

KitchenAid®

CHARCOAL OUTDOOR GRILL

Installation Instructions and Use & Care Guide

For questions about features, operation/performance, parts, accessories or service, call: **1-877-373-2301**
or visit our website at **www.Kitchenaidgrills.com**

Languages spoken: English, French, Spanish 8 a.m.-5 p.m., PST. Monday-Friday.

GRIL À CHARBON POUR EXTÉRIEUR

Instructions d'installation et Guide d'utilisation et d'entretien

Pour des questions à propos des caractéristiques, du fonctionnement/rendement, des pièces, des accessoires ou du service,
composer le: **1-877-373-2301**

ou visiter notre site web **www.Kitchenaidgrills.com**

Langues parlées: anglais, français, espagnol entre 8 h et 17 h, HNP, du lundi au vendredi.

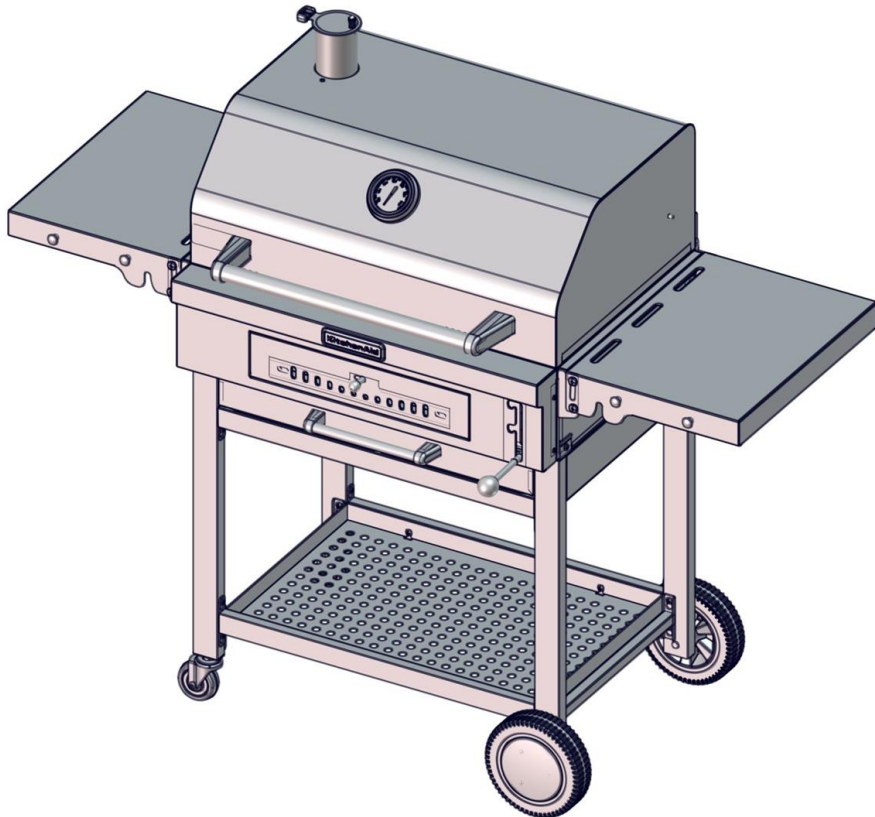
PARRILLA DE CARBÓN PARA EXTERIORES

Instrucciones de instalación y Manual de uso y cuidado

Para consultas respecto a características, funcionamiento, rendimiento, piezas, accesorios o servicio técnico, llame al: **1-877-373-2301**
o visite nuestro sitio de internet en **www.Kitchenaidgrills.com**

Lenguajes hablados: Ingles, Frances y Espanol de 8 a.m.-5 p.m., PST. Lunes-Viernes.

Table of Contents/Table des matières/Índice..... 2



Keep this manual for future reference.

Conserver ce manuel à titre de référence ultérieure.

Conserve el presente manual para consultas futuras.

810-0021

19000449A4

TABLE OF CONTENTS

OUTDOOR GRILL SAFETY	3	Using Your Outdoor Grill	25
PACKAGE PARTS LIST	4	TIPS FOR OUTDOOR GRILLING	26
ASSEMBLY INSTRUCTIONS	9	OUTDOOR GRILL CARE	27
INSTALLATION REQUIREMENTS	24	General Cleaning	27
Location Requirements.....	24	ASSISTANCE	27
Product Dimensions.....	24	WARRANTY	28
OUTDOOR GRILL USE	25	REPLACEMENT PARTS	44

TABLE DES MATIÈRES

SÉCURITÉ DU GRIL D'EXTÉRIEUR	30	Utilisation du gril d'extérieur	32
LISTE DES PIÈCES DE L'EMBALLAGE	4	CONSEILS POUR L'UTILISATION DU GRIL	
CONSIGNES POUR L'ASSEMBLAGE	9	D'EXTÉRIEUR	33
EXIGENCES D'INSTALLATION	31	ENTRETIEN DU GRIL D'EXTÉRIEUR	34
Exigences d'emplacement	31	Nettoyage général	34
Dimensions du Produit	31	ASSISTANCE	34
UTILISATION DU GRIL D'EXTÉRIEUR	32	GARANTIE	35
		PIÈCES DE RECHANGE	44

ÍNDICE

SEGURIDAD DEL ASADOR PARA EXTERIORES	37	Cómo usar el asador para exteriores	39
LISTA DE CONTENIDO DEL PAQUETE	4	CONSEJOS PARA ASAR AL AIRE LIBRE	40
INSTRUCCION DE MONTAJE	9	CUIDADO DEL ASADOR PARA EXTERIORES	41
REQUISITOS DE INSTALACIÓN	38	Limpieza general	41
Requisitos de ubicación	38	ASISTENCIA	41
Medidas del producto	38	GARANTÍA	42
USO DEL ASADOR PARA EXTERIORES	39	PIEZAS DE REPUESTO	44

OUTDOOR GRILL SAFETY

Your safety and the safety of others are very important.

We have provided many important safety messages in this manual and on your appliance. Always read and obey all safety messages.



This is the safety alert symbol.

This symbol alerts you to potential hazards that can kill or hurt you and others.

All safety messages will follow the safety alert symbol and either the word "DANGER" or "WARNING."

These words mean:

 **DANGER**

You can be killed or seriously injured if you don't immediately follow instructions.

 **WARNING**

You can be killed or seriously injured if you don't follow instructions.

All safety messages will tell you what the potential hazard is, tell you how to reduce the chance of injury, and tell you what can happen if the instructions are not followed.



CALIFORNIA RESIDENTS ONLY - WARNING:

This product and the fuels used to operate this product (charcoal or wood), and the products of combustion of such fuels, can expose you to chemicals including carbon black, which is known to the state of California to cause cancer, and carbon monoxide, which is known to the State of California to cause birth defects or other reproductive harm.

For more information go to: www.P65Warnings.ca.gov.

IMPORTANT SAFETY INSTRUCTIONS

IMPORTANT: To reduce the risk of fire, injury to persons, or damage when using the outdoor cooking appliance, follow basic precautions, including the following:

- Do not install portable or built-in outdoor cooking appliances in or on a recreational vehicle, portable trailer, boat, or in any other moving installation.
- Always maintain minimum clearances from combustible construction, see "Locations Requirements" section.
- The outdoor cooking appliance shall not be located under overhead unprotected combustible construction.
- This outdoor cooking appliance shall be used only outdoors and shall not be used in a building, garage, or any other enclosed area.
- Keep outdoor cooking appliance clear and free from combustible materials, gasoline or other flammable vapors or liquids.
- This grill will become very hot while in use. Do not move it during operation.
- Do not use spirit, petrol or comparable fluids for lighting or re-lighting.
- This product is not to be used as a heater.
- Grill is to be used on a stable, level, non-flammable surface such as asphalt, concrete or solid ground. Do not use this grill on flammable material such as carpet or a wood deck.
- Do not use this product in a manner other than its intended purpose.
- Do not leave the grill unattended while in use.
- Do not leave hot ashes unattended until the grill cools completely.
- Do not move the grill while in use or while ashes are still hot. Allow the grill to cool completely before moving or storing.
- Dispose of cold ashes by placing in a noncombustible container. Make sure that there are no other combustible materials in or near the container.

SAVE THESE INSTRUCTIONS

Package Parts List
Liste des pièces de l'emballage
Lista de contenido del paquete

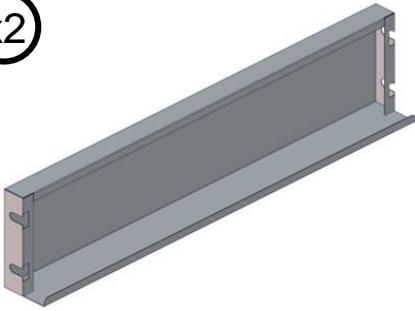
1



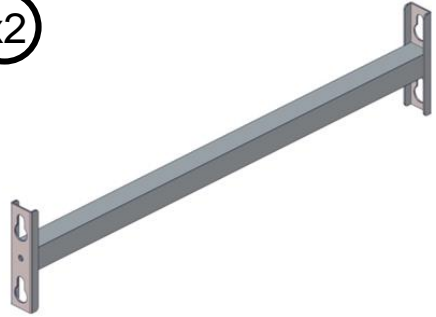
2



3 (x2)



4 (x2)



5



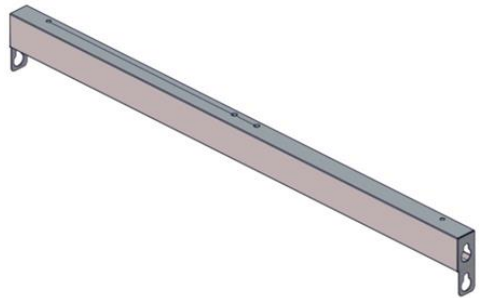
6



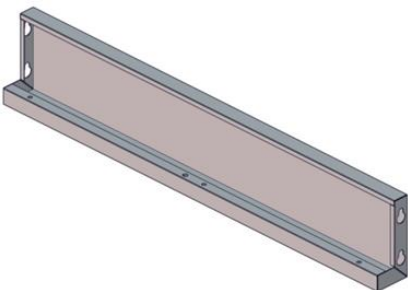
7 (x2)



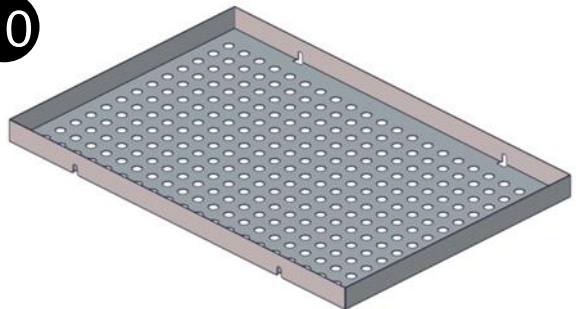
8



9



10

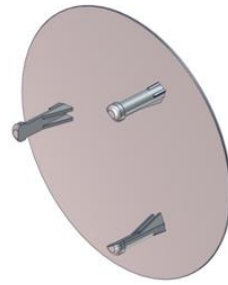


Package Parts List
Liste des pièces de l'emballage
Lista de contenido del paquete

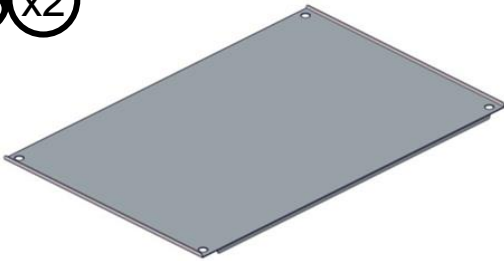
11 x2



12 x2



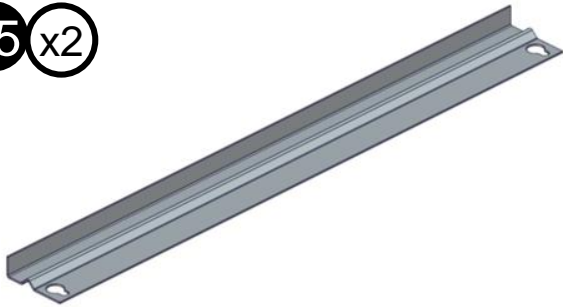
13 x2



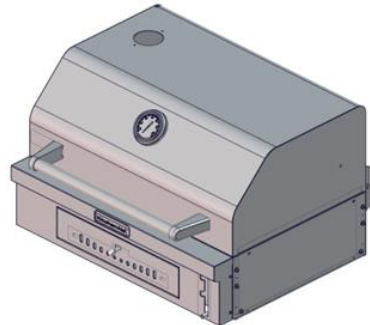
14



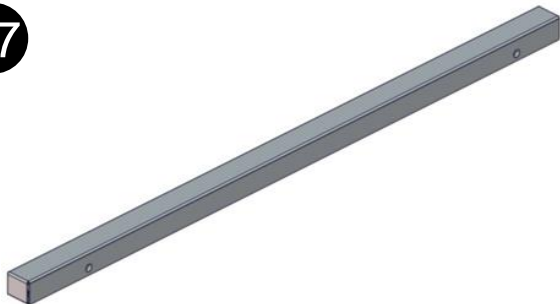
15 x2



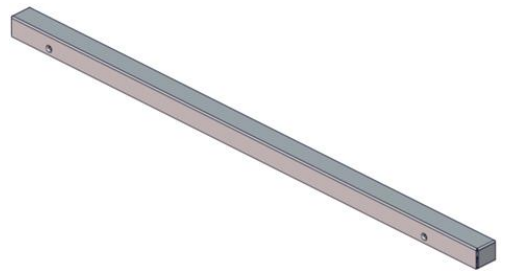
16



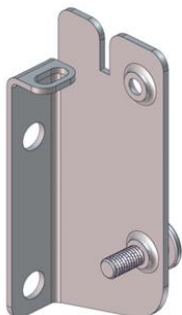
17



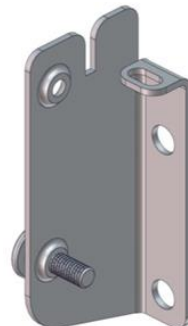
18



19 x2

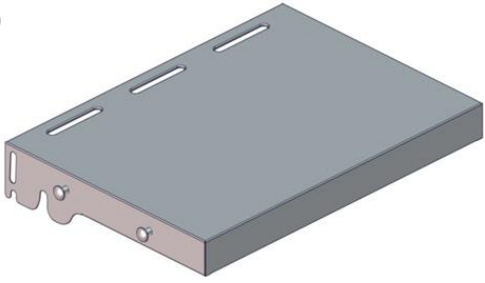


20 x2

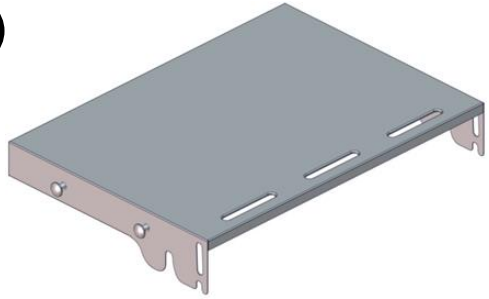


Package Parts List
Liste des pièces de l'emballage
Lista de contenido del paquete

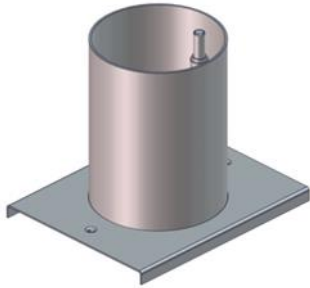
21



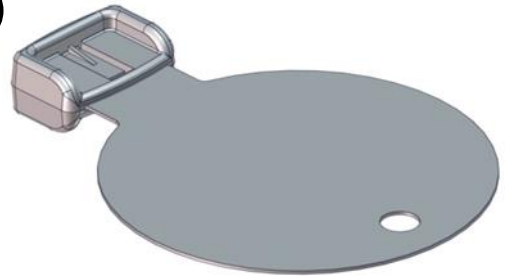
22



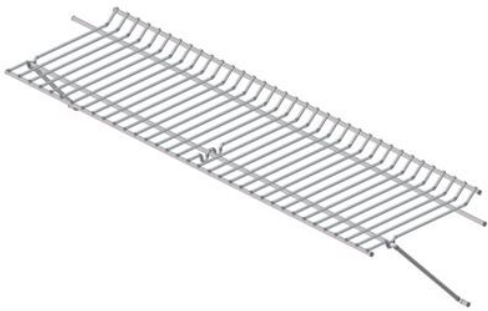
23



24



25



26



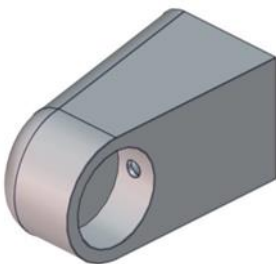
27 x3



28



29 x2

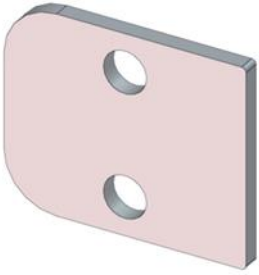


30

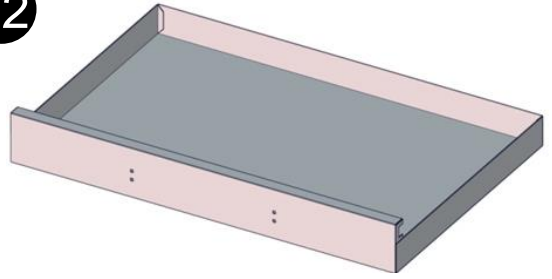


Package Parts List
Liste des pièces de l'emballage
Lista de contenido del paquete

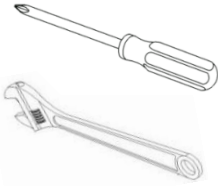
31 x2



32



Tools Needed / Outillage Requis / Herramientas necesarias



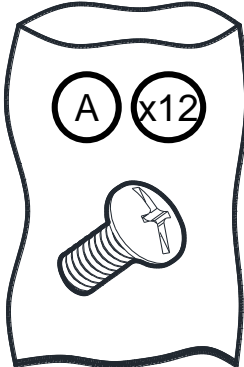
Some parts come with screws pre-installed. Loosen and tighten for final assembly.

Certaines pièces sont livrées avec les vis pré-installées. Desserrez et resserrez pour l'assemblage final.

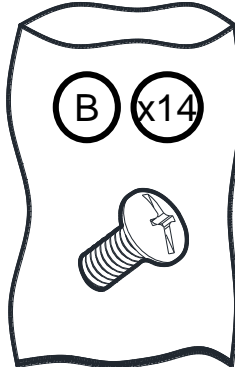
Algunas partes vienen con los tornillos pre instalados. Afloje y apriete para el ensamble final.

**Hardware Package List
Liste des vis de l'emballage
Lista de tornillos del paquete**

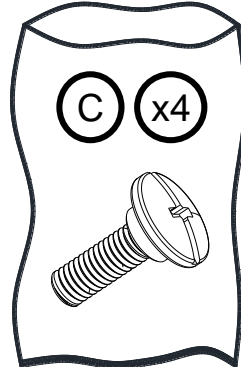
Truss Head Screw
1/4-20 x 3/5"
Vis cruciforme
1/4-20 x 3/5"
Tornillo de cabeza ovalada
1/4-20 x 3/5"



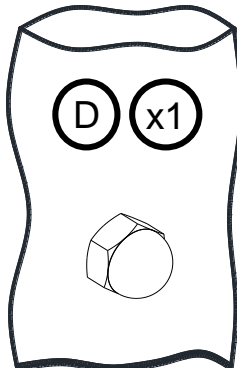
Truss Head Screw
5/32-32 x 2/5"
Vis cruciforme
5/32-32 x 2/5"
Tornillo de cabeza ovalada
5/32-32 x 2/5"



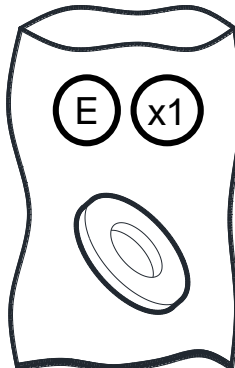
Stage Screw
1/4" x 15mm
Vis à niveau
1/4" x 15mm
Tornillo tira fondo
1/4" x 15mm



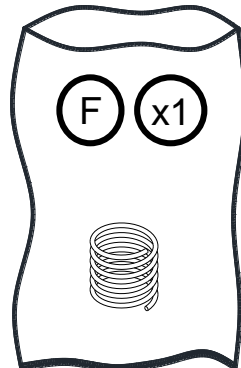
Nut
1/4"-20
Écrou
1/4"-20
Tuerca
1/4"-20



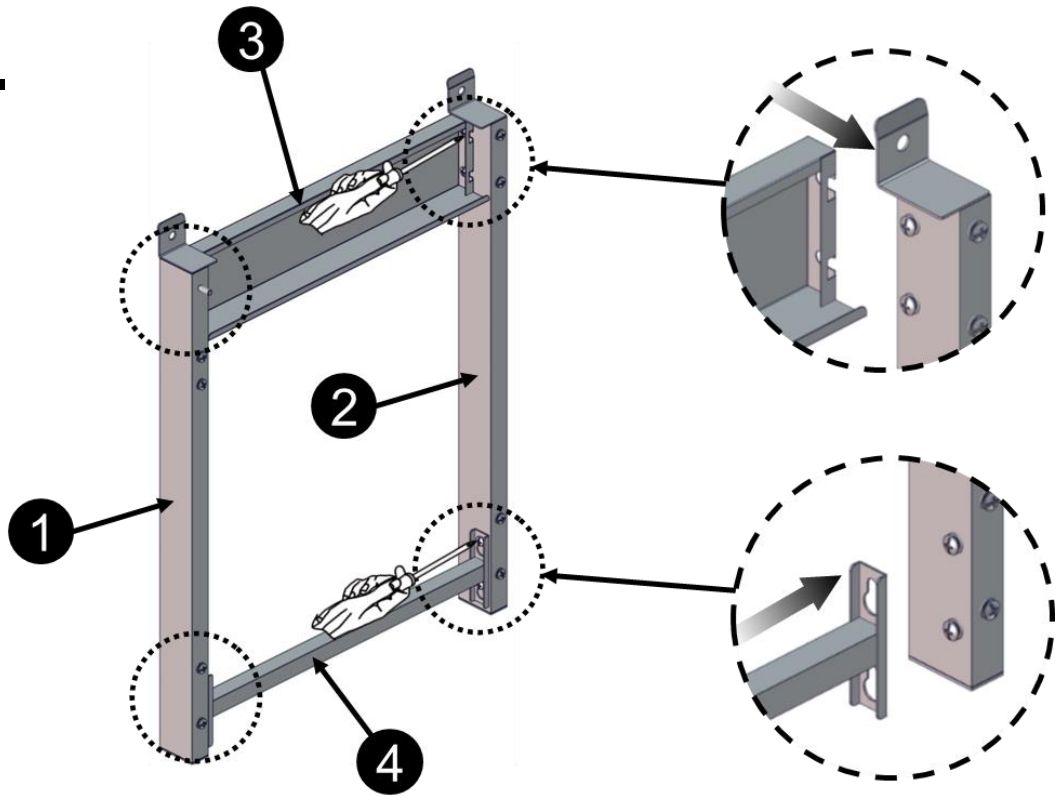
Flat Washer
M6
Rondelle plate
M6
Arandela plana
M6



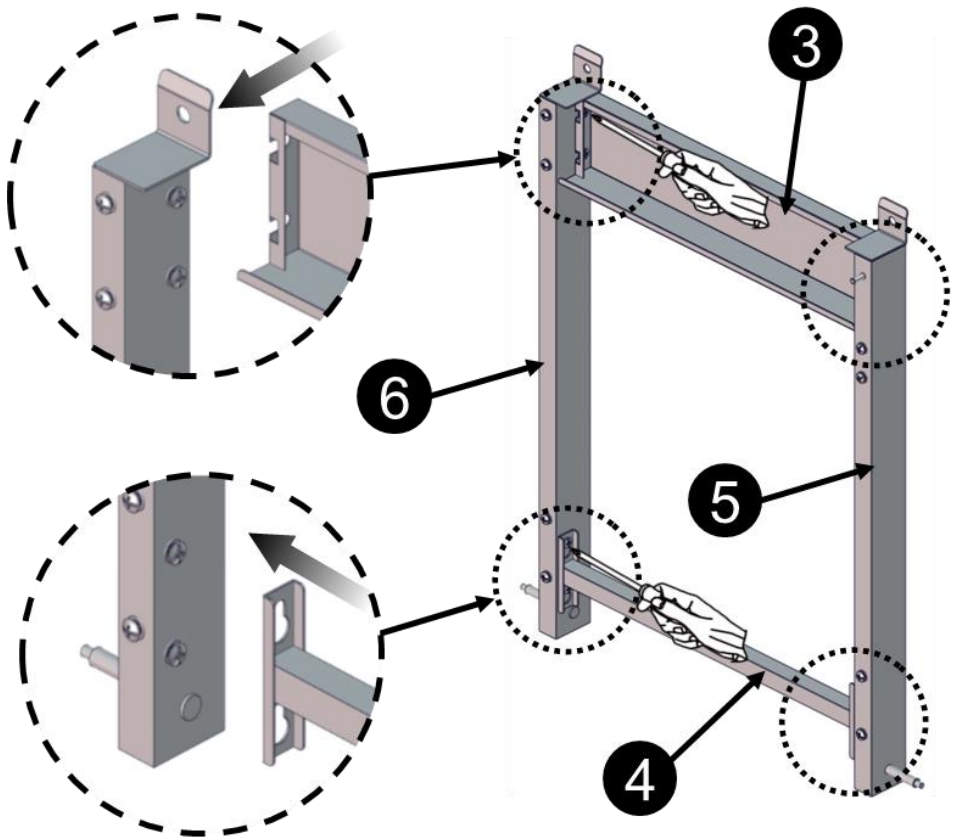
Chimney Lid Spring
Ressort pour haut de la cheminée
Resorte de la tapa de la chimenea



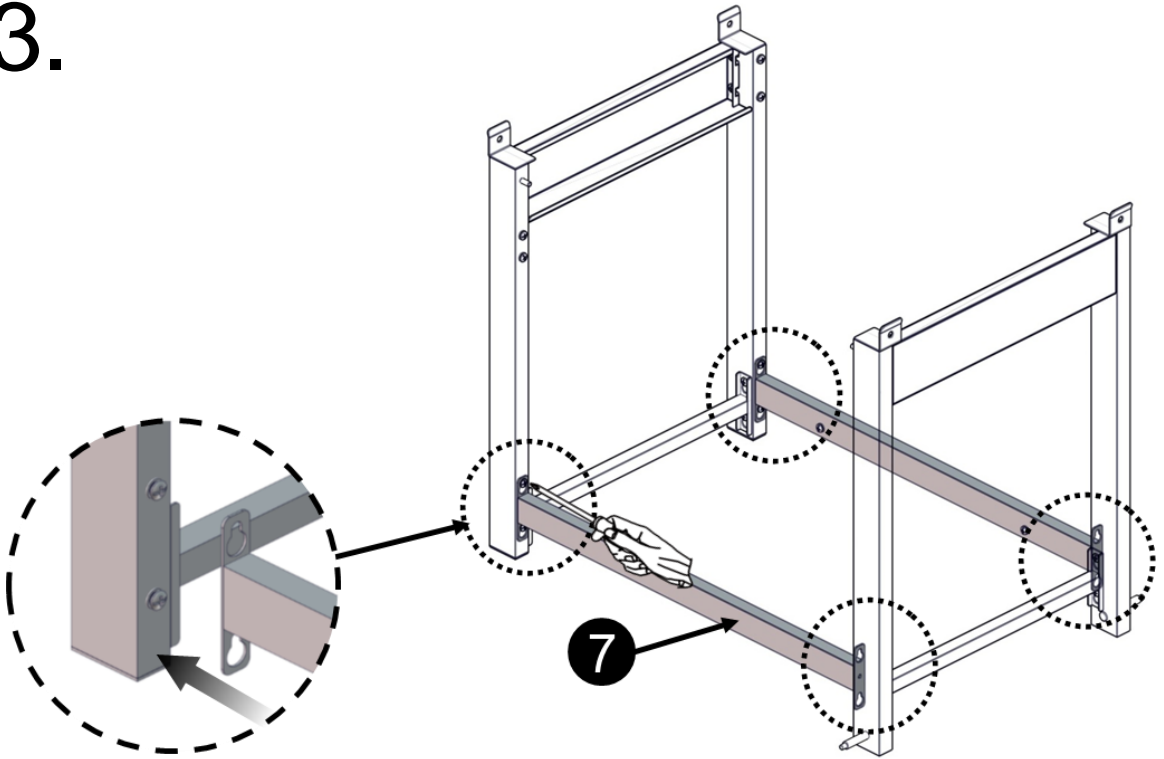
1.



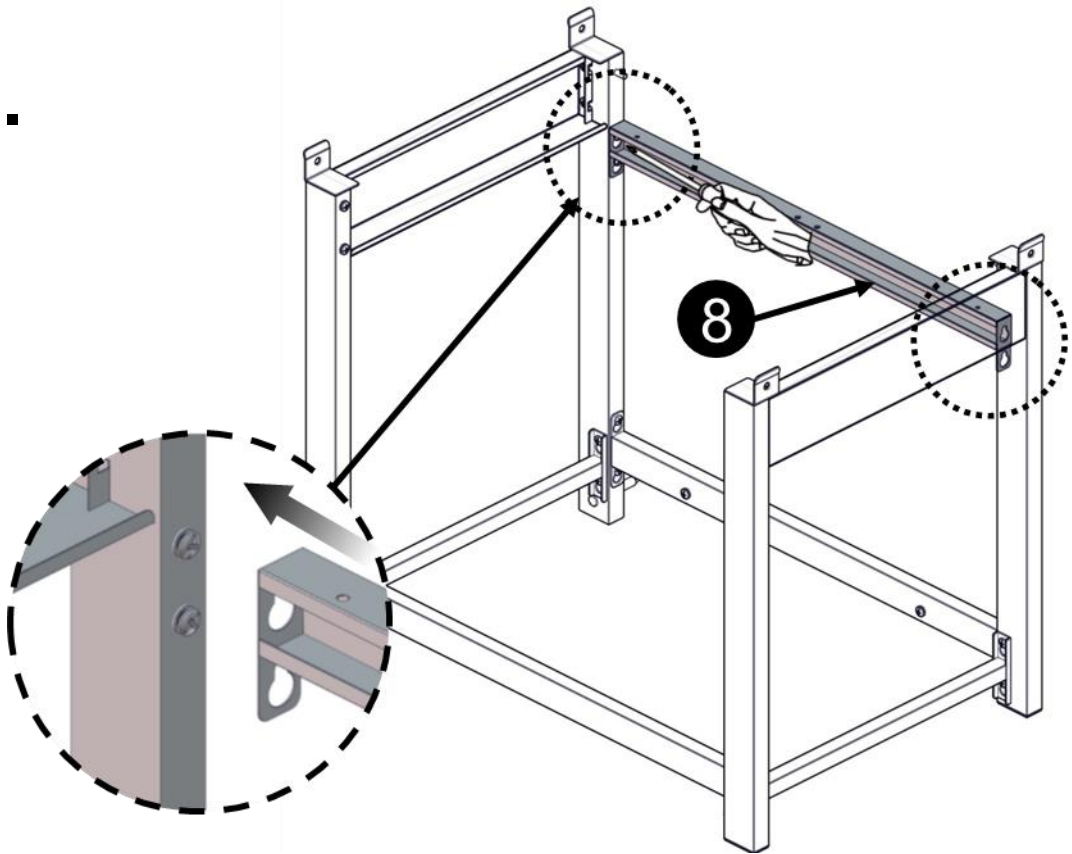
2.



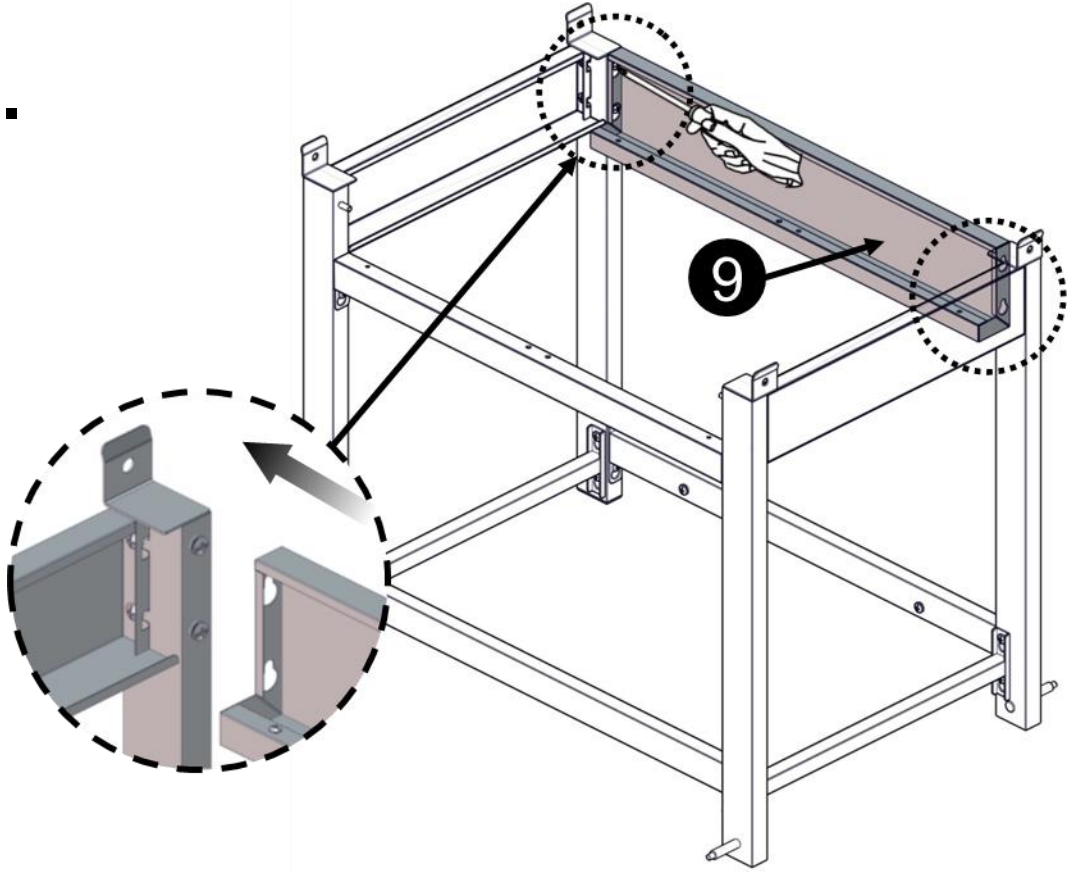
3.



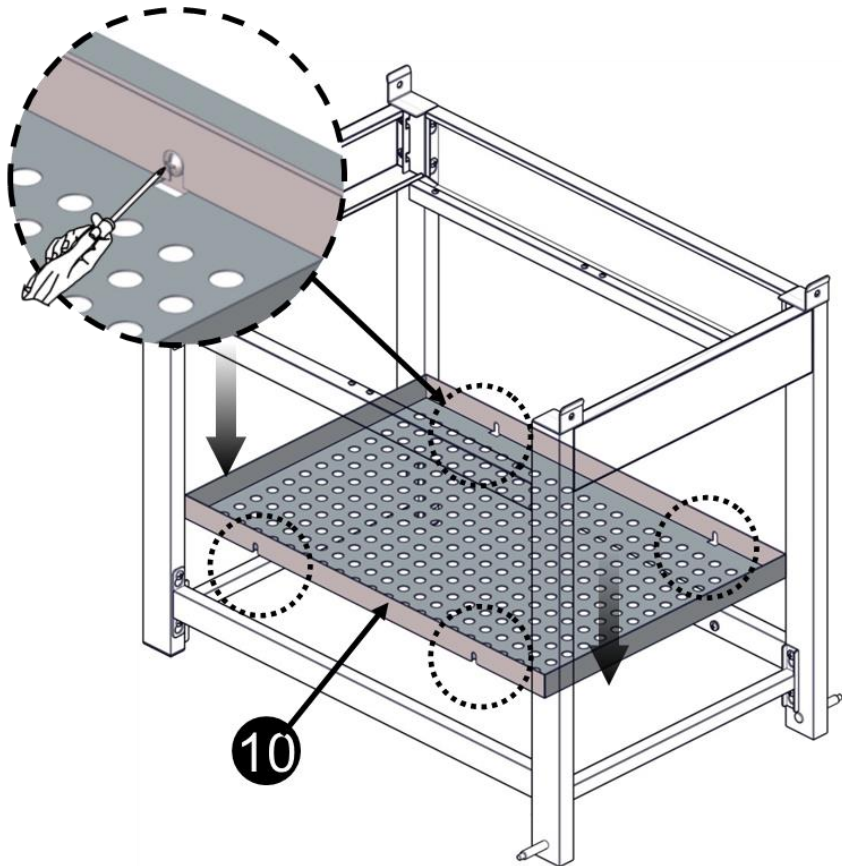
4.



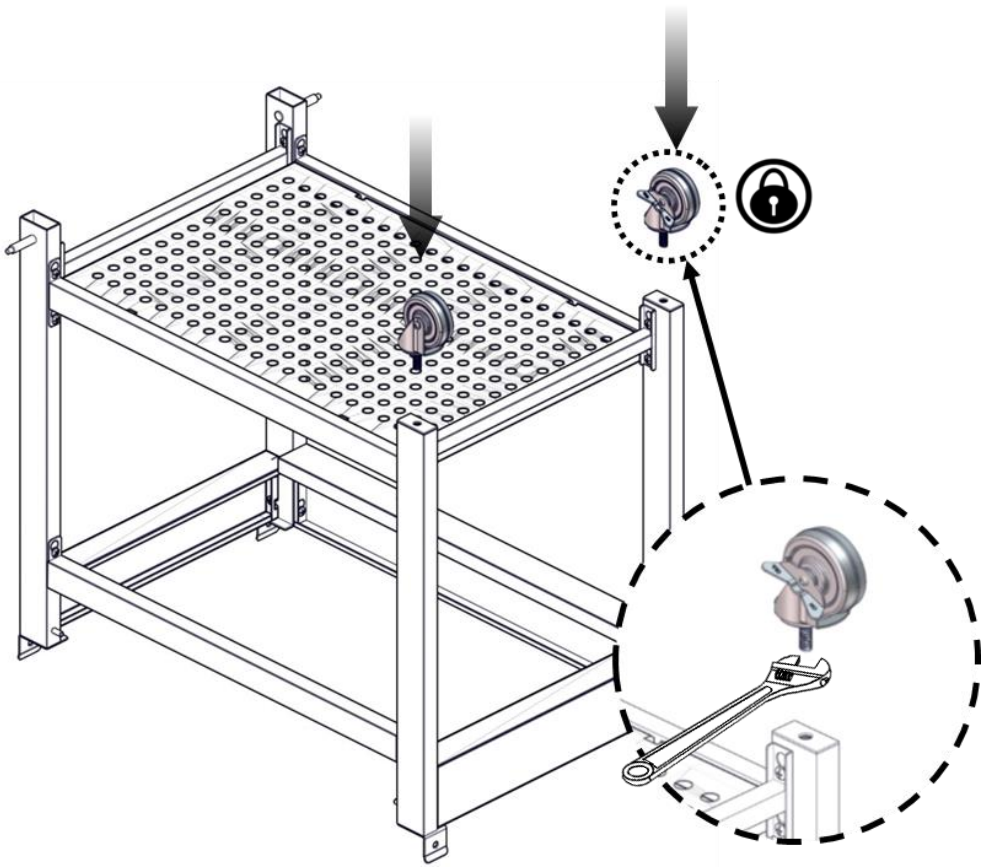
5.



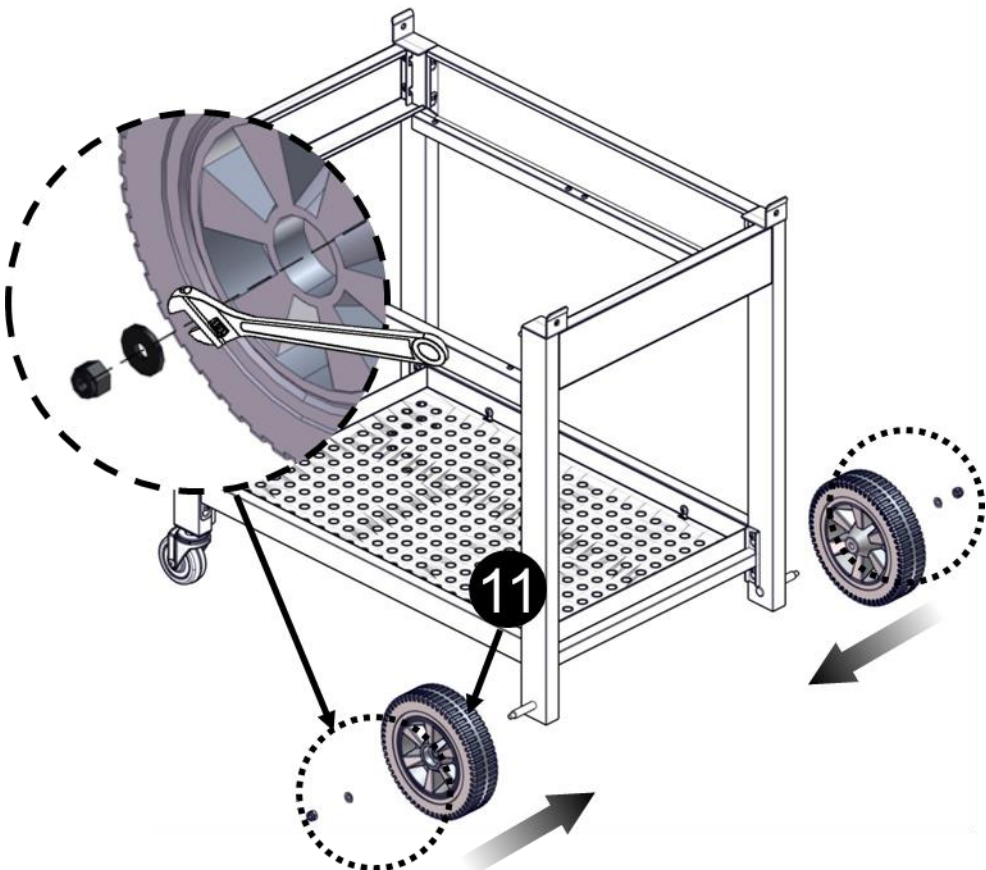
6.



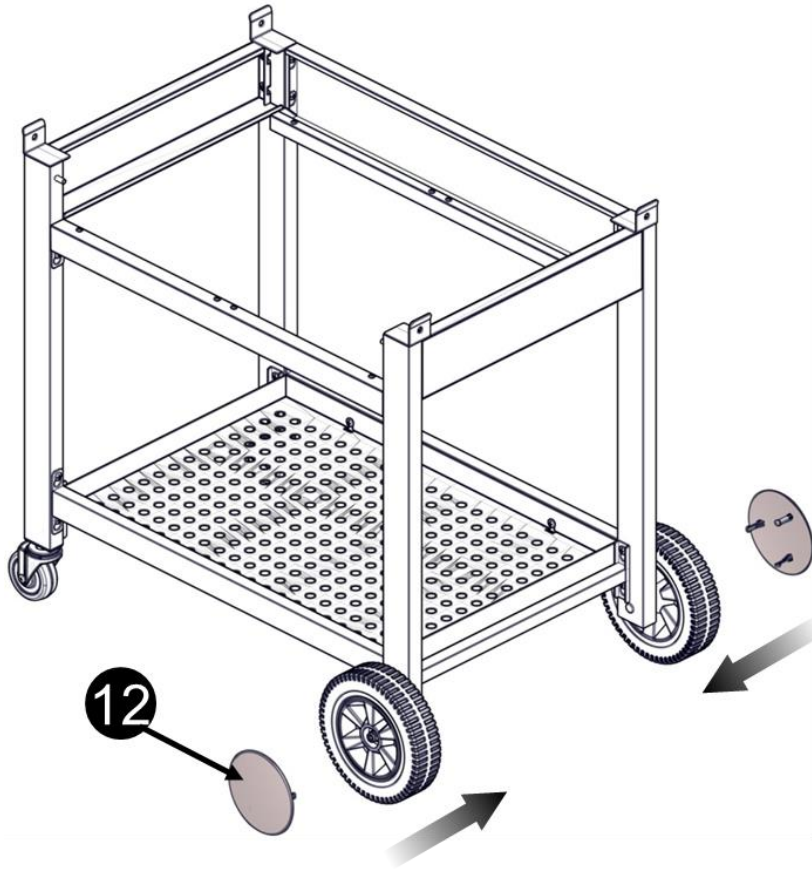
7.



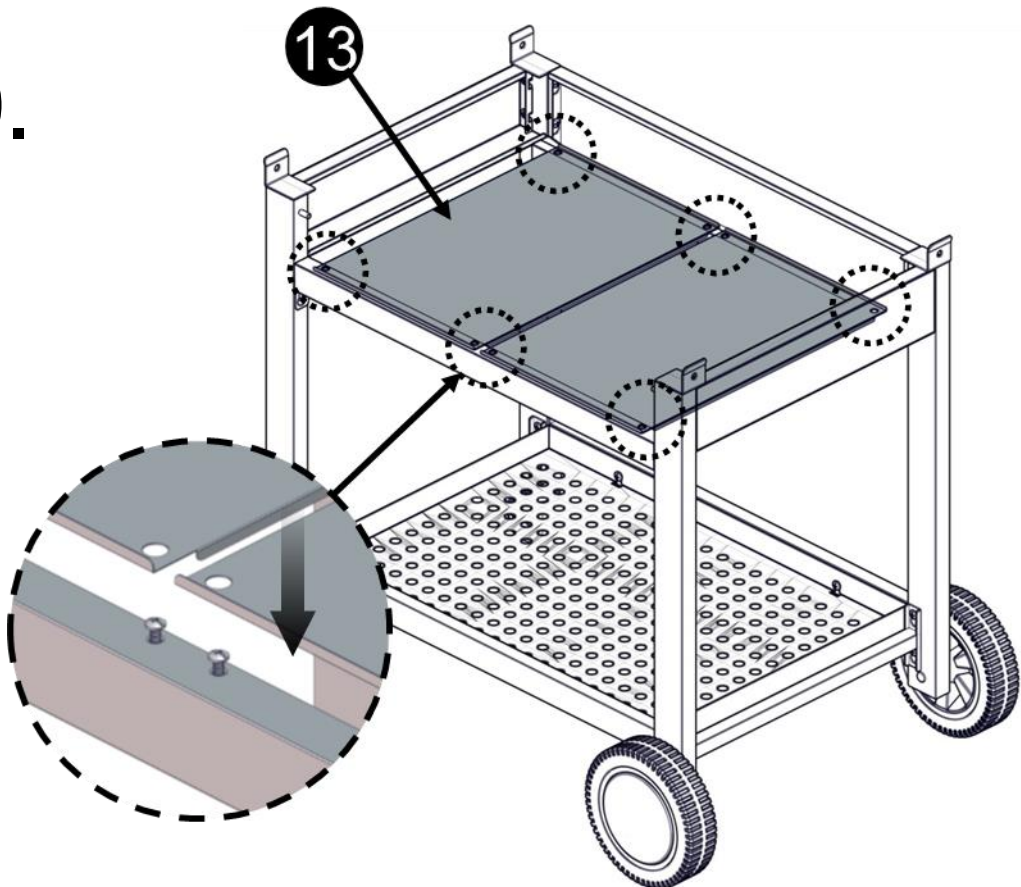
8.



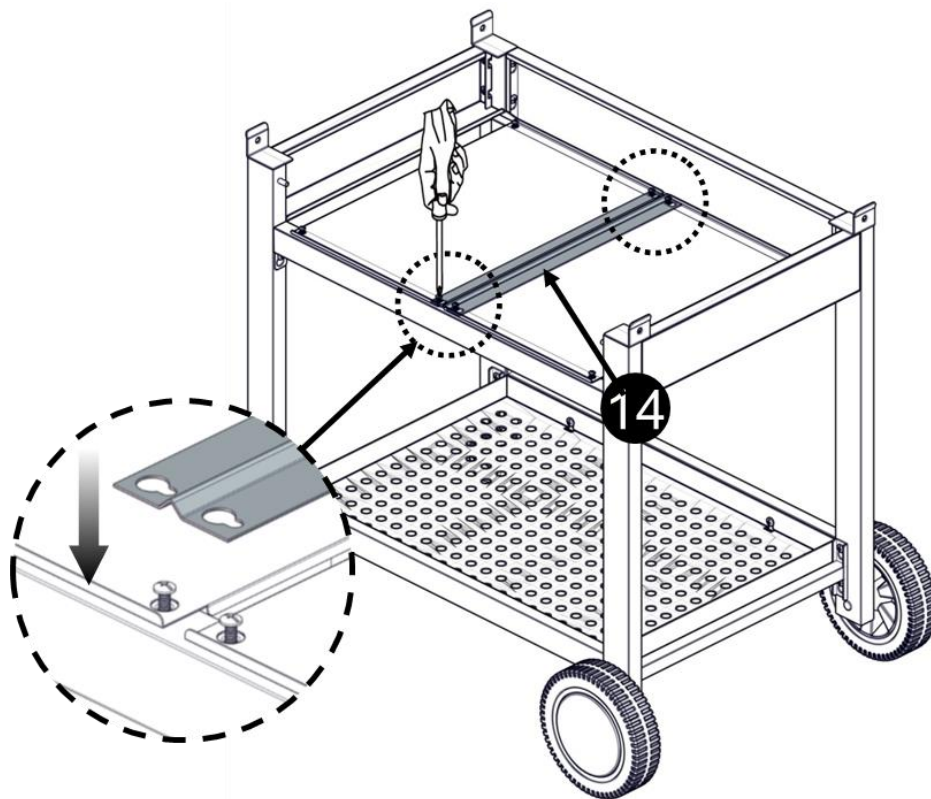
9.



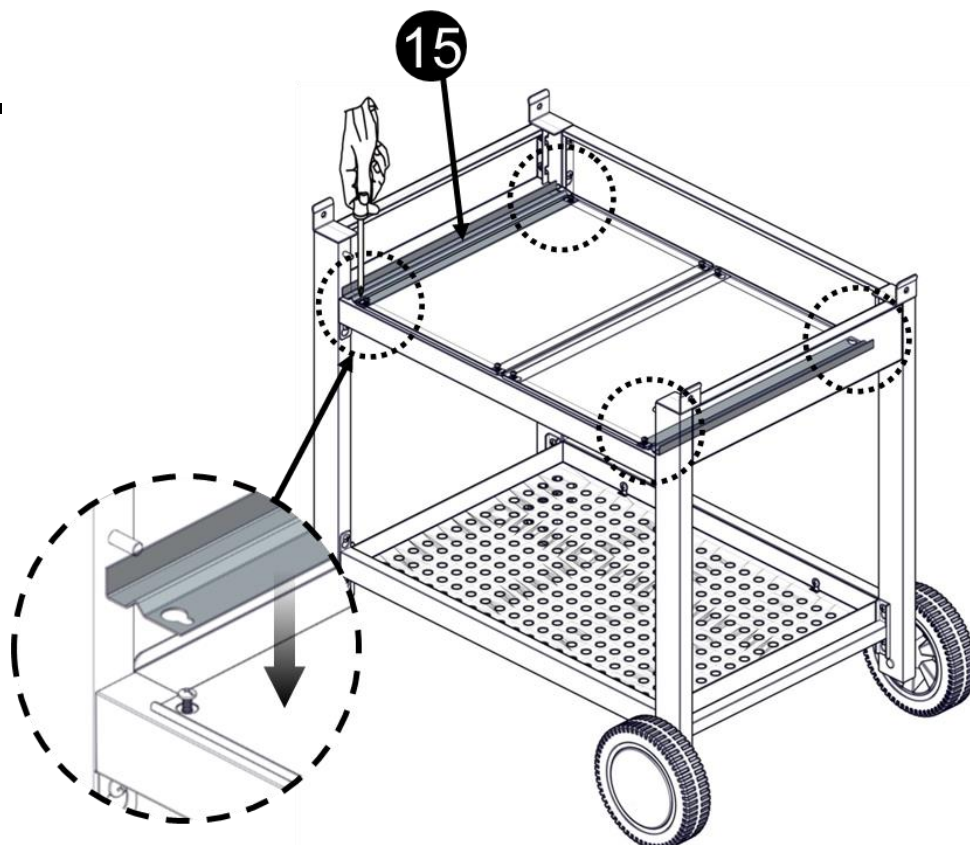
10.



11.



12.



13.



⚠ WARNING

Excessive Weight Hazard

Use two or more people to move and install grill.
Failure to do so can result in back or other injury.

⚠ AVERTISSEMENT

Risque du poids excessif

Utiliser deux ou plus de personnes pour déplacer et installer le grill.

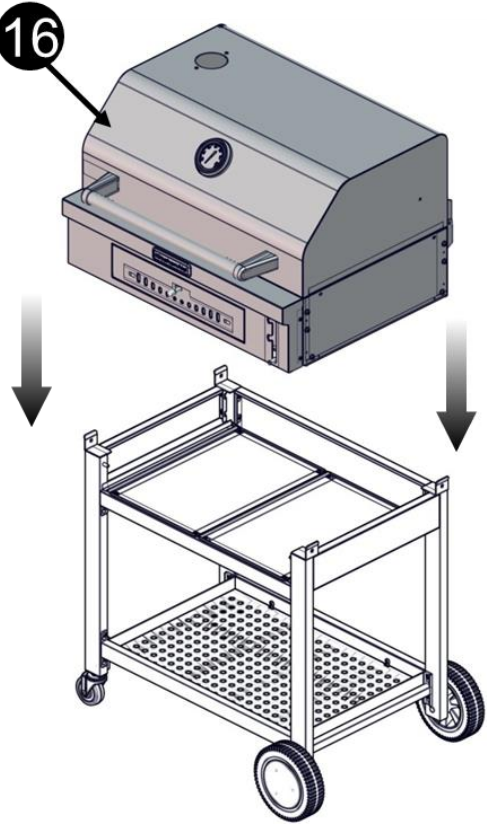
Le non-respect de cette instruction peut causer une blessure au dos ou d'autre blessure.

⚠ ADVERTENCIA

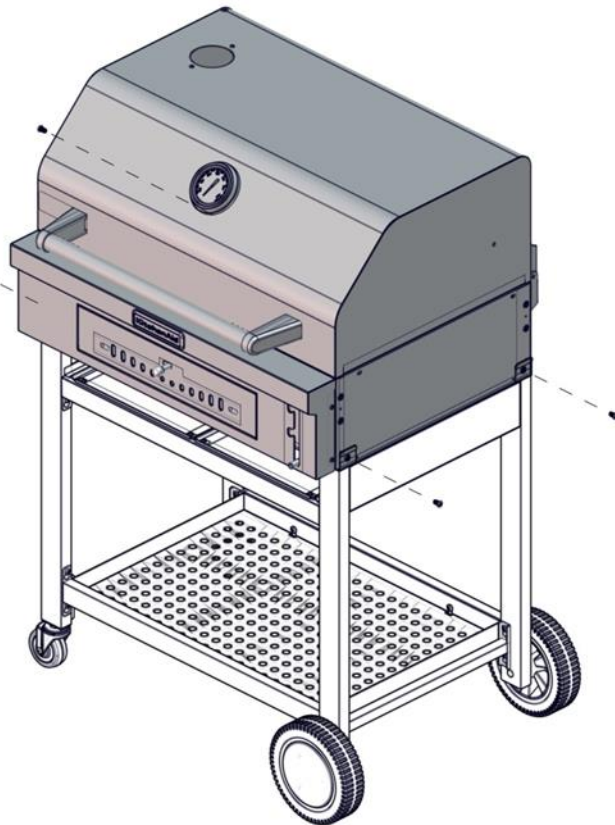
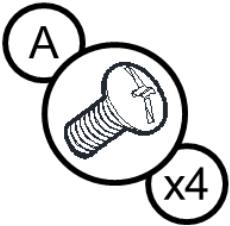
Peligro de Peso Excesivo

Use dos o más personas para mover e instalar el asador.
No seguir esta instrucción puede ocasionar una lesión en la espalda u otro tipo de lesiones.

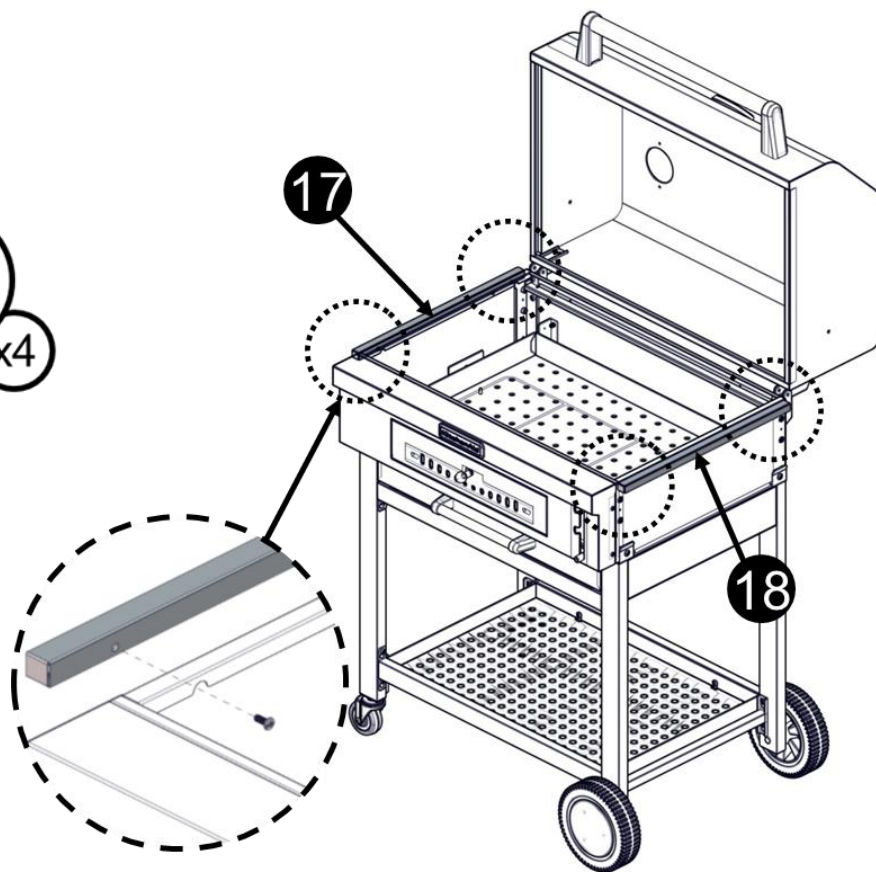
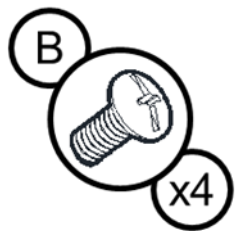
16



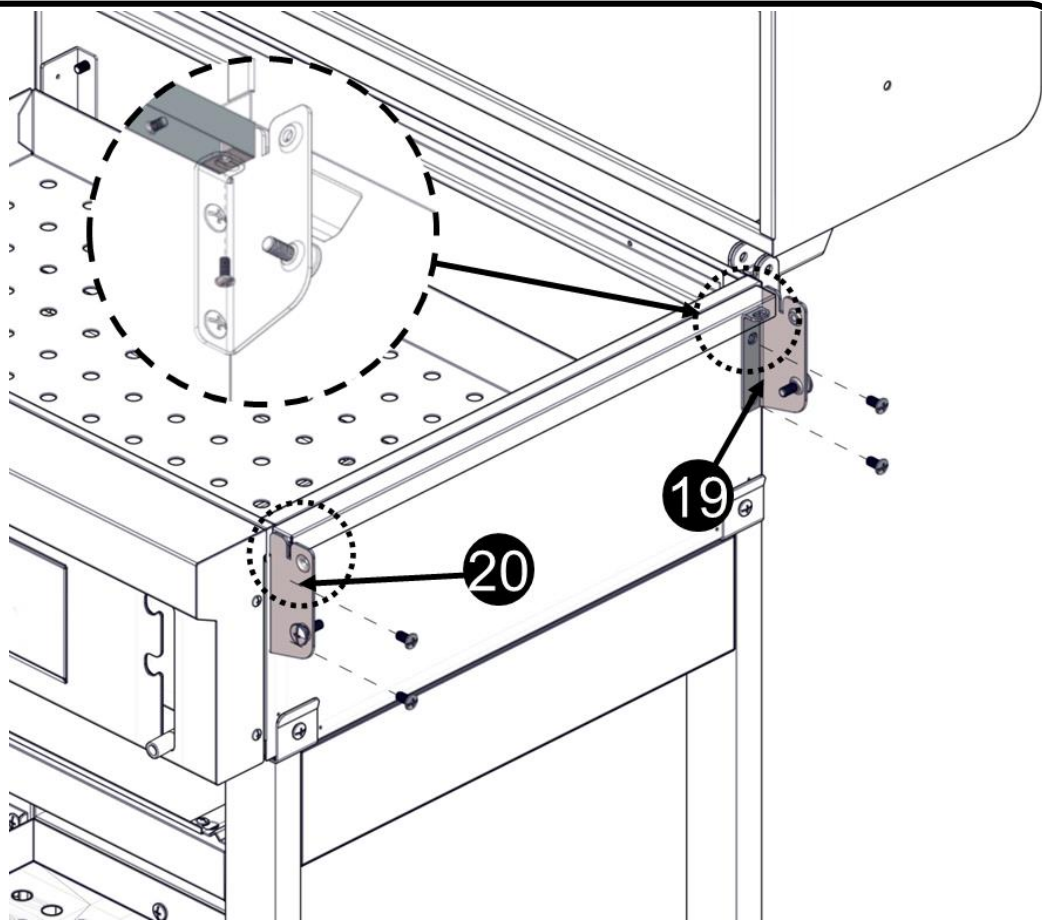
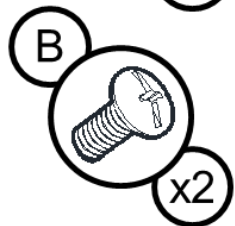
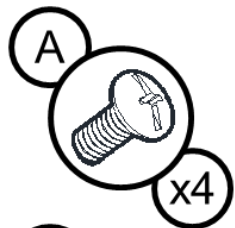
14.



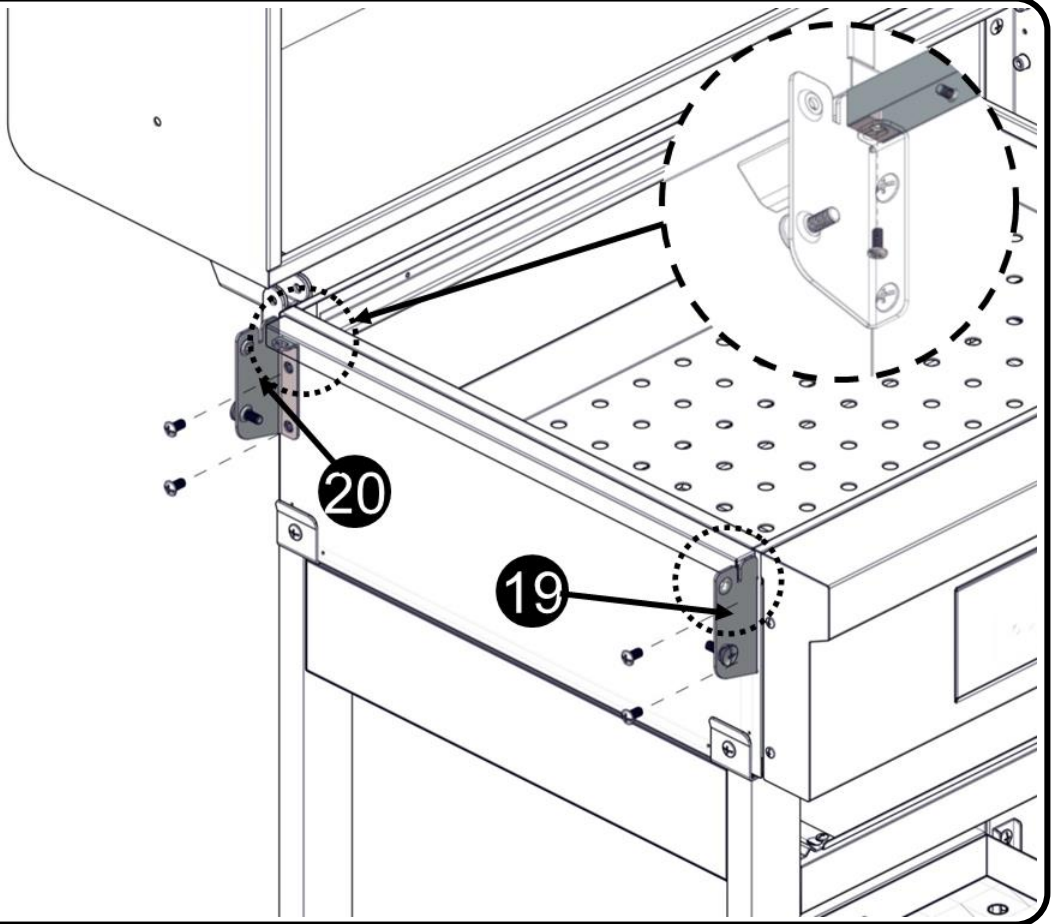
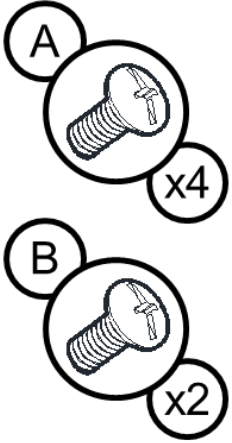
15.



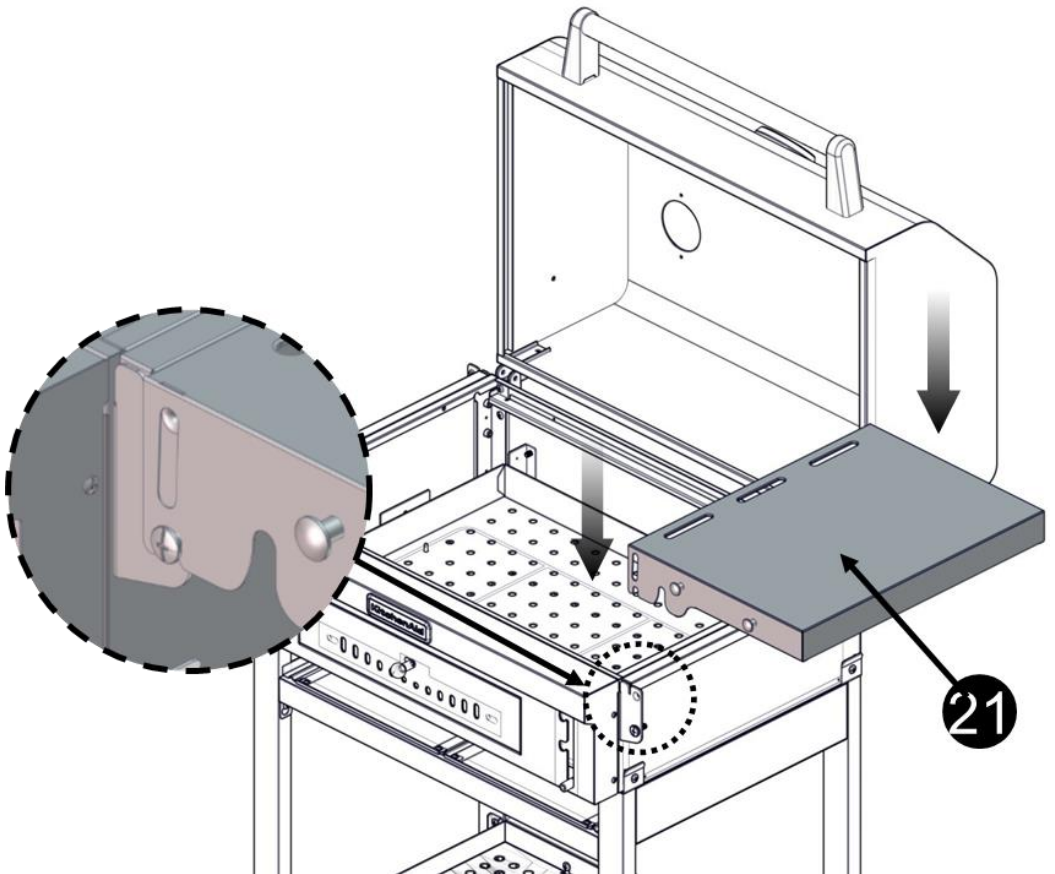
16.



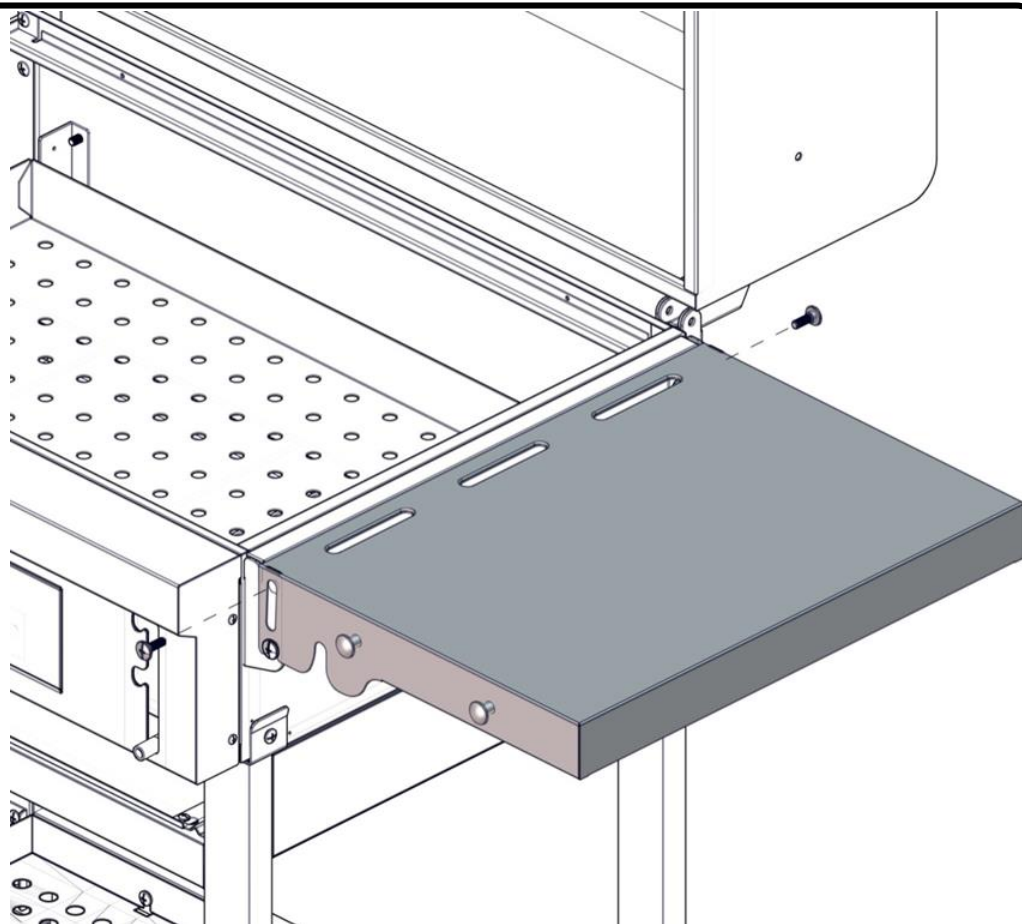
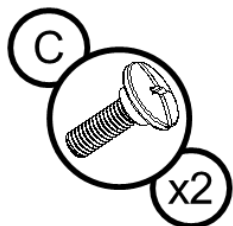
17.



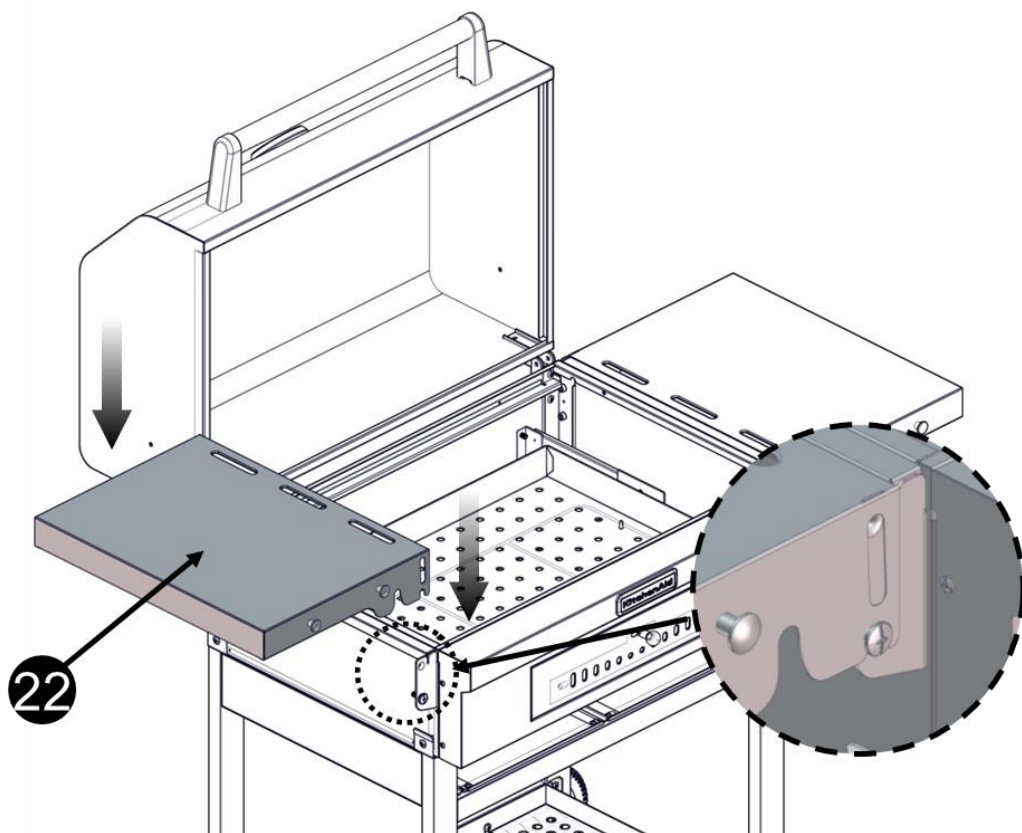
18.



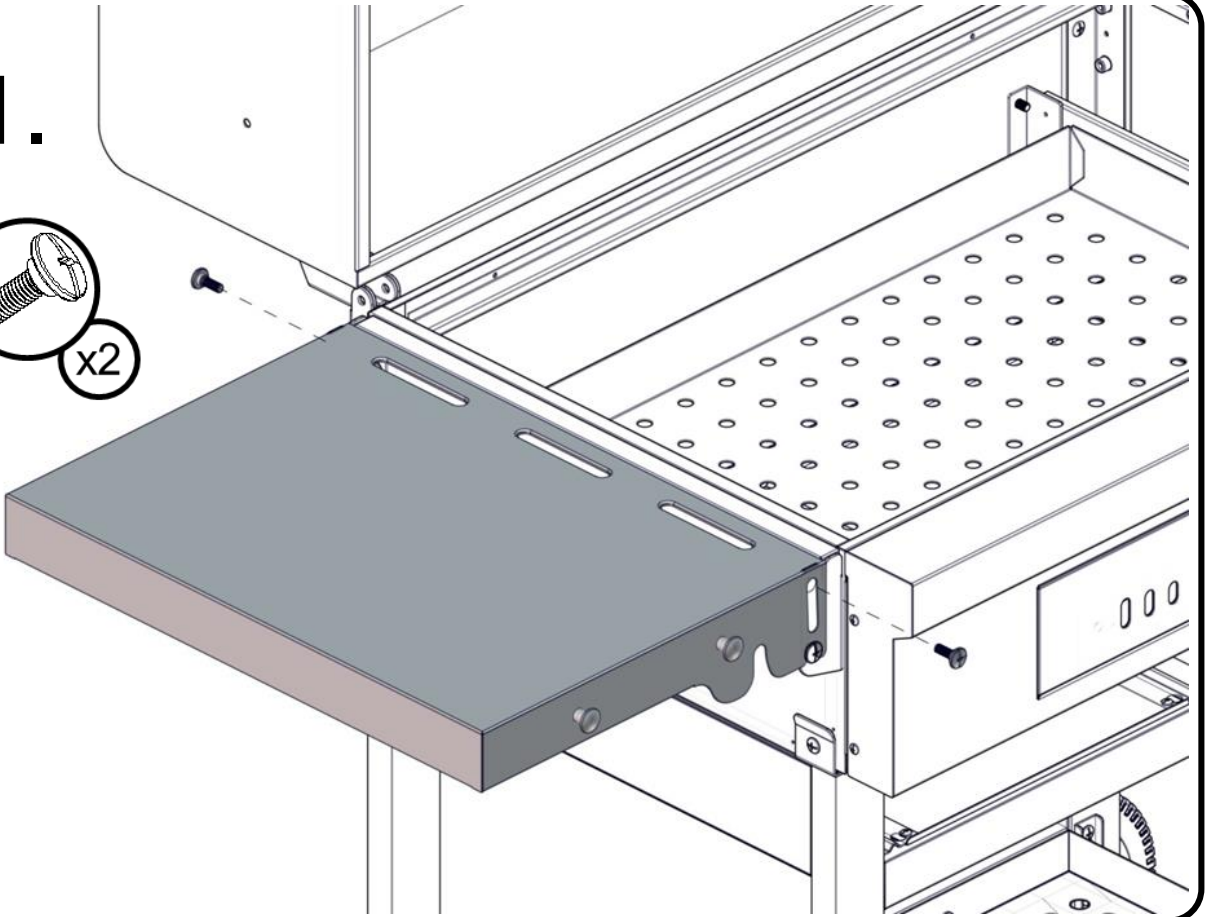
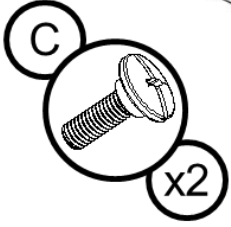
19.



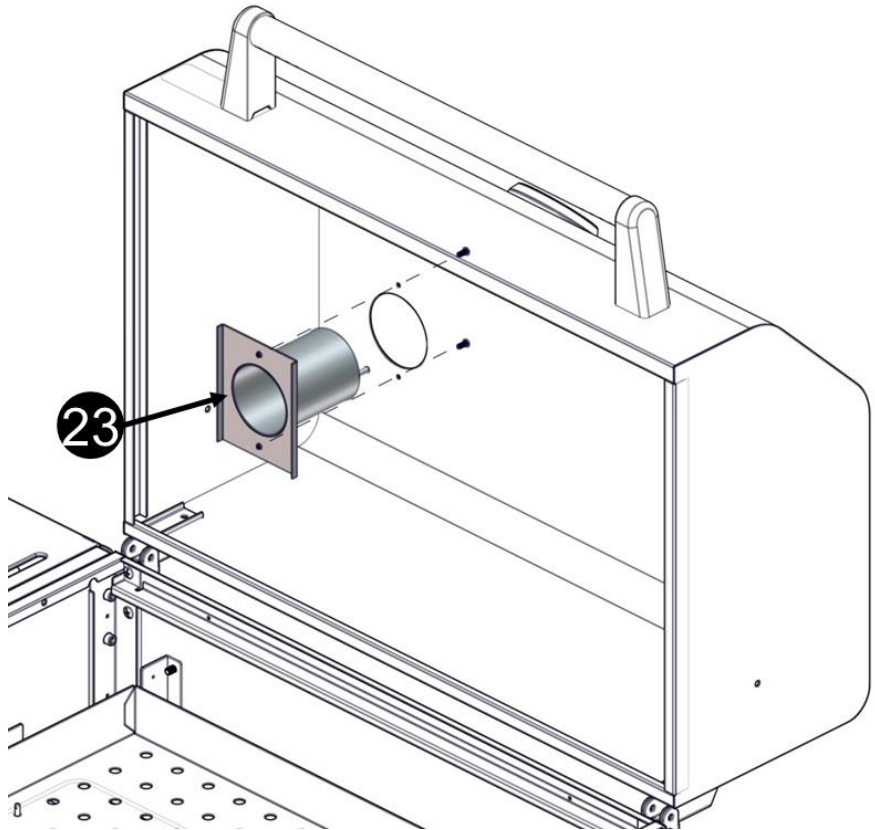
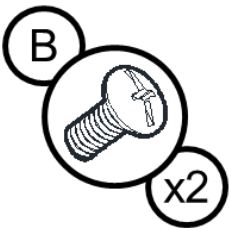
20.



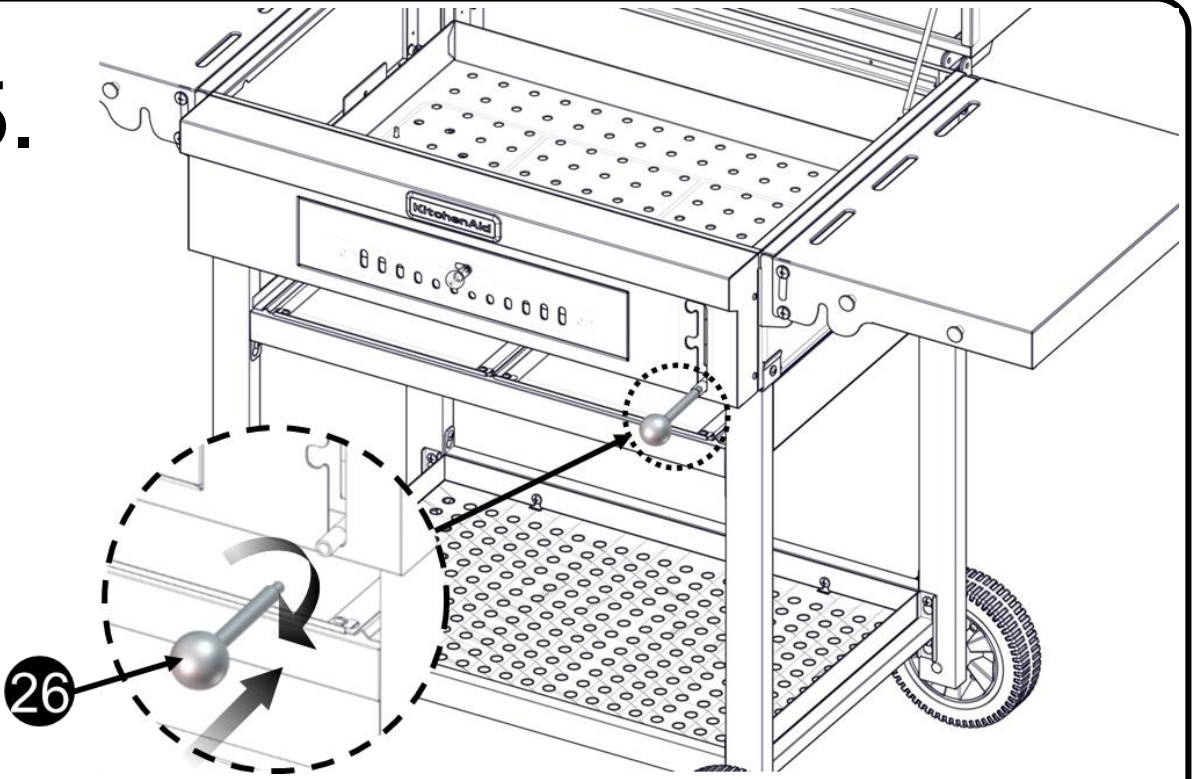
21.



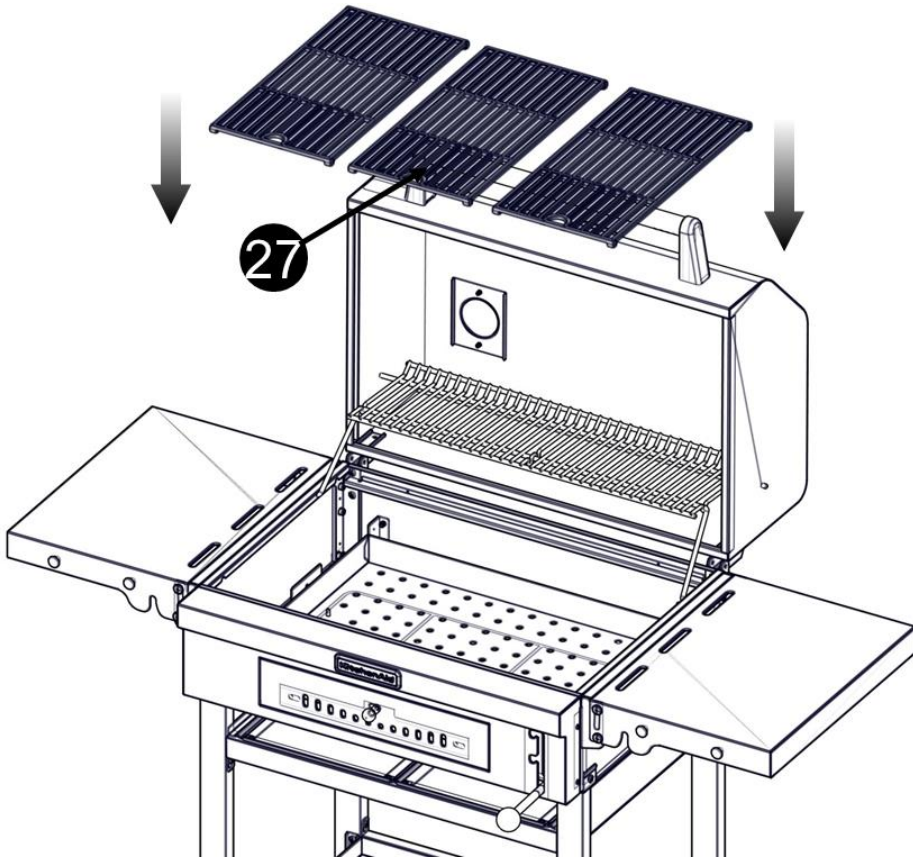
22.



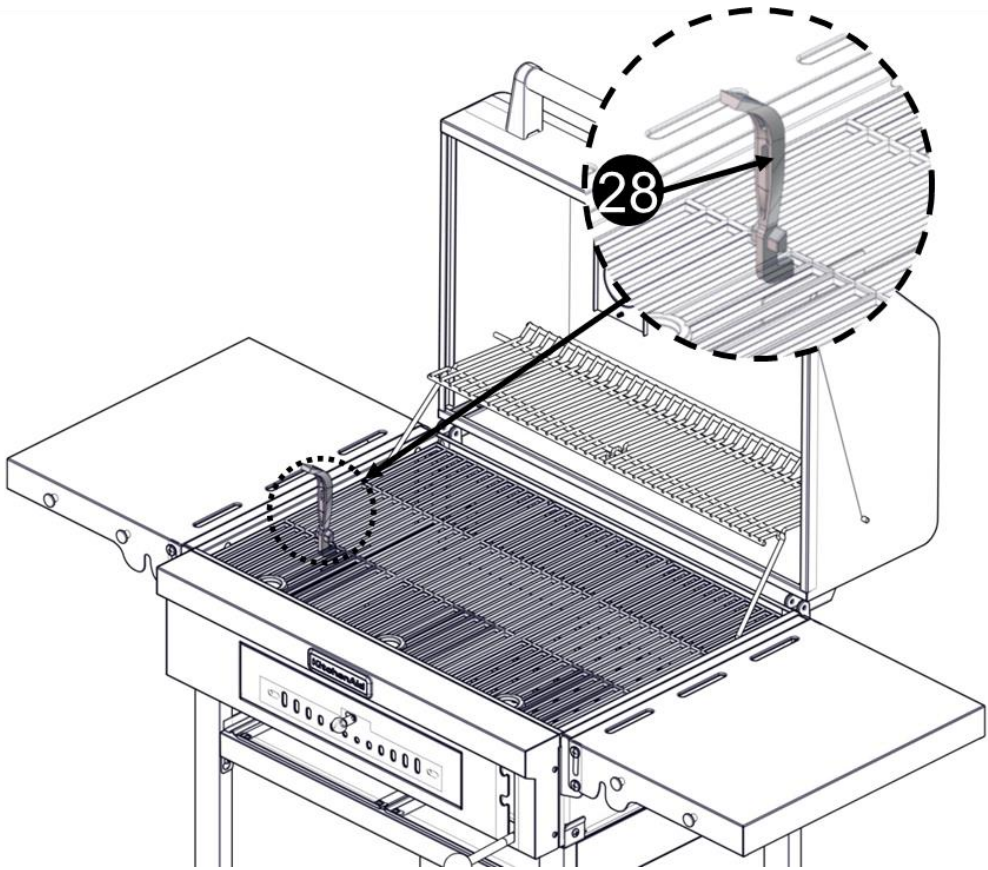
25.



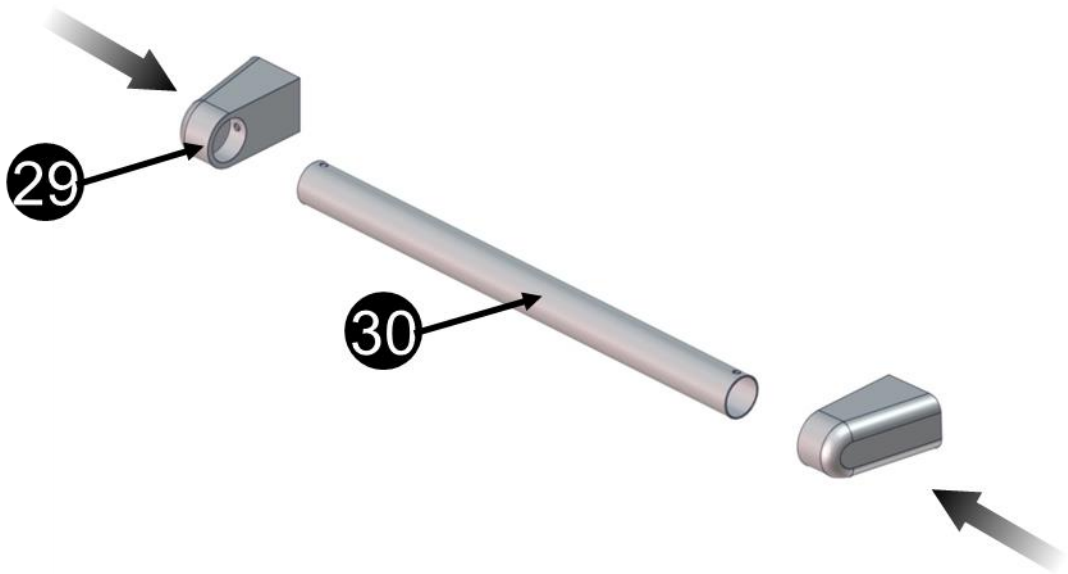
26.



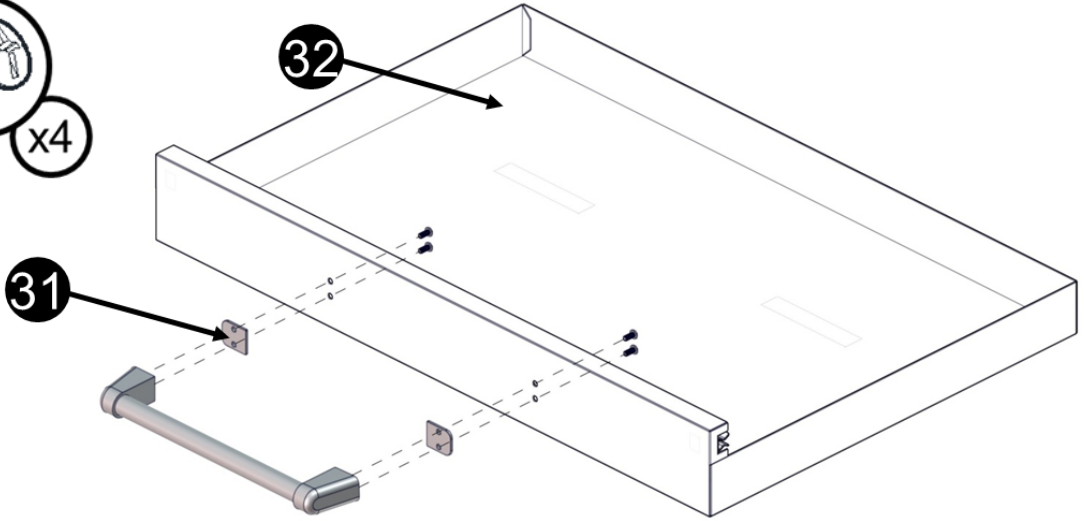
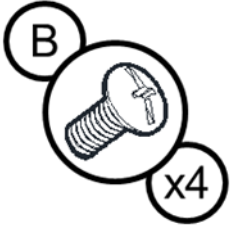
27.



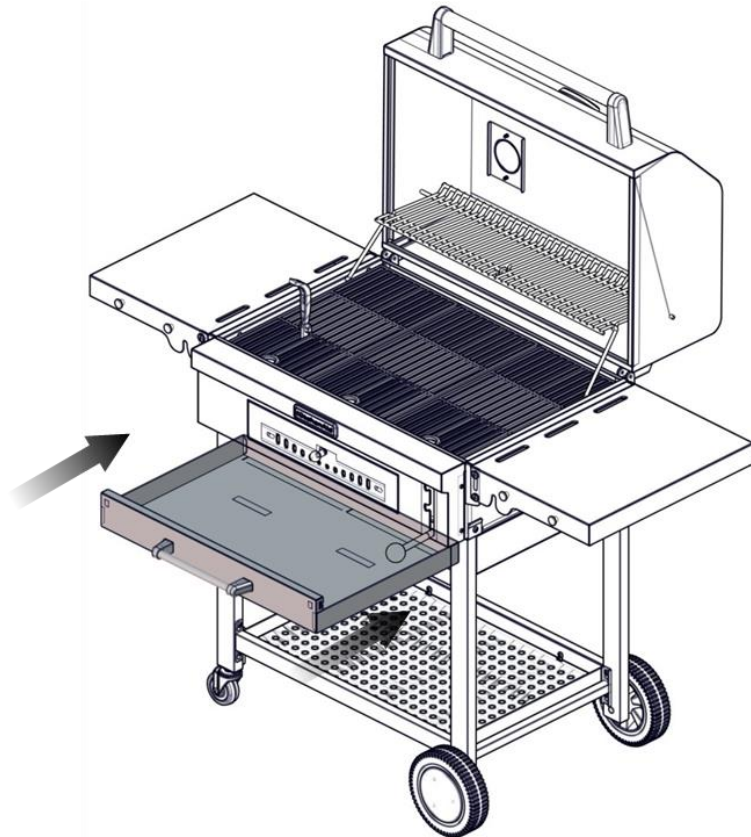
28.



29.



30.



INSTALLATION REQUIREMENTS

Location Requirements

⚠ WARNING

Carbon Monoxide Poisoning Hazard

Do not use charcoal grill in enclosed areas such as garages, tents, or indoors.

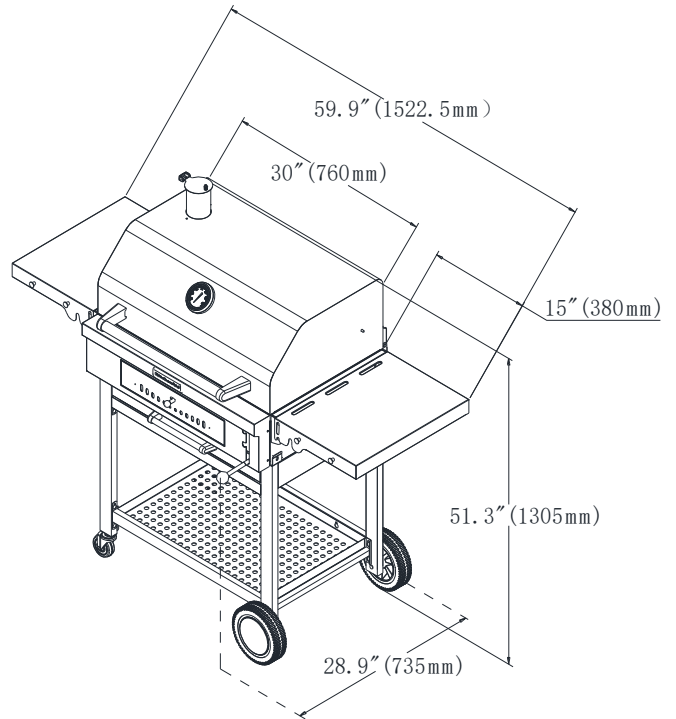
Doing so can result in death or carbon monoxide poisoning.

Select a location that provides minimum exposure to wind and traffic paths. The location should be away from strong draft areas.

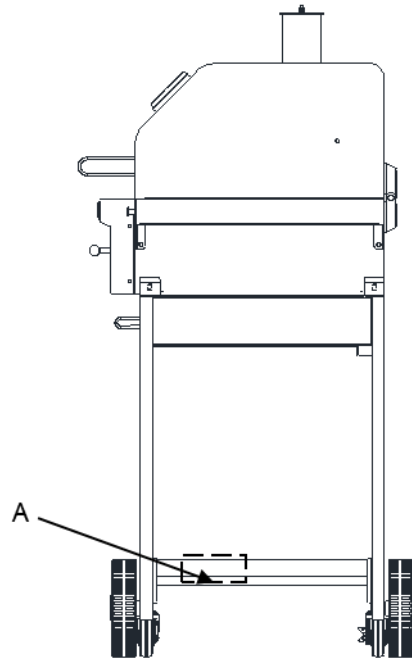
Clearance to combustible construction for grill:

- A minimum of 36" (91.4 cm) must be maintained between the front of the grill hood, sides and back of the grill and any combustible construction.
- A 36" (91.4 cm) minimum clearance must also be maintained below the cooking surface, and the grill shall not be used under overhead combustible construction.

Product Dimensions



The model/serial number rating plate is located on the right side of cart. See the following illustration.



A. Model/serial number plate

OUTDOOR GRILL USE

Using Your Outdoor Grill

⚠️ WARNING



Fire Hazard

Do not use gasoline, or other flammable liquids to light or relight charcoal.

Using flammable liquids can cause a fire flashback.

Failure to follow these instructions can result in death, fire, or severe burns.

Charcoal Briquettes Lighting Instructions

1. Open grill lid.
2. Remove grill grids (see "Grill Grid Removal & Grid Lifter")
3. Lift the charcoal tray handle to adjust charcoal pan to middle height position. (see "Charcoal Tray Handle Operation").
4. Pour charcoal briquettes into the charcoal pan and arrange into a pile. Note: Charcoal should not go above grill grid. Maximum recommended amount of charcoal is 8 lb.
5. With the grill lid open, light the charcoal using one of the following types of charcoal lighting methods:
 - a. Compressed wood fiber stick / briquette fire starter
 - b. Chimney charcoal starter
 - c. Electric grill starter
 - d. Charcoal infused with lighter fluid (ready light charcoal briquettes)
 - e. Paper and wood(Follow all manufacturer's instructions regarding the use of their products).
6. With grill lid open, allow charcoal to burn until flames subside. Evenly spread the coals out in the bottom of the charcoal pan. NOTE: To extend the life of your grill, make sure that hot coals do not touch the walls of the grill.
7. Adjust charcoal tray handle to low position.
8. Replace the grill grids.

⚠️ WARNING

Food Poisoning Hazard

Do not let food sit for more than one hour before or after cooking.

Doing so can result in food poisoning or sickness.

Grilling/Searing

1. Always wait for any charcoal flames to subside before placing food on cooking grid.
2. Once briquettes are glowing, use the charcoal tray handle to adjust charcoal pan to desired cooking position.
3. Place food on grill grids and close grill lid.
4. Grill food to desired doneness, turning or flipping as necessary.

Regulating Heat

To raise, lower or maintain the burning intensity, more charcoal briquette may be needed or an adjustment to charcoal tray position or the front air ventilation may be needed. (see "Adjusting Temperatures and "Adding Charcoal Briquette During Cooking" section).

Add Charcoal Briquette During Cooking

Additional charcoal briquettes may be required to maintain or increase cooking temperature.

1. Open grill lid.
2. Using the charcoal tray handle, adjust the charcoal pan to the low position.
3. Remove the food from grill grid, then remove the grill grid.
4. Use cooking tongs add charcoal briquettes to the charcoal pan.
5. When the charcoal briquette is burning strong again, evenly spread them out in the bottom of the charcoal pan and adjust charcoal pan to desired cooking level.
6. Replace food on the grill grid.
7. Close the grill lid. Allow food to continue grilling.

TIPS FOR OUTDOOR GRILLING

Operating Tips

Grill Grid Removal & Grid Lifter

When removing grill grids or adding charcoal briquettes use the grid lifter to remove grill grid to add charcoal briquettes to the charcoal pan. Do not leave the grid lifter inside the grill as it will get too hot to handle.

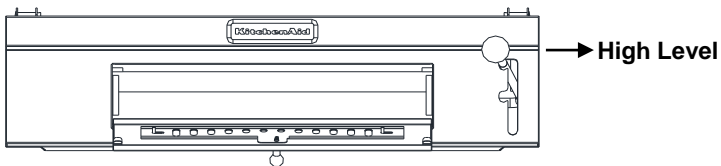
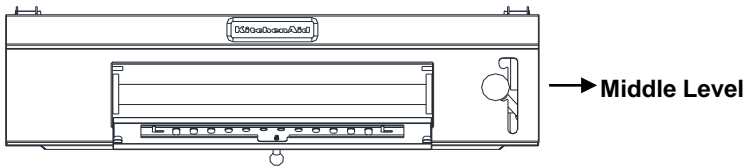
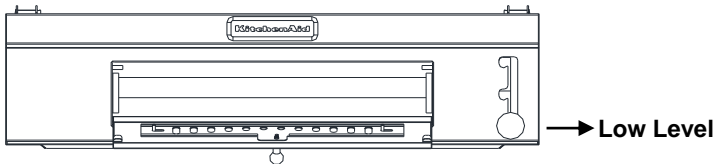


A. Charcoal grid lifter

Adjusting Temperature

Charcoal Tray Handle Operation

By lifting the charcoal tray handle, the charcoal pan can be raised or lowered to adjust the cooking heat at any time during cooking. Raising the pan increases direct heat. Lowering the pan reduces direct heat. Raise the tray after unit has cooled down completely to make it easier to brush left over ash into the ash tray. Do not raise the tray higher than halfway when fully loaded with fresh charcoal briquettes.



Ventilation Door Control Knob Operation

To open the ventilation door, pull the ventilation knob. To adjust ventilation, move the ventilation knob to the right or left.



Charcoal ventilation control knob

Charcoal tray handle

To control the cooking temperature, shift the ventilation knob at the front of the grill to open and close the ventilation. To increase temperature, open the ventilation. To dampen temperature, close the ventilation.

NOTE: The temperature should not exceed 500°F (260°C). The temperature can be checked using the temperature gauge on the grill lid.

OUTDOOR GRILL CARE

General Cleaning

IMPORTANT: Before cleaning, make sure the grill is cool. Always follow label instructions on cleaning products.

For routine cleaning, wash with soap and water using a soft cloth or sponge. Rinse with clean water and dry at once with a soft, lint-free cloth to avoid spots and streaks.

Do not use steel wool to clean the grill, as it will scratch the surface. To avoid weather damage to finish, use grill cover and store in a dry, protected location.

STAINLESS STEEL

IMPORTANT: To avoid damage to stainless steel surfaces, do not use soap-filled scouring pads, abrasive cleaners, cooktop polishing creme, steel wool, gritty wash cloths or paper towels. Cleaner should not contain chlorine. Damage may occur. Food spills should be cleaned as soon as entire grill is cool. Spills may cause permanent discoloration.

Cleaning Method:

- Rub in direction of grain to avoid scratching or damaging the surface.
- Stainless steel cleaner.
- Liquid detergent or all-purpose cleaner.
- Rinse with clean water and dry with soft, lint-free cloth.
- Vinegar to remove hard water spots.
- Glass cleaner to remove fingerprints.

EXTERIOR

The quality of this material resists most stains and pitting, providing that the surface is kept clean, polished and covered.

Cleaning Method:

- Apply stainless steel polish to all non-cooking areas before first use. Reapply after each cleaning to avoid permanent damage to surface.
- Cleaning should always be followed by rinsing with clean warm water. Wipe the surface completely dry with a soft cloth.
- For tough spots or baked-on grease, use a commercial degreaser stainless steel.

INTERIOR

Pre-seasoning the Charcoal Tray

Before using your grill the first time, the charcoal tray needs to be seasoned to prevent rusting.

1. Make sure the charcoal tray is clean and does not have charcoal briquettes in it.
2. Rub or spray on a thin coat of cooking oil (avoid oils with salt content) over the entire charcoal tray.
3. Use the grill according to lighting instructions.

Cleaning the Charcoal Tray

To clean the charcoal tray after use, ensure all charcoal briquettes have cooled completely.

1. Sweep ash down through the charcoal tray holes into the ash tray. Empty ash drawer.
2. Avoid using soap as this will remove any oil coating pre-seasoned onto the charcoal grid. Use only water and a soft, non-abrasive material to clean if needed. Dry thoroughly.
3. Re-apply a thin coating of cooking oil to protect the tray while it is being stored for the next use.

ASSISTANCE

If you need help, follow the instructions below.

When calling, please know the purchase date and the complete model and serial number of your appliance. This information will help us to better respond to your request.

If you need replacement parts

If you have questions or need to order replacement parts, contact Customer Service Center at **1-877-373-2301**.

Please direct all correspondence to:
Nexgrill Industries, Inc.
14050 Laurelwood Pl, Chino, CA 91710

Please include a daytime phone number in your correspondence.

LIMITED WARRANTY (Model # 810-0021)

The manufacturer warrants to the original consumer-purchaser only that this product (Model #810-0021) shall be free from defects in workmanship and materials after correct assembly and under normal and reasonable home use for the periods indicated below beginning on the date of purchase. The manufacturer reserves the right to require photographic evidence of damage, or that defective parts be returned, postage and/or freight pre-paid by the consumer, for review and examination.

Stainless Steel Parts: 3 Year LIMITED warranty against perforation, does not cover cosmetic issue like surface corrosion, scratched and rust .

ALL PARTS: 1 year LIMITED warranty (Includes, but not limited to frame, housing, cart, control panel) *Does not cover chipping, scratching, cracking surface corrosion, scratches or rust.

Upon consumer supplying proof of purchase as provided herein, Manufacturer will repair or replace the parts which are proven defective during the applicable warranty period. Parts required to complete such repair or replacement shall be free of charge to you except for shipping costs, as long as the purchaser is within the warranty period from the original date of purchase. The original consumer-purchaser will be responsible for all shipping charges of parts replaced under the terms of this limited warranty. This limited warranty is applicable in the United States and Canada only, is only available to the original owner of the product and is not transferable. Manufacturer requires reasonable proof of your date of purchase. Therefore, you should retain your sales receipt and/or invoice. If the unit was received as a gift, please ask the gift-giver to send in the receipt on your behalf, to the below address. Defective or missing parts subject to this limited warranty will not be replaced without registration or proof of purchase. This limited warranty applies to the functionality of the product ONLY and does not cover cosmetic issues such as scratches, dents, corrosions or discoloring by heat, abrasive and chemical cleaners or any tools used in the assembly or installation of the appliance, surface rust, or the discoloration of stainless steel surfaces. Surface rust, corrosion, or powder paint chipping on metal parts that does not affect the structural integrity of the product is not considered a defect in workmanship or material and is not covered by this warranty. This limited warranty will not reimburse you for the cost of any inconvenience, food, personal injury or property damage. If an original replacement part is not available, a comparable replacement part will be sent. You will be responsible for all shipping charges of parts replaced under the terms of this limited warranty.

ITEMS MANUFACTURER WILL NOT PAY FOR:

- Service calls to your home.
- Repairs when your product is used for other than normal, single-family household or residential use.
- Damage resulting from accident, alteration, misuse, lack of maintenance/cleaning, abuse, fire, flood, acts of God, improper installation, and installation not in accordance with electrical or plumbing codes or misuse of product..
- Any food loss due to product failures.
- Replacement parts or repair labor costs for units operated outside the United States or Canada.
- Pickup and delivery of your product.
- Postage fees or photo processing fees for photos sent in as documentation.
- Repairs to parts or systems resulting from unauthorized modifications made to the product.
- The removal and/or reinstallation of your product.
- Shipping cost, standard or expedited, for warranty/non warranty and replacement parts.

DISCLAIMER OF IMPLIED WARRANTIES; LIMITATION OF REMEDIES

Repair or replacement of defective parts is your exclusive remedy under the terms of this limited warranty. Manufacturer will not be responsible for any consequential or incidental damages arising from the breach of either this limited warranty or any applicable implied warranty, or for failure or damage resulting from acts of God, improper care and maintenance, grease fire, accident, alteration, replacement of parts by anyone other than manufacturer, misuse, transportation, commercial use, abuse, hostile environments (inclement weather, acts of nature, animal tampering), improper installation or installation not in accordance with local codes or printed manufacturer instructions.

THIS LIMITED WARRANTY IS THE SOLE EXPRESS WARRANTY GIVEN BY THE MANUFACTURER. NO PRODUCT PERFORMANCE SPECIFICATION OR DESCRIPTION WHEREVER APPEARING IS WARRANTED BY MANUFACTURER EXCEPT TO THE EXTENT SET FORTH IN THIS LIMITED WARRANTY. ANY IMPLIED WARRANTY PROTECTION ARISING UNDER THE LAWS OF ANY STATE, INCLUDING IMPLIED WARRANTY OF MERCHANTABILITY OR FITNESS FOR A PARTICULAR PURPOSE OR USE, IS HEREBY LIMITED IN DURATION TO THE DURATION OF THIS LIMITED WARRANTY.

Neither dealers nor the retail establishment selling this product has any authority to make any additional warranties or to promise remedies in addition to or inconsistent with those stated above. Manufacturer's maximum liability, in any event, shall not exceed the documented purchase price of the product paid by the original consumer. This warranty only applies to units purchased from an authorized retailer and or re-seller.

NOTE: Some states do not allow an exclusion or limitation of incidental or consequential damages, so some of the above limitations or exclusions may not apply to you; this limited warranty gives you specific legal rights as set for herein. Rights may vary depending on where your reside.

If you wish to obtain performance of any obligation under this limited warranty, you should write to:

**Nexgrill Customer Relations
14050 Laurelwood PI
Chino, CA 91710**

All consumer returns, parts orders, general questions, and troubleshooting assistance can be acquired by calling 1-877-373-2301.

SÉCURITÉ DU GRIL D'EXTÉRIEUR

Votre sécurité et celle des autres est très importante.

Nous donnons de nombreux messages de sécurité importants dans ce manuel et sur votre appareil ménager. Assurez-vous de toujours lire tous les messages de sécurité et de vous y conformer.



Voici le symbole d'alerte de sécurité.

Ce symbole d'alerte de sécurité vous signale les dangers potentiels de décès et de blessures graves à vous et à d'autres.

Tous les messages de sécurité suivront le symbole d'alerte de sécurité et le mot "DANGER" ou "AVERTISSEMENT". Ces mots signifient :

▲ DANGER

Risque possible de décès ou de blessure grave si vous ne suivez pas immédiatement les instructions.

▲ AVERTISSEMENT

Risque possible de décès ou de blessure grave si vous ne suivez pas les instructions.

Tous les messages de sécurité vous diront quel est le danger potentiel et vous disent comment réduire le risque de blessure et ce qui peut se produire en cas de non-respect des instructions.



RÉSIDENTS DE CALIFORNIE SEULEMENT - AVERTISSEMENT:

Ce produit et les combustibles qui sont utilisés pour son fonctionnement avec le (charbon ou bois) et les produits de combustion comme le fioul peuvent vous exposer à des produits chimiques, tels que le carbone noir, qui est connu par l'état de Californie de causer le cancer et le monoxyde de carbone qui est connu de l'État de Californie de causer des malformations congénitales ou des danger possible à la reproduction.

Pour plus d'informations, visitez www.P65Warnings.ca.gov.

IMPORTANTES INSTRUCTIONS DE SÉCURITÉ

AVERTISSEMENT : Pour réduire le risque d'incendie, de blessures corporelles ou de dommages lors de l'utilisation de l'appareil de cuisson d'extérieur, il convient d'observer certaines précautions fondamentales, notamment :

- Ne pas installer les appareils de cuisson à gaz d'extérieur (portatifs ou encastrés) dans ou sur un véhicule récréatif, une remorque portative, un bateau ou toute autre installation mobile.
- Toujours respecter les distances de séparation minimales entre l'appareil et les constructions combustibles; voir la section "Exigences d'emplacement".
- L'appareil de cuisson à gaz d'extérieur ne doit pas être situé sous une construction combustible non protégée.
- Cet appareil de cuisson à gaz d'extérieur doit être utilisé à l'extérieur uniquement; ne pas l'utiliser dans un bâtiment, un garage ou tout autre endroit clos.
- Maintenir la zone de l'appareil de cuisson à gaz d'extérieur à l'abri des matériaux combustibles, essence ou autres vapeurs ou liquides inflammables.
- Ce gril chauffe beaucoup pendant son utilisation. Ne pas le déplacer pendant qu'il fonctionne.
- Ne pas utiliser d'alcool, d'essence ni de liquides semblables pour allumer ou réallumer le gril.
- Ce produit ne doit pas être utilisé en guise d'élément chauffant.
- Utiliser l'unité sur une surface inflammable, à niveau, stable, telle qu'asphalte, béton ou sol ferme. NE PAS utiliser l'unité sur un matériau inflammable, tel qu'une moquette ou une plate-forme en bois.
- NE PAS utiliser ce produit de toute autre manière que l'objectif pour lequel il a été conçu.
- NE PAS laisser l'unité sans surveillance pendant son utilisation.
- Ne pas laisser de cendres chaudes sans surveillance tant que le gril n'a pas totalement refroidi.
- NE PAS déplacer l'unité pendant son utilisation ou pendant que les cendres sont encore chaudes. Attendre que l'unité ait refroidi complètement avant de la déplacer ou de la ranger.
- Pour jeter les cendres froides, les envelopper dans une feuille en aluminium et la placer dans un conteneur non combustible. S'assurer qu'il n'y a pas d'autres matériaux combustibles dans ou près du conteneur.

CONSERVEZ CES INSTRUCTIONS

EXIGENCES D'INSTALLATION

Exigences d'emplacement

⚠ AVERTISSEMENT

Risque d'empoisonnement au monoxyde de carbone

N'utilisez pas de barbecue au charbon de bois dans des endroits fermés tels que des garages, des tentes ou à l'intérieur.

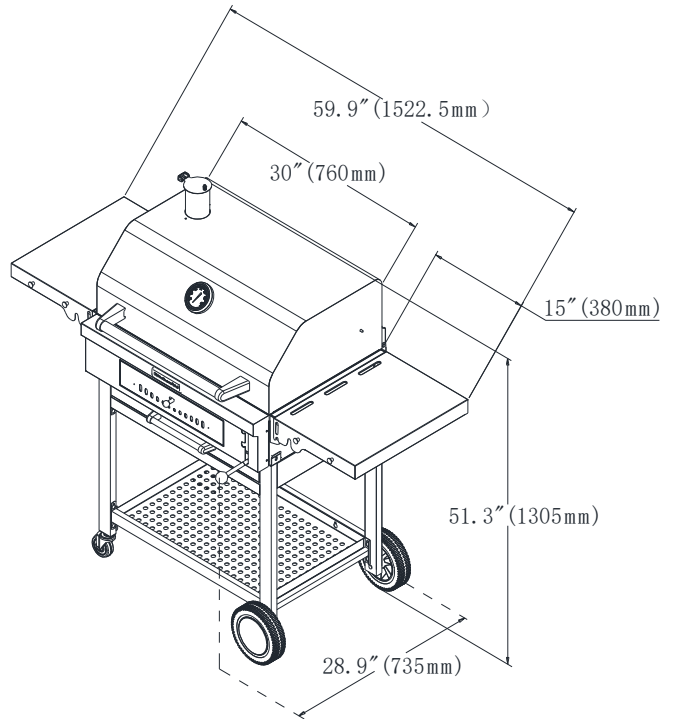
Cela pourrait entraîner la mort ou une intoxication au monoxyde de carbone.

Sélectionner un emplacement où l'exposition au vent est faible et les passages peu nombreux. L'emplacement ne doit pas se trouver dans une zone à forts courants d'air.

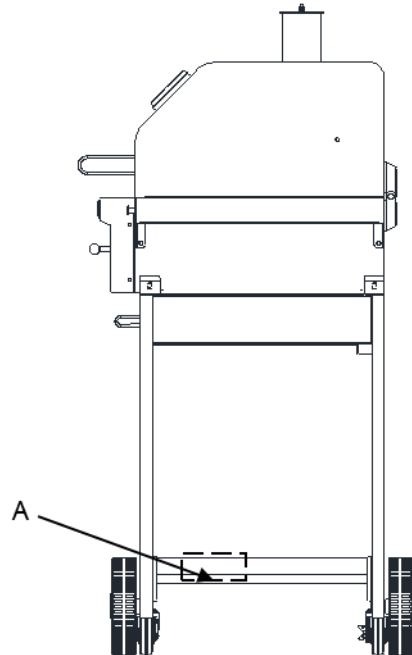
Ne pas obstruer le flux de combustion et de ventilation. Dégagement jusqu'au matériel combustible pour les grils d'extérieur autoportants:

- Un minimum de 91,44 cm / 36 po doit être maintenu entre l'avant du couvercle du gril, les côtés et l'arrière du gril et tout matériel combustible.
- Un dégagement minimum de 91,44 cm / 36 po doit également être maintenu sous la surface de cuisson; d'autre part, le gril ne doit pas être utilisé au-dessous d'un élément de construction combustible.

Dimensions du Produit



La plaque signalétique indiquant les numéros de modèle et de série se trouve du côté droit du chariot (voir l'image).



A. Plaque signalétique avec numéros de modèle et de série

UTILISATION DU GRIL D'EXTÉRIEUR

Utilisation du gril d'extérieur

⚠ AVERTISSEMENT



Risque d'incendie

Ne pas utiliser d'essence ou d'autres liquides inflammables pour allumer ou rallumer un feu de charbon de bois.

L'emploi de liquides inflammables peut provoquer un retour de flamme.

Le non-respect de ces instructions peut provoquer un décès, un incendie ou des blessures graves.

Instructions d'allumage des briquettes de charbon

1. Ouvrir le couvercle du barbecue.
2. Retirer les grilles (voir la section « Retrait des grilles et soulève-grille »).
3. Placer le levier du plateau à charbon à la hauteur médiane (voir la section « Levier du plateau à charbon »).
4. Verser les briquettes de charbon dans le plateau et les disposer en pile. N.B. : Les briquettes ne doivent pas dépasser la grille. La quantité maximale recommandée est de 3,6 kg (8 lb).
5. Le couvercle ouvert, allumer le charbon avec l'un ou l'autre des accessoires suivants :
 - a. Bâtonnets en fibre de bois compressé / allume-feu pour briquettes
 - b. Cheminée d'allumage
 - c. Allume-feu électrique
 - d. Charbon imbibé d'essence à briquet (briquettes combustibles)
 - e. Papier et bois(Suivre toutes les instructions d'utilisation du fabricant.)
6. Le couvercle ouvert, laisser le charbon brûler jusqu'à ce que les flammes s'éteignent, puis étendre les briquettes uniformément au fond du plateau. N.B. : Pour prolonger la vie du barbecue, éviter tout contact entre le charbon chaud et les parois.
7. Abaisser le levier du plateau à charbon à la position inférieure.
8. Replacer les grilles.

⚠ AVERTISSEMENT

Risque d'empoisonnement alimentaire

Ne pas laisser des aliments reposer plus d'une heure avant ou après la cuisson.

Le non-respect de cette instruction peut causer un empoisonnement alimentaire ou une maladie.

Cuisson et saisie

1. Toujours attendre que les flammes du charbon s'éteignent avant de déposer des aliments sur les grilles de cuisson.
2. Quand les briquettes rougeoient, ajuster le plateau à charbon selon la position de cuisson désirée au moyen du levier.
3. Déposer les aliments sur les grilles et fermer le couvercle.
4. Cuire les aliments au goût en les tournant et en les retournant au besoin.

Réglage de la température

Pour augmenter, réduire ou maintenir l'intensité de la combustion, il peut s'avérer nécessaire d'ajouter des briquettes de charbon, ou encore d'ajuster la position du plateau à charbon ou des fentes de ventilation avant (voir les sections sur l'ajustement de la température et sur l'ajout de briquettes de charbon lors de la cuisson).

Ajouter des briquettes de charbon pendant la cuisson

Des briquettes de charbon supplémentaires peuvent devoir être ajoutées pour maintenir ou augmenter la température de la cuisson.

1. Éloignez-vous et ouvrez le couvercle du gril avec précaution. Soyez prudent étant donné que les flammes peuvent flamber dès que l'air frais entre en contact avec le feu.
2. Abaisser le levier du plateau à charbon à la position inférieure.
3. Retirer la nourriture des grilles, puis retirer celles-ci.
4. À l'aide de pinces, ajouter des briquettes de charbon sur le plateau.
5. Quand les briquettes brûlent vivement à nouveau, les étaler uniformément sur le plateau à charbon et ajuster celui-ci à la hauteur voulue.
6. Remettre la nourriture sur les grilles.
7. Fermez le couvercle et la porte du gril. Laissez les aliments griller.

CONSEILS POUR L'UTILISATION DU GRIL D'EXTÉRIEUR

Conseils d'utilisation

Retrait des grilles et soulève-grille

Pour retirer les grilles ou ajouter des bûchettes de charbon dans le plateau, utiliser le soulève-grille. Ne pas laisser le soulève-grille dans le barbecue, car il pourrait devenir trop chaud pour être manipulé.



A. Soulève-grille

Utilisation du levier des fentes de ventilation

Pour ouvrir les fentes de ventilation, tirer le levier. Pour ajuster le niveau de ventilation, déplacer le levier vers la gauche ou la droite.



Levier des fentes de ventilation du charbon

Levier du plateau à charbon

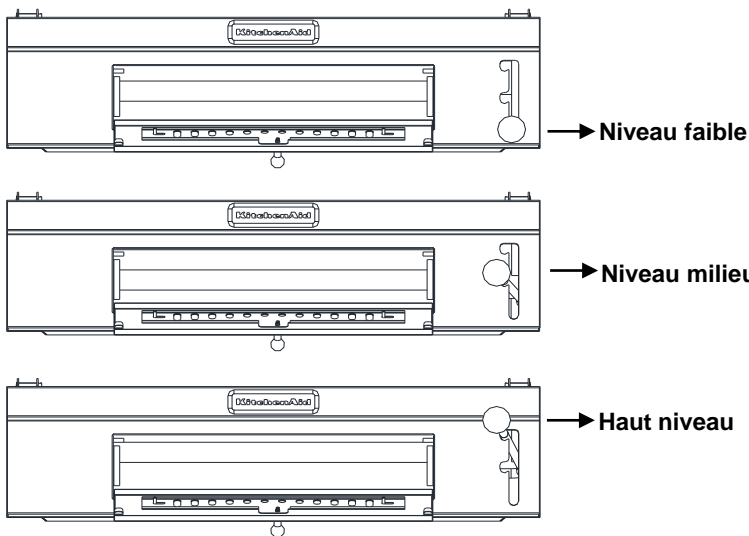
RÉGLAGE DE LA TEMPÉRATURE

Utilisation du levier du plateau à charbon

Utilisez le levier du plateau à charbon pour relever ou abaisser le bac à charbon et régler la chaleur de cuisson à n'importe quel moment de la cuisson. Lorsque vous soulevez le bac, la chaleur directe augmente. Lorsque vous abaissez le bac, la chaleur directe est réduite. Relevez le bac une fois que l'unité a totalement refroidi pour faciliter le nettoyage des cendres que vous brossez dans le tiroir des cendres. Ne relevez pas le plateau à plus de la moitié lorsqu'il est rempli de charbon que vous venez de mettre.

Pour régler la température de cuisson, déplacer le levier à l'avant du barbecue, ce qui permet d'ouvrir ou de fermer les fentes. Pour augmenter la température, ouvrir les fentes. Pour la réduire, fermer les fentes.

REMARQUE: La température ne doit pas dépasser les 260°C (500°F). Vous pouvez vérifier la température à l'aide de l'indicateur de température situé sur le couvercle du grill.



ENTRETIEN DU GRIL D'EXTÉRIEUR

Nettoyage Général

IMPORTANT: Avant le nettoyage, s'assurer que le grill a refroidi. Toujours suivre les instructions figurant sur les étiquettes des produits de nettoyage.

Pour le nettoyage de routine, laver à l'eau savonneuse à l'aide d'un chiffon doux ou d'une éponge. Rincer à l'eau propre et sécher immédiatement à l'aide d'un chiffon doux, sans charpie, afin d'éviter les taches et coulées.

Ne pas utiliser de laine d'acier pour nettoyer le grill, car ceci égratignera la surface.

Utiliser la housse de grill afin d'éviter que le fini ne subisse de dommages liés aux intempéries.

ACIER INOXYDABLE

IMPORTANT: Afin d'éviter d'endommager les surfaces en acier inoxydable, ne pas utiliser de tampons à récurer savonneux, de nettoyeurs abrasifs, de crème à polir pour table de cuisson, de tampons en laine d'acier, de chiffons de lavage rêches ou d'essuie-tout. Les produits de nettoyage ne doivent pas contenir de chlore. Des dommages peuvent survenir. Les renversements d'aliments doivent être nettoyés dès que le grill a entièrement refroidi. Les renversements peuvent causer une décoloration permanente.

Méthode de nettoyage :

- Frotter dans la direction du grain pour éviter d'égratigner ou d'endommager la surface.
- Nettoyant pour acier inoxydable
- Détergent liquide ou nettoyant tout-usage :
- Rincer à l'eau propre et sécher avec un chiffon doux sans charpie.
- Vinaigre pour éliminer les taches d'eau dure.

EXTÉRIEUR

La qualité de ce matériau résiste à la plupart des taches et piqûres de corrosion dès lors que la surface est maintenue propre et protégée.

Méthode de nettoyage :

- Appliquer le poli pour acier inoxydable sur toutes les zones non dédiées à la cuisson avant la première utilisation. Appliquer de nouveau après chaque nettoyage pour éviter d'endommager la surface de façon permanente.
- Le nettoyage doit toujours être suivi d'un rinçage à l'eau tiède propre. Essuyer complètement la surface à l'aide d'un chiffon doux.
- Pour les taches tenaces et la graisse ayant adhéré à la cuisson, utiliser un dégraissant commercial conçu pour l'acier inoxydable.

INTÉRIEUR

Culottage du plateau à charbon

Avant la première utilisation du barbecue, culotter le plateau à charbon pour prévenir la rouille.

1. S'assurer que le plateau à charbon est propre et ne contient aucune brique.
2. Appliquer ou pulvériser une mince couche d'huile de cuisson sur toute la surface du plateau. Éviter les huiles qui contiennent du sel.
3. Utiliser le barbecue en suivant les instructions d'allumage.

Nettoyage du plateau à charbon

Avant de nettoyer le plateau à charbon, s'assurer que les briquettes sont complètement refroidies.

1. Balayer les cendres par les perforations du plateau à charbon dans le tiroir à cendres. Vider le tiroir.
2. Ne pas utiliser de savon pour éviter de retirer le culottage du plateau. Au besoin, nettoyer le plateau avec de l'eau et une éponge ou un linge doux et non abrasif, puis bien le sécher.
3. Appliquer à nouveau une mince couche d'huile de cuisson pour protéger le plateau entre les utilisations du barbecue.

ASISTENCIA

Si vous avez besoin d'aide, suivez les instructions ci-dessous.

Pour votre appel, veuillez connaître la date d'achat et les numéros de modèle et de série complets de votre appareil. Ces renseignements nous aideront à mieux répondre à votre demande.

Si vous avez besoin de pièces de rechange

Pour toute question ou pour obtenir des pièces de rechange, contacter le service clientèle au 1-877-373-2301.

Prière d'adresser tout courrier à :

Nexgrill Industries, Inc.

14050 Laurelwood Pl, Chino, CA 91710

Veuillez indiquer dans votre correspondance un numéro de téléphone où l'on peut vous joindre dans la journée.

GARANTIE LIMITÉE (Modèle no 810-0021)

Le fabricant garantit uniquement au consommateur-acquéreur que ce produit (modèle n° 810-0021) sera exempt de tout défaut de fabrication et de matériau après un assemblage correct et dans des conditions d'utilisation domestique normales et raisonnables pour les périodes indiquées ci-dessous, à compter de la date d'achat. Le fabricant se réserve le droit d'exiger des preuves photographiques des dommages, ou que les pièces défectueuses soient renvoyées tout port payé par le consommateur, pour examen.

Pièces en acier inoxydable : Garantie LIMITÉE de 3 ans contre toute perforation; ne couvre pas les problèmes esthétiques tels que la corrosion, les éraflures et la rouille.

Toutes les autres pièces : Garantie LIMITÉE de un an (y compris, sans limitation, bâti, enceinte, chariot, tableau de commande); ne couvre pas tout écaillage, éraffement, craquellement de la surface par corrosion, éraflures ou par la rouille.

Sur présentation d'une preuve d'achat (fournie avec la présente) par le consommateur, le fabricant réparera ou remplacera les pièces qui se sont avérées défectueuses, durant la période de garantie applicable. Le coût des pièces nécessaires à l'exécution de ladite réparation ou dudit remplacement sera pris en charge par nos soins, hormis les frais d'expédition, dans la mesure où l'acheteur reste dans la période de garantie commençant à partir de la date d'achat d'origine. Tous frais d'expédition des pièces remplacées en vertu des conditions de la présente garantie limitée seront à la charge du consommateur-acquéreur initial. Cette garantie limitée s'applique uniquement aux États-Unis, Canada uniquement, ne peut être utilisée que par le propriétaire d'origine du produit et n'est pas cessible. Le fabricant exige une preuve d'achat valable. En conséquence, vous devez conserver votre reçu de vente et (ou) votre facture. Si l'appareil a été offert en cadeau, veuillez demander à la personne l'ayant offert d'expédier le reçu en votre nom, à l'adresse ci-dessous. Aucune pièce défectueuse ou manquante soumise à cette garantie limitée ne sera remplacée sans enregistrement ou preuve d'achat. Cette garantie limitée s'applique UNIQUEMENT à la fonctionnalité de ce produit et ne couvre aucun problème esthétique tel les éraflures, indentations, corrosions ou décolorations liées à la chaleur, à l'emploi de nettoyants abrasifs et chimiques ou de tout outil utilisé pour l'assemblage ou l'installation du produit, l'apparition de rouille sur la surface, ou la décoloration des surfaces en acier inoxydable. Dans la mesure où ils n'affectent pas l'intégrité structurale du produit, la présence de rouille ou de corrosion sur la surface, ou l'écaillage de la peinture en poudre sur les pièces métalliques ne sont pas considérés comme des défauts de fabrication ou de matériau et ne sont pas couverts par cette garantie. Cette garantie limitée ne vous remboursera pas les frais liés à tout préjudice physique ou moral, dommages alimentaires ou matériel quelconques. Si une pièce de rechange d'origine n'est pas disponible, une pièce de rechange comparable vous sera expédiée. Tous frais d'expédition des pièces remplacées en vertu des stipulations de cette garantie limitée seront à votre charge.

LE FABRICANT NE PRENDRA PAS EN CHARGE :

- Les visites de service à votre domicile.
- Les réparations lorsque le produit est utilisé à des fins autres que l'usage unifamilial normal ou en résidence.
- Les dommages imputables à : accident, modification, usage impropre ou abusif, manque d'entretien/nettoyage insuffisant, incendie, inondation, actes de Dieu, installation fautive ou installation non conforme aux codes d'électricité ou de plomberie ou utilisation de produits non approuvés par le fabricant.
- Toute perte alimentaire en raison d'une défaillance du produit.
- Le coût des pièces de rechange et de la main-d'oeuvre de réparation pour les appareils utilisés hors des États-Unis ou du Canada.
- L'enlèvement et la livraison du produit.
- Les frais d'affranchissement ou de développement de photos liés aux photos envoyées comme documentation.
- Les réparations effectuées sur les pièces ou systèmes résultant d'une modification non autorisée apportée au produit.
- L'enlèvement et (ou) la réinstallation du produit.
- Les frais d'expédition, en envoi standard ou express, pour les éléments couverts ou non par la garantie et pour les pièces de rechange.

CLAUSE D'EXONÉRATION DE RESPONSABILITÉ AU TITRE DES GARANTIES IMPLICITES; LIMITATION DES RECOURS

La réparation ou le remplacement des pièces défectueuses constitue l'unique recours du propriétaire en vertu des conditions de la présente garantie limitée. Le fabricant n'assume aucune responsabilité pour tout dommage fortuit ou indirect entraîné par la violation de la présente garantie limitée ou de toute garantie implicite applicable, ou pour toute défectuosité ou dommage entraîné(e) par des actes de Dieu, un mauvais entretien, un feu de graisse, un accident, une modification, le remplacement de pièces par toute autre personne que le fabricant, une mauvaise utilisation, le transport, une utilisation commerciale, un usage abusif, des conditions environnementales défavorables (intempéries, phénomènes naturels, altération causée par des animaux), une installation incorrecte ou non conforme aux codes locaux ou aux instructions fournies par le fabricant.

LA PRÉSENTE GARANTIE LIMITÉE CONSTITUE L'UNIQUE GARANTIE EXPRESSE FOURNIE PAR LE FABRICANT. QUEL QUE CE SOIT L'ENDROIT OÙ ELLE APPARAÎT, AUCUNE SPÉCIFICATION OU DESCRIPTION DE PERFORMANCE DU PRODUIT N'EST GARANTIE PAR LE FABRICANT, HORMIS DANS LA MESURE ÉTABLIE PAR LA PRÉSENTE GARANTIE LIMITÉE. TOUTE PROTECTION CONTRE UNE GARANTIE IMPLICITE EXISTANT EN VERTU DES LOIS D'UN ÉTAT, Y COMPRIS LES GARANTIES IMPLCITES DE QUALITÉ MARCHANDE OU D'APTITUDE À UN USAGE PARTICULIER EST LIMITÉE DANS SA DURÉE PAR LA PRÉSENTE À LA DURÉE DE VALIDITÉ DE CETTE GARANTIE LIMITÉE.

Ni les distributeurs ni l'établissement de détail qui vendent ce produit n'ont autorité à accorder des garanties additionnelles ou de promettre des recours venant en complément ou allant à l'encontre des garanties énoncées ci-dessus. Quelles que soient les circonstances, la responsabilité maximale du fabricant ne s'étend pas au-delà du prix d'achat avéré du produit payé par le consommateur d'origine. Cette garantie s'applique uniquement aux appareils achetés auprès d'un détaillant et (ou) d'un revendeur autorisé(s).

REMARQUE : Certains États ne permettent pas l'exclusion ou la limitation des dommages fortuits ou indirects, de sorte que les limitations ou exclusions ci-dessus peuvent ne pas s'appliquer dans votre cas; cette garantie limitée vous confère des droits spécifiques tels que mentionnés aux présentes. Droits peut varier selon l'endroit où votre résidence.

Si vous souhaitez obtenir l'application de toute obligation établie par la présente garantie limitée, veuillez écrire à l'adresse suivante :

**Nexgrill Customer Relations
14050 Laurelwood Pl
Chino, CA 91710**

. Toutes les demandes de remboursement, commandes de pièces, questions d'ordre général et assistance dépannage du consommateur peuvent être obtenues en appelant le 1-877-373-2301.

SEGURIDAD DEL ASADOR PARA EXTERIORES

Su seguridad y la seguridad de los demás es muy importante.

Hemos incluido muchos mensajes importantes de seguridad en este manual y en su electrodoméstico. Lea y obedezca siempre todos los mensajes de seguridad.



Este es el símbolo de advertencia de seguridad.

Este símbolo le llama la atención sobre peligros potenciales que pueden ocasionar la muerte o una lesión a usted y a los demás.

Todos los mensajes de seguridad irán a continuación del símbolo de advertencia de seguridad y de la palabra "PELIGRO" o "ADVERTENCIA". Estas palabras significan:

⚠ PELIGRO

Si no sigue las instrucciones de inmediato, usted puede morir o sufrir una lesión grave.

⚠ ADVERTENCIA

Si no sigue las instrucciones, usted puede morir o sufrir una lesión grave.

Todos los mensajes de seguridad le dirán el peligro potencial, le dirán cómo reducir las posibilidades de sufrir una lesión y lo que puede suceder si no se siguen las instrucciones.



RESIDENTES DE CALIFORNIA SOLAMENTE - ADVERTENCIA:

Los combustibles usados en equipos para quemar madera o carbón, así como los productos de tal combustión, pueden exponerte a sustancias químicas, entre ellas el negro de humo y el monóxido de carbono, que el estado de California reconoce como causa, respectivamente, de cáncer y de malformaciones congénitas y otros daños al sistema reproductor.

Para más información, visite www.P65Warnings.ca.gov

INSTRUCCIONES DE SEGURIDAD IMPORTANTES

IMPORTANTE: Para reducir el peligro de incendio, lesiones y daños al usar su dispositivo de cocción en exteriores, siga las siguientes precauciones básicas.

- No instale dispositivos de cocción portátiles o empotrados en un vehículo recreativo, remolque, bote o cualquier otra instalación móvil.
- Mantenga siempre un libramiento mínimo de la construcción combustible; vea la sección "Requisitos de ubicación".
- Los dispositivos de cocción para exteriores no deben situarse en una construcción combustible desprotegida.
- El dispositivo de cocción para exteriores debe de usarse únicamente en exteriores y no en una cochera o en otra área cerrada.
- Mantenga el dispositivo de cocción para exteriores despejado y lejos de materiales combustibles, gasolina y demás vapores y líquidos inflamables
- Este asador puede ponerse muy caliente cuando se usa. No lo mueva mientras esté en funcionamiento.
- No use alcohol, gasolina o líquidos semejantes para encender o reencender el asador.
- No use este asador como calefactor.
- El asador debe usarse en una superficie estable, nivelada, no inflamable como asfalto, concreto o tierra apisonada. No utilice este asador sobre un material inflamable tal como una alfombra o piso de madera.
- No utilice este producto con otro fin que no sea para el que fue diseñado.
- No descuide el asador mientras lo esté utilizando.
- Preste atención a las cenizas calientes hasta que el asador se haya enfriado por completo.
- No mueva el asador mientras lo esté utilizando o mientras las cenizas aún estén calientes. Antes de mover o guardar el asador, espere a que se enfríe por completo.
- Deseche las cenizas frías colocándolas en un recipiente incombustible. Revise que no haya materias combustibles en el recipiente o cerca de él.

GUARDE ESTAS INSTRUCCIONES

REQUISITOS DE INSTALACIÓN

Requisitos de ubicación

⚠️ ADVERTENCIA

Peligro de Intoxicación con Monóxido de Carbono

No use el asador a carbón en áreas cerradas tales como garages, carpas o interiores.

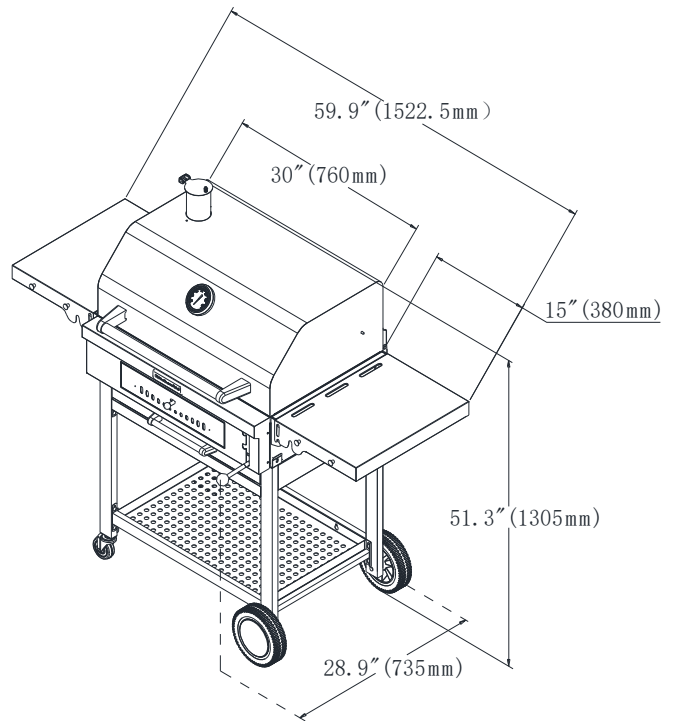
El hacerlo puede provocar la muerte o intoxicación con monóxido de carbono.

Seleccione un lugar que tenga la menor exposición al viento y al tránsito. La ubicación debe estar alejada de áreas con corrientes de aire fuertes.

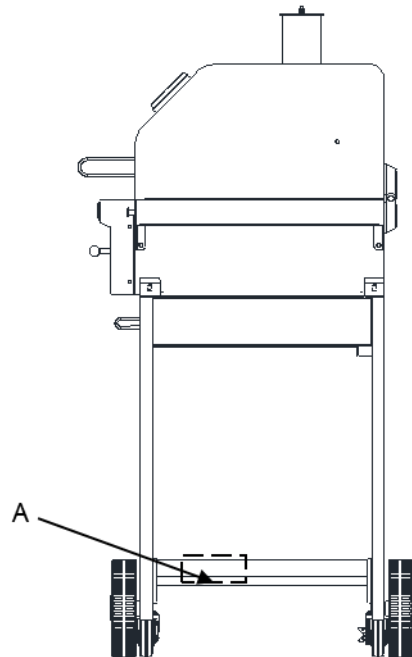
Libramiento del asador y la construcción combustible:

- Debe de mantenerse un mínimo de 91.4 cm (36") entre el frente de la campana, los costados y la parte trasera del asador y cualquier onstrucción combustible.
- También debe mantenerse un libramiento mínimo de 91.4 cm (36") por debajo de la superficie de cocción; el asador no debe usarse por debajo de una construcción combustible saliente.

Medidas del producto



La placa de clasificación con el número de modelo y de serie está situada en el lado derecho del carro. Vea la siguiente ilustración.



A. Placa con el número de modelo/serie

USO DEL ASADOR PARA EXTERIORES

Cómo usar el asador para exteriores

⚠️ ADVERTENCIA



Peligro de Incendio

No use gasolina u otros líquidos inflamables para encender o volver a encender carbón.

El uso de líquidos inflamables puede causar un retorno de llama.

No seguir estas instrucciones puede ocasionar la muerte, incendio o quemaduras graves.

Instrucciones para encender el carbón con briquetas

1. Abra la tapa del asador.
2. Retire las parrillas (vea "Cómo quitar las parrillas y el elevador").
3. Levante el mango de la charola de carbón para ajustarla en la posición intermedia. (Vea "Funcionamiento del mango de la charola de carbón".)
4. Coloque las briquetas de carbón en la charola y acomódelas en un montón. Nota: El carbón no debe rebasar la parrilla del asador. La cantidad máxima recomendable de carbón es 3.5 kg (8 libras).
5. Con la tapa del asador abierta, encienda el carbón siguiendo cualquiera de los siguientes métodos de encendido.
 - a. Varas de fibra de madera comprimida o iniciador de fuego con briquetas
 - b. Iniciador de carbón en chimenea
 - c. Iniciador de asador eléctrico
 - d. Carbón empapado de líquido de encendedor (briquetas de carbón listas para encender)
 - e. Papel y madera(Sigas todas las instrucciones del fabricante para utilizar sus productos).
6. Con la tapa del asador abierta, deje que el carbón arda hasta que bajen las llamas. Esparza los carbones de manera uniforme en el fondo de la charola de carbón. NOTA: Para prolongar la duración de su asador, no permita que los carbones calientes toquen las paredes del asador.
7. Ajuste el mango de la charola de carbón en la posición baja.
8. Vuelva a colocar las parrillas del asador.

⚠️ ADVERTENCIA

Peligro de Intoxicación Alimentaria

No deje sus alimentos por más de una hora antes o después de su cocción.

No seguir esta instrucción puede ocasionar intoxicación alimentaria o enfermedad.

Asado / Marcado

1. Antes de colocar alimentos sobre la rejilla de cocción, espere a que se hayan apagado todas las llamas del carbón.
2. Una vez que las briquetas se hayan convertido en brasas, gire la manivela para ajustar la charola de carbón en la posición de cocción deseada.
3. Coloque los alimentos en la parrilla y cierre la tapa del asador.
4. Ase los alimentos hasta que alcancen el término deseado, volteándolos según se necesite.

Regulación del calor

Para aumentar, reducir o mantener la intensidad del fuego, puede necesitar más briquetas de carbón, ajustar la posición de la charola o la ventilación delantera del aire. (Vea "Cómo ajustar la temperatura" y "Cómo colocar las briquetas de carbón mientras cocina").

Cómo colocar las briquetas de carbón mientras cocina

Es posible que necesite más briquetas de carbón para mantener o aumentar la temperatura de cocción.

1. Abra la tapa del asador.
2. Con el mango de la charola de carbón, ajuste la charola en la posición baja.
3. Retire los alimentos de la parrilla, después retire la parrilla en sí.
4. Con una pinzas de cocina, coloque las briquetas en la charola.
5. Cuando las briquetas de carbón estén ardiendo, distribúyalas de modo parejo en el fondo de la charola de carbón y ajústelo al nivel deseado de cocción.
6. Vuelva a poner los alimentos en la parrilla.
7. Cierre la tapa de la parrilla. Deje que los alimentos se sigan asando.

CONSEJOS PARA ASAR AL AIRE LIBRE

Consejos para la utilización de la parrilla

Cómo quitar la parrilla y el elevador de la parrilla

Use el elevador de la parrilla para quitar las parrillas y agregar briquetas a la charola de carbón. No deje el elevador adentro del asador ya que se calentaría demasiado para manejarlo.

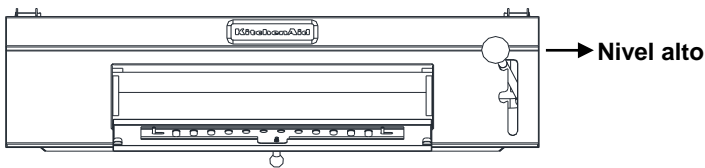
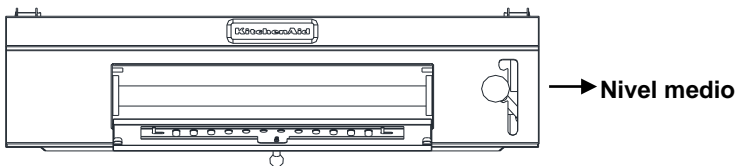
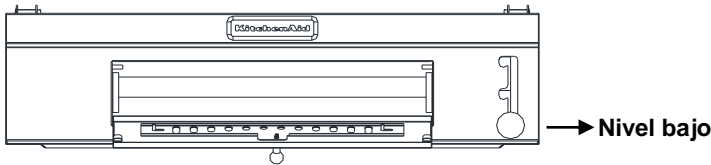


A. Elevador de la parrilla de carbón

Cómo ajustar la temperatura

Funcionamiento del mango de la charola de carbón

Con el mango de la charola de carbón puede levantarse o bajarse en cualquier momento de la cocción para ajustar el calor que se desea. Si eleva la charola aumenta el calor directo. Si baja la charola se reduce el calor directo. Levante la bandeja una vez que la unidad se haya enfriado por completo para que así sea más fácil poner las cenizas en la bandeja para cenizas. No levante la bandeja más de la mitad cuando esté totalmente llena con briquetas frescas de carbón.



Funcionamiento de la perilla de control de la puerta de ventilación

Para abrir la puerta de ventilación jale la perilla de ventilación. Para ajustar la ventilación, gire la perilla a la izquierda o a la derecha.



Perilla de control de la ventilación del carbón

Mango de la charola del carbón

Para controlar la temperatura de cocción, gire la perilla de ventilación al frente del asador para abrir y cerrar la ventilación. Para elevar la temperatura, abra la ventilación. Para reducir la temperatura, cierre la ventilación.

NOTA: La temperatura no debe exceder los 500°F (260°C). Puede controlar la temperatura con el indicador de temperatura que se encuentra en la tapa de la parrilla.

CUIDADO DEL ASADOR PARA EXTERIORES

Limpieza general

IMPORTANTE: Antes de la limpieza, asegúrese de que todos los controles estén apagados y que el asador esté frío. Siempre siga las instrucciones que vienen en las etiquetas de los productos de limpieza.

Para una limpieza de rutina, lávelo con agua y jabón, usando un paño suave o una esponja. Enjuague con agua limpia y seque enseguida con un paño suave sin pelusa, para evitar manchas y rayas.

No use estopa de acero para limpiar el asador, ya que rayará la superficie.

Para evitar daños al acabado del asador ocasionados por el clima, use una cubierta para el mismo.

ACERO INOXIDABLE

IMPORTANTE: Para evitar daños a las superficies de acero inoxidable, no use estropajos que vienen con jabón, productos de limpieza abrasivos, crema para pulir la superficie de cocción, estopa de acero, paños ásperos ni toallas de papel.

Los productos de limpieza no deben tener cloro. Pueden ocurrir daños.

Los derrames de alimentos deberán limpiarse tan pronto como se enfríe todo el asador.

Los derrames pueden ocasionar una decoloración permanente.

Método de limpieza:

- Frote en la dirección de la veta para evitar rayar o dañar la superficie.
- Limpiador de acero inoxidable.
- Detergente líquido o producto de limpieza general
- Enjuague con agua limpia y seque con un paño suave que no deje pelusa.
- Vinagre para quitar manchas de agua dura.
- Limpiador de vidrios para quitar las huellas digitales.

EXTERIOR

Debido a su calidad, este material resiste la mayoría de las manchas y las picaduras, siempre y cuando se mantenga la superficie limpia, pulida y cubierta.

Método de limpieza:

- Aplique pulidor de acero inoxidable a todas las áreas que no sean de cocción antes de usarlas por primera vez. Vuelva a aplicarlo después de cada limpieza para evitar daños permanentes en la superficie.
- A la limpieza deberá seguirle siempre un enjuague con agua tibia limpia. Seque la superficie por completo con un paño suave.
- Para las manchas rebeldes o la grasa adherida, use un desengrasante comercial diseñado para acero inoxidable.

INTERIOR

Curado de la Charola de Carbón

Antes de usar por primera vez el asador hay que curar la charola de carbón para evitar que se oxide.

1. Revise que la charola esté limpia y no contenga briquetas de carbón.
2. Frote o rocíe una capa delgada de aceite de cocina (evite aceites con sal) en toda la charola de carbón.
3. Use el asador de acuerdo a las instrucciones de

encendido.

Limpie la Charola de Carbón

Para limpiar la charola de carbón después de usarla, asegúrese de que se hayan enfriado por completo las briquetas de carbón.

1. Barra las cenizas por los agujeros de la charola de carbón hacia la bandeja de cenizas. Vacíe el cajón de cenizas
2. Evite usar jabón, ya que éste elimina la capa de aceite curado en la rejilla de carbón. Use solamente agua y, de ser necesario, un material suave y no abrasivo. Séquela a fondo.
3. Vuelva a aplicar una capa delgada de aceite de cocina para proteger la charola mientras la guarda hasta la siguiente vez que la use.

ASISTENCIA

Si considera que aún necesita ayuda, siga las instrucciones que aparecen a continuación.

Cuando llame, tenga a mano la fecha de compra y el número completo del modelo y de la serie de su electrodoméstico. Esta información nos ayudará a atender mejor a su pedido.

Si necesita piezas de repuesto

Si tiene preguntas o necesita pedir piezas de repuesto, contacte a Servicio al cliente al **1-877-373-2301**.

Dirija toda la correspondencia a:

Nexgrill Industries, Inc.
14050 Laurelwood Pl, Chino, CA 91710

Por favor incluya en su correspondencia un número de teléfono en el que se le pueda localizar durante el día.

GARANTÍA LIMITADA (Modelo N° 810-0021)

Nexgrill garantiza solamente al consumidor-comprador original de este producto (Modelo N° 810-0021) que el mismo estará libre de defectos en los materiales y la mano de obra después del ensamblaje correcto y bajo uso normal y razonable en el hogar, durante los períodos indicados a continuación, a partir de la fecha de compra. El fabricante se reserva el derecho de exigir evidencia fotográfica del daño o la devolución de las piezas defectuosas con los gastos por envío y/o flete prepagados por el consumidor, para su revisión y examen.

Quemadores de tubo de acero inoxidable: Garantía LIMITADA de 3 años contra perforaciones; no cubre problemas estéticos tales como corrosión en la superficie, rayones ni óxido.

Todas las otras piezas: Garantía LIMITADA de 1 año (incluye, pero sin limitación, válvulas, marco, alojamiento, carro, panel de control, encendedor, regulador, mangueras); no cubre desportilladuras, corrosión en la superficie agrietada, rayones ni óxido.

Una vez que el consumidor provea la prueba de compra como se indica en la presente, el Fabricante reparará o reemplazará las piezas que hayan probado ser defectuosas durante el período cubierto por la garantía. Las piezas necesarias para completar la reparación o el reemplazo se proveerán gratuitamente, excepto por los costos de envío, siempre y cuando el comprador esté dentro del período de la garantía a partir de la fecha de compra original. El comprador-consumidor original será responsable por todos los cargos por envío de las piezas reemplazadas bajo los términos de esta garantía limitada. Esta garantía limitada es aplicable solamente en los Estados Unidos, está disponible solamente para el dueño original del producto y no es transferible. El fabricante requiere una prueba razonable de la fecha de compra. Por lo tanto, usted deberá conservar su recibo de compra y/o la factura. Si la unidad fue recibida como regalo, solicite a la persona que le hizo el regalo que envíe el recibo en su nombre a la dirección que aparece debajo. Las piezas defectuosas o faltantes que estén cubiertas por esta garantía limitada no serán reemplazadas sin el registro o la prueba de compra. Esta garantía limitada se aplica SOLAMENTE a la funcionalidad del producto y no cubre problemas estéticos tales como rayones, abolladuras, corrosión o decoloración ocasionada por el calor, los limpiadores abrasivos y químicos o cualquier herramienta usada en el ensamblaje o la instalación del aparato, óxido de la superficie o decoloración de las superficies de acero inoxidable. El óxido, la corrosión o las desportilladuras de la pintura en polvo de la superficie en las piezas de metal que no afecten la integridad estructural del producto no se considera un defecto en la mano de obra ni en los materiales, y por lo tanto no están cubiertos bajo esta garantía. Bajo esta garantía limitada, usted no recibirá un reembolso por el costo de cualquier inconveniencia, alimento, herida personal o daño a la propiedad. Si no existe una pieza original de repuesto, se le enviará una pieza de repuesto equivalente. Usted será responsable por todos los cargos por envío de las piezas reemplazadas bajo los términos de esta garantía limitada.

EL FABRICANTE NO PAGARÁ POR LOS SIGUIENTES ARTÍCULOS:

- Visitas de servicio a su hogar.
- Reparaciones cuando su producto se use de un modo diferente al doméstico o residencial normal de una familia.
- Daños causados por accidente, alteración, uso indebido, falta de mantenimiento/limpieza, abuso, incendio, inundación, actos fortuitos, instalación incorrecta, instalación que no esté de acuerdo con los códigos eléctricos o de plomería, o el empleo de productos no aprobados por el fabricante.
- Cualquier pérdida de comida debida a la falla del producto.
- Costos de piezas de repuesto o gastos de reparación para unidades que se empleen fuera de los Estados Unidos o Canadá.
- Recogida y entrega de su producto.
- Cargos por envío o cargos por procesamiento de fotos enviadas como documentación.
- Reparaciones de piezas o sistemas como resultado de modificaciones no autorizadas que se hayan efectuado en el producto.
- La remoción y/o reinstalación del producto.
- Costos por transporte, común o acelerado, para las piezas de repuesto bajo garantía o sin garantía.

EXCLUSIÓN DE GARANTÍAS IMPLÍCITAS: LIMITACIÓN DE RECURSOS

La reparación o el reemplazo de las piezas defectuosas será su único recurso bajo los términos de esta garantía limitada. El fabricante no será responsable por cualquier daño consecuente o incidental que surja del incumplimiento de esta garantía limitada o de cualquier garantía implícita que sea aplicable, ni por la falla o daños ocasionados por actos fortuitos, el cuidado y mantenimiento inadecuados, incendios ocasionados por grasa, accidentes, alteraciones, el reemplazo de piezas por parte de alguien que no sea el Fabricante, uso indebido, transporte, uso comercial, abuso, medioambientes hostiles (inclemencias del tiempo, catástrofes naturales, manipulación por parte de animales), instalación incorrecta o instalación que no esté de acuerdo con los códigos locales o las instrucciones impresas por el fabricante.

ESTA GARANTÍA LIMITADA SERÁ LA ÚNICA GARANTÍA EXPRESA OTORGADA POR EL FABRICANTE. NO EXISTIRÁ NINGUNA OTRA GARANTÍA POR PARTE DEL FABRICANTE CON RESPECTO AL DESEMPEÑO SEGÚN LA ESPECIFICACIÓN O LA DESCRIPCIÓN DEL PRODUCTO, EN DONDE SEA QUE APAREZCA, EXCEPTO EN LA MEDIDA EN QUE SE HA INDICADO EN ESTA GARANTÍA LIMITADA. TODA PROTECCIÓN POR GARANTÍAS IMPLÍCITAS QUE SURJA BAJO LAS LEYES DE CUALQUIER ESTADO, INCLUIDAS LAS GARANTÍAS IMPLÍCITAS DE COMERCIALIZACIÓN O DE CAPACIDAD PARA UN PROPÓSITO O USO EN PARTICULAR, ESTARÁ LIMITADA EN SU DURACIÓN A LA DURACIÓN DE ESTA GARANTÍA LIMITADA.

Ni los distribuidores, ni el establecimiento minorista que venda este producto, tendrán ninguna autoridad para hacer garantías adicionales o para prometer recursos adicionales a los establecidos anteriormente o en contra de los mismos. En todo caso, la máxima responsabilidad del fabricante no excederá del precio documentado por la compra del producto pagado por el consumidor original. Esta garantía se aplica solamente para las unidades compradas a un minorista o revendedor autorizado.

NOTA: Algunos estados no permiten la exclusión o limitación de daños incidentales o consecuentes, de modo que las limitaciones o exclusiones indicadas anteriormente pueden no aplicarse en su caso; esta garantía limitada le otorga derechos legales específicos según se indica en la presente. Los derechos pueden variar dependiendo de donde reside.

Si usted desea llevar a cabo una acción por cualquier obligación bajo esta garantía limitada, deberá escribir a:

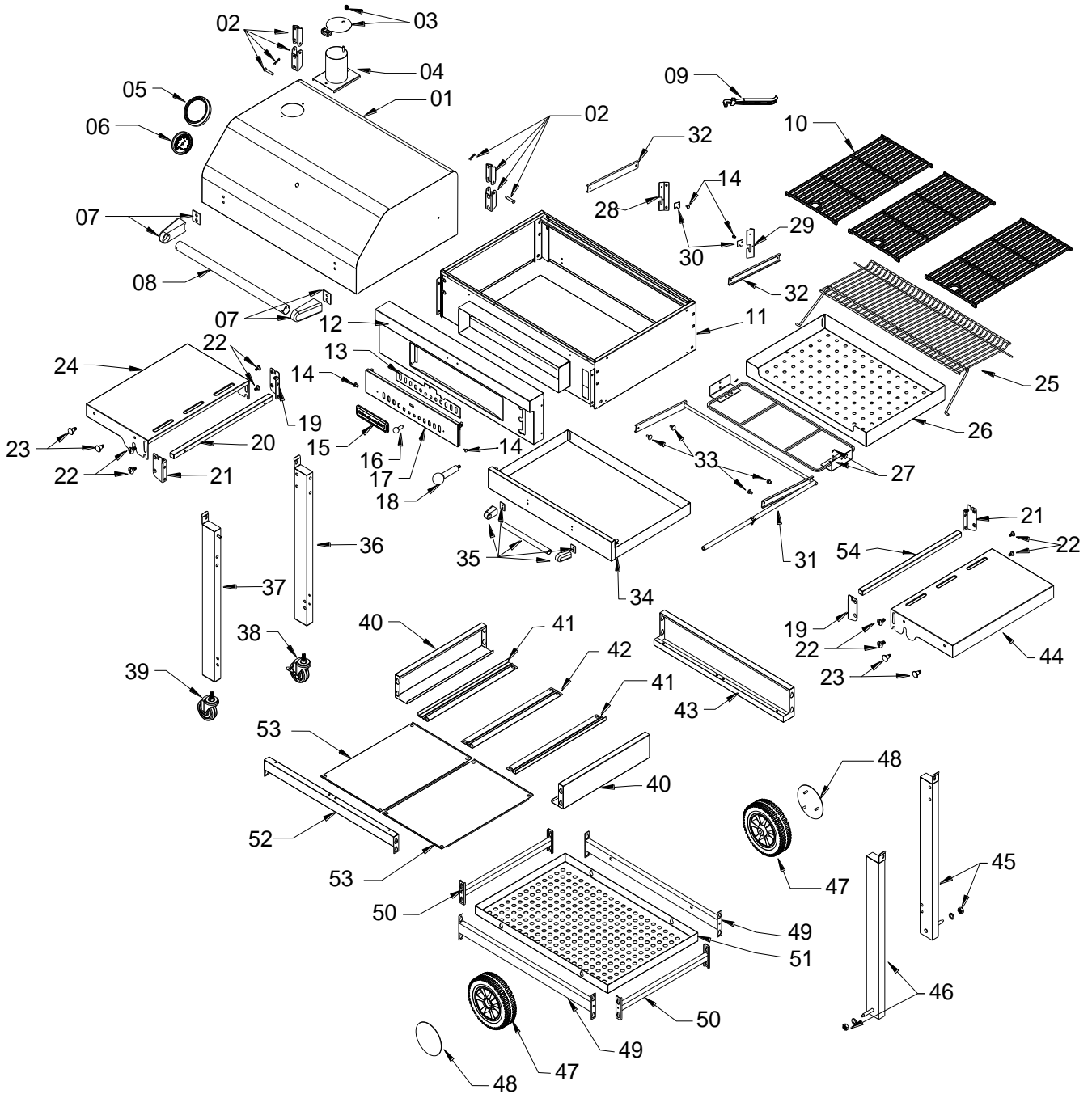
**Nexgrill Customer Relations
14050 Laurelwood Pl
Chino, CA 91710**

Toda la información relativa a devoluciones, pedidos de piezas, preguntas generales y asistencia con problemas de funcionamiento por parte del consumidor, podrá obtenerse llamando al 1-877-373-2301.

Replacement Parts see Page 45

Pièces de rechange voir Page 46

Piezas de Reemplazo ver Pagina 47



PARTS LIST

No.	Part (Description)	Warranty coverage (year)	QTY	No.	Part (Description)	Warranty coverage (year)	QTY
1	Main lid	1	1	28	Charcoal tray adjustment L shape bracket, left	1	1
2	Main lid hinge	1	2	29	Charcoal tray adjustment L shape bracket, right	1	1
3	Chimney lid	1	1	30	Charcoal tray raising rod fixing bracket	1	2
4	Charcoal Chimney	1	1	31	Charcoal tray adjustment assembly	1	1
5	Temperature gauge housing	1	1	32	Charcoal tray adjustment assembly support bracket	1	2
6	Temperature gauge	1	1	33	Stage screw B	1	4
7	Main lid handle seat	1	2	34	Charcoal ash tray	1	1
8	Main lid tube	1	1	35	Charcoal ash tray handle assembly	1	1
9	Cooking grid lifter	1	1	36	Left cart leg, back	1	1
10	Cooking grid with hole	3	3	37	Left cart leg, front	1	1
11	Charcoal bowl assembly	Non-replaceable	1	38	Swivel caster with brake	1	1
12	Main control panel	1	1	39	Swivel caster	1	1
13	Ventilation adjustment bracket	1	1	40	Firebox support side panel	1	2
14	Stage screw A	1	4	41	Charcoal ash tray support bracket, side	1	2
15	Logo	1	1	42	Charcoal ash tray support bracket, middle	1	1
16	Ventilation door control knob	1	1	43	Firebox support rear panel	1	1
17	Ventilation panel	1	1	44	Side shelf, right	1	1
18	Charcoal tray control knob	1	1	45	Right cart leg, back	1	1
19	Side shelf support bracket A	1	2	46	Right cart leg, front	1	1
20	Side shelf trim piece, left	1	1	47	Wheel	1	2
21	Side shelf support bracket B	1	2	48	Wheel cap	1	2
22	Side shelf stage screw	1	8	49	Bottom panel cross bar A	1	2
23	Side shelf hook	1	4	50	Bottom panel cross bar B	1	2
24	Side shelf, left	1	1	51	Bottom panel	1	1
25	Warming rack	1	1	52	Cart beam, front	1	1
26	Charcoal tray	1	1	53	Heat shield panel	1	2
27	Charcoal tray support	1	1	54	Side shelf trim piece, right	1	1

LISTE DES PIÈCES

N°	Pièce (description)	Couverture de la garantie (année)	QTÉ	N°	Pièce (description)	Couverture de la garantie (année)	QTÉ
1	Couvercle principal	1	1	28	Réglage du bac à charbon support en forme de L gauche	1	1
2	Charnière du couvercle principal	1	2	29	Réglage du bac à charbon support en forme de L droite	1	1
3	Haut de la cheminée	1	1	30	équerre de fixation pour barre de levage pour bac à charbon	1	2
4	Cheminée pour charbon	1	1	31	Montage pour le réglage du plateau à charbon	1	1
5	Couvercle d'indicateur de température	1	1	32	Support de montage pour le réglage du bac à charbon	1	2
6	Indicateur de température	1	1	33	Vis à niveau B	1	4
7	Siège de la poignée du couvercle principal	1	2	34	Cendrier à charbon	1	1
8	Poignée du couvercle principal	1	1	35	Assemblage de la poignée du cendrier à charbon	1	1
9	élévateur du grille de cuisson	1	1	36	Jambe de chariot arrière, gauche	1	1
10	Grille de cuisson avec trou	3	3	37	Jambe de chariot avant, gauche	1	1
11	Cuvette pour charbon	Non remplaçable	1	38	Roulette pivotante avec frein	1	1
12	Panneau de commande principal	1	1	39	Roulette pivotante	1	1
13	Support de réglage de la ventilation	1	1	40	Panneau latéral de soutien de la chambre de combustion	1	2
14	Vis à niveau A	1	4	41	Support de Cendrier à charbon latérale	1	2
15	Logo	1	1	42	Support de cendrier à charbon centre	1	1
16	Bouton de la porte de ventilation	1	1	43	Panneau arrière de soutien de la chambre de combustion	1	1
17	Panneau de ventilation	1	1	44	Panneau latéral droit	1	1
18	Bouton de commande du plateau à charbon	1	1	45	Jambe de chariot arrière, droite	1	1
19	Côté patte de étagère latérale A	1	2	46	Jambe de chariot avant, droite	1	1
20	Panneau de garniture de étagère latérale gauche	1	1	47	Roue	1	2
21	Côté patte de étagère latérale B	1	2	48	Bouchon de roue	1	2
22	Vis de niveau de l'étagère latérale	1	8	49	Barre transversale du panneau inférieur A	1	2
23	Crochet du étagère latérale	1	4	50	Barre transversale du panneau inférieur B	1	2
24	Tablette latérale gauche	1	1	51	Panneau inférieur	1	1
25	Grille réchaud	1	1	52	Barre transversale du devant	1	1
26	Plateau à charbon	1	1	53	Protecteur thermique	1	2
27	Support du bac à charbon	1	1	54	Panneau de garniture de étagère latérale droite	1	1

LISTA DE PIEZAS

No.	Pieza (Descripción)	Garantía cobertura	CANT.	No.	Pieza (Descripción)	Garantía cobertura	CANT.
1	Tapa principal	1	1	28	Abrazadera izquierda en L de ajuste de la bandeja de carbon	1	1
2	Bisagra de la tapa principal	1	2	29	Abrazadera derecha en L de ajuste de la bandeja de carbon	1	1
3	Tapa de la chimenea	1	1	30	Abrazadera de sujeción de la varilla para levantar la bandeja de carbon	1	2
4	Chimenea de carbón	1	1	31	Ensamble trasero de ajuste de la bandeja de carbon	1	1
5	Medidor de temperature carcasa	1	1	32	Broche de conexión del ensamble de ajuste de la bandeja de carbon	1	2
6	Medidor de temperatura	1	1	33	Ensamble delantero de ajuste de la bandeja de carbon	1	4
7	Asiento de la tapa principal	1	2	34	Charola de cenizas del carbon	1	1
8	Tubo de la tapa principal	1	1	35	Mango de la charola de cenizas del carbon ensamble	1	1
9	Elevador de la parrilla de cocción	1	1	36	Pata izquierda trasera del carro	1	1
10	Rejilla de cocción con agujero	3	3	37	Pata delantera izquierda del carro	1	1
11	Embudo de carbon ensamble	No reemplazable	1	38	Rueda giratoria con freno	1	1
12	Panel de control principal	1	1	39	Rueda giratoria	1	1
13	Abrazadera de ajuste de la ventilación	1	1	40	Panel lateral de soporte del fogón	1	2
14	Tornillo tira fondo A	1	4	41	Abrazadera lateral del soporte de la charola de cenizas del carbon	1	2
15	Logotipo	1	1	42	Abrazadera central del soporte de la charola de cenizas del carbon	1	1
16	Puerta de ventilación perilla de control	1	1	43	Panel trasero de soporte del fogón	1	1
17	Panel de ventilación	1	1	44	Estante lateral derecho	1	1
18	Control de la bandeja de carbon perilla	1	1	45	Pata derecha trasera del carro	1	1
19	Soporte del estante lateral abrazadera A	1	2	46	Pata derecha frontal del carro	1	1
20	Moldura del estante lateral izquierdo	1	1	47	Rueda	1	2
21	Soporte del estante lateral abrazadera B	1	2	48	Cubierta de la rueda	1	2
22	Tornillo tira fondo del estante lateral	1	8	49	Travesaño del panel inferior A	1	2
23	Gancho del estante lateral	1	4	50	Travesaño del panel inferior B	1	2
24	Estante lateral izquierdo	1	1	51	Panel inferior	1	1
25	Plataforma calentadora	1	1	52	Balancín delantero del carro	1	1
26	Bandeja de carbón	1	1	53	Panel de la pantalla contra el calor	1	2
27	Soporte de la bandeja de carbón	1	1	54	Moldura del estante lateral derecha	1	1

®/™ ©2018 KitchenAid. All rights reserved.
Manufactured under license by Nexgrill Industries, Inc., Chino, CA.
Limited warranty provided by manufacturer.
®/™ ©2018 KitchenAid. Todos los derechos reservados.
Fabricado bajo licencia por Nexgrill Industries, Inc., Chino, CA.
Garantía limitada provista por el fabricante.
®/™ ©2018 KitchenAid. Tous droits réservés.
Fabriqué sous licence par Nexgrill Industries, Inc., Chino, CA.
Garantie limitée fournie par le fabricant.

810-0021
© 2018
All rights reserved.
Todos los derechos reservados.
Tous droits réservés.

10/18
Printed in China
Impreso en China
Im-primé en Chine