

FREESTANDING OUTDOOR ISLAND GRILL

Installation Instructions and Use & Care Guide

For questions about features, operation/performance, parts, accessories or service, call: **1-877-373-2301**
or visit our website at **www.Kitchenaidgrills.com**

Languages spoken: English, Spanish, French 8 a.m.-5 p.m., PST. Monday-Friday.

ASADOR AL AIRE LIBRE DE ISLA

Instrucciones de instalación y Manual de uso y cuidado

Para consultas respecto a características, funcionamiento, rendimiento, piezas, accesorios o servicio técnico, llame al: **1-877-373-2301**
o visite nuestro sitio de internet en **www.Kitchenaidgrills.com**

Lenguajes hablados: Inglés, Español y Francés de 8 a.m.-5 p.m., PST. Lunes-Viernes.

PIED EXTÉRIEUR ISLAND GRILL

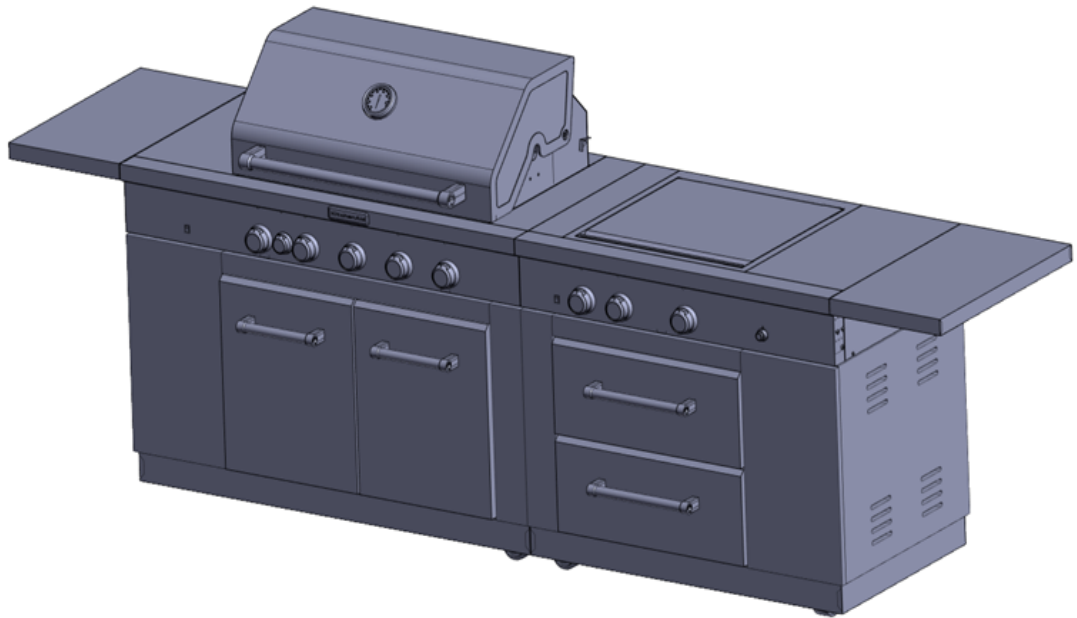
Instructions d'installation et Guide d'utilisation et d'entretien

Pour des questions à propos des caractéristiques, du fonctionnement/rendement, des pièces, des accessoires ou du service,
composer le: **1-877-373-2301**

ou visiter notre site web **www.Kitchenaidgrills.com**

Langues parlées: anglais, espagnol, français entre 8 h et 17 h, HNP, du lundi au vendredi.

Table of Contents/Índice/Table des matières..... 2



19000637A0

IMPORTANT, RETAIN FOR FUTURE REFERENCE: READ CAREFULLY.
IMPORTANTE, CONSERVAR PARA FUTURAS REFERENCIAS: LEA CUIDADOSAMENTE.
IMPORTANT, CONSERVER POUR RÉFÉRENCE FUTURE: LIRE ATTENTIVEMENT.

860-0003B(LP) 870-0003B (NG)

TABLE OF CONTENTS

OUTDOOR GRILL SAFETY	3	Using Your Outdoor Grill	32
PACKAGE PARTS LIST	5	Using Your Rotisserie Burner.....	34
ASSEMBLY INSTRUCTIONS	7	Using Your Sear Burner.....	35
INSTALLATION REQUIREMENTS	20	Using Your Side Burner.....	36
Location requirements.....	20	TIPS FOR OUTDOOR GRILLING	37
Product Dimensions.....	21	Cooking Methods	37
Gas Supply Requirements.....	22	Rotisserie Cooking Tips	38
Gas Connection Requirements.....	22	Grilling Chart	39
Make Gas Connection	24	OUTDOOR GRILL CARE	41
GAS CONVERSION	25	Replacing the Igniter Battery	41
Tools and Parts for Gas Conversion	25	General Cleaning	41
Conversion from LP Gas to Natural Gas.....	25	TROUBLESHOOTING	53
Make Gas Connection.....	26	ASSISTANCE	43
Checking and Adjusting Burners.....	31	Accessories.....	43
OUTDOOR GRILL USE	32	WARRANTY	44
		REPLACEMENT PARTS	102

ÍNDICE

SEGURIDAD DEL ASADOR PARA EXTERIORES	46	Cómo usar el asador para exteriores	60
LISTA DE CONTENIDO DEL PAQUETE	5	Uso del quemador delrostizador.....	62
INSTRUCCION DE MONTAJE	7	Uso del quemador secador.....	63
REQUISITOS DE INSTALACIÓN	48	Uso del quemador lateral.....	64
Requisitos de ubicación	48	CONSEJOS PARA ASAR AL AIRE LIBRE	65
Medidas del producto	49	Métodos de cocción	65
Requisitos del suministro de gas	50	Consejos para la cocción con el rostizador	66
Requisitos para la conexión de gas	51	Cuadro para asar	67
Conexión del suministro de gas	52	CUIDADO DEL ASADOR PARA EXTERIORES	69
CONVERSIONES DE GAS	53	Cómo reemplazar labatería del encendedor	69
Herramientas y piezas para la conversión de gas	53	Limpeza general	69
Conversión de gas LP a gas natural	53	SOLUCIÓN DE PROBLEMAS	71
Revise y regule los quemadores	59	ASISTENCIA	71
USO DEL ASADOR PARA EXTERIORES	60	GARANTÍA	72
		PIEZAS DE REPUESTO	102

TABLE DES MATIÈRES

SÉCURITÉ DU GRIL D'EXTÉRIEUR	74	Utilisation du gril d'extérieur	88
LISTE DES PIÈCES DE L'EMBALLAGE	5	Utilisation du brûleur de tournebroche.....	90
CONSIGNES POUR L'ASSEMBLAGE	7	Utilisation de votre brûleur à infrarouge.....	91
EXIGENCES D'INSTALLATION	76	Utilisation de votre brûleur lateral.....	92
Exigences d'emplacement	76	CONSEILS POUR L'UTILISATION DU GRIL	
Dimensions du produit	77	D'EXTÉRIEUR	93
Spécifications de l'alimentation en gaz	78	Méthodes de cuisson	94
Exigences concernant le raccordement au gaz.....	79	Tableau de cuisson au gril	94
Raccordement au gaz.....	80	ENTRETIEN DU GRIL D'EXTÉRIEUR	95
CONVERSIONS POUR CHANGEMENT DE GAZ	81	Remplacement de la pile de l'allumeur	97
Outils et pièces pour conversion de gaz	81	Conseils de cuisson à l'aide du tournebroche	97
Conversion de propane à gaz naturel	81	Nettoyage général	97
Raccordement au gaz	86	DÉPANNAGE	99
Contrôle et réglage des brûleurs	87	ASSISTANCE	99
UTILISATION DU GRIL D'EXTÉRIEUR	88	GARANTIE	100
		PIÈCES DE RECHANGE	102

OUTDOOR GRILL SAFETY

Your safety and the safety of others are very important.

We have provided many important safety messages in this manual and on your appliance. Always read and obey all safety messages.



This is the safety alert symbol.

This symbol alerts you to potential hazards that can kill or hurt you and others.

All safety messages will follow the safety alert symbol and either the word "DANGER" or "WARNING."

These words mean:

 **DANGER**

You can be killed or seriously injured if you don't immediately follow instructions.

 **WARNING**

You can be killed or seriously injured if you don't follow instructions.

All safety messages will tell you what the potential hazard is, tell you how to reduce the chance of injury, and tell you what can happen if the instructions are not followed.



DANGER

If you smell gas:

- Shut off gas to the appliance.
- Extinguish any open flame.
- Open lid.
- If odor continues, keep away from the appliance and immediately call your gas supplier or your fire department.



WARNING

1. Do not store or use gasoline or other flammable liquids or vapors in the vicinity of this or any other appliance.
2. An LP cylinder not connected for use shall not be stored in the vicinity of this or any other appliance.

State of California Proposition 65 Warnings:

WARNING: To operate, this equipment requires the use of propane gas, which contains the chemical Benzene which is known to the State of California to cause cancer and other reproductive harm.

WARNING: This product contains one or more chemicals known to the State of California to cause cancer.

WARNING: This product contains one or more chemicals known to the State of California to cause birth defects or other reproductive harm.

In the State of Massachusetts, the following installation instructions apply:

- Installations and repairs must be performed by a qualified or licensed contractor, plumber, or gasfitter qualified or licensed by the State of Massachusetts.
- If using a ball valve, it shall be a T-handle type.
- A flexible gas connector, when used, must not exceed 0.91 m / 3 ft.

IMPORTANT: This grill is manufactured for outdoor use only. For grills that are to be used at elevations above 609.6 m / 2,000 ft orifice conversion is required. See "Gas Supply Requirements" section. It is the responsibility of the installer to comply with the minimum installation clearances specified on the model/serial rating plate. The model/serial rating plate for freestanding models can be found on the left-hand cabinet door.

IMPORTANT SAFETY INSTRUCTIONS

WARNING: To reduce the risk of fire, electrical shock, injury to persons, or damage when using the outdoor cooking gas appliance, follow basic precautions, including the following:

- Do not install portable or built-in outdoor cooking gas appliances in or on a recreational vehicle, portable trailer, boat or in any other moving installation.
- Always maintain minimum clearances from combustible construction, see “Location Requirements” section.
- The outdoor cooking gas appliance shall not be located under overhead unprotected combustible construction.
- This outdoor cooking gas appliance shall be used only outdoors and shall not be used in a building, garage, or any other enclosed area.
- Keep any electrical supply cord and fuel supply hose away from any heated surfaces.
- Keep outdoor cooking gas appliance area clear and free from combustible material, gasoline and other flammable vapors and liquids.
- Do not obstruct the flow of combustion and ventilation air. Keep the ventilation openings of the cylinder enclosure free and clear from debris.
- Open the cabinet door and inspect the gas cylinder supply hose before each use of the outdoor cooking gas appliance. If the hose shows excessive abrasion or wear, or is cut, it **MUST** be replaced before using the outdoor cooking gas appliance. Contact your dealer and use only replacement hoses specified for use with the outdoor cooking gas appliance.
- Visually check the burner flames. They should be blue. Slight yellow tipping is normal for LP gas. The flames should be approximately 2.5 cm / 1 in high.
- Check and clean burner/venturi tube for insects and insect nest. A clogged tube can lead to fire under the outdoor cooking gas appliance.



- The LP gas supply cylinder to be used must be:
 - constructed and marked in accordance with the Specification for LP Gas cylinders of the U.S. Department of Transportation (DOT) or the National Standard of Canada, CAN/CSA-b339, Cylinders, Spheres, and Tubes for Transportation of Dangerous Goods; and Commission.
 - provided with a listed overfilling prevention device.
 - provided with a cylinder connection device compatible with the connection for outdoor cooking gas appliances.
- Always check connections for leaks each time you connect and disconnect the LP gas supply cylinder. See “Installation Instructions” section.
- When the outdoor cooking gas appliance is not in use, the gas must be turned off at the supply cylinder.
- Storage of an outdoor cooking gas appliance indoors is permissible only if the cylinder is disconnected and removed from the outdoor cooking gas appliance.
- Cylinders must be stored outdoors and out of the reach of children and must not be stored in a building, garage, or any other enclosed area.
- The pressure regulator and hose assembly supplied with the outdoor cooking gas appliance must be used. A replacement pressure regulator and hose assembly specific to your model is available from your outdoor cooking gas appliance dealer.
- Gas cylinder must include a collar to protect the cylinder valve.
- For appliances designed to use a CGA791 connection: Place a dust cap on cylinder valve outlet whenever the cylinder is not in use. Only install the type of dust cap on the cylinder valve outlet that is provided with the cylinder valve. Other types of caps or plugs may result in leakage of propane.

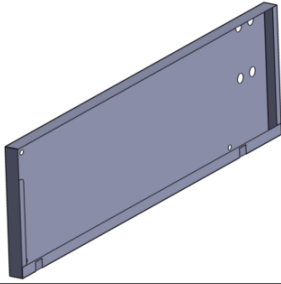
If the following information is not followed exactly, a fire causing death or serious injury may occur.

- Do not store a spare LP gas cylinder under or near this outdoor cooking gas appliance.
- Never fill the cylinder beyond 80 percent full.

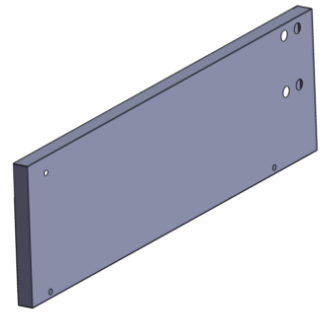
SAVE THESE INSTRUCTIONS

Package Parts List
Lista de contenido del paquete
Liste des pièces de l'emballage

1



2



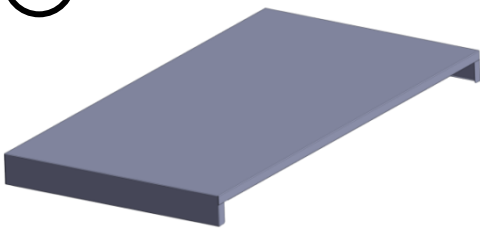
3 x2



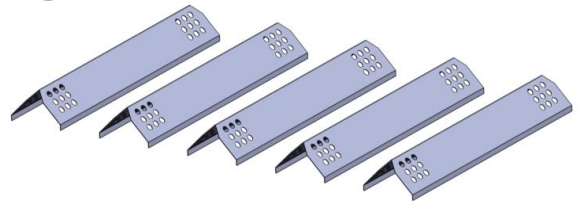
4 x2



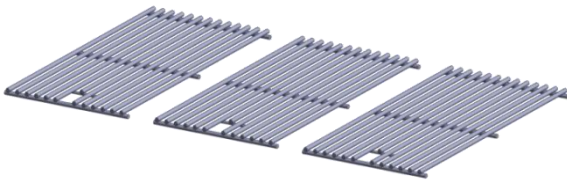
5 x2



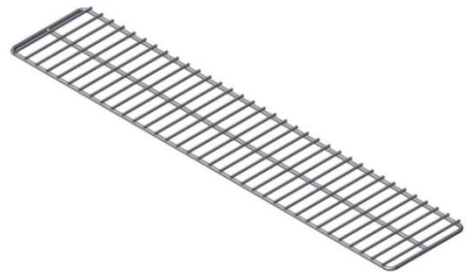
6 x5



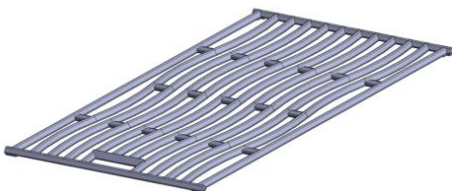
7 x3



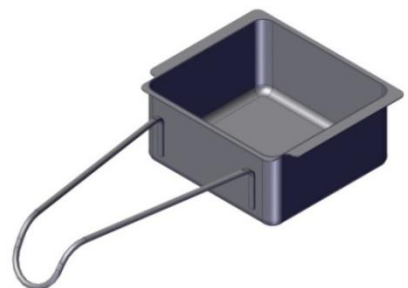
8



9

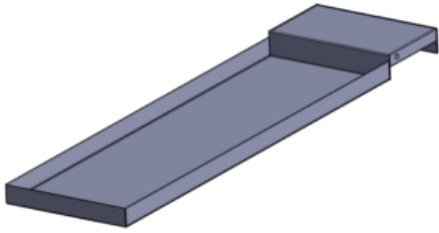


10



Package Parts List
Lista de contenido del paquete
Liste des pièces de l'emballage

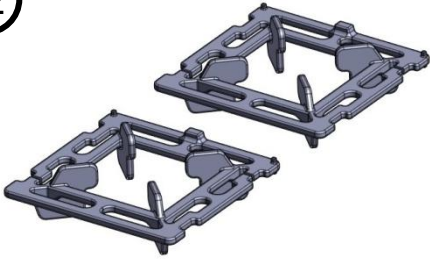
11



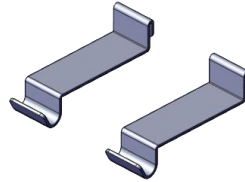
12 x6



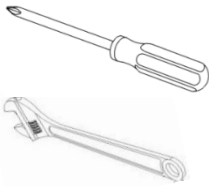
13 x2




14 x2




Tools Needed / Herramientas necesarias / Outillage Requis



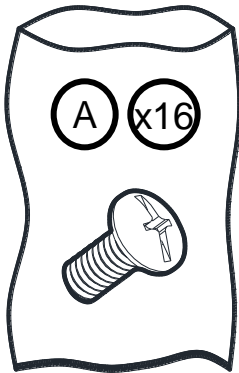
 Some parts come with Screws pre-installed. Loosen and tighten for final assembly.

 Algunas partes vienen con los tornillos pre instalados. Afloje y apriete para el ensamble final.

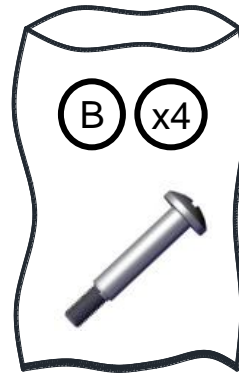
 Certaines pièces sont livrées avec les vis pré-installées. Desserrez et resserrez pour l'assemblage final.

**Hardware Package List
Lista de tornillos del paquete
Liste des vis de l'emballage**

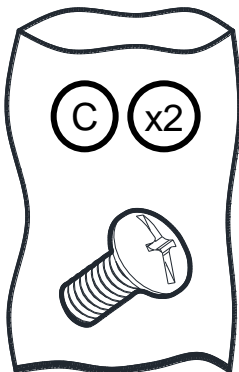
Truss Head Screw 1/4-20 x 1/2"
Tornillo de cabeza ovalada 1/4-20 x 1/2"
Vis cruciforme 1/4-20 x 1/2"



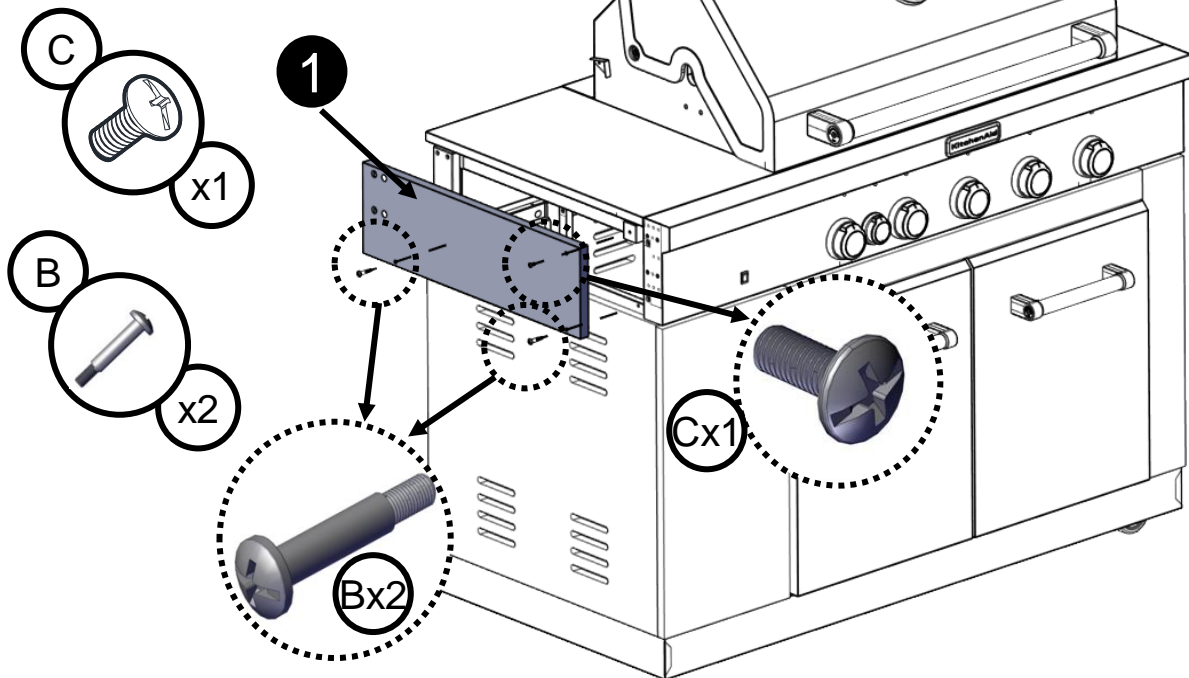
Truss Head Screw 5/32-32 x 15/16"
Tornillo de cabeza ovalada 5/32-32 x 15/16"
Vis cruciforme 5/32-32 x 15/16"



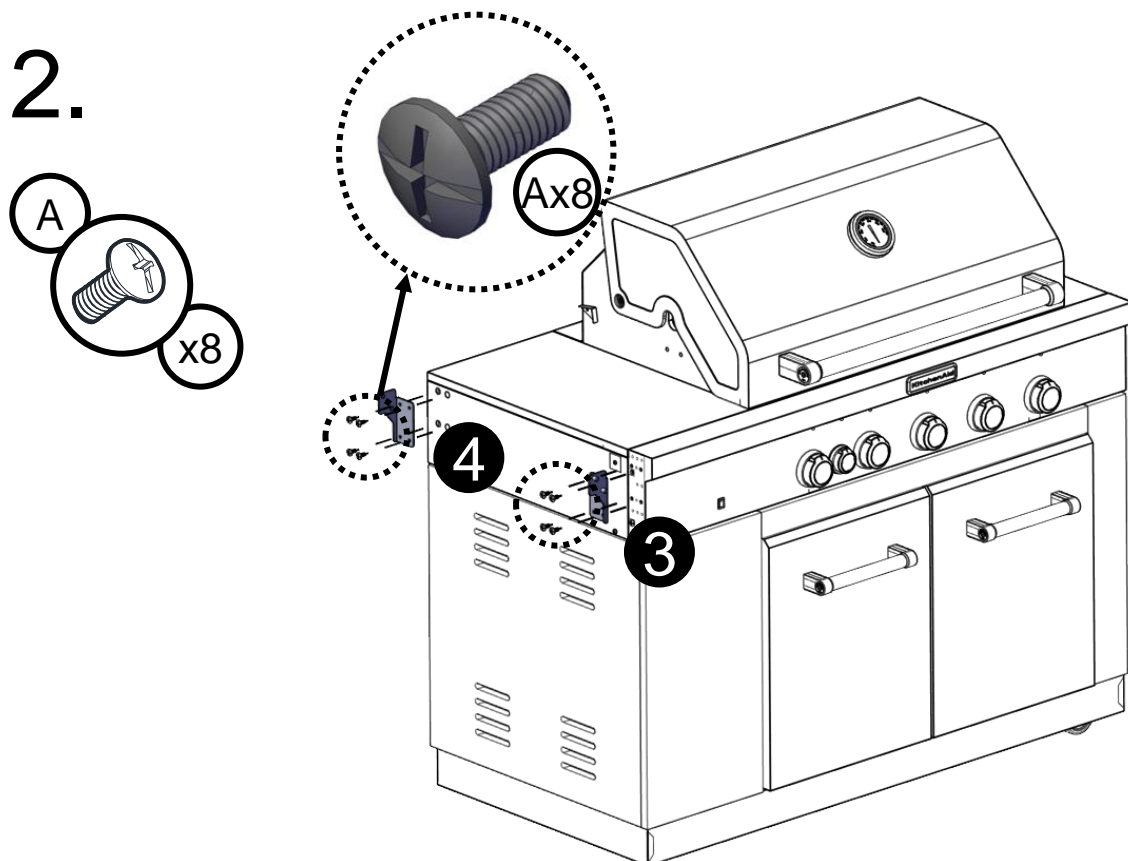
Truss Head Screw 5/32-32 x 3/8"
Tornillo de cabeza ovalada 5/32-32 x 3/8"
Vis cruciforme 5/32-32 x 3/8"



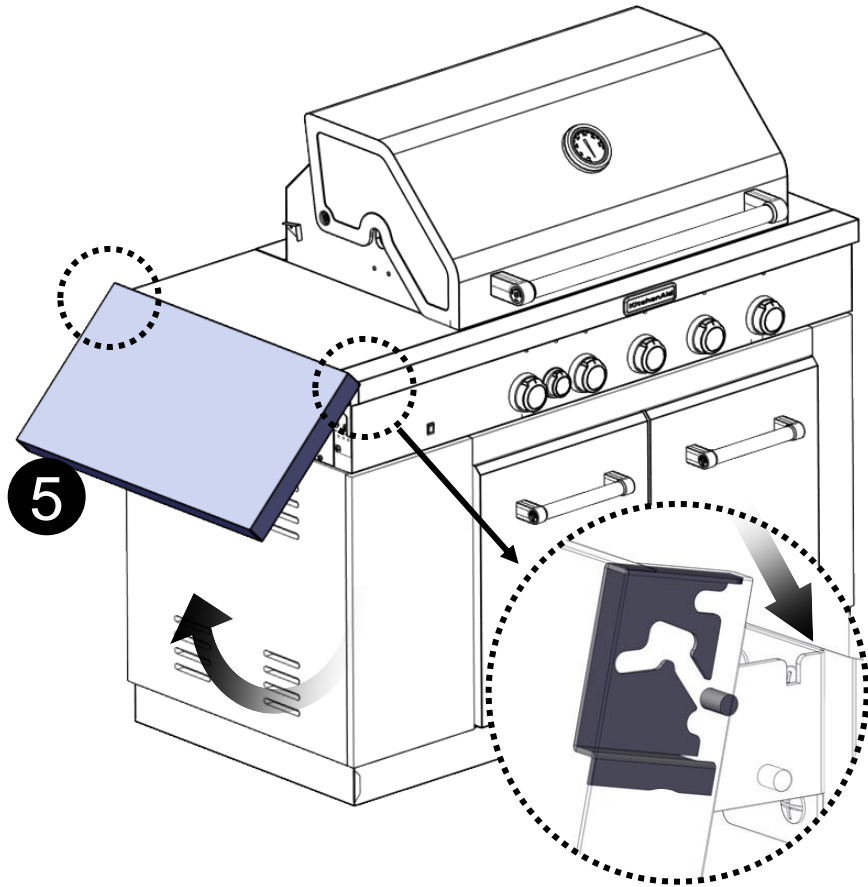
1.



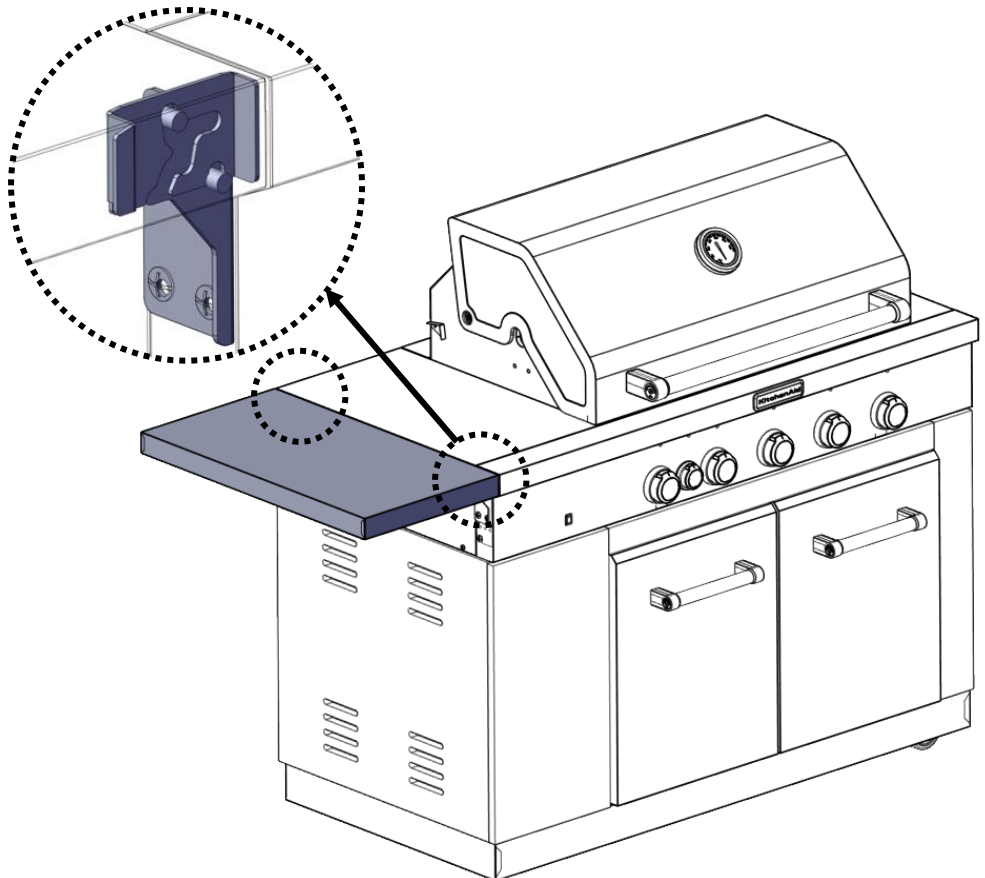
2.



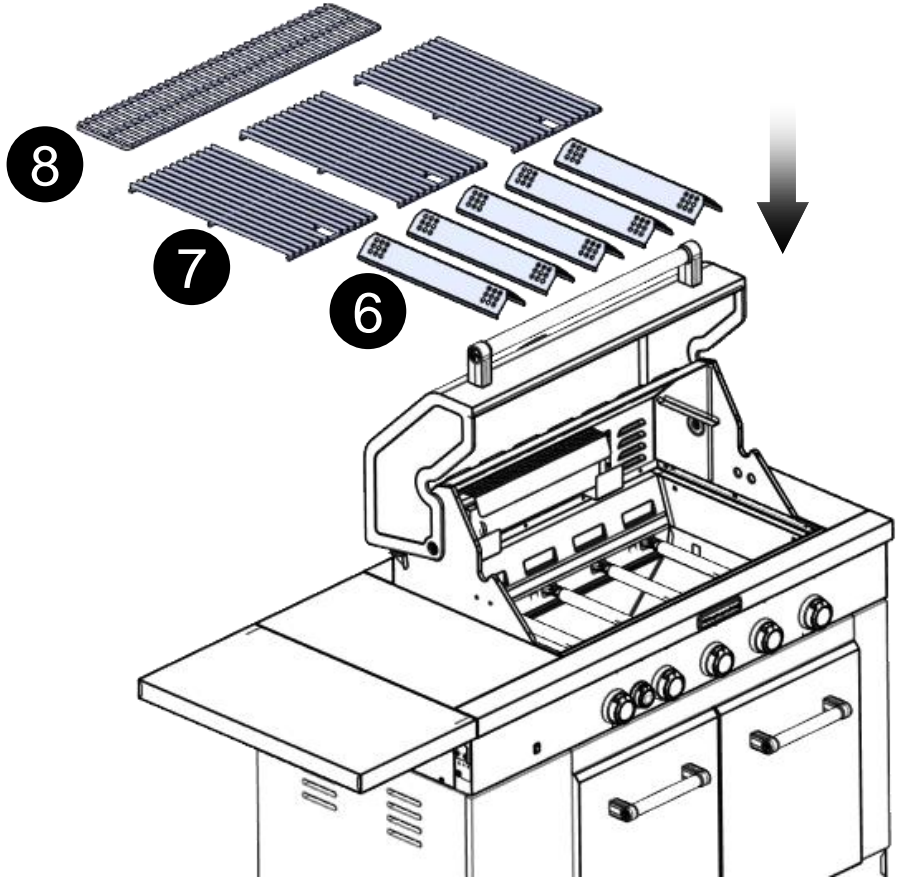
3.



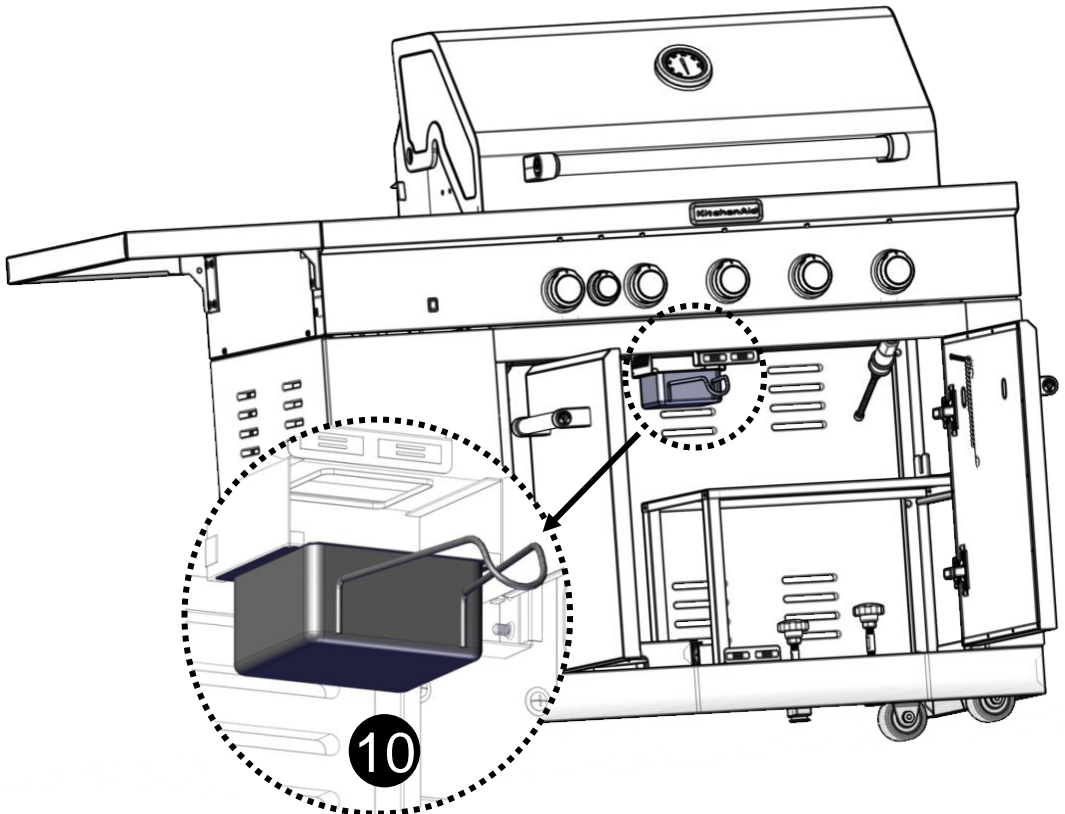
4.



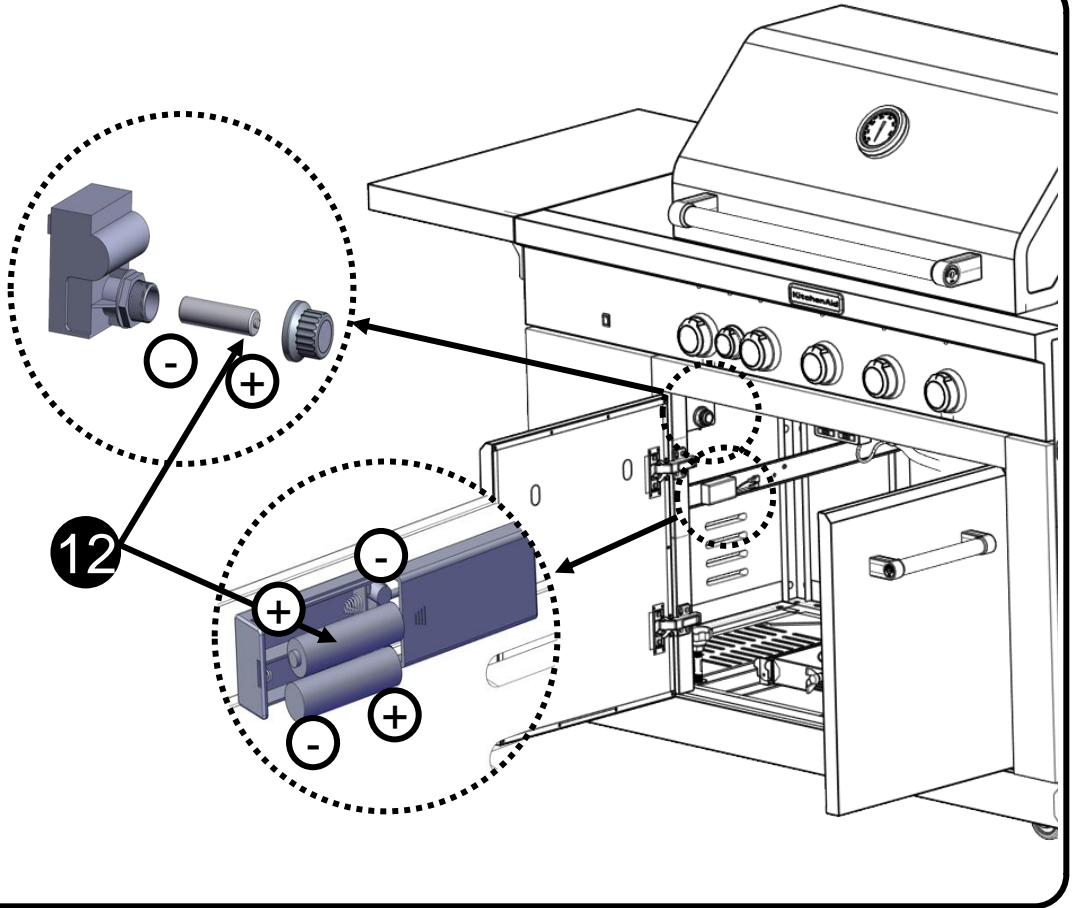
5.



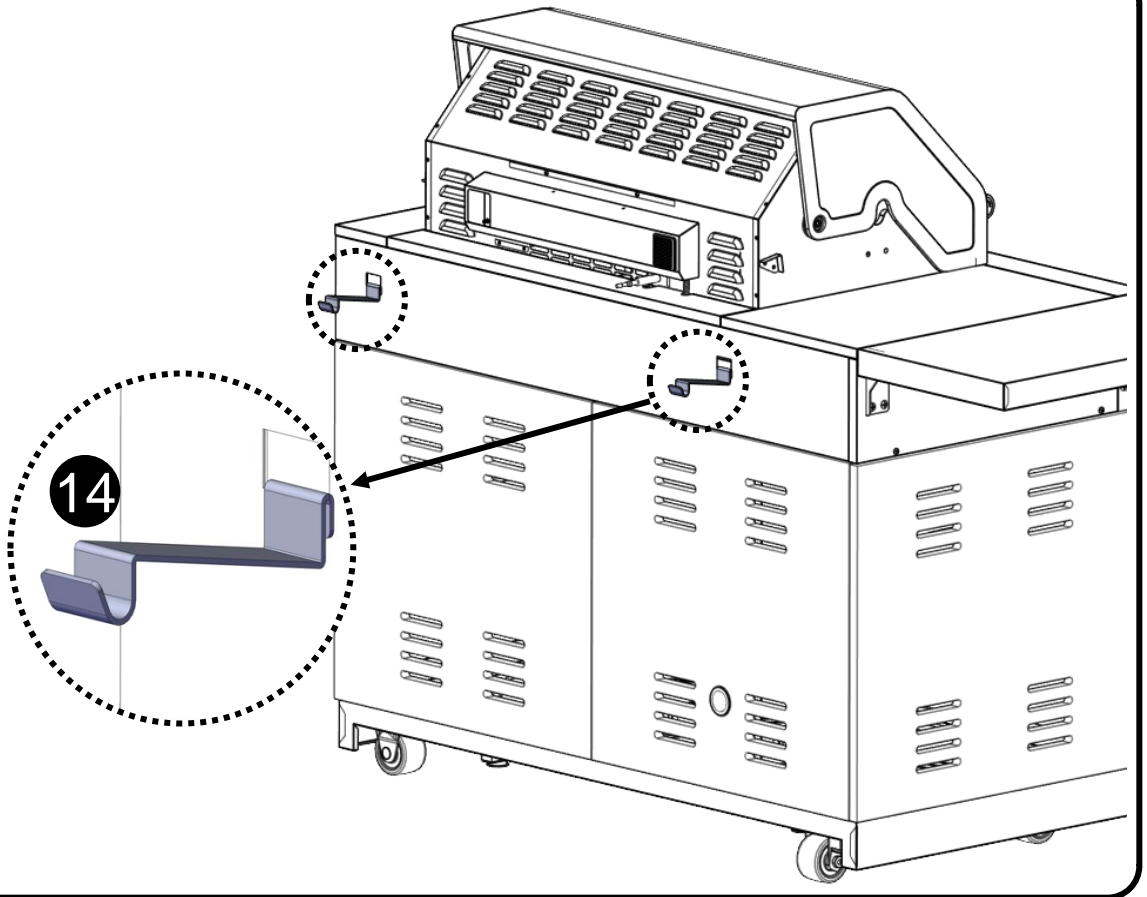
6.



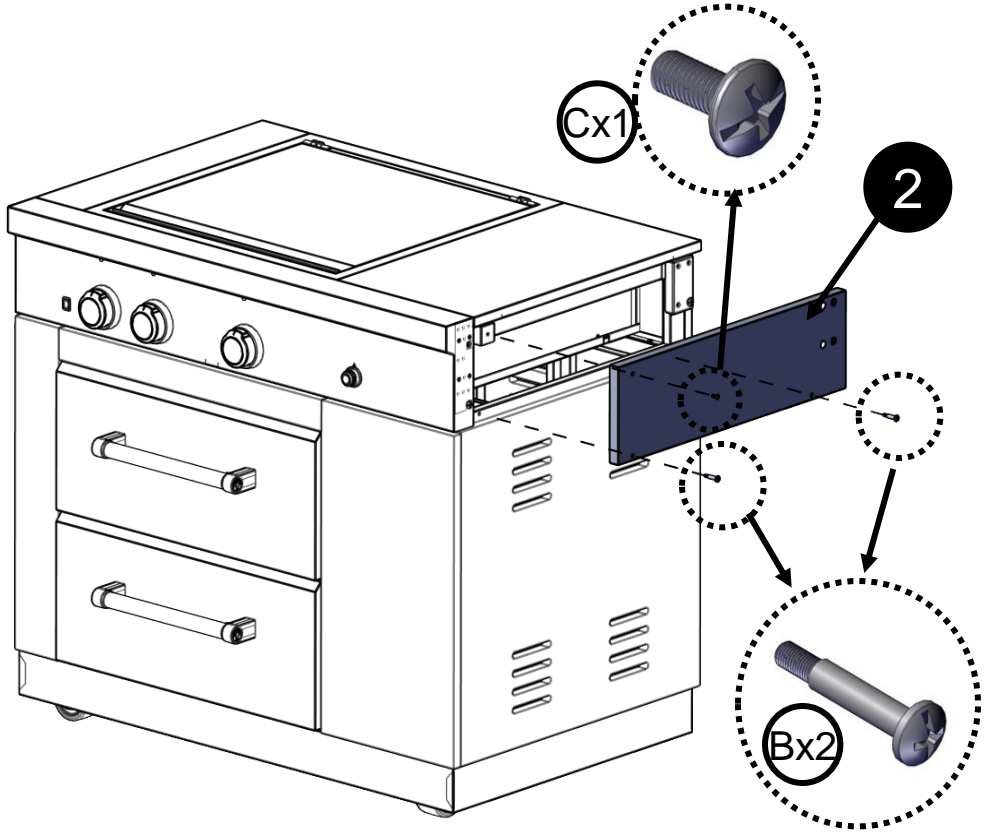
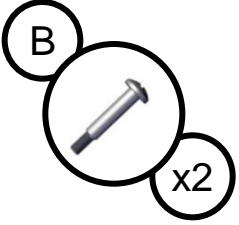
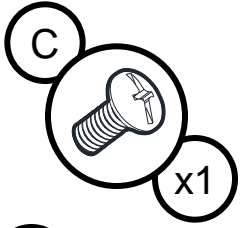
7.



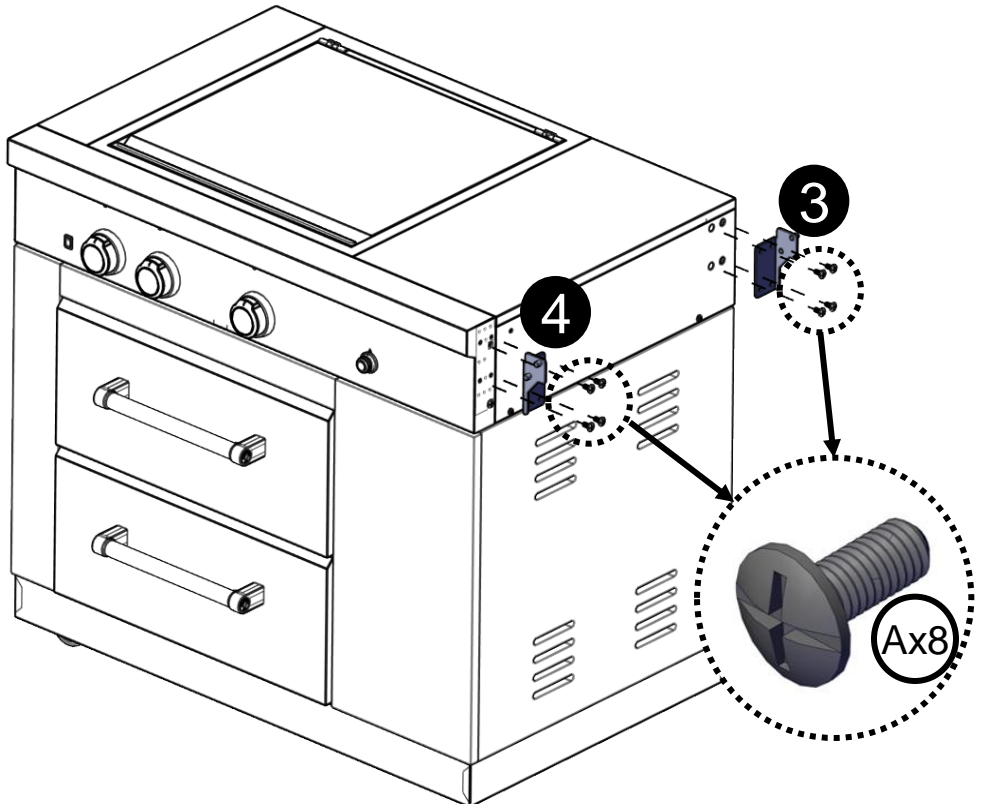
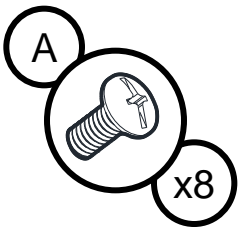
8.



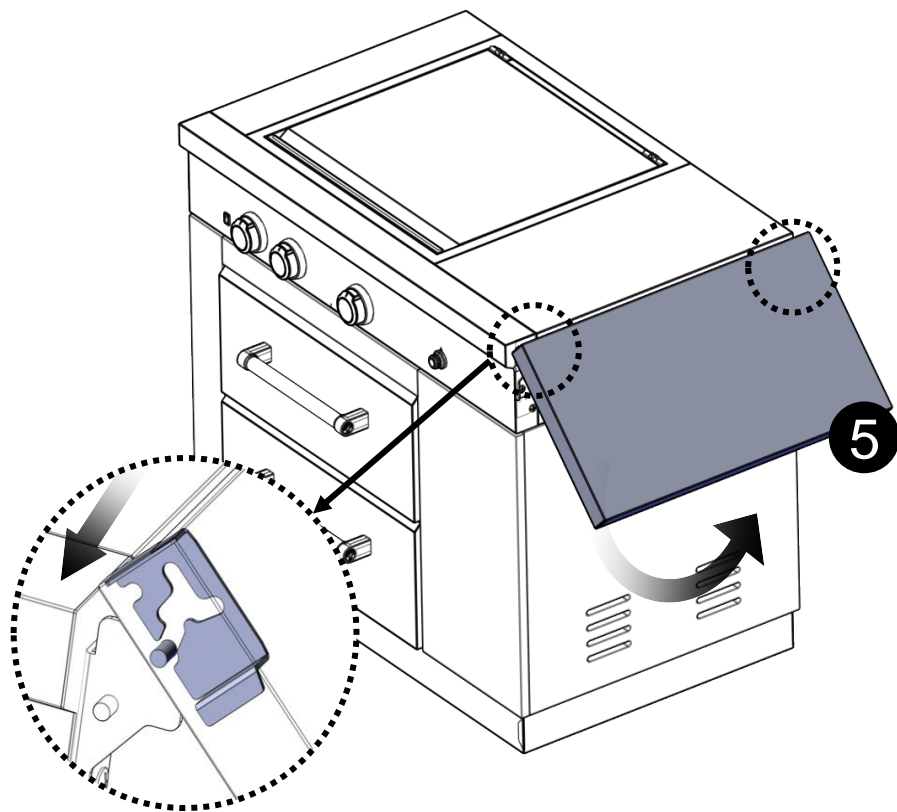
9.



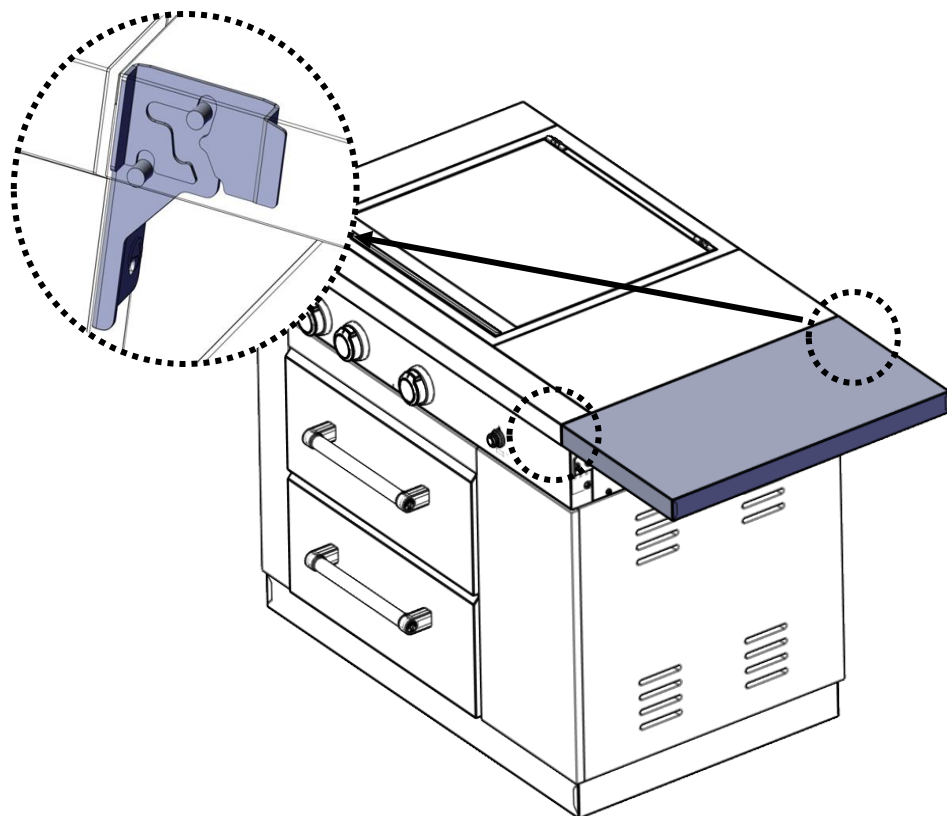
10.



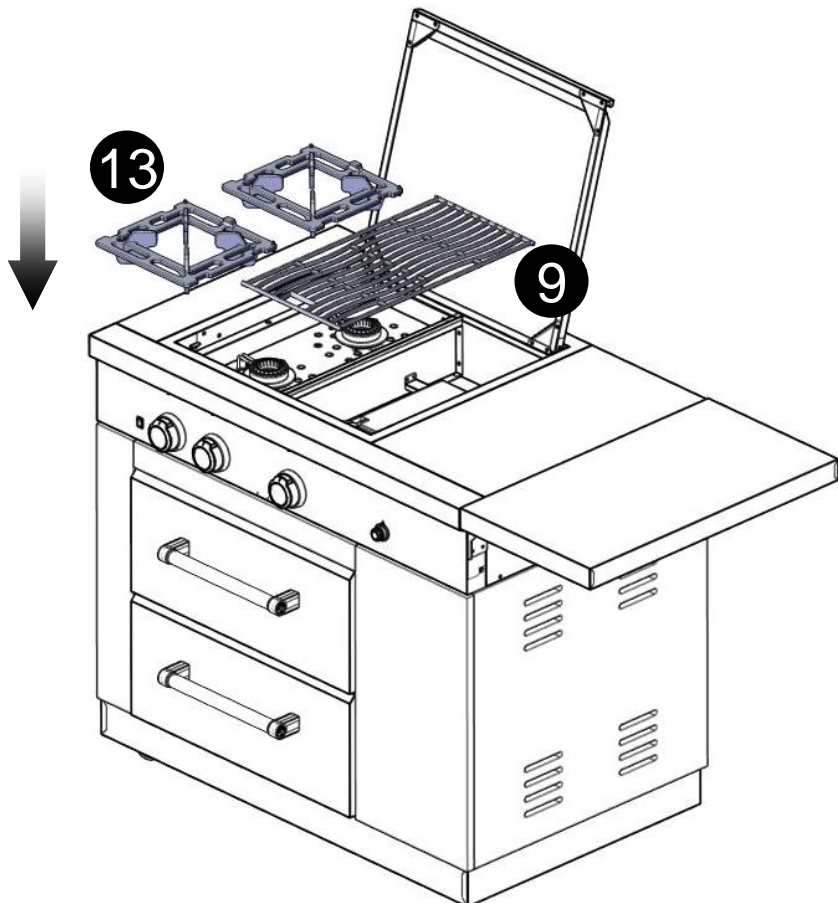
11.



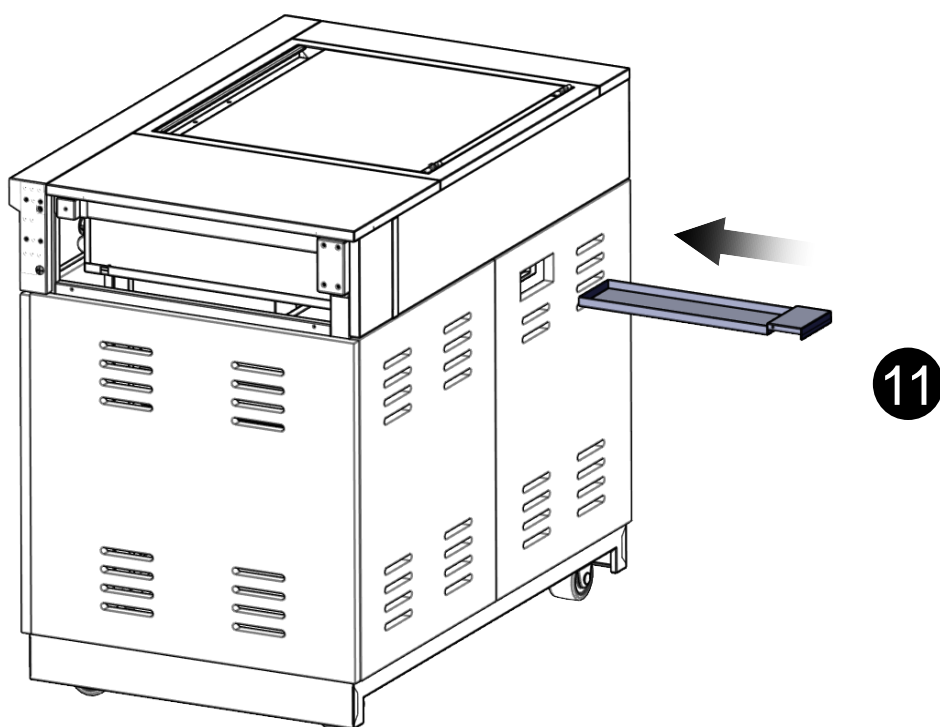
12.



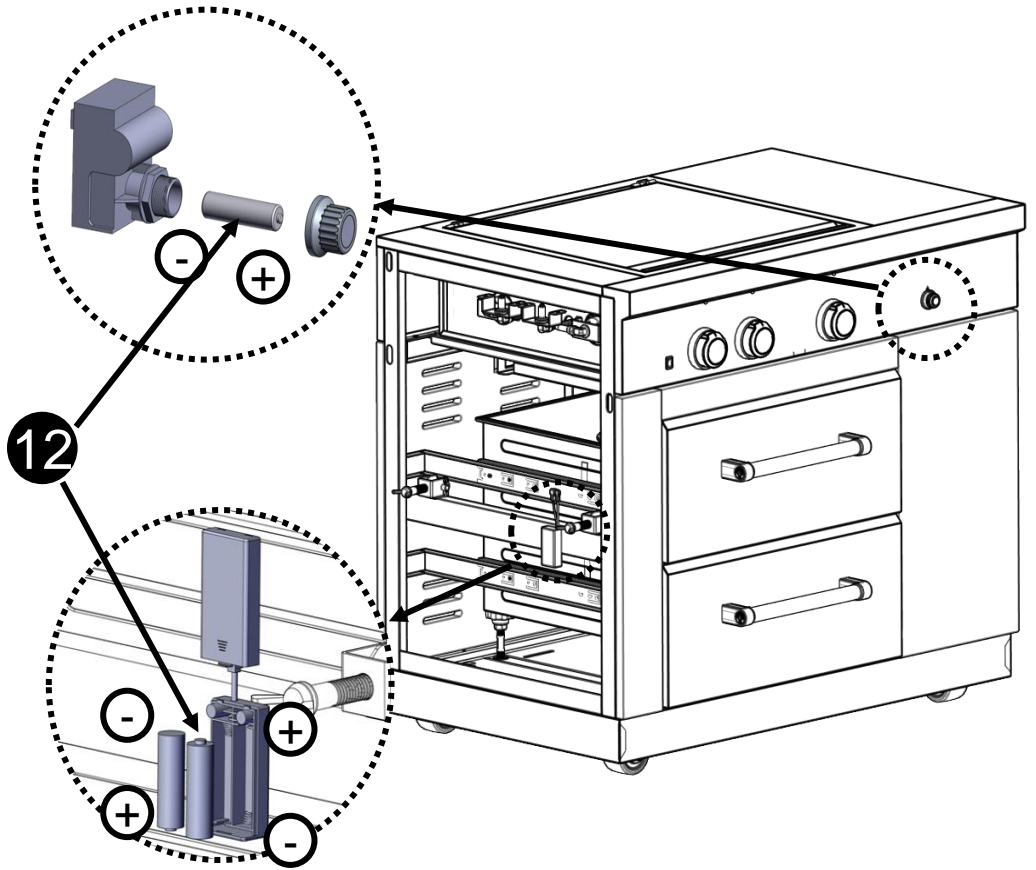
13.



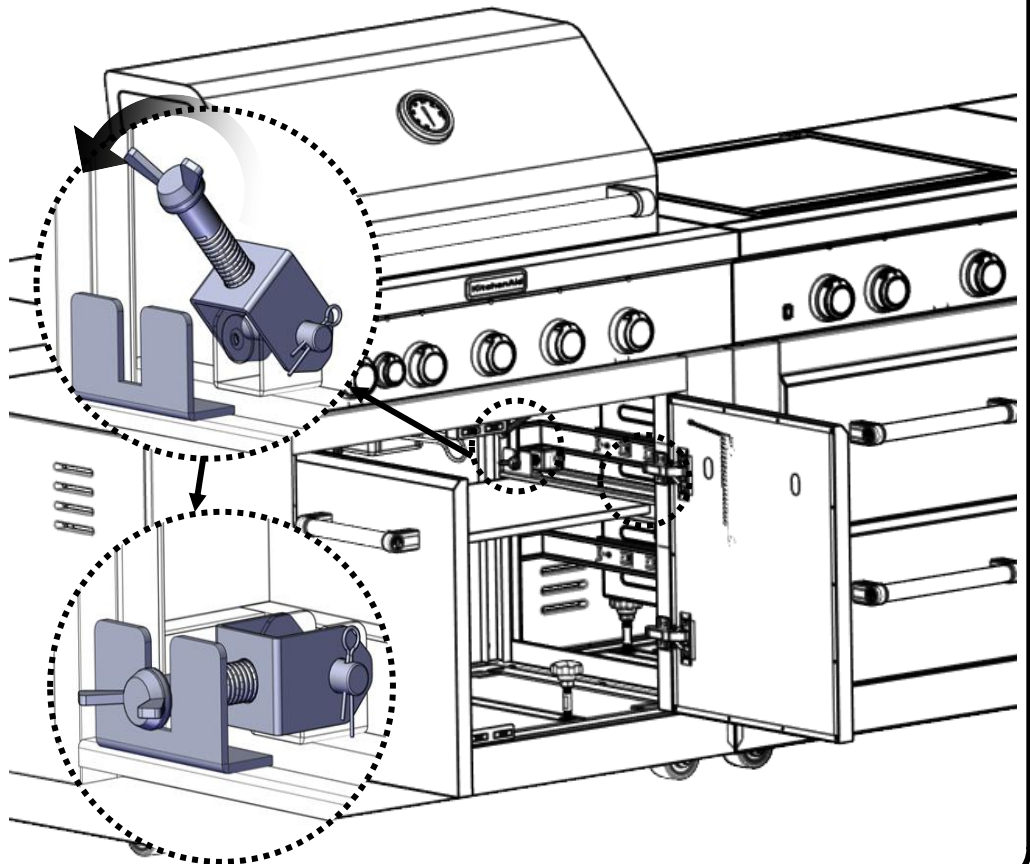
14.



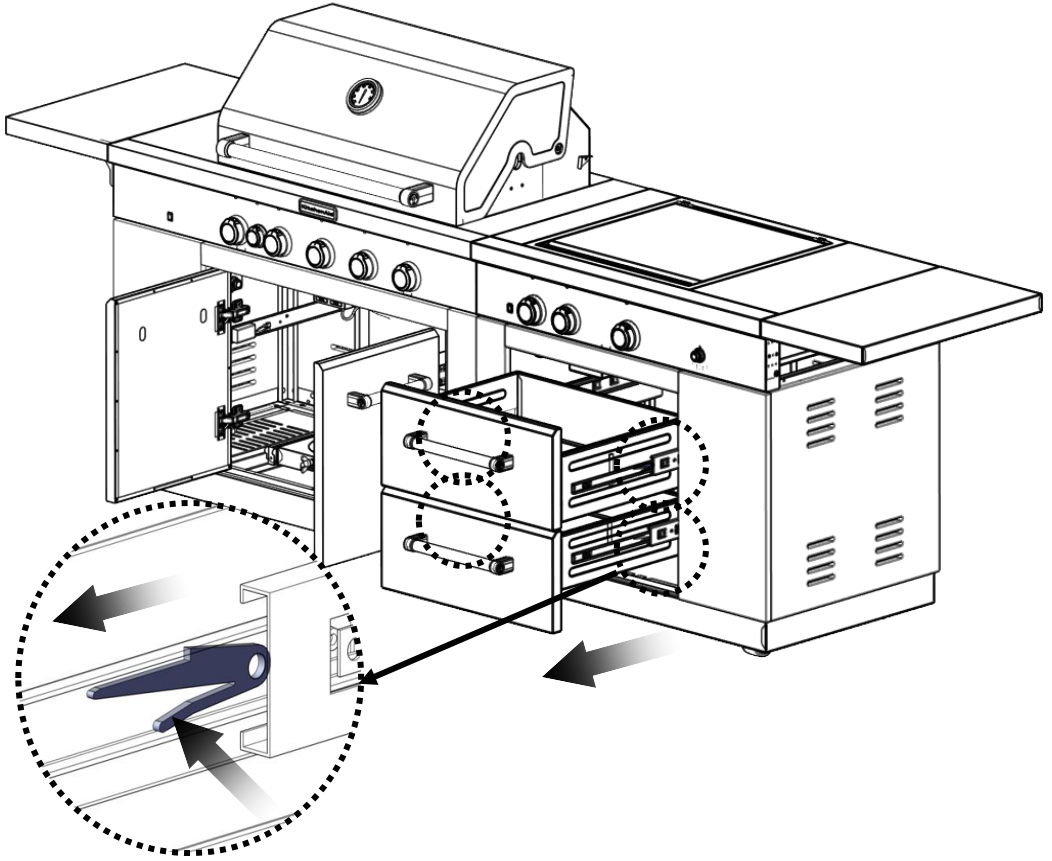
15.



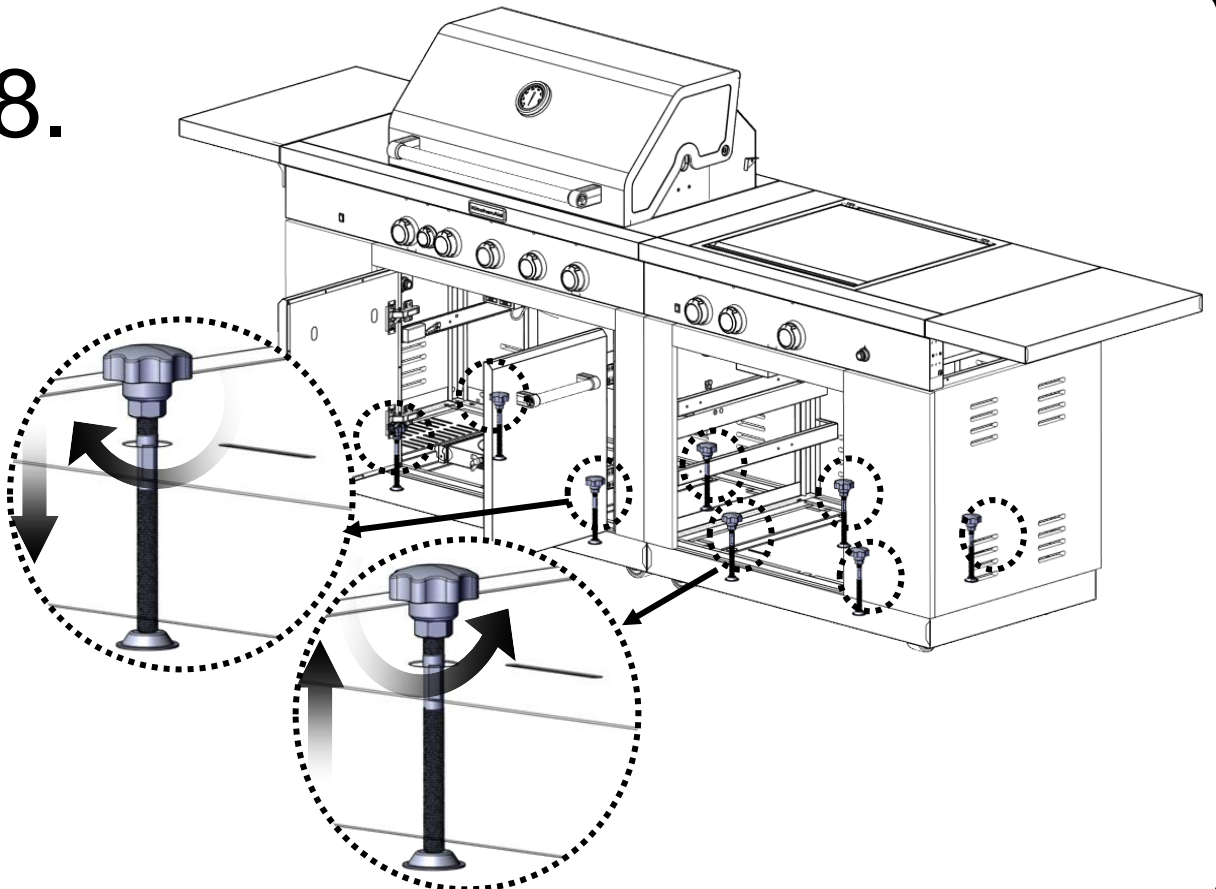
16.



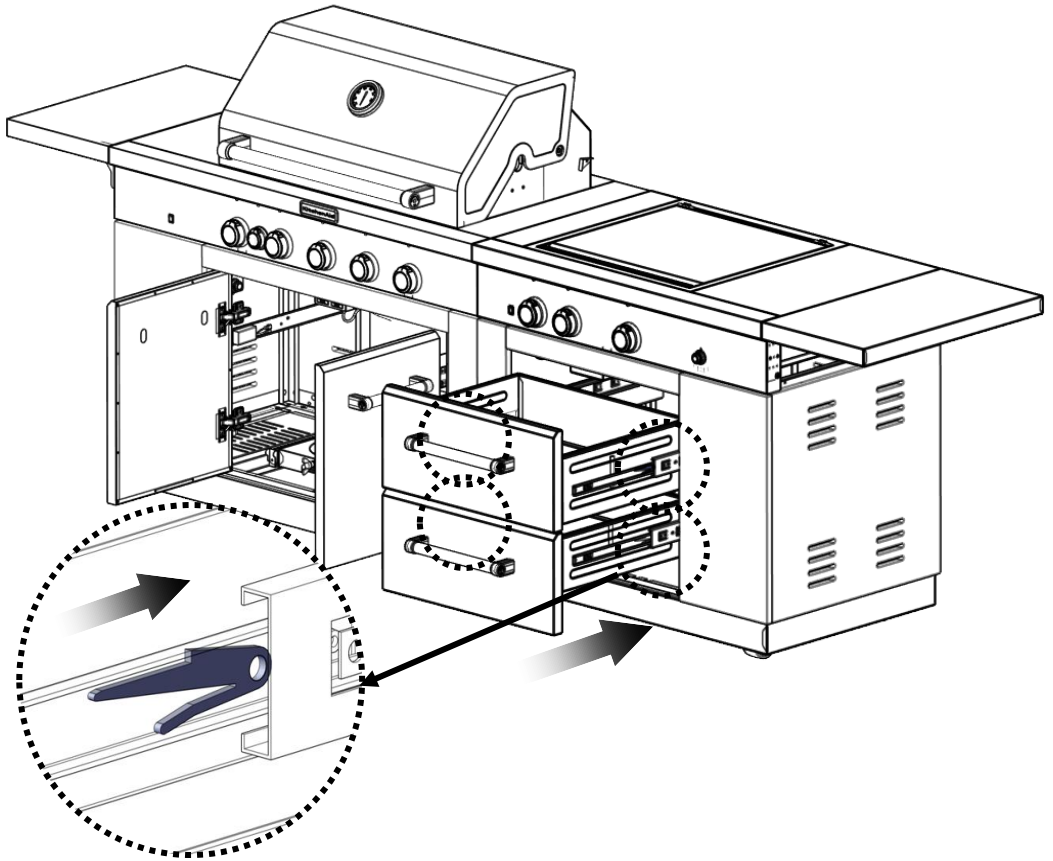
17.



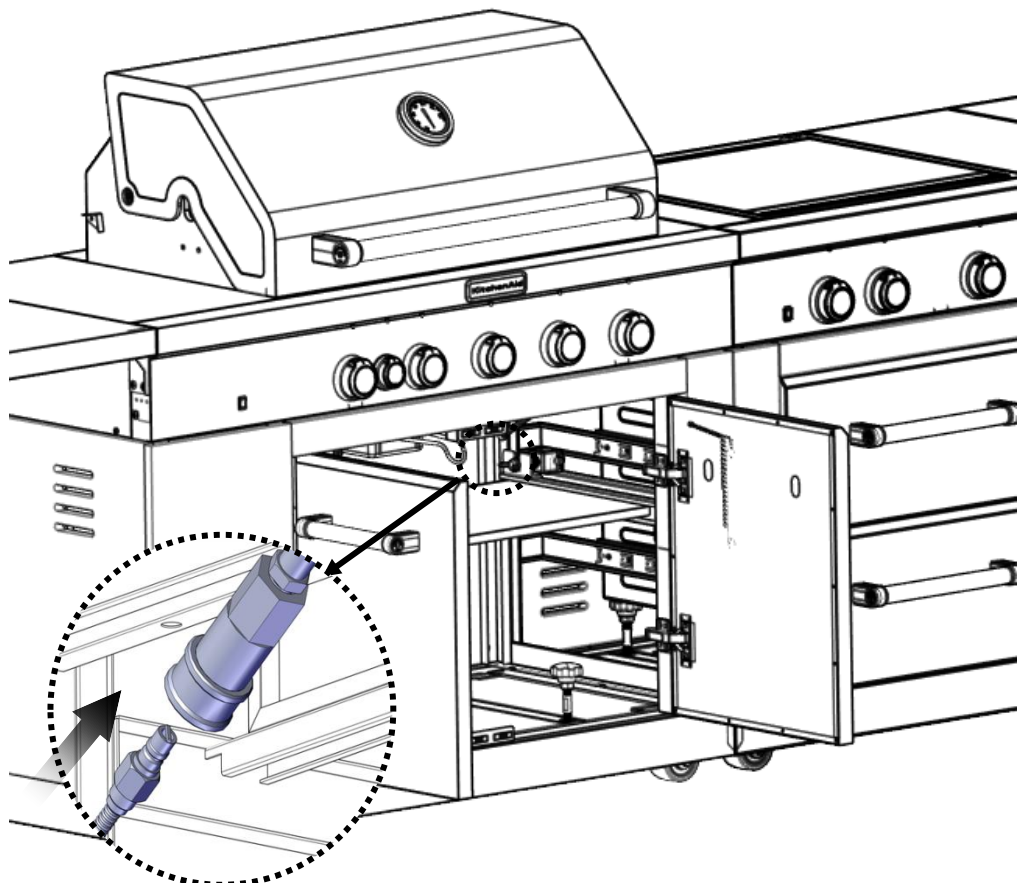
18.



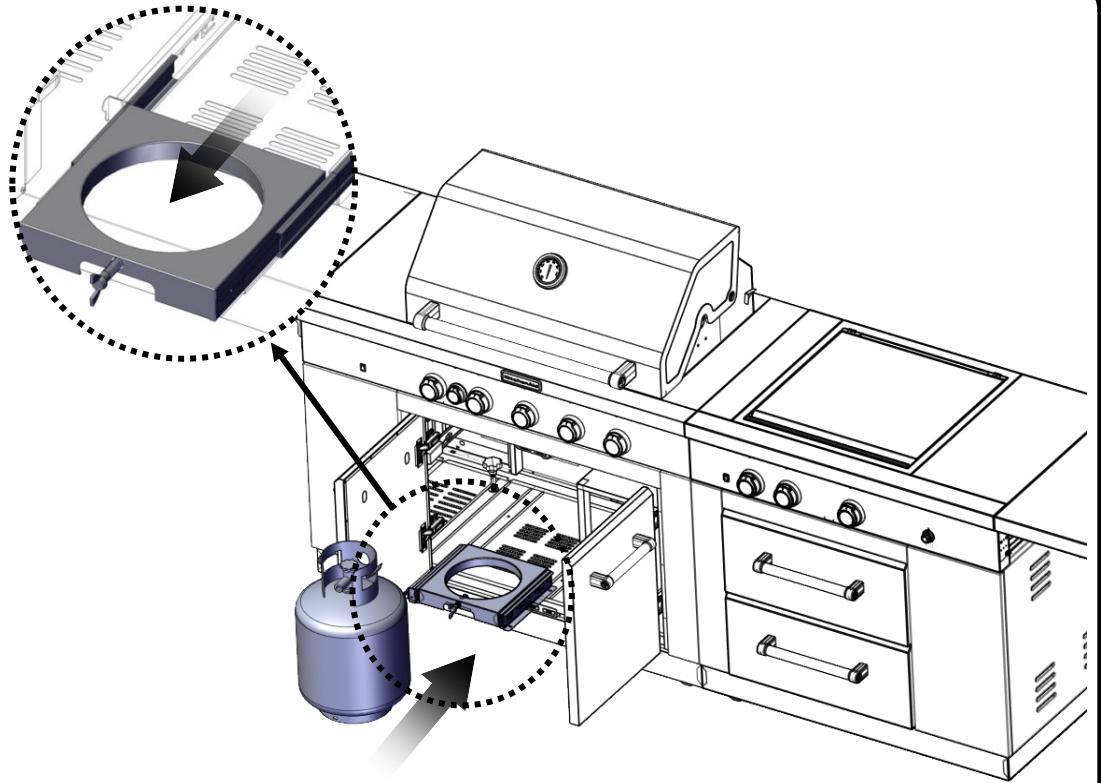
19.



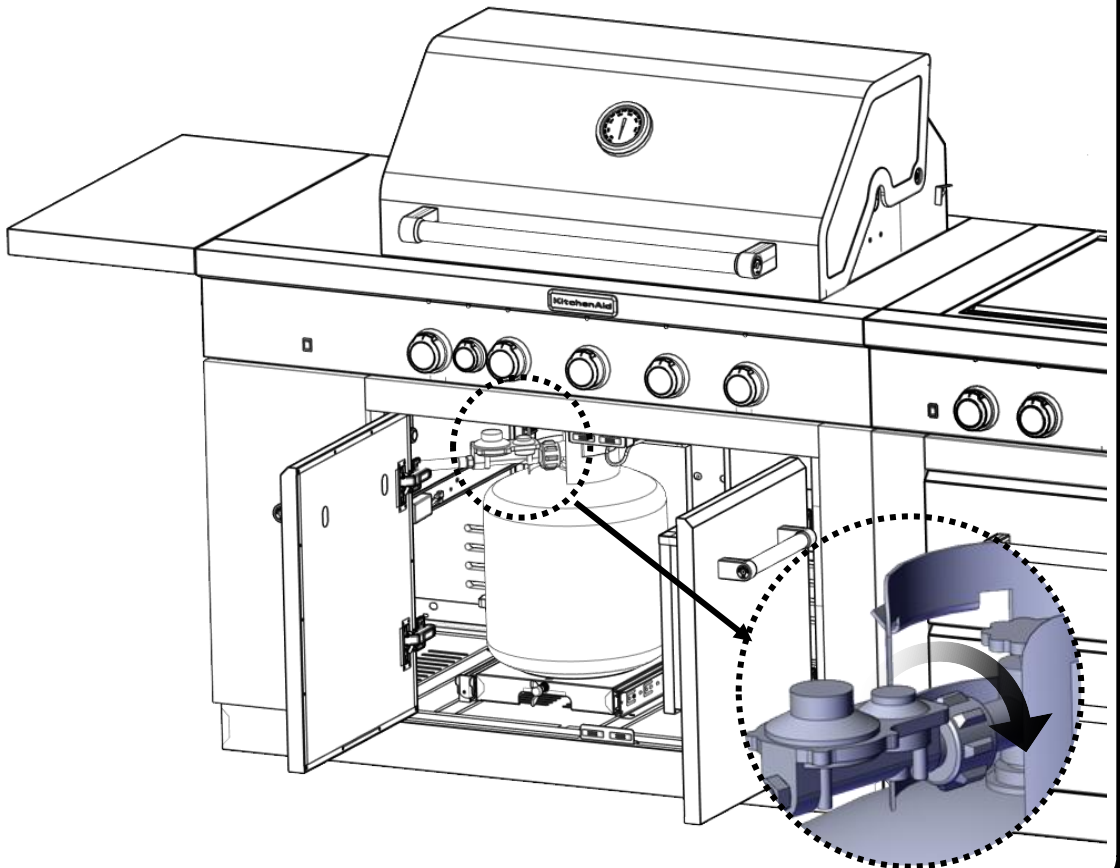
20.



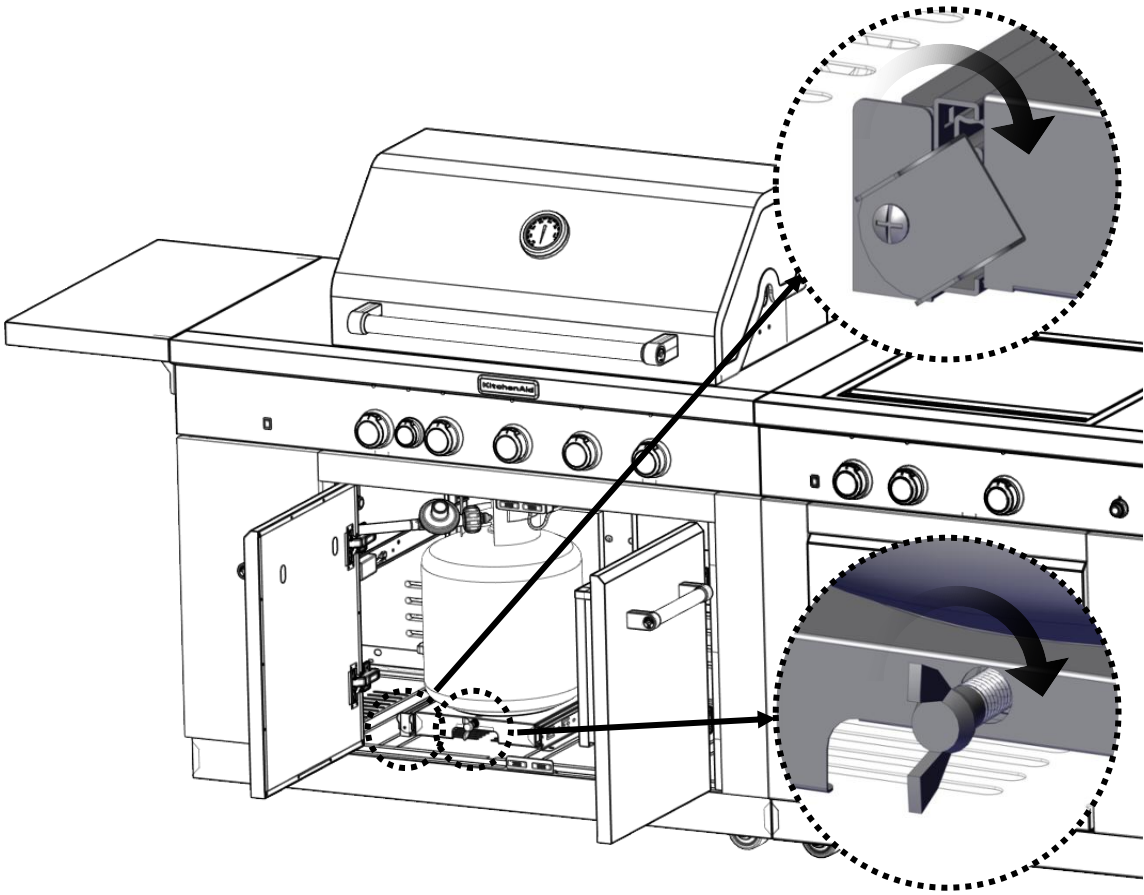
21.



22.



23.



INSTALLATION REQUIREMENTS

Location Requirements

⚠ WARNING



Explosion Hazard

Do not store fuel tank in a garage or indoors.

Do not store grill with fuel tank in a garage or indoors.

Failure to follow these instructions can result in death, explosion, or fire.

Select a location that provides minimum exposure to wind and traffic paths. The location should be away from strong draft areas.

Do not obstruct flow of combustion and ventilation air.

Clearance to combustible construction for grill:

- A minimum of 91 cm / 36 in must be maintained between the front of the grill hood, sides and back of the grill and any combustible construction.
- A 91 cm / 36 in minimum clearance must also be maintained below the cooking surface, and the grill shall not be used under overhead combustible construction.

Rotisserie (accessory is not included)*

If you equip your grill with a rotisserie, a 15.2 cm / 6 in minimum clearance is needed for the rotisserie motor.

A grounded, 3-prong outlet located to the left of the grill is required.

*See "Assistance" section to order.

⚠ WARNING



Fire Hazard

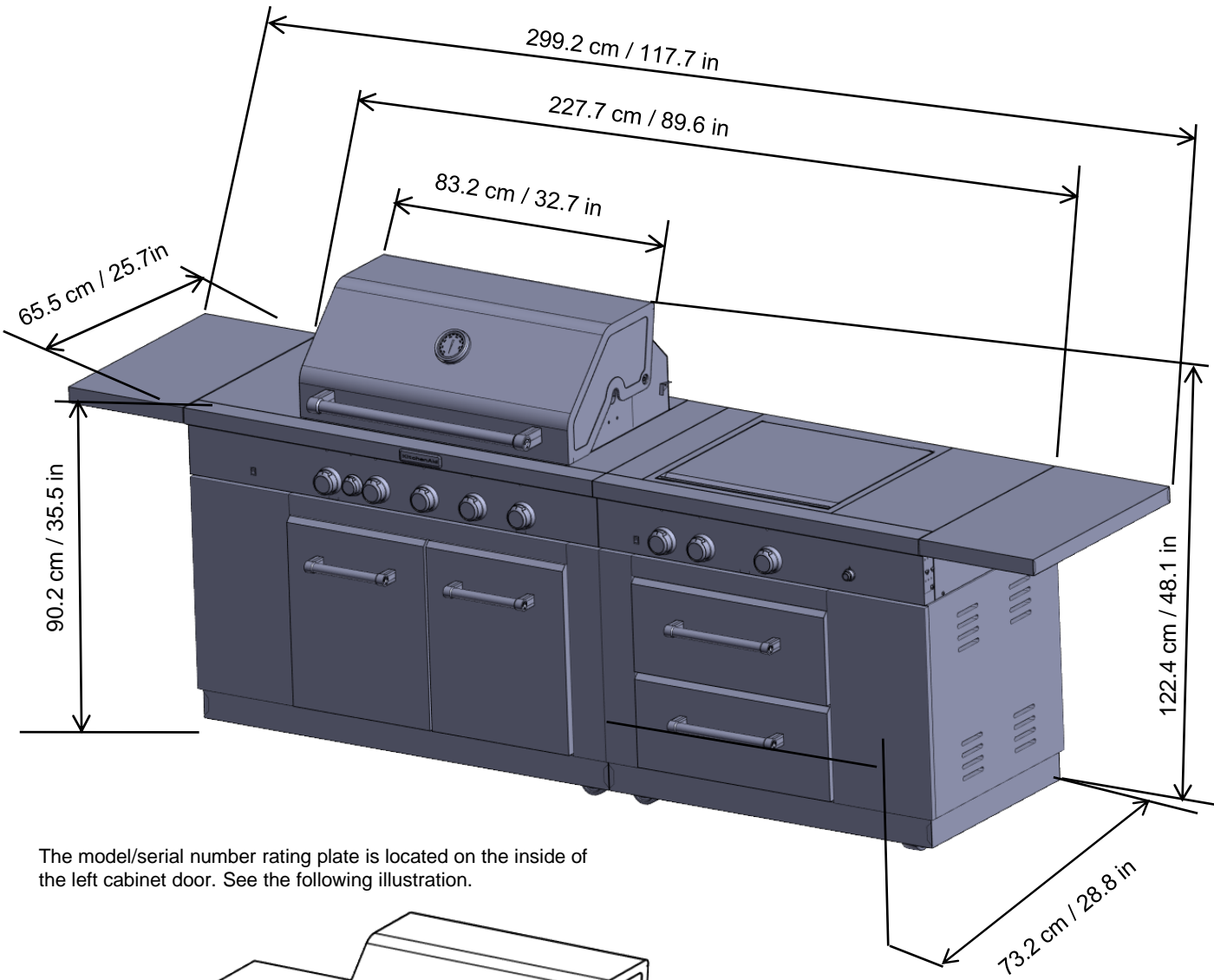
Do not use grill near combustible materials.

Do not store combustible materials near grill.

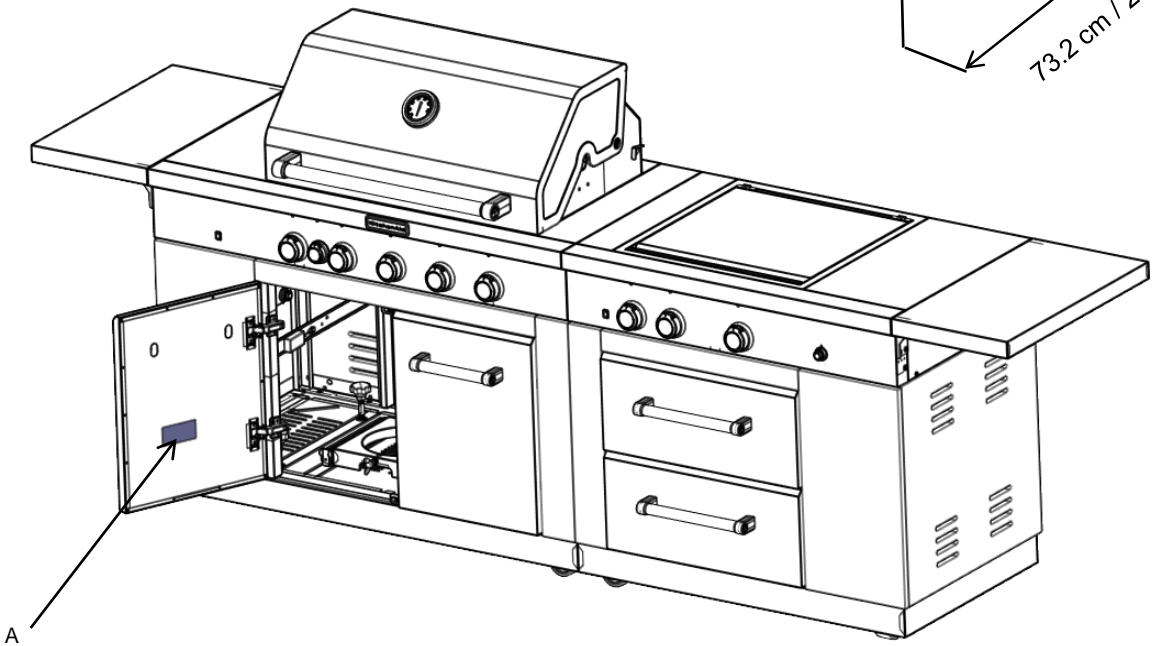
Doing so can result in death or fire.

INSTALLATION REQUIREMENTS

Production Dimensions



The model/serial number rating plate is located on the inside of the left cabinet door. See the following illustration.



A. Model/serial number plate

Gas Supply Requirements

⚠ WARNING



Explosion Hazard

Use a new CSA International approved "outdoor" gas supply line.

Install a shut-off valve.

Securely tighten all gas connections.

If connected to LP, have a qualified person make sure gas pressure does not exceed 14" (36 cm) water column.

Examples of a qualified person include:
licensed heating personnel,
authorized gas company personnel, and
authorized service personnel.

Failure to do so can result in death, explosion, or fire.

Observe all governing codes and ordinances.

IMPORTANT: This installation must conform with all local codes and ordinances. In the absence of local codes, installation must conform with either the National Fuel Gas Code, ANSI Z223.1/NFPA54, Natural Gas and Propane Installation Code, CSA B149.1, Propane Storage And Handling Code, B149.2, or the Standard for Recreational Vehicles, ANSI A119.2/NFPA 1192 and CSA Z240 RV Series Recreational Vehicle Code as applicable.

IMPORTANT: Grill must be connected to a regulated gas supply. Refer to the model/serial rating plate for information on the type of gas that can be used. If this information does not agree with the type of gas available, check with your local gas supplier.

Gas Conversion:

No attempt shall be made to convert the grill from the gas specified on the model/serial rating plate for use with a different gas type without consulting the serving gas supplier. The conversion kit supplied with grill must be used. See "Gas Conversions" section for instructions.

Gas Pressure Regulator

The gas pressure regulator supplied with this grill must be used. The inlet (supply) pressure to the regulator should be as follows for proper operation:

LP Gas:

Operating pressure: 11" WCP

Inlet (supply) pressure: 11" to 14" WCP

Natural Gas:

Operating pressure: 4" WCP

Inlet (supply) pressure: 7" to 14" WCP maximum.

Contact local gas supplier if you are not sure about the inlet (supply) pressure.

Burner Requirements for High Altitude

Input ratings shown on the model/serial rating plate are for elevations up to 609.6 m / 2,000 ft. For elevations above 609.6 m / 2,000 ft, ratings are reduced at a rate of 4% for each 304.8 m / 1,000 ft above sea level. Orifice conversion is required. See "Assistance" section to order.

Gas Supply Line Pressure Testing

Testing above 3.5 kPa / 1/2 psi. or 14" WCP (gauge):

The grill and its individual shutoff valve must be disconnected from the gas supply piping system during any pressure testing of that system at test pressures greater than 3.5 kPa / 1/2 psi.

Testing below 3.5 kPa / 1/2 psi. or 14" WCP (gauge) or lower:

The grill must be isolated from the gas supply piping system by closing its individual manual shutoff valve during any pressure testing of the gas supply piping system at test pressures equal to or less than 3.5 kPa / 1/2 psi.

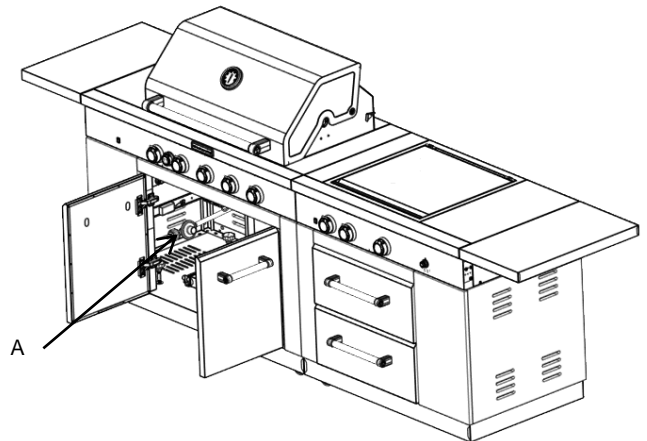
Gas Connection Requirements

20 lb LP Gas Fuel Tank

This grill is equipped for use with a 20 lb LP gas fuel tank (fuel tank not supplied). A gas pressure regulator/hose assembly is supplied.

Any brand of 20 lb LP gas fuel tank is acceptable for use with the grill, provided that it is compatible with the grill's retention means (tank tray included).

It is also design-certified by CSA International for local LP gas supply or for Natural gas with appropriate conversion.

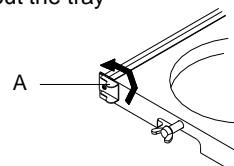


A. Gas pressure regulator/hose assembly

The 20 lb LP gas fuel tank must be mounted and secured.

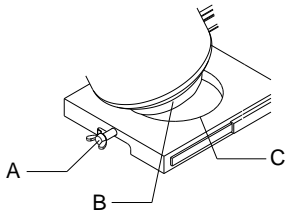
Door Style Tank Tray

1. Open cabinet door.
2. Slide the tank tray locking bracket counterclockwise 90° and pull out the tray



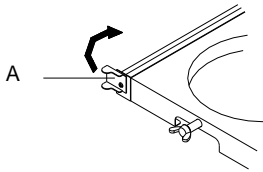
A. Tank tray locking bracket

3. Place the 20 lb LP gas fuel tank bottom collar into the mounting hole in the tank tray.
4. Tighten the locking screw against the bottom collar of the 20 lb LP gas fuel tank to secure.



A. Locking screw
 B. Bottom collar
 C. Mounting hole

5. Slide the drawer with the 20lb LP gas fuel tank back into the cabinet. Turn the tank tray locking bracket clockwise 90° to tighten.

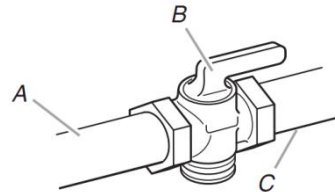


A. Tank tray locking bracket

Natural Gas Conversion

Conversion must be made by a qualified gas technician. The qualified Natural gas technician shall provide the Natural gas supply to the selected grill location in accordance with the National Fuel Gas Code ANSI Z223.1/NFPA 54 - latest edition, and local codes. For conversion to Natural gas, the Natural Gas Conversion Kit supplied with the grill (on some models) or the Natural Gas Conversion Kit Part Number 710-0003 must be used. See "Assistance" section for information on ordering.

IMPORTANT: The gas installation must conform with local codes, or in the absence of local codes, with the National Fuel Gas Code, ANSI Z223.1/NFPA 54 - latest edition. Follow instructions for converting to Natural gas in the "Gas Conversions" section of this manual or the instructions supplied with Natural Gas Conversion Kit Part Number 710-0003. The gas supply line shall be equipped with an approved shutoff valve. This valve should be located in the same area as the grill and should be in a location that allows ease of opening and closing. Do not block access to the shutoff valve. The valve is for turning on or shutting off gas to the grill.



A. Gas supply line
 B. Shutoff valve "open" position
 C. To grill

Make Gas Connection

NOTE: If grill is to be converted to Natural gas, follow instructions in the “Gas Conversions” section.

20 lb LP Gas Fuel Tank

⚠ WARNING



Explosion Hazard

Securely tighten all gas connections.

If connected to LP, have a qualified person make sure gas pressure does not exceed 14” (36 cm) water column.

Examples of a qualified person include:
licensed heating personnel,
authorized gas company personnel, and
authorized service personnel.

Failure to do so can result in death, explosion, or fire.

LP Gas:

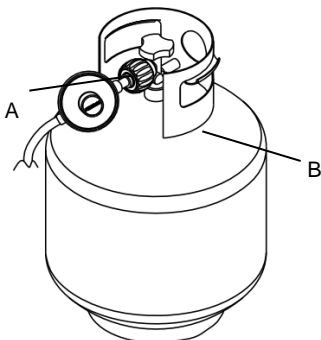
IMPORTANT: A 20 lb LP gas fuel tank must be purchased separately.

IMPORTANT: The gas pressure regulator/hose assembly supplied with the grill must be used. Replacement gas pressure regulator/hose assembly specific to your model is available from your outdoor grill dealer.

To Connect the 20 lb LP Gas Fuel Tank:

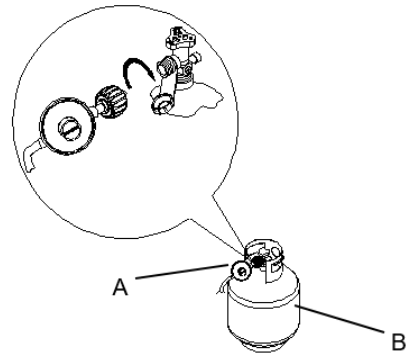
1. Check that the 20 lb LP gas fuel tank is in the “OFF” position. If not, turn the valve clockwise until it stops.
2. Check that the 20 lb LP gas fuel tank valve has the proper type-1 external male thread connections per ANSI Z21.81.
3. Check that the burner control knobs are in the “OFF” position.
4. Remove any debris and inspect the valve connections, port, and gas pressure regulator/hose assembly for damage.

NOTE: Always keep the LP cylinder at 90° (upright) orientation to provide vapor withdrawal.



A. Gas pressure regulator/hose assembly
B. 20 lb LP gas fuel tank

5. Using your hand, turn the gas pressure regulator/hose assembly clockwise to connect to the 20 lb LP gas fuel tank as shown. Hand tighten only. Use of a wrench could damage the quick coupling nut.



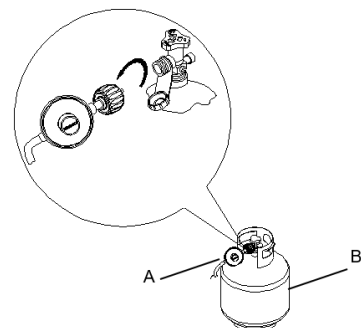
A. Gas pressure regulator/hose assembly
B. 20 lb LP gas fuel tank

Make sure that the cylinder valve connection device properly mates with the connection device attached to the inlet of the pressure regulator.

6. Open the tank valve fully by turning the valve counterclockwise. Wait a few minutes for gas to move through the gas line.
7. Before lighting the grill, test all connections by brushing on an approved noncorrosive leak-detection solution. Bubbles will show a leak.
8. If a leak is found, turn the tank valve off and do not use the grill. Contact a qualified gas technician to make repairs.
9. Go to “Check and Adjust the Burners” section.

To Disconnect the 20 lb LP Gas Fuel Tank:

1. Check that the burner control knobs are in the “OFF” position and the grill is cool.
2. Check that the 20 lb LP gas fuel tank is in the “OFF” position. If not, turn the valve clockwise until it stops.
3. Using your hand, turn the gas pressure regulator/hose assembly counterclockwise to disconnect to the 20 lb LP gas fuel tank as shown.
4. Hand loosen only. Use of a wrench could damage the quick coupling nut.
5. Place dust cap on cylinder valve outlet whenever the cylinder is not in use. Only install the type of dust cap on the valve outlet that is provided with the cylinder valve. Other types of caps or plugs may result in leakage of propane.



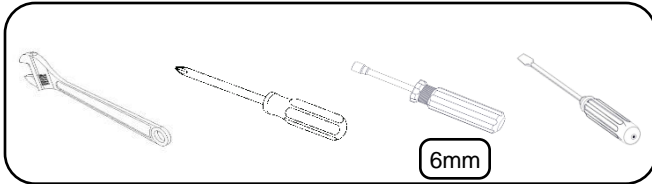
A. Gas pressure regulator/hose assembly
B. 20 lb LP gas fuel tank

GAS CONVERSIONS

Tools and Parts for Gas Conversion

Gather the required tools and parts before starting installation. Read and follow the instructions provided with any tools listed here.

Tools needed



Parts supplied

- Natural gas orifices

Parts needed

- Natural gas conversion kit Part Number 710-0003. See "Assistance" section to order. The conversion kit includes:
 - Natural gas regulator 4" W.C. (marked "Natural Gas Regulator")
 - 3.0 m / 10 ft Natural gas hose with quick connector
 - 150 mm / 5.9 in Natural gas regulator hose
 - 6 mm nut driver
 - 6 mm wrench
 - Hex key

IMPORTANT: Gas conversions must be done by a qualified installer. Before proceeding with conversion, shut off the gas supply to the grill.

⚠ WARNING



Explosion Hazard

Use a new CSA International approved "outdoor" gas supply line.

Install a shut-off valve.

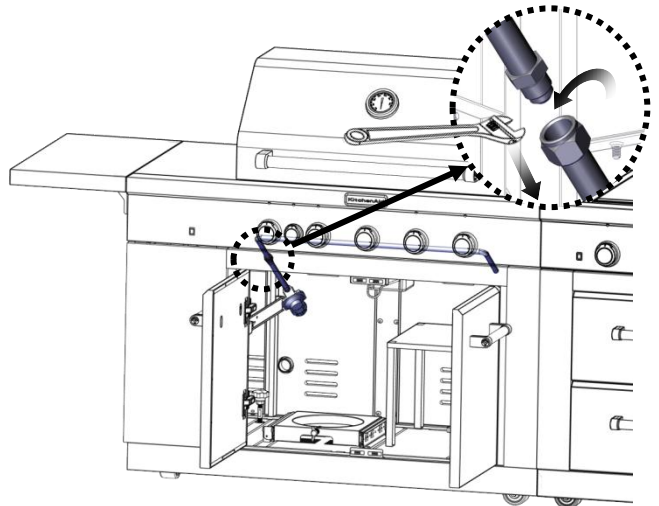
Securely tighten all gas connections.

Failure to do so can result in death, explosion, or fire.

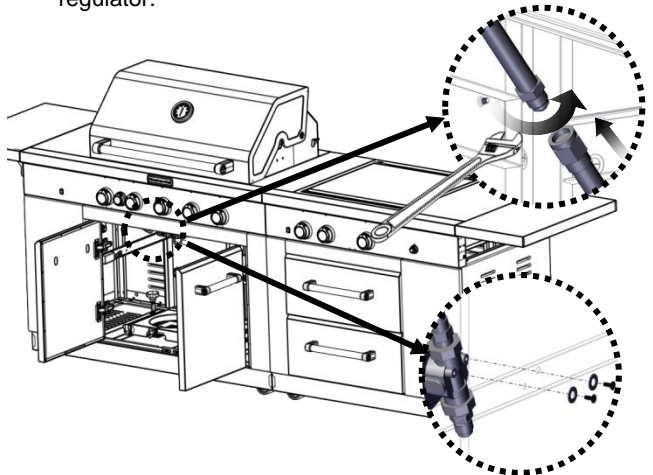
Conversion from LP Gas to Natural Gas

Installation of the regulator

1. Turn off the main gas supply valve.
2. Disconnect 20 lb LP gas fuel tank (if present).
3. Turn off all burner control valves.
4. Remove the 20 lb LP gas fuel tank (if present) from the grill cart.
5. Use an adjustable wrench to remove the LP regulator from the manifold.

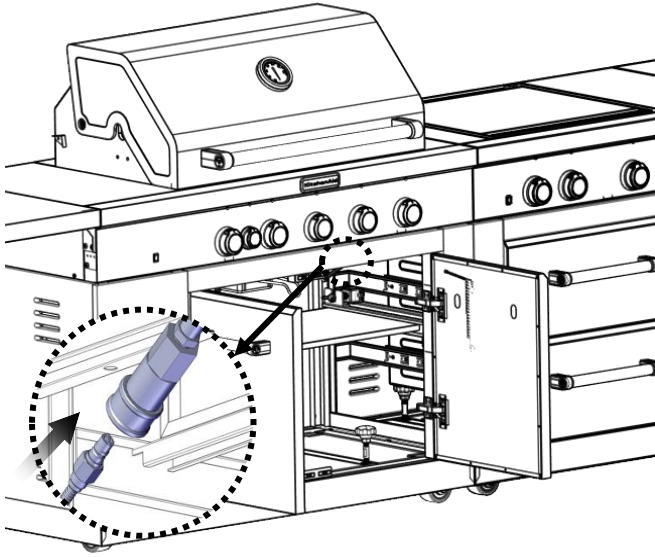


6. Use an adjustable wrench to install the Natural gas regulator hose to the manifold and secure. Attach the Natural gas regulator to the side panel inside the grill cart with the two screws that are preassembled on the regulator.



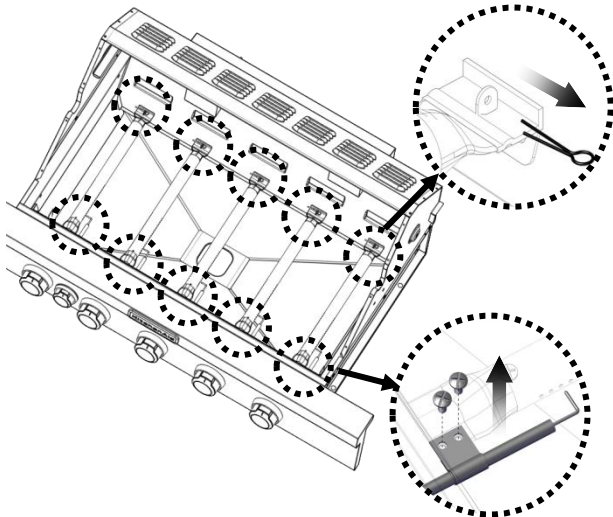
Make Gas Connection

1. A combination of pipe fittings must be used to connect the grill to the existing gas line.
 - The 3.0 m / 10 ft PVC flexible gas supply hose design certified by CSA must be used.
 - Pipe-joint compounds suitable for use with Natural gas must be used. Do not use Teflon®+ tape.
 - There must be a certified manual shut-off valve in the gas supply line near the grill for easy access.
2. Connect the brass connector on one end of the 3.0 m / 10 ft PVC flexible gas supply hose to the Natural gas pressure regulator.
3. Connect the quick connector on the other end of the 3.0 m / 10 ft PVC flexible gas supply hose to the rigid Natural gas supply pipe.



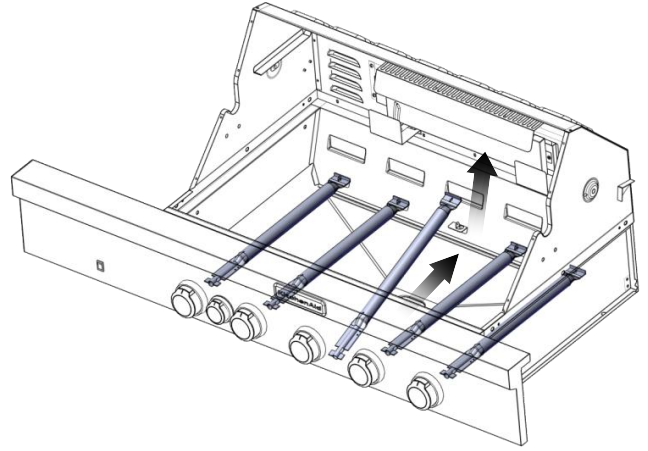
Change Grill Main Burner Valve Orifices

1. Remove the grates and flame tamers.
2. Remove the 2 screws and cotter clip that hold the burner in place. Set the screw and clip aside.

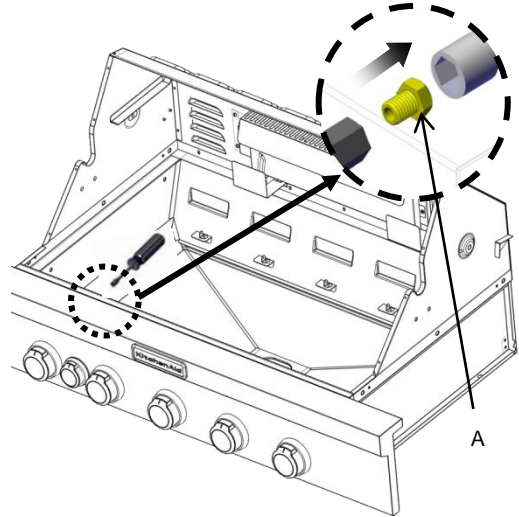


† ©TEFLON is a registered trademark of E.I. Du Pont De Nemours and Company.

3. Remove the burner from the grill by lifting the burner out.



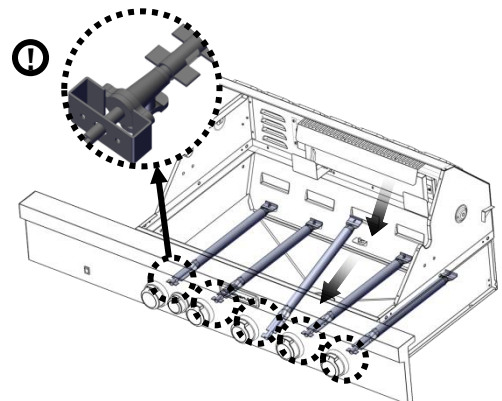
4. Use a 6 mm socket and wrench or 6 mm nut driver to remove the LP brass orifice from the end of gas valve. The main burner NG orifice is located behind the LP orifice, so no additional orifice needs to be installed.



A. Main burner orifice

IMPORTANT: Check that the LP orifice is properly removed inside of the burner opening.

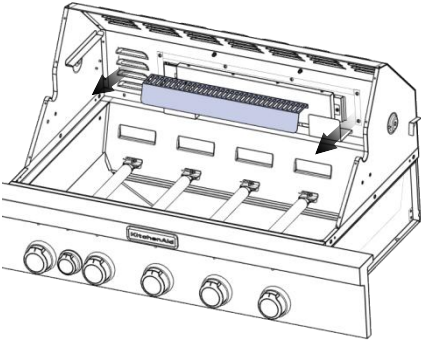
5. Reinsert the burner and reattach using the cotter clip and screws previously removed. Repeat the procedure for each main burner.



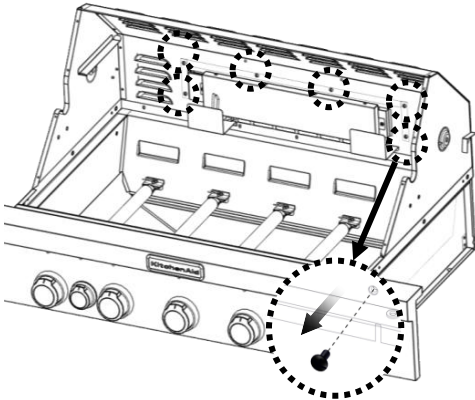
6. Position the igniters so they are 3.2 mm / 1/8 in away from each burner.

Change The Rotisserie Burner Orifice

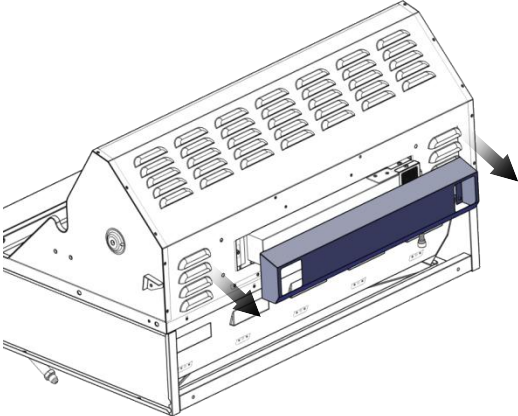
1. Use a screwdriver to remove the two screws from the rotisserie burner heat shield. Remove the heat shield.



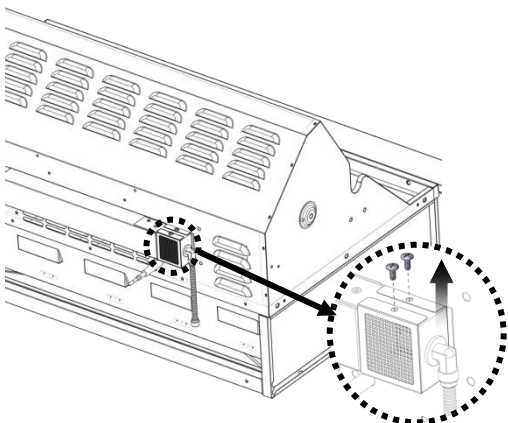
2. Remove the six screws on the rotisserie burner rear cover.



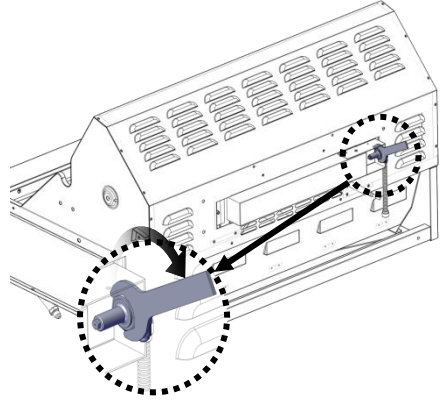
3. Remove the rotisserie burner rear cover.



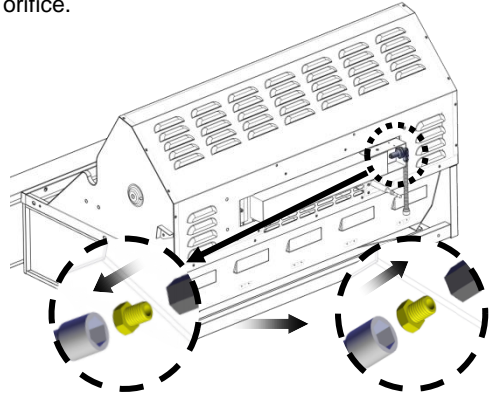
4. Remove the two screws on the igniter bracket and remove the bracket.



5. Use an adjustable wrench to remove the brass elbow

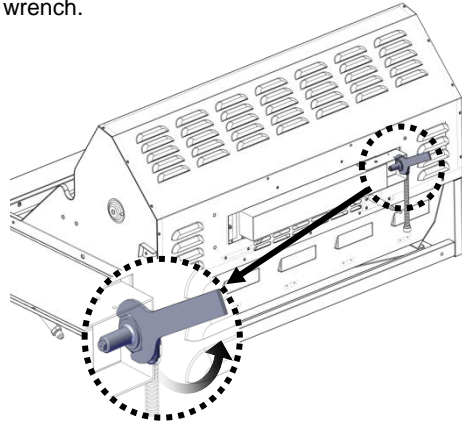


6. Use a 6 mm socket wrench or 6 mm nut driver to remove the orifice. Replace with the corresponding natural gas orifice.

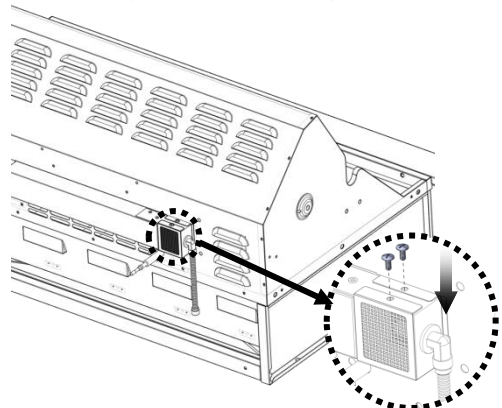


IMPORTANT: Check that the NG orifice is properly installed inside the valve.

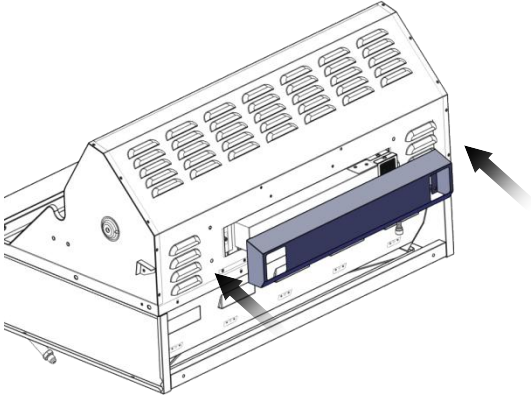
7. Reinstall the rotisserie burner brass elbow by using a wrench.



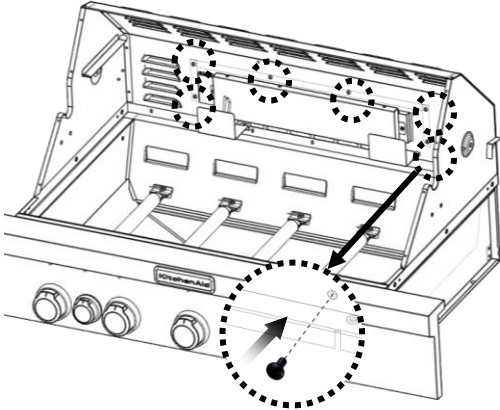
8. Reinstall the igniter bracket and tighten the screws.



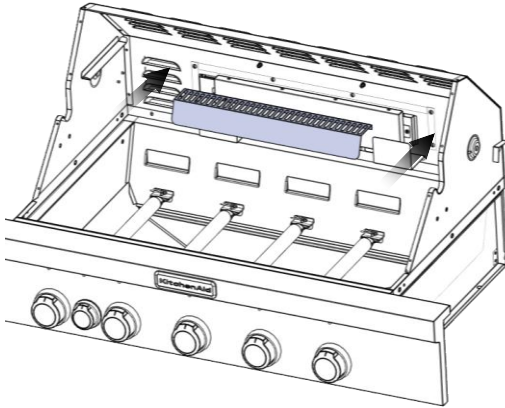
9. Reinstall the rotisserie burner rear cover.



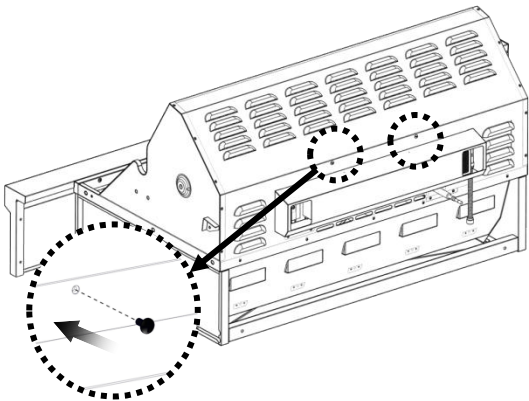
10. Reinstall the six screws onto the rotisserie burner rear cover.



11. Reinstall the rotisserie burner heat shield.

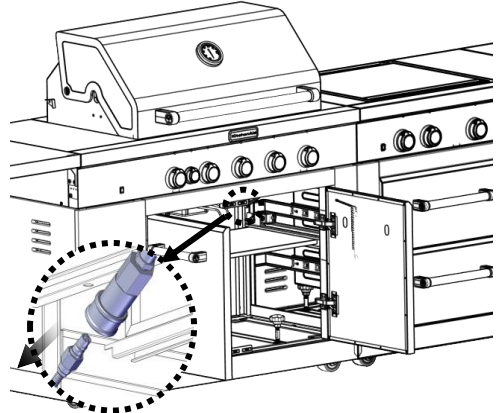


12. Tighten the two screws.

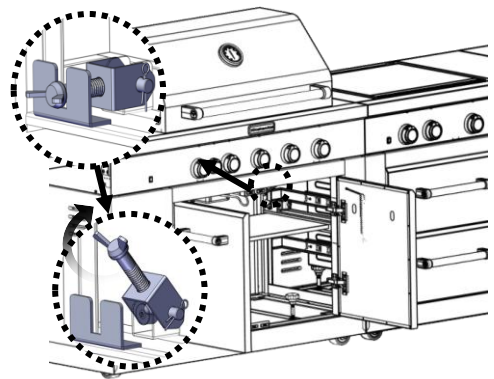


Change The Sear Burner Orifice

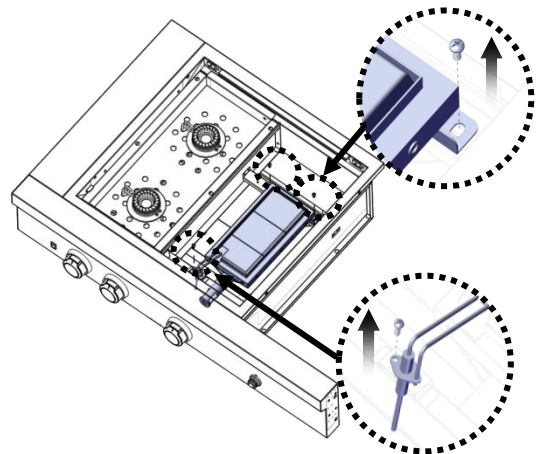
1. Disconnect the quick connector.



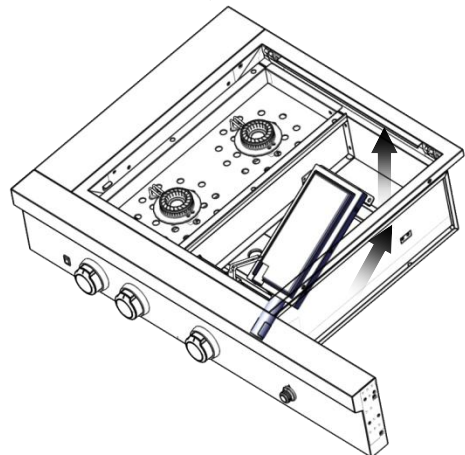
2. Set the lock bar in unlock position.



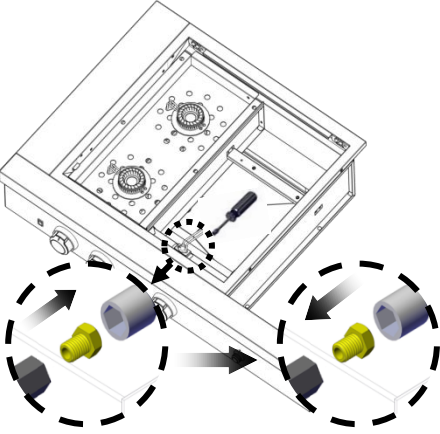
3. Use a screwdriver to remove screw from the igniter pin and two screws on the rear of the searing burner.



4. Lift the burner starting from the back, as shown.

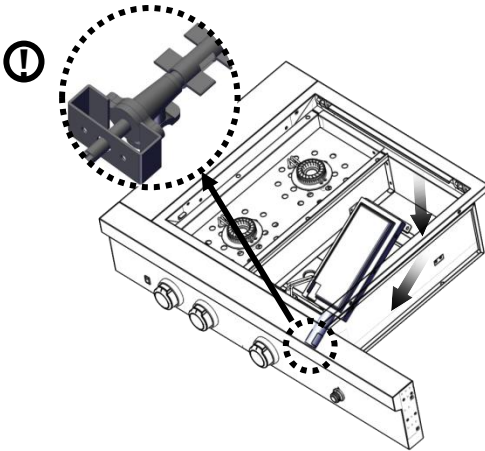


- Use a 6 mm socket wrench or 6 mm nut driver to remove the orifice and replace with the natural gas orifice.

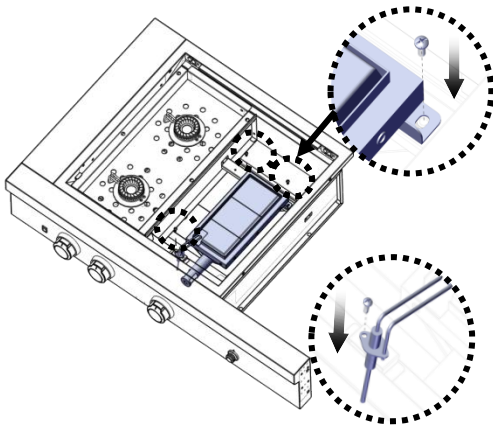


IMPORTANT: Check that the NG orifice is properly installed inside of the valve.

- Reinstall the sear burner. Make sure the sear burner tube is inserted into the gas valve, as shown.

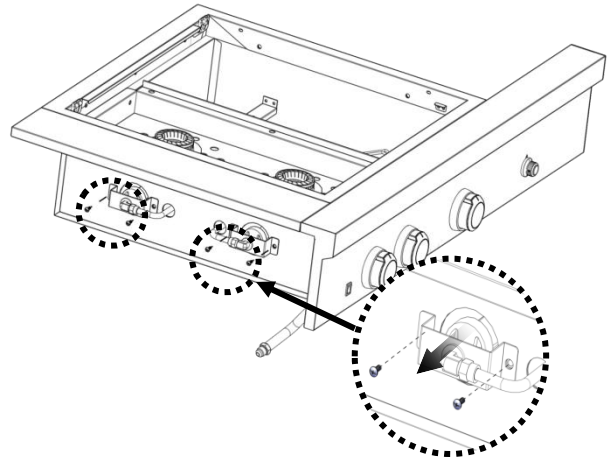


- Reinstall the two screws to the rear of the searing burner. Reinstall the igniter pin.

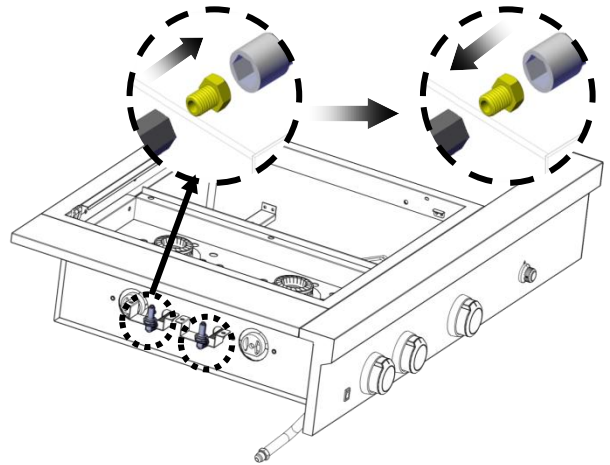


Change the Side Burner Orifice

- Remove the two screws from the bracket and remove the bracket.

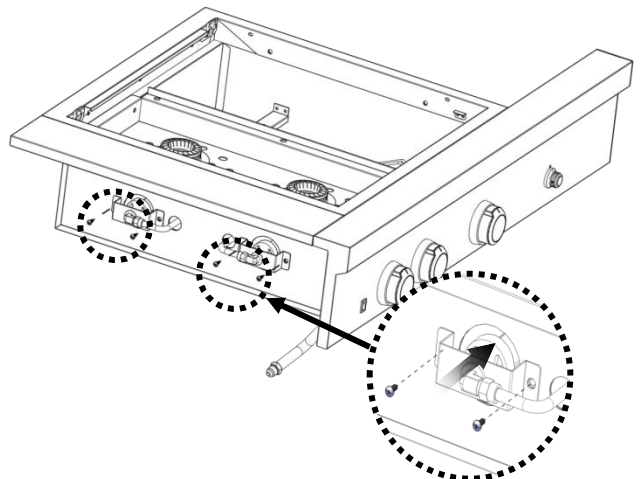


- Use a 6 mm socket wrench or 6 mm nut driver to remove the orifice and replace with the natural gas orifice.

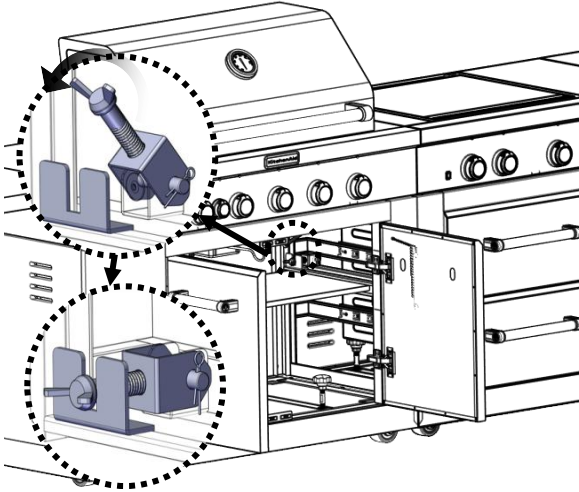


IMPORTANT: Check that the NG orifice is properly installed inside of the valve.

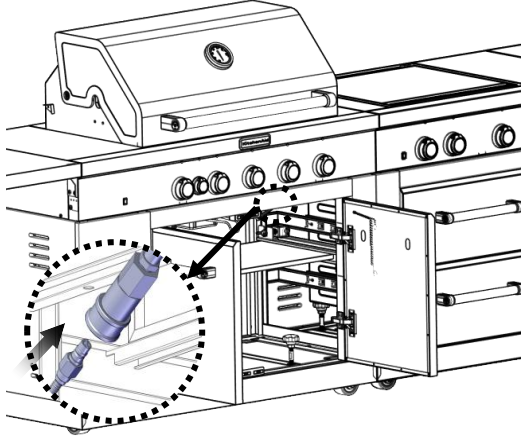
- Reinstall the two screws and the bracket.



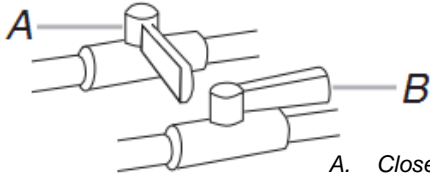
- Set the lock bar in the lock position.



- Reconnect the quick connector.



- Open the manual shutoff valve in the gas supply. The valve is open when the handle is parallel to the gas pipe.



A. Closed valve
B. Open valve

- Test all connections using an approved noncorrosive leak-detection solution. Bubbles will show a leak. Correct any leak found

Record Conversion

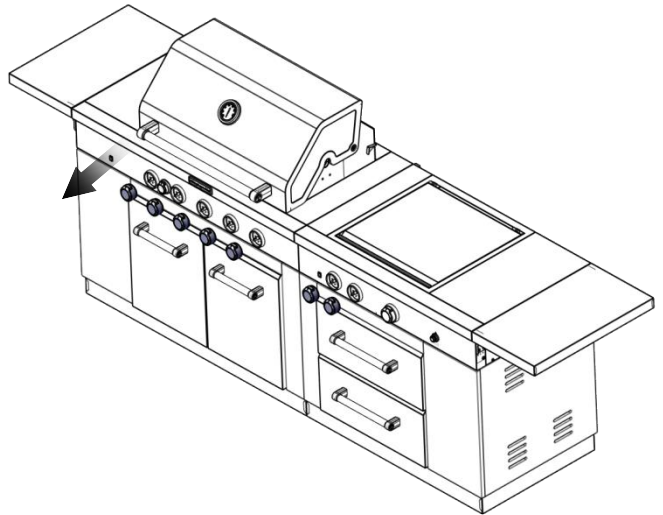
The LP appliance nameplate is located inside the grill cabinet on the left-hand side. Once converted, place the NG appliance nameplate over the current LP appliance nameplate.

In the last page of the Use and Care Guide, write "Converted to Natural Gas". Also record the conversion date and the technician/company that performed the conversion.

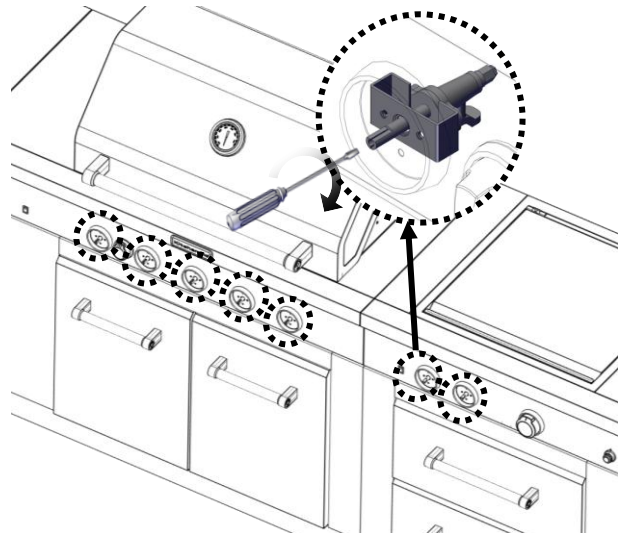
Adjust High Flame Setting Screw

When converting from LP to Natural gas, you will need to adjust the high flame setting screw for ideal burner flame height.

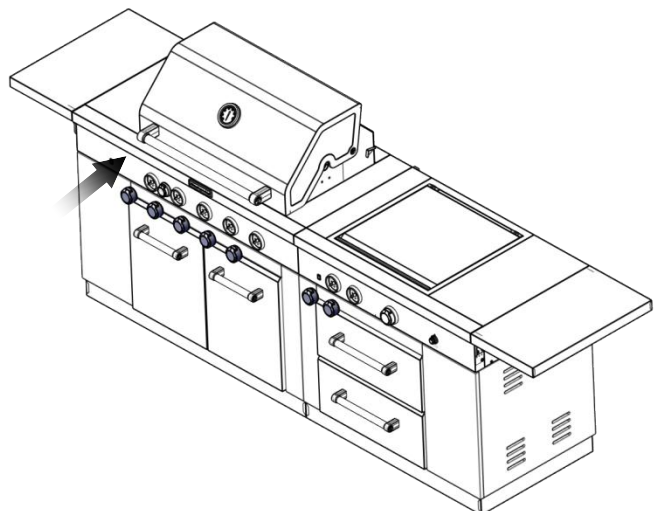
- Remove each control knob for the main burners and sear burner



- Use a flat-blade screwdriver to turn the high flame setscrew counterclockwise approximate 90°.



- Check that burner operates at the new high flame setting. It may be necessary to adjust the screw setting slightly more to get the ideal burner flame height.
- Place the burner control knobs back to their original positions.



Check and Adjust the Burners

The burners are tested and factory-set for most efficient operation. However, variations in gas supply and other conditions may make minor adjustments to air shutter or low flame setting necessary. It is recommended that a qualified person make burner adjustments. Checking and adjusting the grill burner flames requires removing the grates and flame tamers.

Burner Flame Characteristics

The flames of the grill burners and side burners (on some models) should be blue and stable with no excessive noise or lifting (LP gas flames will have a slightly yellow tip). A yellow flame indicates not enough air. If flame is noisy or lifts away from the burner, there is too much air. Some yellow tips on flames when the burner is set to HIGH setting are acceptable as long as no carbon or soot deposits appear. The flames should be approximately 2.5 cm / 1 in high.

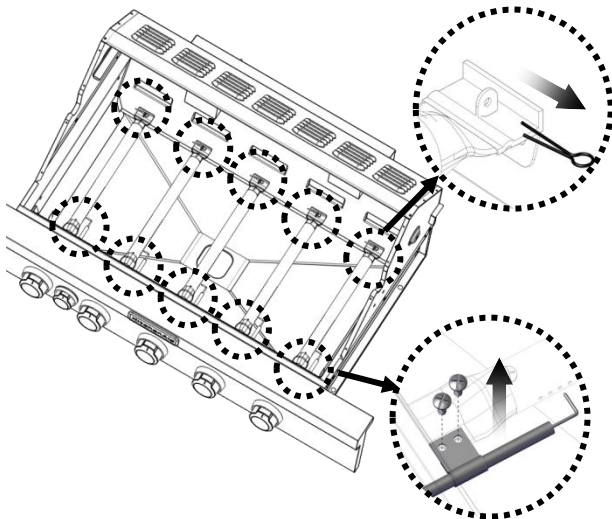


Check that burners are not blocked by dirt, debris, insect nests, etc., and clean as necessary. If they are clean, adjust air shutters as needed.

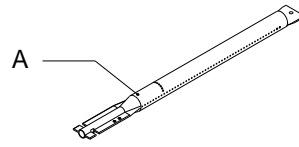
IMPORTANT: Before adjusting air shutters, let burners cold down completely.

To Adjust:

1. Light grill using information in the "Outdoor Grill Use" section.
2. Observe flame to determine which burners need adjustment and how the flame is acting.
3. Turn off the valve and wait until grill and burners cool completely.
4. Remove grill grates and flame tamers.
5. Remove the 2 screws and cotter pin that hold the burner in place. Remove gas burner from the grill.



6. If flame is yellow (not enough air), turn air shutter adjustment screw counterclockwise. If flame is noisy or lifts away from burner (too much air), turn air shutter adjustment screw clockwise.



A. Air shutter adjustment screw

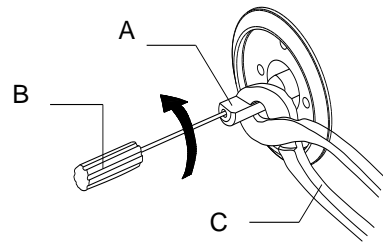
Adjustment should be made clockwise or counter clockwise from 3.2 mm 1/8 in to 6.4 mm 1/4 in.

7. Replace gas burner, sear plates and grates.
8. Light grill using information in the "Outdoor Grill Use" section. See "Burner Flame Characteristics".

Low Flame Adjustment

If flame goes out on the "L" setting, the low flame setting must be adjusted.

1. Turn off the valve and wait until grill and burners are cool.
2. Remove grill grates and flame tamers.
3. Light grill using information in the "Outdoor Grill Use" section.
4. Turn burner to its lowest setting.
5. Remove each control knob for the main burners and side burner by loosening the setscrew with the hex key.
6. Hold valve stem with pliers and insert a small flat-blade screwdriver into the shaft.
7. Watch the flame and slowly turn the screwdriver counterclockwise.
8. Adjust flame to minimum stable flame.



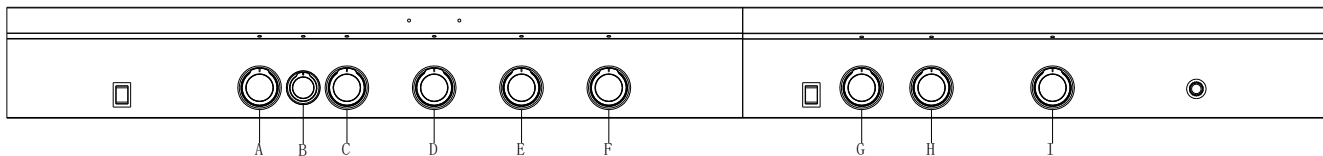
A. Valve stem
B. Small flat-blade screwdriver
C. Pliers

9. Replace the control knob and turn off the burner.
10. Repeat steps 3 through 9 for each burner if needed.
11. Replace the flame tamers and grates after the burners have been cooled.

OUTDOOR GRILL USE

This manual covers several different models. The grill you have purchased may have some or all of the features listed. The locations and appearances of the features shown here may not match those of your model.

Control Panel



- | | | |
|------------------------------------|--|---|
| A. Left main burner control knob | B. Rotisserie burner control knob | C. Left center main burner control knob |
| D. Center main burner control knob | E. Right center main burner control knob | F. Right main burner control knob |
| G. Front side burner control knob | H. Front side burner control knob | I. Sear burner control knob |

Using Your Outdoor Grill

⚠ WARNING



Explosion Hazard

- Do not store fuel tank in a garage or indoors.
- Do not store grill with fuel tank in a garage or indoors.
- Failure to follow these instructions can result in death, explosion, or fire.

⚠ WARNING



Fire Hazard

- Do not use grill near combustible materials.
- Do not store combustible materials near grill.
- Doing so can result in death or fire.

⚠ WARNING

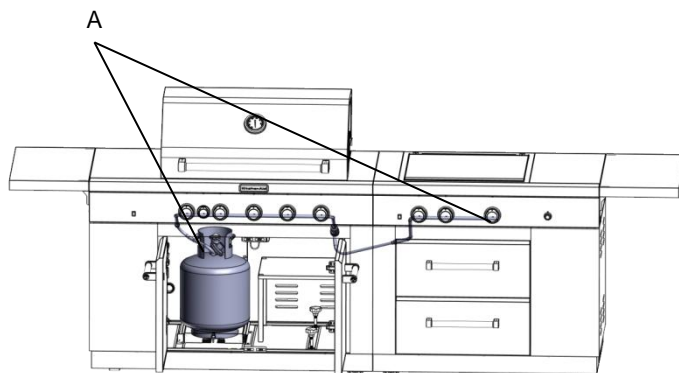
Food Poisoning Hazard

- Do not let food sit for more than one hour before or after cooking.
- Doing so can result in food poisoning or sickness.

Inspect the LP Gas Fuel Tank Supply Hose

Inspect the gas pressure regulator/hose assembly before each use.

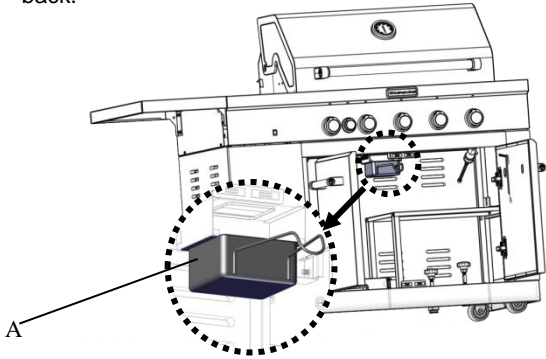
1. Open left -hand cabinet door.
2. Inspect the gas pressure regulator/hose assembly for cuts, abrasions, or excessive wear.
3. If necessary, replace the gas pressure regulator/hose assembly before using the grill. Contact the dealer and use only replacement hoses specified for use with the grill.



A. Gas pressure regulator/Hose assembly

Prepare the Grill for Lighting

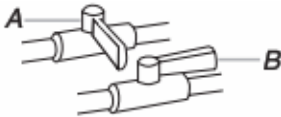
1. Open the hood completely. Do not light burners with the hood closed.
2. Make sure control knobs are turned to "O".
3. The grease box must be in place and push all the way to back.



A. Grease Box

Turn the Gas Supply On

1. For outdoor grills using a 20 lb LP gas fuel tank:
Slowly open the tank valve.
NOTE: If flow limiting device activates, your grill may not light. If your grill does light, the flames will be low and will not heat properly. Turn tank valve and all control knobs off and wait 30 seconds. After shutting off the tank, very slowly open tank valve and wait 5 seconds before lighting.
2. For outdoor grills using gas supply source other than a 20 lb LP gas fuel tank:
Open the manual shutoff valve in the gas supply line. The valve is open when the handle is parallel to the gas pipe.

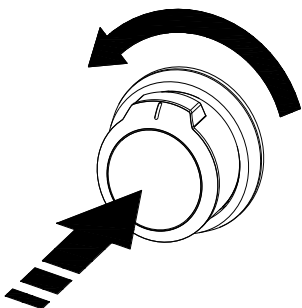


A. Closed valve
B. Open valve

Lighting the Grill Burners

IMPORTANT: If burner does not light immediately, turn the burner knob to "O" and wait 5 minutes before relighting.

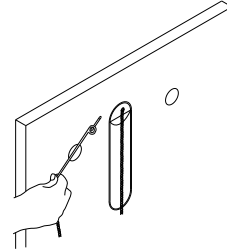
1. Open the hood completely. Do not light burners with the hood closed.
2. Do not lean over the grill.
3. Select the burner you want to light. Push in and turn the grill burner control knob to "🔥", while continuing to hold it in.



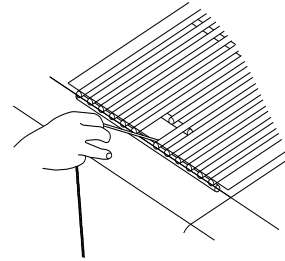
4. You will hear the "snapping" sound of the spark. When burner is lit, release the knob. Turn knob to desired setting.
5. Repeat for each of the other burners as needed.

Manually Lighting Grill Burners

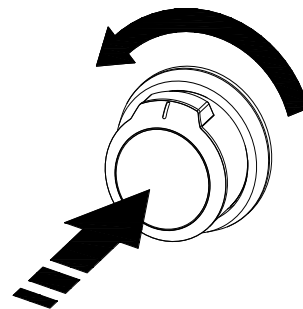
1. Open the hood completely. Do not light burners with hood closed.
2. Do not lean over the grill.
3. Remove the manual lighting extension (see following illustration) and attach a match to the split ring.



4. Strike the match to light it.
5. Guide the lit match under the grill grate.



6. Push in and turn the burner knob to "🔥" for the burner closest to the lit match. The burner will light immediately. When burner is lit, turn knob to desired setting.



7. Repeat steps 2 through 6 for each main burner.
8. Remove match and replace manual lighting extension on the right side panel.

IMPORTANT:

If burner does not light immediately, turn the burner knob to "O" and wait 5 minutes before relighting.

If any burners do not light after attempting to light them manually, contact the Customer Service Center. See the "Assistance" section.

Using Your Rotisserie Burner

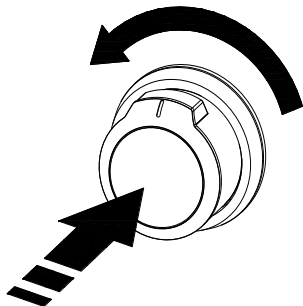
A Rotisserie kit can be purchased as an accessory for the grill. See "Accessories" in the "Assistance" section.

To avoid damage to the warming rack, remove from grill when using the rotisserie burner.

Do not use the main burners when the rotisserie burner is in use.

Lighting the Rotisserie Burner

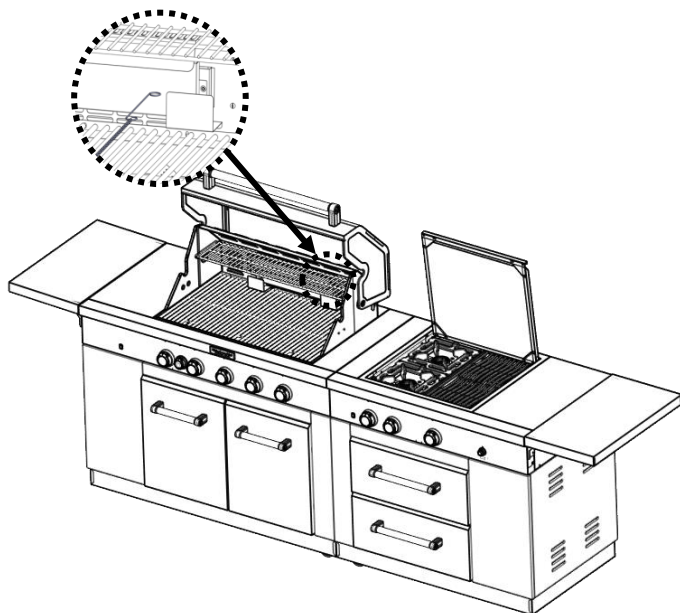
1. Open the main burner cover. Do not light burners with the cover on.
2. Do not lean over the grill.
3. Push in and turn the grill control knob to "●", while continuing to hold it in.



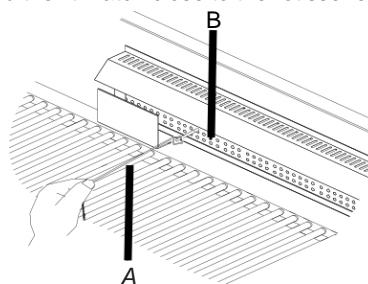
IMPORTANT: If burner does not light immediately, turn the burner knob to "O" and wait 5 minutes before relighting.

Manually Lighting The Rotisserie Burner

1. Open the hood completely. Do not light burners with the hood closed.
2. Do not lean over the grill.
3. Remove the manual lighting extension (see the following illustration) and attach a match to the split ring.

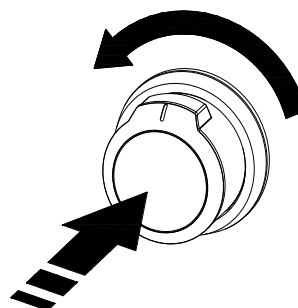


4. Strike the match to light it.
5. Hold the lit match close to the rotisserie burner.



A. Lighting extension
B. Rotisserie burner

6. Push in and turn the control knob to "●". For the burner closest to the lit match. The burner will light immediately. When burner is lit, turn knob to desired setting.



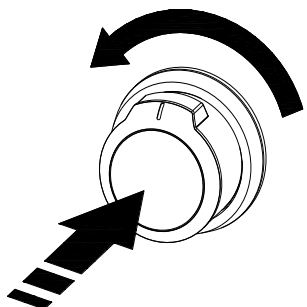
7. Remove the match and replace the manual lighting extension on the right side panel.

IMPORTANT: If the rotisserie burner does not light immediately, turn the rotisserie burner control knob to "O" and wait 5 minutes before relighting.

Using Your Sear Burner

Lighting the Sear Burner

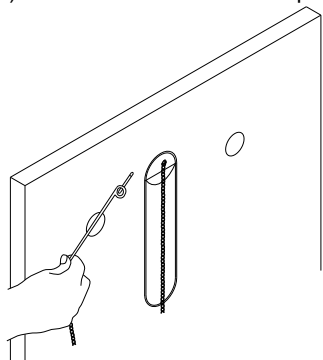
1. Open the sear burner cover. Do not light burners with the cover on.
2. Do not lean over the grill.
3. Push in and turn the grill control knob to “●”, while continuing to hold it in.



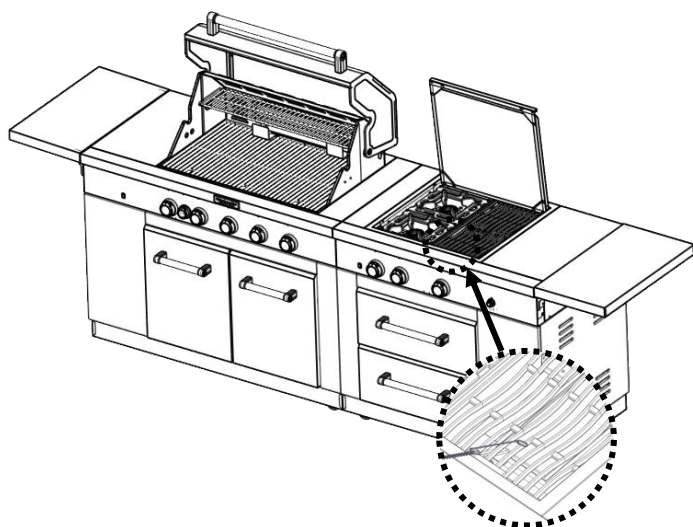
IMPORTANT: If burner does not light immediately, turn the burner knob to “○” and wait 5 minutes before relighting.

Manually Lighting the Sear Burner

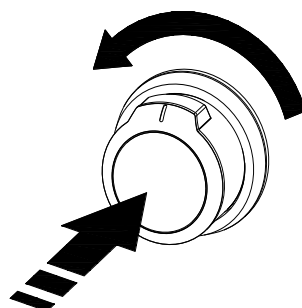
1. Open the hood completely. Do not light burners with the hood closed.
2. Do not lean over the grill.
3. Remove the manual lighting extension (see the following illustration) and attach a match to the split ring.



4. Strike the match to light it.
5. Hold the lit match close to the sear burner.



6. Push in and turn the control knob to “●”. For the burner closest to the lit match. The burner will light immediately. When burner is lit, turn knob to desired setting.



7. Repeat steps 3 through 6 for each burner.
8. Remove the match and replace the manual lighting extension on the right side panel.

IMPORTANT:

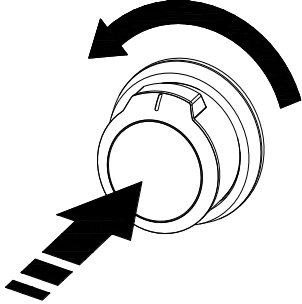
If burner does not light immediately, turn the burner knob to “○” and wait 5 minutes before relighting.

If any burners do not light after attempting to light them manually, contact the Customer Service Center. See the “Assistance” section.

Using Your Side Burner

Lighting the Side Burner

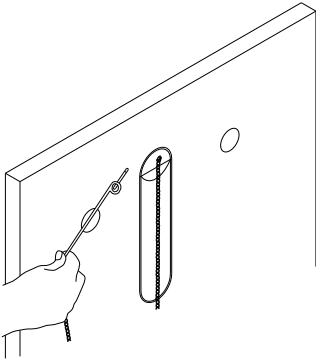
1. Open the side burner cover. Do not light burners with the cover on.
2. Do not lean over the grill.
3. Push in and turn the grill control knob to "🔥", while continuing to hold it in.



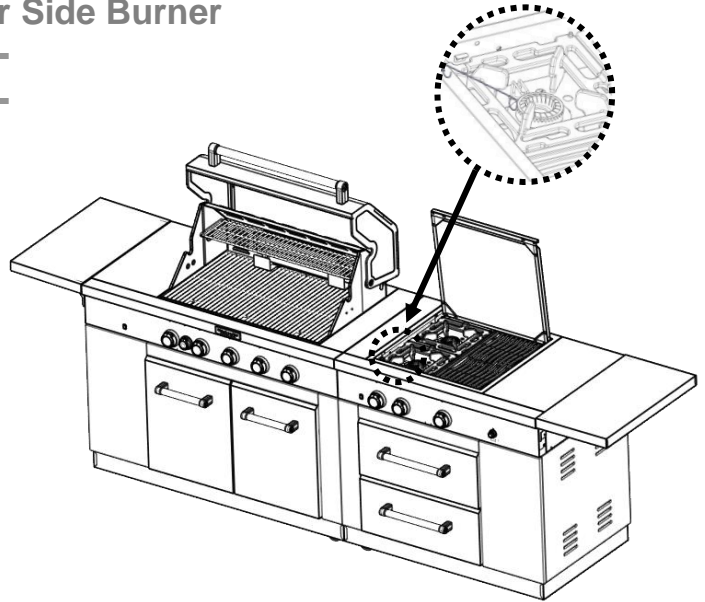
IMPORTANT: If burner does not light immediately, turn the burner knob to "O" and wait 5 minutes before relighting.

Manually Lighting the Side Burner

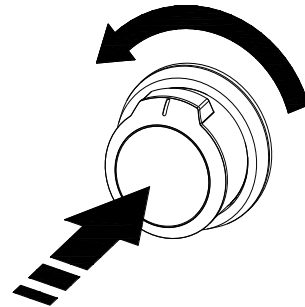
1. Open the hood completely. Do not light burners with the hood closed.
2. Do not lean over the grill.
3. Remove the manual lighting extension (see the following illustration) and attach a match to the split ring.



4. Strike the match to light it.
5. Hold the lit match close to the side burner.



6. Push in and turn the control knob to "🔥". For the burner closest to the lit match. The burner will light immediately. When burner is lit, turn knob to desired setting.



7. Repeat steps 3 through 6 for each burner.
8. Remove the match and replace the manual lighting extension on the right side panel.

IMPORTANT:

If burner does not light immediately, turn the burner knob to "O" and wait 5 minutes before relighting.

If any burners do not light after attempting to light them manually, contact the Customer Service Center. See the "Assistance" section.

TIPS FOR OUTDOOR GRILLING

⚠ WARNING

Food Poisoning Hazard

Do not let food sit for more than one hour before or after cooking.

Doing so can result in food poisoning or sickness.

Before Grilling

- Thaw food items before grilling.
- Preheat grill on high (use all grill burners) 10 minutes. The hood must be closed during preheating. Preheating provides the high heat needed to brown and seal the juices.
- Shorten the preheat time when grilling high-fat cuts of meat or poultry, such as chicken thighs. This will help reduce flare-ups.
- Lightly oil the grill grates or the food when cooking low-fat cuts of meat, fish or poultry, such as lean hamburger patties, shrimp or skinless chicken breasts.
- Using too much oil can cause gray ash to deposit on food. Trim excess fat from meats prior to cooking to reduce flare-ups.
- Make vertical cuts at 5 cm / 2 in intervals around the fat edge of meat to avoid curling.
- Add seasoning or salt only after the cooking is finished.

During Grilling

- Turn foods only once. Juices are lost when meat is turned several times.
- Turn meat just when juices begin to appear on the surface.
- Avoid puncturing or cutting the meats to test doneness. This allows juices to escape.
- It may be necessary to lower the heat setting for foods that cook a long time or are marinated or basted in a sugary sauce.
- If using a high flame, add barbecue sauce only during the last 10 minutes of cooking to avoid burning the sauce.
- The degree of doneness is influenced by the type of meat, cut of meat (size, shape and thickness), heat setting selected, and length of time on the grill.
- Cooking time will be longer with an open grill cover.

Cooking Methods

Direct Heat

Cooking by direct heat means the food is placed on grill grates directly above lighted burners. Hood position can be up or down. If hood is in the up position, total cooking times may be longer.

Direct heat sears the food. Searing is a process that seals natural juices in food by cooking with intense heat for a short period of time. While juices stay inside, the outside is browned with a flavorful grilled coating.

Indirect Heat

For best results, do not select the indirect heat cooking method when it is windy.

Cooking by indirect heat means the food is placed on the grill grate above an unheated burner, allowing heat from lighted burner(s) on either side to cook the food.

If possible, turn on 2 burners. Cook with the hood down. This will shorten the cooking time.

Rotisserie Cooking Tips

⚠ WARNING

Food Poisoning Hazard

Do not let food sit for more than one hour before or after cooking.

Doing so can result in food poisoning or sickness.

Rotisserie cooking rotates food in front of the rotisserie burner, creating an intense heat for searing the outside and sealing in natural juices.

The rotisserie burner reaches cooking temperatures in about 1 min. It is not necessary to preheat when using the rotisserie.

- Select tender meat and poultry.
- Allow at least 2.5 cm / 1 in space between rotisserie burner and the food.
- To make cleanup easier, place a pan under the food to catch drippings.
- Add barbecue sauce or glaze only during the last 10 minutes of cooking to keep sauce from burning.

Trussing Poultry for the Rotisserie

1. Load the spit rod by sliding one of the forks on the rod, with the prongs facing inward. Tighten the screw to keep it from slipping.
2. Push the rod through the center of the bird.
3. Cut 61 cm / 24 in of butcher's string and center it under the bird, breast side up.
4. Wrap each end of the string around the wings; catch each wing tip. Bring the string tightly together at the top of the breast and knot. It is not necessary to cut off the extra string.
5. Cut another 50.8 cm / 20 in of string and lay it under the back of the bird. Wrap it around the tail then around the spit rod, cinching tightly.
6. Cross the legs on top of spit rod; tie string around the crossed legs.
7. Connect the twine holding the legs, to the string holding the wings, and knot. Cut off any bits of hanging string.
8. Slide on the second fork pushing the tines into the drumsticks.
9. Center the food and forks on the rod and tighten the thumb- screws. The bird should be firmly in place on the rotisserie spit rod.

Rotisserie Chart

Use a portable meat thermometer to check internal doneness of the food.

Turn off rotisserie burner when meat thermometer reads 3° C / 5° F lower than desired internal temperature. Continue rotating, hood closed, for 10 minutes before carving.

Timing is affected by weather conditions such as wind and outside temperature.

Food	Weight	Internal Doneness or Temperature (° C/° F)	Approximate Grilling Time (min/lb)
Beef			
Roasts	1.5-	Medium-rare	15-20
Rib Eye	2.2 kg	(83° C / 145° F)	
Sirloin Tip	/ 4-6 lbs	Medium	20-25
Rib, boneless		(71° C / 160° F)	
Poultry			
Chicken	1.1-	Breast	20-25
	2.2 kg	(77° C / 170° F)	
Turkey, whole	/ 3-6 lbs	Thigh	20-25
		(82° C / 160° F)	
Turkey, whole	2.8-	Breast	11-20
	3.7 kg	(77° C / 170° F)	
	/ 7-10	Thigh	11-20
	lbs	(82° C / 160° F)	
Lamb			
Boneless leg	1.5-	Medium	20-25
	2.6 kg	(71° C / 160° F)	
	/ 4-7 lbs		
Pork			
Loin roast, boneless	1.5-	Medium	20-23
	2.2 kg	(71° C / 160° F)	
	/ 4-6 lbs		

Grilling Chart

- Knobs have High, Medium and Low settings for flame adjustment.
- Heat settings indicated are approximate.
- Grilling times are affected by weather conditions.
- When 2 temperatures are listed, for example: Medium to Medium-Low, start with the first and adjust based on cooking progress.
- Cooking times may vary from chart times depending on the type of fuel, Natural or LP gas.

FOOD	COOKING METHOD/ BURNER SETTING	INTERNAL TEMP.	TIME (total minutes)	SPECIAL INSTRUCTIONS
Beef				
Hamburgers 1.3 cm / ½ in to 1.9 cm / ¾ in thick	DIRECT Medium	Medium (71° C / 160° F)	10-15	Grill, turning once.
Roasts Rib Eye, Sirloin	INDIRECT Medium/OFF/Medium	Med-Rare (63° C / 145° F) to Medium (71° C / 160° F)	15-18 per kg / 32-40 per lb	Tent with foil first 45-60 minutes of cooking time.
Steaks, 2.5 cm / 1 in Porterhouse, Rib, T-bane, Top Loin, Sirloin	DIRECT Medium	Med-Rare (63° C / 145° F) to Medium (71° C / 160° F)	11-16	Rotate steaks ¼ turn to create criss-cross grill marks
Steaks, 3.8 cm / 1½ in Porterhouse, Rib, T-bane, Top Loin, Sirloin	DIRECT Medium	Med-Rare (63° C / 145° F) to Medium (71° C / 160° F)	18-25	
Top Round or Shoulder/ Chuck (London Broil) 3.8 cm / 1½ in thick	DIRECT Medium	Med-Rare (63° C / 145° F) to Medium (71° C / 160° F)	22-29	
Flank, 1.3 cm / ½ in thick	DIRECT Medium	Med-Rare (63° C / 145° F)	11-16	
Pork				
Chops, 2.5 cm / 1 in 3.8 cm / 1½ in thick	DIRECT Medium to Med-Low	Medium (71° C / 160° F)	12-20 30-40	
Ribs 0.9-1.5 kg / 2½-4 lbs	INDIRECT Medium/OFF/Medium	Medium (71° C / 160° F)	40-60	Grill, turning occasionally. During last few minutes brush with barbecue sauce if desired. When done, wrap in foil.
Roast, boneless tenderloin, 0.37 kg / 1lb	DIRECT Medium	Medium (71° C / 160° F)	18-22	Turn during cooking to brown on all sides.
Ham half, 3-3.7 kg / 8-10 lbs	INDIRECT Med/OFF/Med	Reheat (60° C / 140° F)	2-2½ hours	Wrap entire ham in foil and put on grill withough pan or drip pan
Ham steak precooked, 1.3 cm / ½" in thick	DIRECT Preheat Medium Grill Medium	Reheat (63° C / 145° F)	7-10	
Hot Dogs	DIRECT Medium	Reheat (63° C / 145° F)	5-10	Slit skin if desired.
Chicken				
Breast, boneless	DIRECT Medium	77° C / 170° F	15-22	For even cooking, pound breast to 2.0 cm / ¾ in thick.
Pieces, 0.75-1.1 kg / 2-3 lbs	DIRECT Med-Low to Medium	Breast 77° C / 170° F Thigh 82° C / 180° F	18-25	Start bone side down.
Lamb				
Chops and Steaks, Loin, Rib, Sirloin, 2.5 cm / 1 in thick	DIRECT Medium	Med-rare (63° C / 145° F) to Medium (71° C / 160° F)	10-20	
3.8 cm / 1½ in thick	DIRECT Medium	Med-rare (63° C / 145° F) to Medium (71° C / 160° F)	16-20	

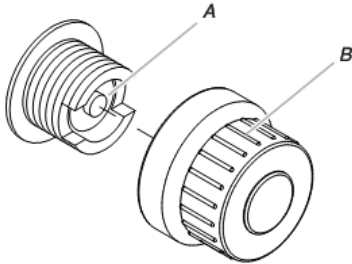
FOOD	COOKING METHOD/ BURNER SETTING	INTERNAL TEMP.	TIME (total minutes)	SPECIAL INSTRUCTIONS
Fish and Seafood				
Filletts, Steaks, Chunks Halibut, Salmon, Swordfish, 0.25 kg / 8 oz	DIRECT Medium		4-6 per 1.3 cm / 1/2 in thickness of fish	Grill, turning once. Brush grill with oil to keep fish from sticking. Remove when inside is opaque and flaky with skin easily removed.
Whole, Catfish, Rainbow Trout, 0.25-0.34 kg / 8-11 oz	DIRECT High		5-7 per side	
Shellfish, Scallops, Shrimp	DIRECT Medium		4-8	
Turkey				
Whole breast (bone-in)	INDIRECT HI/OFF/High	77° C / 170° F	7-8 per kg / 14-18 per lb	Tent with foil until last 30 minutes of cooking time.
Half breast (bone-in)	INDIRECT Medium/OFF/Medium	77° C / 170° F	11-13 per kg / 25-30 per lb	Start skin side down.
Whole, 2.6-5.4 kg / 7-12 lbs	INDIRECT HI/OFF/HI	Breast 77° C / 170° F Thigh 82° C / 180° F	5-7 per kg / 11-16 per lb	Less than 5.0kg / 11 lbs
Fresh Vegetables				
Corn on the cob	DIRECT Medium		20-25	Soak in cold water 20 minutes. Do not husk. Shake off excess water.
Eggplant	DIRECT Medium		7-10	Wash and cut into 1.3 cm / 1/2 in slices or lengthwise. Brush with olive oil.
Onion, 1.3 cm / 1/2 in thick	DIRECT Medium		8-20	Grill, turning once. Brush with olive oil. Put a skewer through several slices to hold together.
Potatoes, Sweet, whole	DIRECT Medium		40-70	Individually wrap in heavy- duty foil. Grill, rotating occasionally.
Baking, whole	DIRECT High		45-90	
Peppers, Roasted	DIRECT High		15-22	Wash and place on grill whole. Char skin all around. Cool in a paper bag or plastic wrap to loosen blackened skin. Peel and remove seeds.
Squash, Summer, Zucchini	DIRECT Medium		7-10	Wash and cut into 1.3 cm / 1/2 in slices or lengthwise. Brush with olive oil.
Garlic Roasted	DIRECT Medium		20-25	Cut off top, drizzle with olive oil and wrap in double layer of foil

OUTDOOR GRILL CARE

Replacing the Igniter Battery

If igniters stop sparking, the battery should be replaced.

1. The igniter button cap is located on the outside of the grill's right side panel.
2. Unscrew igniter button cap counterclockwise to remove.



A. "AA" size battery

B. Igniter cap

3. Remove battery from the battery compartment.
4. Replace with a new alkaline "AA" size battery. Install battery with negative end in first.
5. Screw igniter button cap clockwise into place.

General Cleaning

IMPORTANT: Before cleaning, make sure all controls are off and the grill is cool. Always follow label instructions on cleaning products.

For routine cleaning, wash with soap and water using a soft cloth or sponge. Rinse with clean water and dry at once with a soft, lint-free cloth to avoid spots and streaks.

Do not use steel wool to clean the grill, as it will scratch the surface.

To avoid weather damage to finish, use grill cover.

STAINLESS STEEL

IMPORTANT: To avoid damage to stainless steel surfaces, do not use soap-filled scouring pads, abrasive cleaners, cooktop polishing creme, steel wool, gritty wash cloths or paper towels. Cleaner should not contain chlorine. Damage may occur.

Food spills should be cleaned as soon as entire grill is cool. Spills may cause permanent discoloration.

Cleaning Method:

- Rub in direction of grain to avoid scratching or damaging the surface.
- Stainless steel cleaner.
- Liquid detergent or all-purpose cleaner.
- Rinse with clean water and dry with soft, lint-free cloth.
- Vinegar to remove hard water spots.
- Glass cleaner to remove fingerprints.

GRILL GRATES

IMPORTANT: Immediately after you are finished cooking, turn all burners to HIGH for 10-15 minutes with the hood closed to burn off food residue. Turn off all burners, raise the hood and let the grates cool. When completely cool, grill racks can be removed for thorough cleaning. Clean them with a mild detergent and warm water. For baked-on food residue, prepare a solution of 240 mL / 1 cup ammonia to 3.75 L / 1 gal. water. Soak grates for 20 minutes, then rinse with water and dry completely.

WARMING SHELF

Cleaning Method:

- Liquid detergent or an all-purpose cleaner.
- Rinse with clean water and dry with soft, lint-free cloth.
- For tough spots or baked-on grease, use a commercial degreaser.

IMPORTANT: Make sure gas supply is off and all control knobs are in the "O" position.

EXTERIOR

The quality of this material resists most stains and pitting, providing that the surface is kept clean, polished and covered.

Cleaning Method:

- Apply stainless steel polish to all non-cooking areas before first use. Reapply after each cleaning to avoid permanent damage to surface.
- Cleaning should always be followed by rinsing with clean warm water. Wipe the surface completely dry with a soft cloth.
- For tough spots or baked-on grease, use a commercial degreaser stainless steel.

INTERIOR

Discoloration of stainless steel on these parts is to be expected, due to intense heat from the burners. Always rub in the direction of the grain. Cleaning should always be followed by rinsing with clean, warm water.

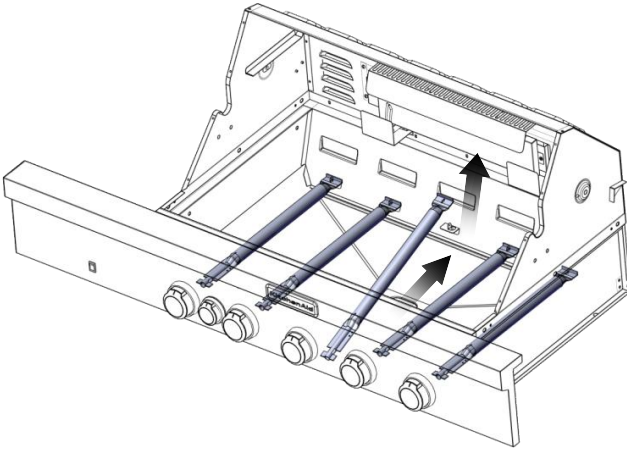
Cleaning Method:

- Liquid detergent or all-purpose cleaner.
- Rinse with clean water and dry completely with a soft, lint-free cloth.
- A heavy-duty scrub sponge can be used with mild cleaning products.
- For small, difficult-to-clean areas, use a commercial degreaser designed for stainless steel.

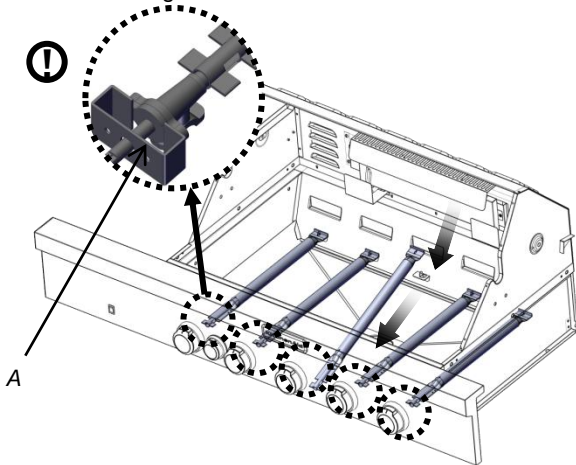
BURNERS

Cleaning Method:

- Clean the exterior of the burner with a wire brush.
 - Clear any clogged burner ports with a straightened paper clip.
 - Do not use a toothpick as it may break off and clog the port.
 - Check and clean burner/venturi tubes.
1. Remove grill grates and flame tamers.
 2. Remove the 2 screws and cotter pin that hold the burner in place. Remove gas burner from the grill.



3. Use a flashlight to inspect into the burner through the burner inlet to ensure there is no blockage. If any obstruction is seen, use a metal coat hanger that has been straightened to clear them.
4. After inspecting the inside of burner for blockage, reassemble burner by sliding the middle tube of the gas burner over the gas orifice.



A. Burner/orifice connection

5. Reattach gas burner using screw and cotter pin.

SEAR BURNER

Cleaning Method:

- Clean the exterior of the sear burner with a wire brush.

ROTISSIERE BURNER

Cleaning Method:

1. Light the rotisserie burner. See the “Using Your Rotisserie Burner” section.
2. Close the grill hood.
3. Leave the burner on high for approximately 30 minutes.
4. Turn knob to OFF and let cool completely.
5. Brush off ash particles from the rotisserie burner.

SIDE BURNER

Cleaning Method:

- Clean the exterior of the side burner with a wire brush.

GREASE CUP

IMPORTANT: The grease cup should only be removed when grill is completely cool. The grease cup collects grease and food particles that fall through the grill. Clean often to avoid grease buildup.

Cleaning Method:

- Remove the grease cup.
- Wipe excess grease with mild detergent and warm water using paper towels.
- Rinse and dry thoroughly.
- Replace grease box.

KNOBS AND FLANGE AREA AROUND KNOBS

IMPORTANT: To avoid damage to knobs or flange area around knobs, do not use steel wool, abrasive cleaners, or oven cleaner. Do not soak knobs.

Cleaning Method:

- Mild detergent, a soft cloth and warm water.
- Rinse and dry.

CONTROL PANEL GRAPHICS

IMPORTANT: To avoid damage to control panel graphics, do not use steel wool, abrasive cleaners or oven cleaner. Do not spray cleaner directly onto panel.

Cleaning Method:

- Clean around the burner labels gently; scrubbing may remove printing.
- Mild detergent, soft cloth and warm water.
- Rinse and dry.

TROUBLESHOOTING

Grill will not light

- **Is the 20 lb LP gas fuel tank valve turned off?**
Turn the 20 lb LP gas fuel tank on.
- **Is the grill properly connected to the gas supply?**
Contact a trained repair specialist or see Installation Instructions.
- **Is there gas in the 20 lb LP gas fuel tank?**
Check the gas level.
- **Is the igniter working?**
Check that the igniter battery is properly installed or check to see if the battery needs to be replaced. See the “Replacing the Igniter Battery” section.
Check to see if the grill will match-light. See “Manually Lighting the Grill and side burner” in the “Outdoor Grill Use” section.
Check for loose wire connections to the igniter or electrodes.
Check to see if debris is blocking the electrodes. If a spark occurs anywhere but the igniter tip, replace the igniter.

Burner flame will not stay lit

- **Is the gas supply fully turned on?**
Check that the 20 lb LP gas fuel tank valve is fully open.
- **Is the gas supply in the 20 lb LP fuel gas tank low?**
Check the gas level.
- **Is the burner properly installed and in good condition?**
Check that the burner is installed properly. Check for defects in the burner.

Flame is noisy, low or erratic

- **Is the gas supply fully turned on?**
Check that the 20 lb LP gas fuel tank valve is fully open.
- **Is the gas supply in the 20 lb LP fuel gas tank low?**
Check the gas level.
- **Does only one burner appear low?**
Check and clean the burner ports if clogged or dirty. See “General Cleaning” section.
- **Is the gas supply hose bent or kinked?**
Straighten the gas supply hose.
- **Is the flame noisy or lifting away from the burner?**
Burner may be getting too much air. Check the air shutter adjustment, see “Check and Adjust Burners” section.
- **Is the burner flame mostly yellow or orange?**
Grill may be in an area that is too windy, or not receiving enough air. Check the burner air inlets for obstructions. Check the air shutter adjustment, see “Check and Adjust the Burners” section.

Excessive flare-ups

- **Is there excessive fat in the food being grilled?**
Keep flame on low or turn one burner off.
Keep the hood up when grilling to avoid excessive flare-ups.
Move food to the warming rack until flames subside.
To avoid damage to the grill, do not spray water on gas flames.

Low Heat

LP Gas:

For outdoor grills using a 20lb LP gas fuel tank, slowly open the tank valve.

NOTE: If flow limiting device activates, your grill may not light. If your grill does light, the flames will be low and will not heat properly.

1. Turn tank valve and all control knobs off and wait 30 seconds.
2. After shutting off the tank, very slowly open the tank valve and wait 5 seconds before lighting.
3. Light the burners one at a time. See “Lighting the Grill and side burner” section.

Natural Gas:

Gas pressure is affected by size and length of the gas line from the house to the grill. Contact a qualified gas technician to provide the Natural gas supply to the selected grill location in accordance with the National Fuel Gas Code ANSI Z223.1/NFPA54 - latest edition and local codes.

ASSISTANCE

Before calling for assistance, please check “Troubleshooting.” If you still need help, follow the instructions below.

When calling, please know the purchase date and the complete model and serial number of your appliance. This information will help us to better respond to your request.

If you need replacement parts

If you have questions or need to order replacement parts, contact Customer Service Center at **1-877-373-2301**.

Please direct all correspondence to:
Nexgrill Industries, Inc.
14050 Laurelwood PI, Chino, CA 91710

Please include a daytime phone number in your correspondence.

Accessories

Natural Gas Conversion Kit

Order Part Number 710-0003

Rotisserie Kit

Order Part Number 790-0007A

LIMITED WARRANTY (Model # 860/870-0003B)

Nexgrill warrants to the original consumer-purchaser only that this product (Model# 860/870-0003B) shall be free from defects in workmanship and materials after correct assembly and under normal and reasonable home use for the periods indicated below beginning on the date of purchase. The manufacturer reserves the right to require photographic evidence of damage, or that defective parts be returned, postage and or freight pre-paid by the consumer, for review and examination.

Stainless steel tube burner: 10 year LIMITED warranty against perforation, **Other burners** – 1 year

Grids and grates: 1 Year LIMITED warranty, does not cover dropping, chipping, scratching or surface damage

Stainless steel parts: 3 Year LIMITED warranty against perforation, does not cover cosmetic issue like surface corrosion, scratched and rust

All other parts: 1 Year LIMITED warranty (Includes, but not limited to, valves, frame, housing, cart, control panel, igniter, regulator, hoses); does not cover chipping, scratching, cracking surface corrosion, scratches or rust.

Upon consumer supplying proof of purchase as provided herein, Manufacturer will repair or replace the parts which are proven defective during the applicable warranty period. Parts required to complete such repair or replacement shall be free of charge to you except for shipping costs, as long as the purchaser is within the warranty period from the original date of purchase. The original consumer-purchaser will be responsible for all shipping charges of parts replaced under the terms of this limited warranty. This limited warranty is applicable in the United States and Canada only. It is only available to the original owner of the product and is *not transferable*. Manufacturer requires reasonable proof of your date of purchase. Therefore, you should retain your sales receipt and/or invoice. If the unit was received as a gift, please ask the gift-giver to send in the receipt on your behalf, to the below address. Defective or missing parts subject to this limited warranty will not be replaced without registration or proof of purchase. This limited warranty applies to the functionality of the product **ONLY** and does not cover cosmetic issues such as scratches, dents, corruptions or discoloring by heat, abrasive and chemical cleaners or any tools used in the assembly or installation of the appliance, surface rust, or the discoloration of stainless steel surfaces. Surface rust, corrosion, or powder paint chipping on metal parts that does not affect the structural integrity of the product is not considered a defect in workmanship or material and is not covered by this warranty. This limited warranty will not reimburse you for the cost of any inconvenience, food, personal injury or property damage. If an original replacement part is not available, a comparable replacement part will be sent. You will be responsible for all shipping charges of parts replaced under the terms of this limited warranty.

ITEMS MANUFACTURER WILL NOT PAY FOR:

- Service calls to your home.
- Repairs when your product is used for other than normal, single-family household or residential use.
- Damage resulting from accident, alteration, misuse, lack of maintenance/cleaning, abuse, fire, flood, acts of God, improper installation, and installation not in accordance with electrical or plumbing codes or use of products not approved by the manufacturer.
- Any food loss due to product failures.
- Replacement parts or repair labor costs for units operated outside the United States or Canada.
- Pickup and delivery of your product.
- Postage fees or photo processing fees for photos sent in as documentation.
- Repairs to parts or systems resulting from unauthorized modifications made to the product.
- The removal and/or reinstallation of your product.
- Shipping cost, standard or expedited, for warranty/non warranty and replacement parts.

DISCLAIMER OF IMPLIED WARRANTIES; LIMITATION OF REMEDIES

Repair or replacement of defective parts is your exclusive remedy under the terms of this limited warranty. Manufacturer will not be responsible for any consequential or incidental damages arising from the breach of either this limited warranty or any applicable implied warranty, or for failure or damage resulting from acts of God, improper care and maintenance, grease fire, accident, alteration, replacement of parts by anyone other than Manufacturer, misuse, transportation, commercial use, abuse, hostile environments (inclement weather, acts of nature, animal tampering), improper installation or installation not in accordance with local codes or printed manufacturer instructions.

THIS LIMITED WARRANTY IS THE SOLE EXPRESS WARRANTY GIVEN BY THE MANUFACTURER. NO PRODUCT PERFORMANCE SPECIFICATION OR DESCRIPTION WHEREVER APPEARING IS WARRANTED BY MANUFACTURER EXCEPT TO THE EXTENT SET FORTH IN THIS LIMITED WARRANTY. ANY IMPLIED WARRANTY PROTECTION ARISING UNDER THE LAWS OF ANY STATE, INCLUDING IMPLIED WARRANTY OF MERCHANTABILITY OR FITNESS FOR A PARTICULAR PURPOSE OR USE, IS HEREBY LIMITED IN DURATION TO THE DURATION OF THIS LIMITED WARRANTY.

Neither dealers nor the retail establishment selling this product has any authority to make any additional warranties or to promise remedies in addition to or inconsistent with those stated above. Manufacturer's maximum liability, in any event, shall not exceed the documented purchase price of the product paid by the original consumer. This warranty only applies to units purchased from an authorized retailer and or re-seller.

NOTE: Some states do not allow an exclusion or limitation of incidental or consequential damages, so some of the above limitations or exclusions may not apply to you; this limited warranty gives you specific legal rights as set for herein. Rights may vary depending on where your reside.

If you wish to obtain performance of any obligation under this limited warranty, you should write to:

**Nexgrill Customer Relations
14050 Laurelwood PI
Chino, CA 91710**

All consumer returns, parts orders, general questions, and troubleshooting assistance can be acquired by calling 1-877-373-2301.

SEGURIDAD DEL ASADOR PARA EXTERIORES

Su seguridad y la seguridad de los demás es muy importante.

Hemos incluido muchos mensajes importantes de seguridad en este manual y en su electrodoméstico. Lea y obedezca siempre todos los mensajes de seguridad.



Este es el símbolo de advertencia de seguridad.

Este símbolo le llama la atención sobre peligros potenciales que pueden ocasionar la muerte o una lesión a usted y a los demás.

Todos los mensajes de seguridad irán a continuación del símbolo de advertencia de seguridad y de la palabra "PELIGRO" o "ADVERTENCIA". Estas palabras significan:

 **PELIGRO**

Si no sigue las instrucciones de inmediato, usted puede morir o sufrir una lesión grave.

 **ADVERTENCIA**

Si no sigue las instrucciones, usted puede morir o sufrir una lesión grave.

Todos los mensajes de seguridad le dirán el peligro potencial, le dirán cómo reducir las posibilidades de sufrir una lesión y lo que puede suceder si no se siguen las instrucciones.



PELIGRO

Si usted siente olor a gas:

- **Cierre el suministro de gas al aparato.**
- **Extinga cualquier llama que esté al descubierto.**
- **Abra la tapa.**
- **Si continúa el olor, manténgase lejos del aparato y llame inmediatamente a su proveedor de gas o al departamento de bomberos.**



ADVERTENCIA

1. **No almacene ni use gasolina u otros líquidos o vapores inflamables cerca de éste o cualquier otro aparato.**
2. **No deberá guardarse un tanque de gas LP que no esté conectado para ser usado cerca de éste o cualquier otro aparato.**

Advertencias de la Proposición 65 del estado de California:

ADVERTENCIA: Para operar, este equipo requiere el uso de gas propano, que contiene la sustancia química benceno identificada por el estado de California como causante de cáncer u otro tipo de daño en la función reproductora.

ADVERTENCIA: Este producto contiene una o más sustancias químicas identificadas por el estado de California como causantes de cáncer.

ADVERTENCIA: Este producto contiene una o más sustancias químicas identificadas por el estado de California como causantes de defectos congénitos o algún otro tipo de daños en la función reproductora.

En el estado de Massachusetts se aplican las siguientes instrucciones de instalación:

- Las instalaciones y reparaciones se deben efectuar por un contratista, plomero o gasista calificado o licenciado por el estado de Massachusetts.
- Si se usa una válvula de bola, debe ser un tipo de manigueta T.
- Si se usa un conector de gas flexible no debe exceder de 3 pies.

IMPORTANTE: Este asador ha sido fabricado únicamente para uso en exteriores. Para los asadores que vayan a usarse a elevaciones por encima de 2000 pies (609,6 m), se requiere la conversión del orificio. Vea la sección "Requisitos del suministro de gas". Es la responsabilidad del instalador cumplir con los espacios de instalación mínimos especificados en la placa de clasificación de modelo/serie. La placa de clasificación de modelo/serie para modelos autónomos puede encontrarse en el interior de la puerta de la carcasa del lado izquierdo.

INSTRUCCIONES IMPORTANTES DE SEGURIDAD

ADVERTENCIA : Para reducir el riesgo de incendio, choque eléctrico, lesiones a personas o daños al usar el aparato de cocción a gas en exteriores, siga precauciones básicas, incluyendo las siguientes:

- No instale aparatos de cocción a gas portátiles o empotrados para exteriores adentro ni sobre un vehículo recreativo, remolque portátil, bote ni ningún otro tipo de instalación que esté en movimiento.
- Mantenga siempre los espacios mínimos de la construcción combustible; vea la sección "Requisitos de ubicación".
- No deberá ubicarse el aparato de cocción combustible sin protección en un lugar elevado.
- Este aparato a gas para la cocción en el exterior deberá usarse en un edificio, garaje ni ningún otra área encerrada.
- Mantenga todos los cables de suministro eléctrico y mangueras de suministro de combustible lejos de las superficies calientes.
- Mantenga el área del aparato de cocción a gas en exteriores limpia y libre de materiales combustibles, gasolina y otros vapores y líquidos inflamables.
- No obstruya el flujo de aire para la combustión y la ventilación. Mantenga las aberturas de ventilación del recinto del tanque libres de desechos y despejadas.
- Abra la puerta de la carcasa e inspeccione la manguera de suministro del tanque de gas antes de cada uso del aparato de cocción a gas en exteriores. Si la manguera da muestras de abrasión o desgaste excesivo, o si está cortada, DEBERÁ ser reemplazada antes de usar el aparato de cocción a gas en exteriores. Contáctese con el distribuidor y use solamente las mangueras de repuesto especificadas para ser usadas con el aparato de cocción a gas en exteriores.
- Inspeccione visualmente las llamas del quemador. Deberán ser azules. Para el gas LP, es normal que la punta de la llama tenga un color ligeramente amarillo. Las llamas deberán tener una altura aproximada de 2.5 cm / 1 in.



- Revise y limpie el quemador/tubo Venturi para ver si hay insectos y nidos de insectos. Un tubo obstruido puede ocasionar un incendio debajo del aparato de cocción a gas para exteriores.

- El tanque de suministro de gas LP a usarse deberá ser:
 - construido y marcado de acuerdo con la especificación para tanques de gas LP del U.S Department of Transportation (Departamento de transporte de EE.UU.-DOT) o de National Standard of Canada (Instituto nacional de normas de Canadá), CAN/CSA-B339, tanques, esferas y tubos para el transporte de artículos peligrosos; y por Commission.
 - provisto de un aparato de prevención de sobrellenado probado.
 - provisto de un dispositivo de conexión para el tanque que sea compatible con la conexión para aparatos de cocción a gas en exteriores.
- Revise siempre las conexiones para ver si tienen fugas cada vez que conecte y desconecte el tanque de suministro de gas LP. Consulte la sección "Instrucciones de instalación".
- Cuando no se esté usando el aparato de cocción a gas en exteriores, deberá cerrarse el gas en el tanque de suministro.
- Solamente se permitirá guardar el aparato de cocción a gas en exteriores en el interior si se desconecta el tanque y se saca el aparato de cocción a gas en exteriores.
- Los tanques deberán guardarse al aire libre, fuera del alcance de los niños y no guardarse en un edificio, garaje ni ningún área encerrada.
- Deberá usarse el ensamblaje de regulador de presión y manguera provisto con el aparato de cocción a gas en exteriores. Hay disponible con el distribuidor de aparatos de cocción a gas en exteriores un ensamblaje de regulador de presión y manguera de repuesto específico para su modelo.
- El tanque de gas deberá incluir un collarín para proteger la válvula del mismo.
- Para los aparatos diseñados para usar una conexión CGA791: Coloque una tapa guardapolvo en la salida de la válvula del tanque siempre que no se esté usando el tanque. Instale solamente el tipo de tapa guardapolvo en la salida de la válvula del tanque provista con la misma. El uso de otro tipo de tapas o tapones puede ocasionar fugas de propano.

Si no se sigue con exactitud la información a continuación, puede ocurrir un incendio, ocasionando la muerte o heridas serias.

- No guarde un tanque de gas LP de repuesto debajo de éste u otro aparato de cocción a gas en exteriores.
- Nunca llene el tanque a más de 80 % de su capacidad.

GUARDE ESTAS INSTRUCCIONES

REQUISITOS DE INSTALACIÓN

Requisitos de ubicación

⚠ ADVERTENCIA



Peligro de Explosión

No almacene un tanque de combustible en un garaje o bajo techo.

No almacene el asador con el tanque de combustible en un garaje o bajo techo.

No seguir estas instrucciones puede ocasionar la muerte, explosión o incendio.

⚠ ADVERTENCIA



Peligro de Incendio

No use el asador cerca de materiales combustibles.

No almacene materiales combustibles cerca del asador.

No seguir estas instrucciones puede ocasionar la muerte o incendio.

Elija una ubicación en donde la exposición al viento y vías de tránsito sea la mínima. La ubicación debe estar lejos de zonas con corrientes fuertes de aire.

No obstruya el flujo de aire para la combustión y la ventilación. Espacio para la construcción combustible para el asador:

- Debe mantenerse un mínimo de 91 cm / 36 in entre el frente de la capota del asador, los lados y la parte posterior del asador y cualquier construcción combustible.
- También debe mantenerse un espacio mínimo de 91 cm / 36 in debajo de la superficie de cocción y de cualquier construcción combustible.

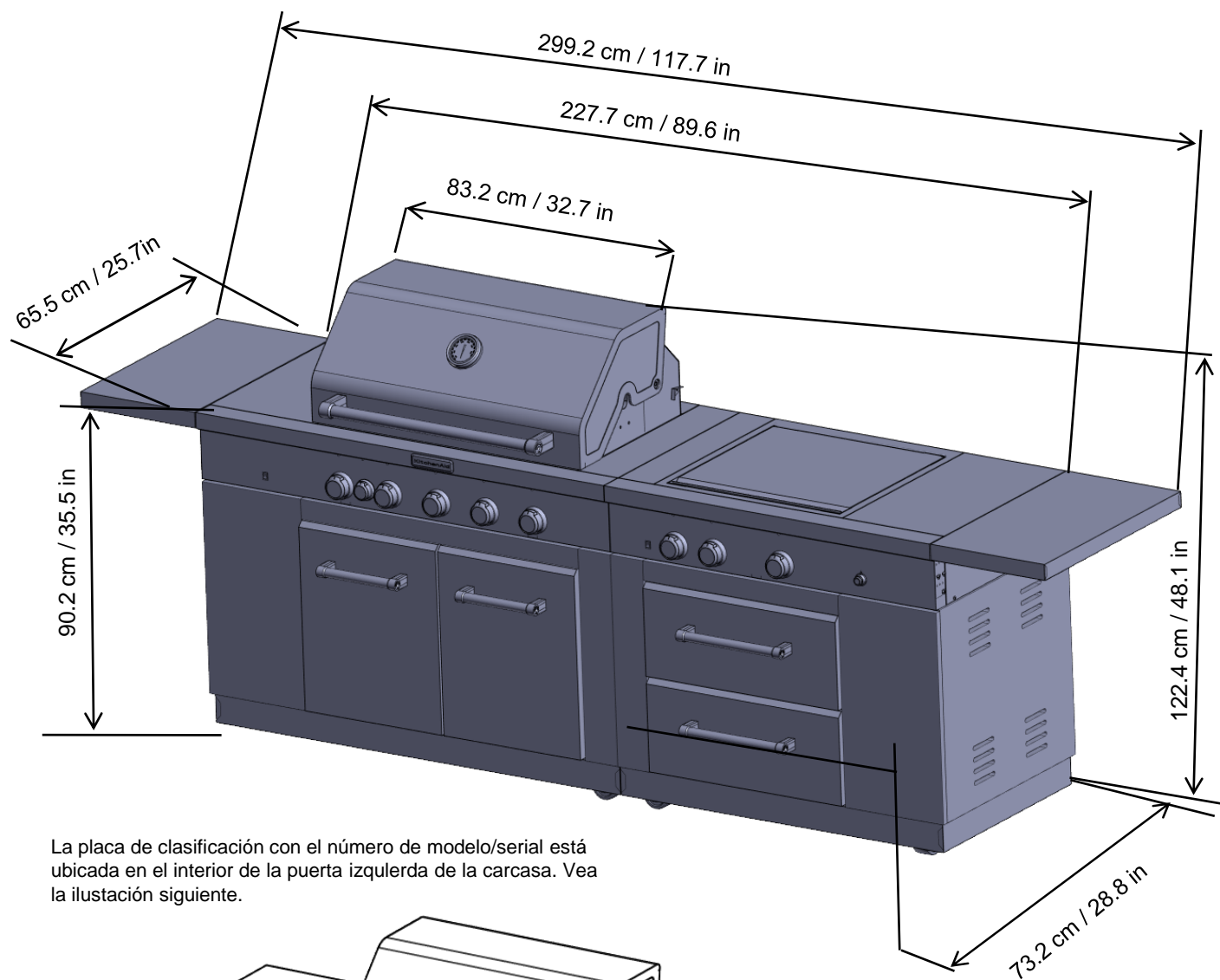
Rostizador (accesorio no está incluido)*

Si usted acondiciona su asador con un rostizador, se necesita un espacio mínimo de 15,2 cm / 6 in para el motor del mismo. Se necesita un contacto de conexión a tierra de 3 terminales ubicado en el lado izquierdo del asador.

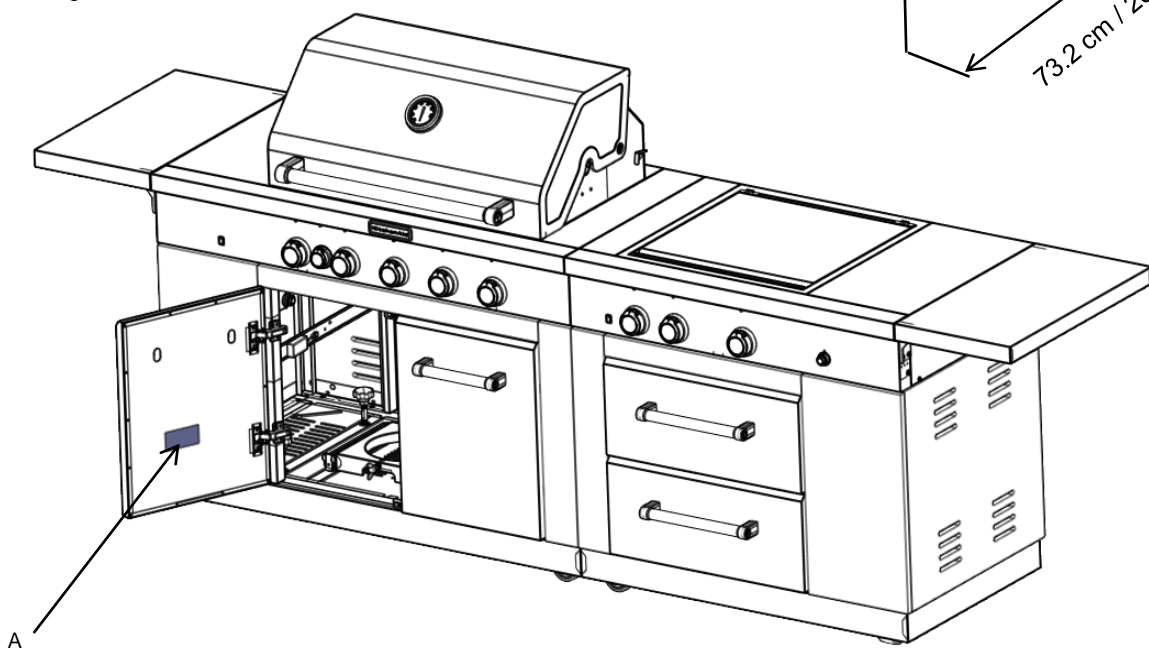
*Vea la sección "Asistencia" para encargarlo.

REQUISITOS DE INSTALACIÓN

Medidas del producto



La placa de clasificación con el número de modelo/serial está ubicada en el interior de la puerta izquierda de la carcasa. Vea la ilustración siguiente.



A. Placa con el número de modelo/serie

Requisitos del suministro de gas

⚠ ADVERTENCIA



Peligro de Explosión

Use una línea de suministro de gas nueva "para exteriores" con aprobación de CSA International.

Instale una válvula de cierre.

Apriete firmemente todas las conexiones de gas.

Si se conecta a un suministro de gas LP, la presión del gas no debe exceder una columna de agua de 36 cm (14") y debe ser verificada por una persona calificada.

Ejemplos de una persona calificada incluyen:

personal de servicio del sistema de calefacción con licencia, personal autorizado de la compañía de gas, y personal autorizado para dar servicio.

No seguir esta instrucción puede ocasionar la muerte, explosión o incendio.

Observe todos los códigos y ordenanzas aplicables.

IMPORTANTE: Esta instalación debe hacerse de acuerdo con todos los códigos y ordenanzas locales. Si no hay códigos locales, la instalación se debe realizar según el Código nacional de gas combustible (National Fuel Gas Code), ANSI Z 223.1 / NFPA 54, el Código nacional NFPA 54, el Código de instalación el Código nacional NFPA 54, el Código de instalación de gas natural y propano (Natural Gas and propane Installation Code), B149 / NFPA 1192 y el storage and Handling Code). B149.2, o el Estándar para vehículos de recreación de la series VR CSA Z240, como corresponda.

IMPORTANTE: El asador deberá ser conectado a un suministro de gas regulado. Consulte la placa de clasificación de modelo/serie para obtener información acerca del tipo de gas que puede usarse. Si esta información no está de acuerdo con el tipo de gas disponible, verifique con su distribuidor de gas local.

Conversión de gas:

No se deberá hacer intento alguno para convertir el asador del gas especificado en la placa de clasificación de modelo/serie para utilizar un gas distinto sin consultar con el abastecedor de gas. Deberá usarse el juego para la conversión provisto con el asador. Consulte la sección "Conversiones de gas" para ver las instrucciones.

Regulador de la presión de gas

Deberá usarse el regulador de la presión de gas suministrado con este asador. Para el funcionamiento adecuado, la presión de entrada (el suministro) al regulador deberá ser como se indica a continuación:

Gas LP:

Presión de funcionamiento: 11 in de presión de la columna de agua.

Presión de entrada (suministro): 11 in a 14 in de presión de la columna de agua.

Gas natural:

Presión de funcionamiento: 4 in de presión de la columna de agua.

Presión de entrada funcionamiento: 7 in a 14 in de presión de la columna de agua como máximo.

Póngase en contacto con el proveedor de gas de su localidad si no está seguro acerca de la presión de entrada (suministro).

Requisitos del quemador para una altitud elevada

La capacidad nominal de entrada que se muestra en la placa de clasificación del modelo/serie es para elevaciones de hasta 2.000 pies (609,6 m).

Para elevaciones mayores de 2.000 pies (609,6 m), la capacidad se reduce a un ritmo de 4% por cada 1.000 pies (304,8 m) por encima del mar. Se necesita convertir el orificio. Vea la sección "Asistencia" para encargarlo.

Prueba de presión de la línea de suministro de gas

Prueba para una presión mayor a la presión (indicador) de una columna de agua de 14 in ó 3,5 kPa / 1/2 lb/pulg² :

El asador y su válvula de cierre individual deberán ser desconectados del sistema de tubería del suministro de gas durante toda prueba efectuada en dicho sistema a presiones de prueba mayores de 3,5 kPa / 1/2 lb/pulg².

Prueba para una presión menor a la presión (indicador) de una columna de agua de 14 in ó 3,5 kPa / 1/2 lb/pulg² :

El asador deberá aislarse del sistema de tubería del suministro de gas cerrando la válvula de cierre individual manual durante toda prueba de presiones de prueba iguales o menores de 3,5 kPa / 1/2 lb/pulg².

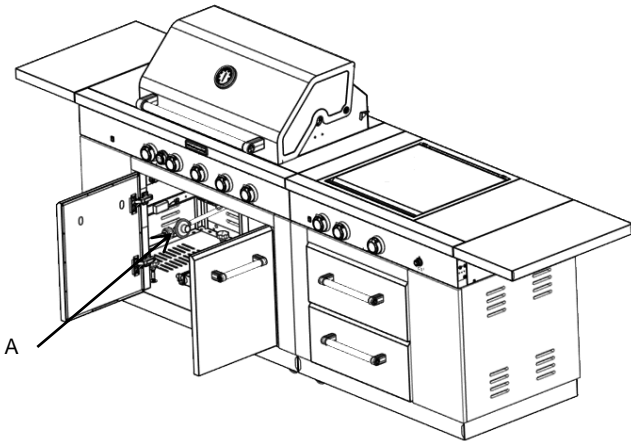
Requisitos para la conexión de gas

Tanque de gas LP de 20 lb

Este asador está equipado para usarse con un tanque de gas LP de 20 lb (el tanque de combustible no ha sido provisto). Se ha provisto un ensamblaje de regulador de presión/manguera de gas.

Cualquier marca de tanque de gas LP de 20 lb es aceptable para ser usado con el asador, siempre y cuando sea compatible con los medios de retención del asador (incluyendo la bandeja del tanque).

El diseño de este asador también está certificado por CSA International para el suministro local de gas LP o para gas natural con la conversión apropiada.

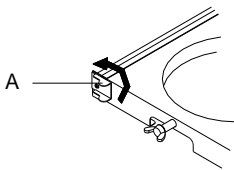


A. Ensamblaje de regulador de presión/manguera de gas

El tanque de gas LP de 20 lb deberá ser montado y asegurado.

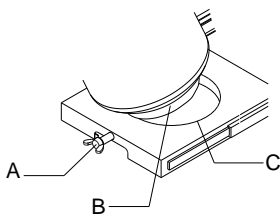
Bandeja de tanque - Estilo con puertas

1. Abra las puertas de la carcasa.
2. Deslice el soporte de sujeción de la bandeja del tanque 90° hacia la izquierda y jale la bandeja hacia fuera.



A. Soporte de sujeción de la bandeja del tanque

3. Coloque el collarín inferior del tanque de gas LP de 20 lb en el orificio de montaje que está en la bandeja del tanque.
4. Apriete el perno del tanque hacia la derecha contra el collarín inferior del tanque de gas LP de 20 lb para asegurarlo.



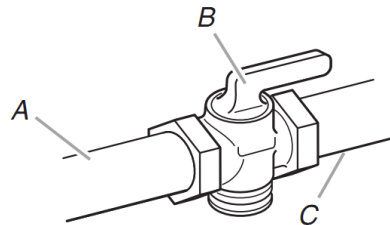
A. Tornillo de sujeción
B. Contra el collarín inferior
C. Orificio de montaje

5. Deslice el cajón con el tanque de gas LP de 20 lb nuevamente dentro de la carcasa. Gire el soporte de sujeción de la bandeja del tanque 90° hacia la derecha para apretarlo.

Conversión a gas natural

La conversión deberá llevarla a cabo un técnico de gas competente. El técnico competente de gas natural deberá proveer el suministro de gas natural en el lugar seleccionado para el asador, de acuerdo con el Código nacional de gas combustible (National Fuel Gas Code) ANSI Z223.1/NFPA 54 – última edición, y los códigos locales. Para la conversión a gas natural deberá usarse el Juego de conversión a gas natural provisto con el asador (en algunos modelos) o el Juego de conversión a gas natural, Pieza número 710-0003. Vea la sección "Asistencia" para obtener información sobre pedidos.

IMPORTANTE: La instalación de gas debe cumplir con los códigos locales o, en la ausencia de los mismos, con el Código nacional de gas combustible (National Fuel Gas Code), ANSI Z223.1/NFPA 54 - última edición. Siga las instrucciones para la conversión a gas natural en la sección "Conversiones de gas" de este manual o las instrucciones provistas con el Juego de conversión a gas natural, Pieza número 710-0003. La línea de suministro de gas deberá equiparse con una válvula de cierre aprobada. Esta válvula deberá estar ubicada en la misma área que el asador y deberá estar en un lugar que permita abrirla y cerrarla con facilidad. No bloquee el acceso a la válvula de cierre. La válvula es para abrir o cerrar el suministro de gas al asador.



A. Línea de suministro de gas
B. Válvula de cierre en posición "abierta"
C. Al asador

Conexión del suministro de gas

NOTA: Si se va a convertir el asador a gas natural, siga las instrucciones en la sección "Conversiones de gas".

Tanque de gas LP de 20 lb

⚠ ADVERTENCIA



Peligro de Explosión

Apriete firmemente todas las conexiones de gas.

Si se conecta a un suministro de gas LP, la presión del gas no debe exceder una columna de agua de 36 cm (14") y debe ser verificada por una persona calificada.

Ejemplos de una persona calificada incluyen:
personal de servicio del sistema de calefacción con licencia,
personal autorizado de la compañía de gas, y
personal autorizado para dar servicio.

No seguir estas instrucciones puede ocasionar la muerte, explosión o incendio.

Gas LP:

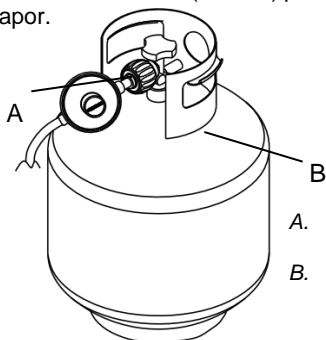
IMPORTANTE: Deberá comprarse por separado un tanque de gas LP de 20 lb.

IMPORTANTE: Deberá usarse el ensamblaje de regulador de presión/manguera de gas provisto con el asador. Hay disponible con el distribuidor de asadores para exteriores un ensamblaje de regulador de presión/manguera de gas de repuesto específico para su modelo.

Para conectar el tanque de gas LP de 20 lb:

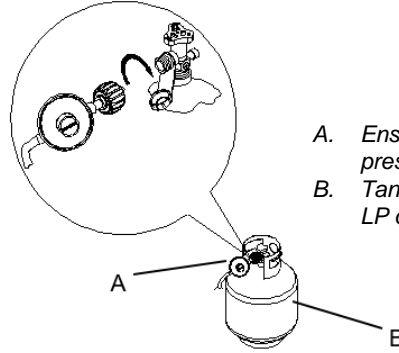
1. Revise que el tanque de gas LP de 20 lb esté en la posición de "OFF" (Apagado). Si no es así, gire la válvula hacia la derecha hasta que se detenga.
2. Verifique que la válvula del tanque de gas LP de 20 lb tenga las conexiones externas tipo 1 de rosca macho apropiadas según la norma ANSI Z21.81.
3. Verifique que las perillas de control del quemador estén en la posición de "OFF" (Apagado).
4. Quite todos los desechos e inspeccione las conexiones de la válvula, el orificio y el ensamblaje de regulador de presión/manguera de gas para ver si están dañados.

NOTA: Mantenga siempre el cilindro de gas LP en una orientación de 90° (vertical) para permitir que se escape el vapor.



- A. Ensamblaje de regulador de presión/manguera de gas
B. Tanque de gas combustible LP de 20 lb

5. Gire con la mano el ensamblaje del regulador de presión/manguera de gas hacia la derecha para conectarlo al tanque de gas LP de 20 lb, como se muestra. Apriete solamente con la mano. El uso de una llave de tuercas podría dañar la tuerca de acoplamiento de conexión rápida.

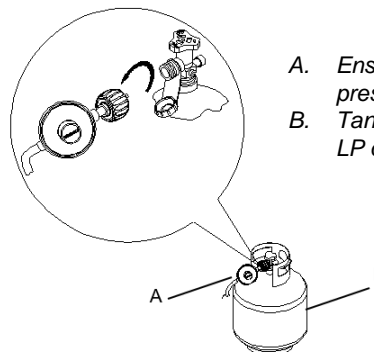


- A. Ensamblaje de regulador de presión/manguera de gas
B. Tanque de gas combustible LP de 20 lb

- Asegúrese de que el dispositivo de conexión de la válvula del cilindro sea adecuado para el dispositivo de conexión que está sujeto a la entrada del regulador de presión.
6. Abra por completo la válvula del tanque, girándola hacia la izquierda. Espere unos minutos para que el gas fluya en la línea de gas.
 7. Antes de encender el asador, pruebe todas las conexiones aplicando con un cepillo una solución aprobada para detección de fugas que no sea corrosiva. Se observarán burbujas si hay fugas.
 8. Si se encuentran fugas, cierre la válvula del tanque y no use el asador. Contacte a un técnico de gas competente para hacer reparaciones.
 9. Vaya a la sección "Verificación y ajuste de los quemadores".

Para desconectar el tanque de gas combustible LP de 20 lb:

1. Compruebe que las perillas de control estén en la posición "OFF" (Apagado) y la parrilla esté fría .
2. Compruebe que el depósito de combustible de gas LP de 20 lb está en la posición "OFF" (Apagado). Si no es así, gire la válvula en sentido horario hasta que se detenga .
3. Con la mano , gire el conjunto del regulador de presión de gas / manguera de la izquierda para desconectar al depósito de combustible de gas LP de 20 lb como se muestra . Aflojar a mano. El uso de una llave podría dañar la tuerca de acoplamiento rápido.
4. Coloque la tapa guardapolvo sobre la salida de la válvula del cilindro cuando no está en uso . Sólo instalar el tipo de cubierta de polvo en la salida de la válvula que se proporciona con la válvula del cilindro . Otros tipos de tapas o tapones pueden dejar escapar el gas propano .



- A. Ensamblaje de regulador de presión/manguera de gas
B. Tanque de gas combustible LP de 20 lb

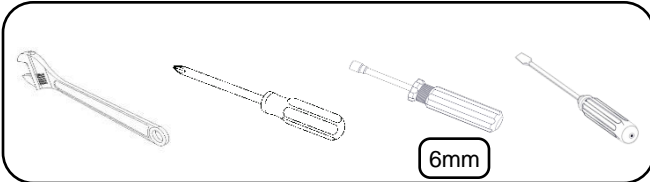
CONVERSIÓN DE GAS

Herramientas y piezas para la conversión de gas

Reúna todas las herramientas y piezas necesarias antes de comenzar la instalación.

Lea y siga las instrucciones provistas con cualquiera de las herramientas enlistadas aquí.

Herramientas necesarias



Piezas provistas

- Orificios de gas natural

Piezas necesarias

- Juego de conversión a gas natural, Pieza número 710-0003. Vea la sección "Asistencia" para hacer un pedido. El juego para la conversión incluye:
 - Regulador de gas natural para una columna de agua de 4 in (etiquetado "Natural Gas Regulator" [Regulador de gas natural])
 - Manguera para gas natural con conector rápido de 3,0 m / 10 pies
 - Manguera reguladora de gas natural de 150 mm / 5,9 in
 - Aprietatuercas de 6 mm
 - Llave de tuercas de 6 mm
 - Llave hexagonal en L

IMPORTANTE: Las conversiones de gas deberán ser hechas por parte de un instalador competente. Antes de proceder a la conversión, cierre el suministro de gas al grill.

⚠ ADVERTENCIA



Peligro de Explosión

Use una línea de suministro de gas nueva "para exteriores" con aprobación de CSA International.

Instale una válvula de cierre.

Apriete firmemente todas las conexiones de gas.

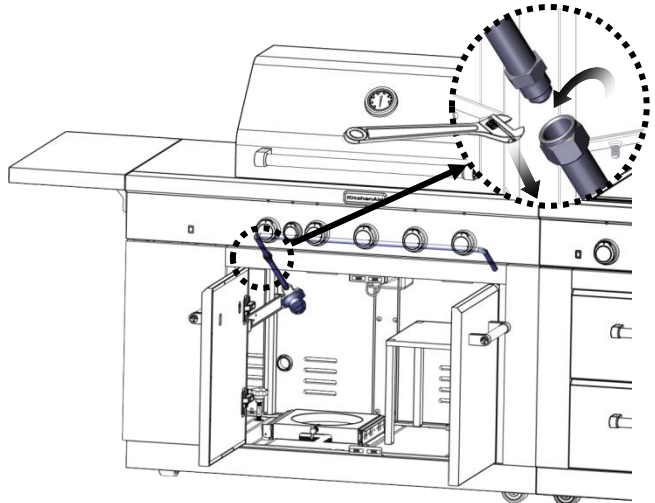
No seguir estas instrucciones puede ocasionar la muerte, explosión o incendio.

Conversión de gas LP a gas natural

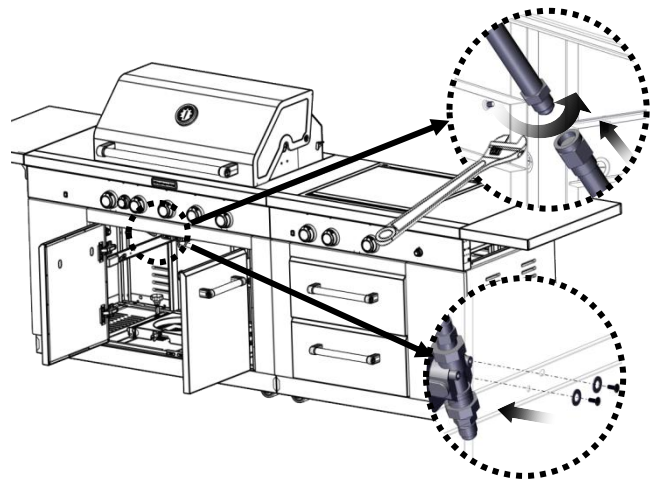
Instalación del regulador

1. Cierre la válvula del suministro principal de gas.
2. Desconecte el tanque de gas LP de 20 lb (si está presente).
3. Cierre las válvulas de control de todos los quemadores.
4. Quite el tanque de gas LP de 20 lb (si está presente) del carro del asador.

5. Use una llave de tuercas ajustable para quitar el regulador de gas LP del distribuidor.



6. Use una llave de tuercas ajustable para instalar la manguera reguladora de gas natural al distribuidor y asegurarla. Sujete el regulador de gas natural al panel lateral, que está dentro del carro del asador, con los dos tornillos que están previamente ensamblados en el regulador.

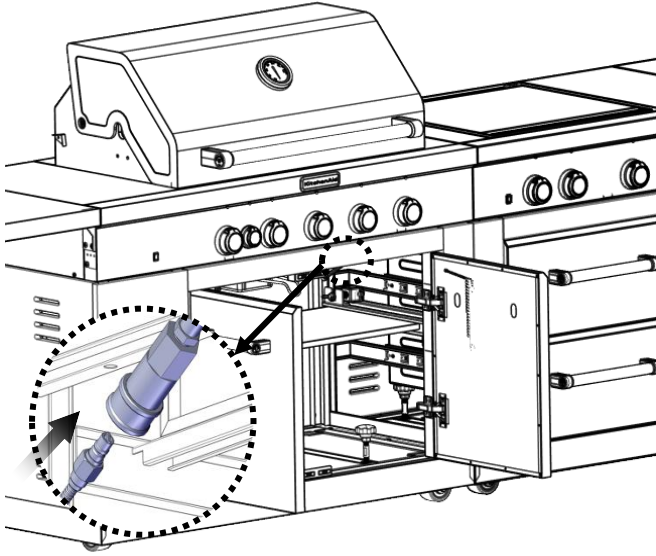


Conexión del suministro de gas

1. Se debe usar una combinación de tubos de unión para conectar el asador a la línea de suministro de gas existente.
 - Deberá usarse una manguera flexible de suministro de gas en PVC de 3,0 m / 10 pies con diseño certificado por CSA.
 - Deberán usarse compuestos para unión de tuberías adecuados para ser usados con gas natural. No use cinta Teflon†.
 - Deberá haber una válvula de cierre manual certificada en la línea de suministro de gas cerca del asador, para un acceso fácil.

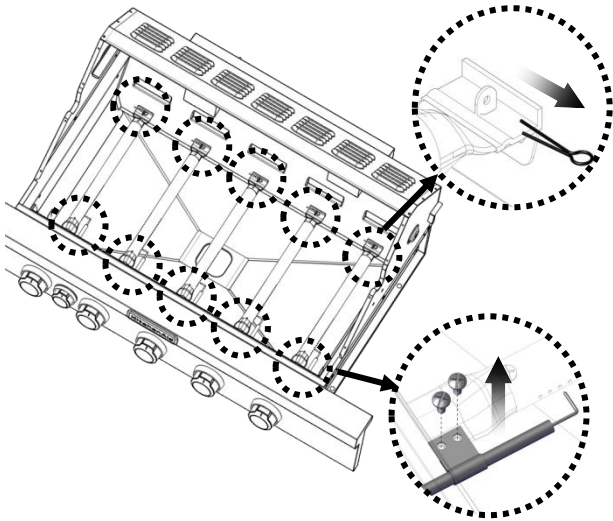
† @TEFLON es una marca registrada de E.I. Du Pont De Nemours and Company.

2. Conecte el conector de bronce sobre un extremo de la manguera flexible de suministro de gas en PVC de 3,0 m / 10 pies al regulador de presión de gas natural.
3. Conecte el conector rápido sobre el otro extremo de la manguera flexible de suministro de gas en PVC de 3,0 m / 10 pies al tubo rígido de suministro de gas natural.

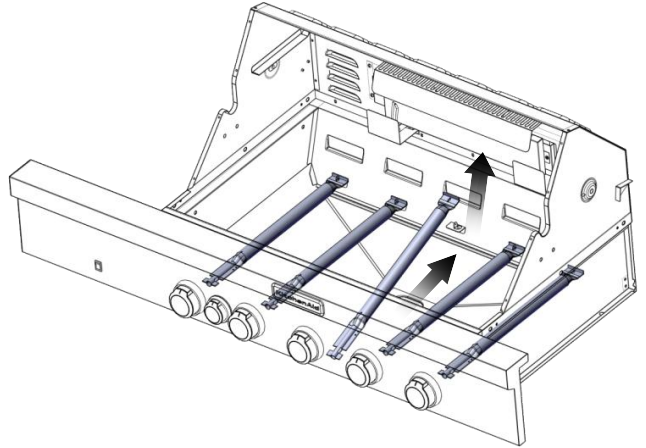


Cambie los orificios de la válvula del quemador del asador

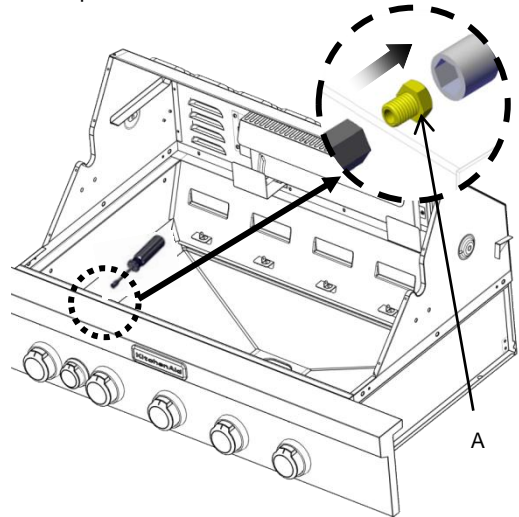
1. Quite las parrillas y los difusores de llama.
2. Retire los 2 tornillos y el pasador de seguridad que sostiene al quemador en el lugar. Deje a un lado el tornillo y el pasador.



3. Desmontar el quemador de la parrilla levantando el quemador a cabo .



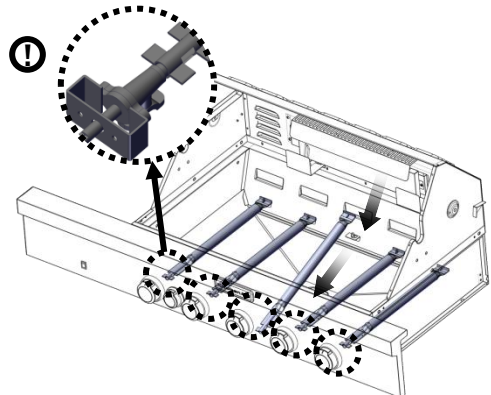
4. Use un casquillo y una llave de cubo de 6 mm o un aprietatuercas de 6 mm para quitar el orificio de bronce del extremo de la válvula de gas. El orificio del quemador principal está ubicado detrás del orificio de gas LP , de manera que no necesita instalar un orificio adicional.



A. Orificio del quemador principal

IMPORTANTE: Compruebe que el orificio de LP se elimina adecuadamente dentro de la válvula.

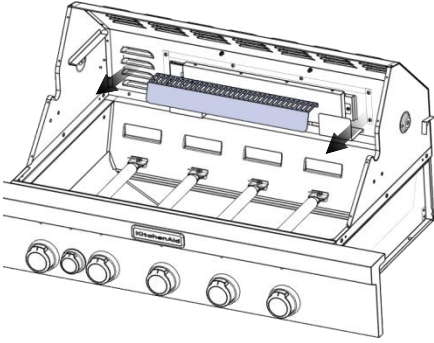
5. Vuelva a insertar el quemador y volver a conectar con el clip de chaveta eliminado previamente . Repetir el procedimiento para cada quemador principal .



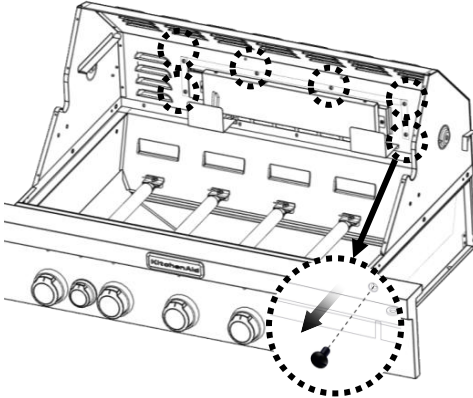
6. Coloque los equipos de encendido por lo que son de 3,2 mm / 1/8 in de cada quemador .

Cambiar el orificio del quemador del rotisserie

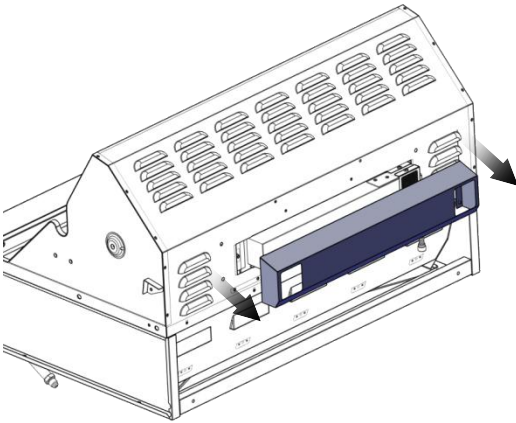
1. Use un destornillador para quitar los dos tornillos del protector de calor del quemador rotisería. Retire el protector de calor.



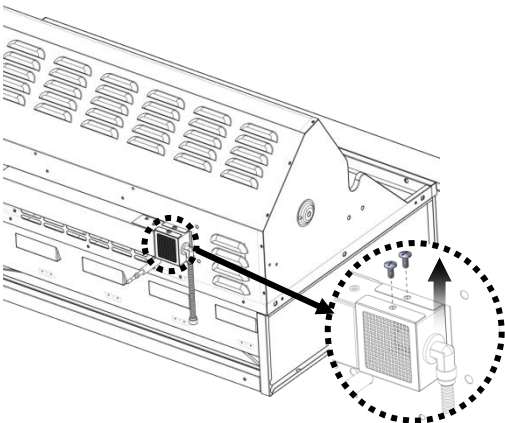
2. Retire los seis tornillos de la tapa trasera del rotisería.



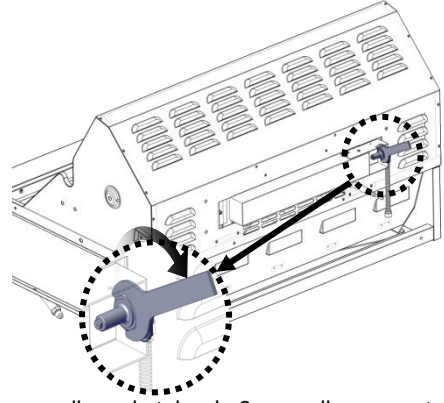
3. Retire la cubierta posterior del quemador rotisería.



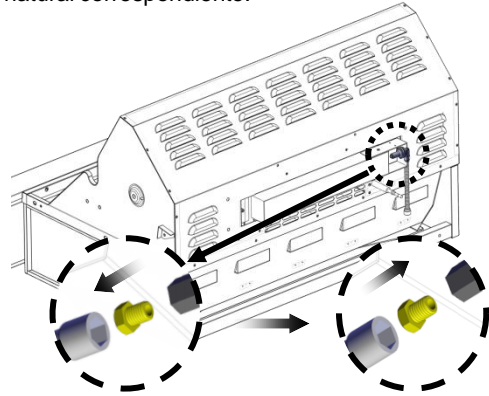
4. Retire los dos tornillos en el soporte de encendido y retire el soporte.



5. Utilice una llave ajustable para remover el codo de latón.

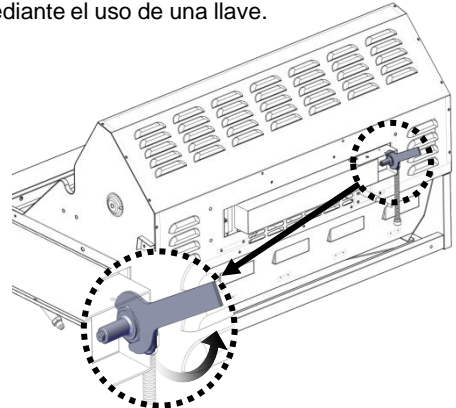


6. Utilice una llave de tubo de 6 mm o llave para tuercas de 6 mm para quitar el orificio. Sustituir por el orificio de gas natural correspondiente.

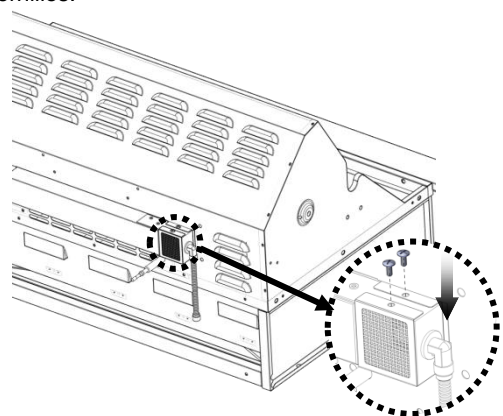


IMPORTANTE: Compruebe que el orificio de gas natural está instalado correctamente dentro de la válvula.

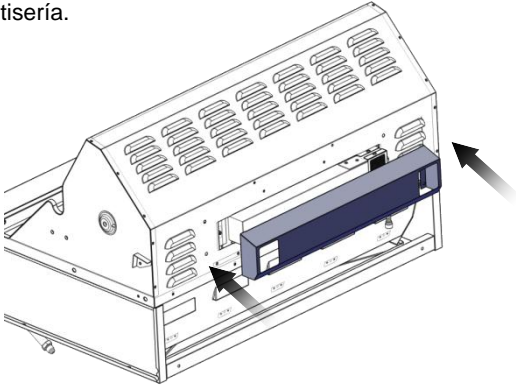
7. Vuelva a instalar el codo de latón del quemador rotisería mediante el uso de una llave.



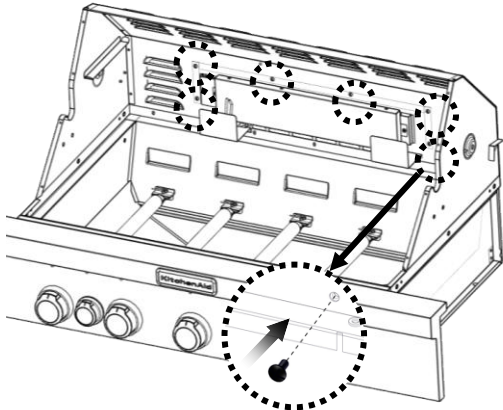
8. Vuelva a instalar el soporte del encendedor y apriete los tornillos.



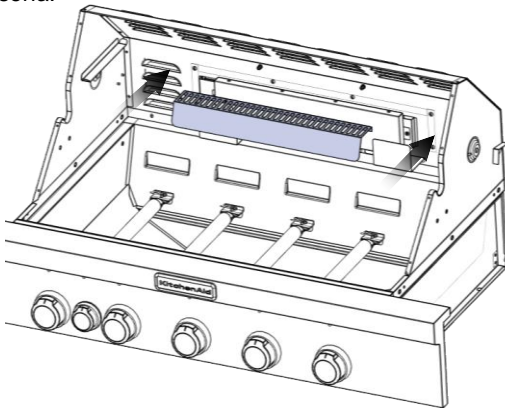
9. Vuelva a instalar la cubierta trasera del quemador rotisería.



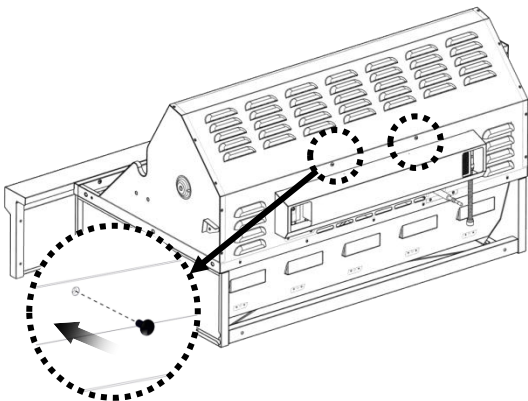
10. Vuelva a colocar los cuatro tornillos en la cubierta trasera del quemador rotisería.



11. Vuelva a instalar el protector de calor del quemador rotisería.

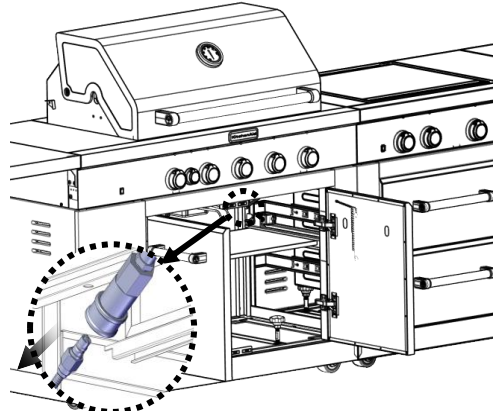


12. Apriete los dos tornillos.

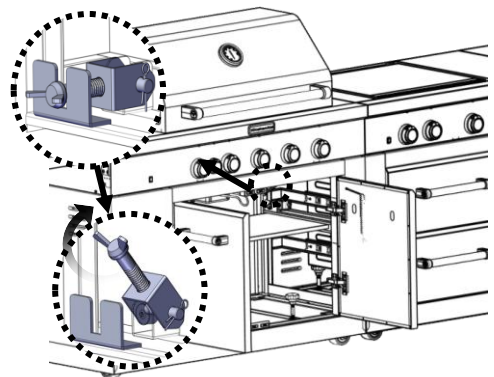


Cambiar el orificio del quemador abrasador

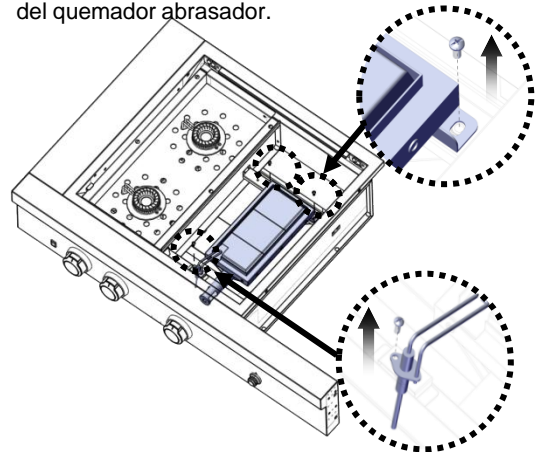
1. Desconecte el conector rápido.



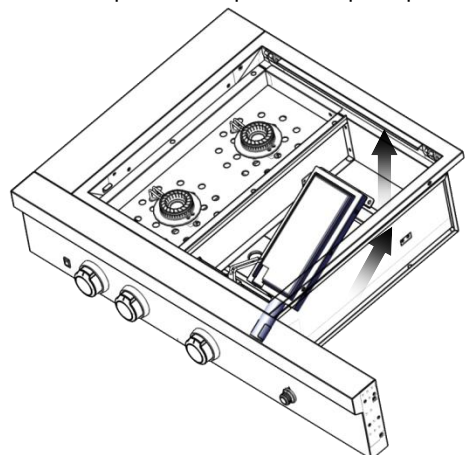
2. Ajuste la barra de bloqueo en la posición de desbloqueo.



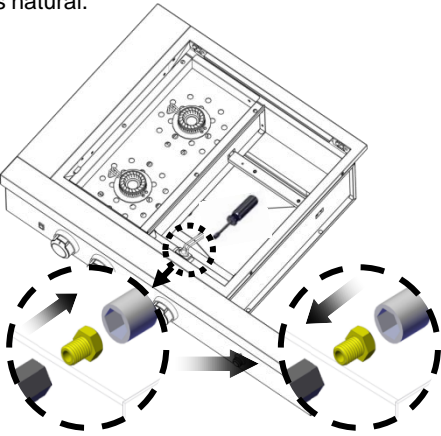
3. Utilice un destornillador para quitar el tornillo de la clavija del encendedor. Retire los dos tornillos de la parte trasera del quemador abrasador.



4. Levante el quemador a partir de la parte posterior.

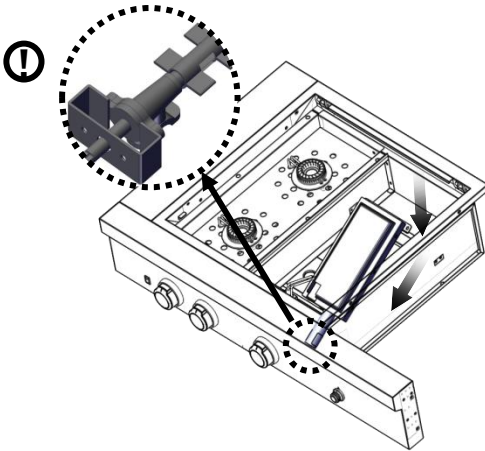


5. Utilice una llave de tubo de 6 mm o llave para tuercas de 6 mm para quitar el orificio. Reemplácelo con el orificio para gas natural.

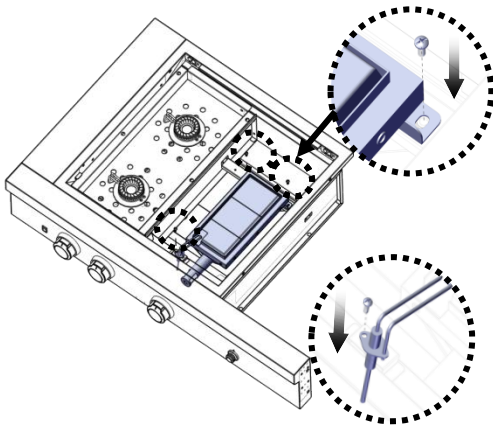


IMPORTANTE: Verifique que el orificio esté debidamente instalado dentro de la válvula.

6. Vuelva a instalar el quemador abrasador. Asegúrese de que el tubo del quemador abrasador se inserta en la válvula de gas, tal como se muestra.

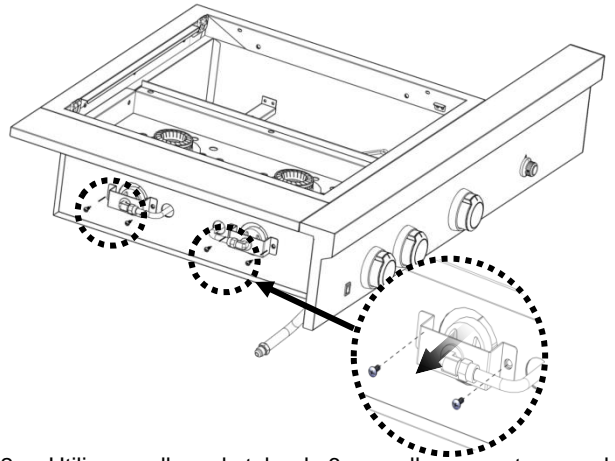


7. Vuelva a colocar los dos tornillos en la parte trasera del quemador abrasador. Use un destornillador para volver a instalar de la clavija del encendedor.

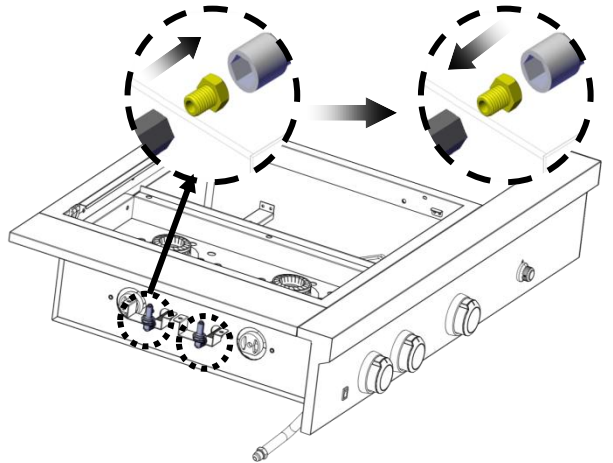


Cambie el orificio del quemador lateral

1. Retire los dos tornillos del soporte y retire el soporte.

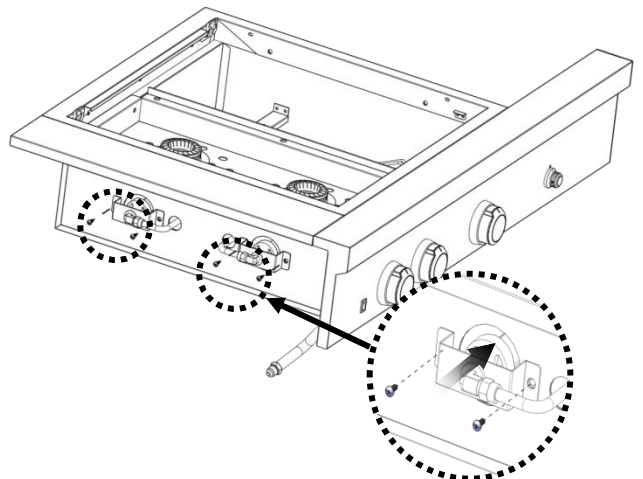


2. Utilice una llave de tubo de 6 mm o llave para tuercas de 6 mm para quitar el orificio. Reemplácelo con el orificio para gas natural.

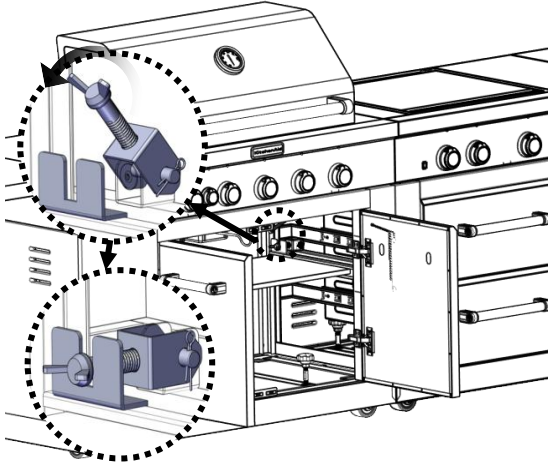


IMPORTANTE: Verifique que el orificio esté debidamente instalado dentro de la válvula.

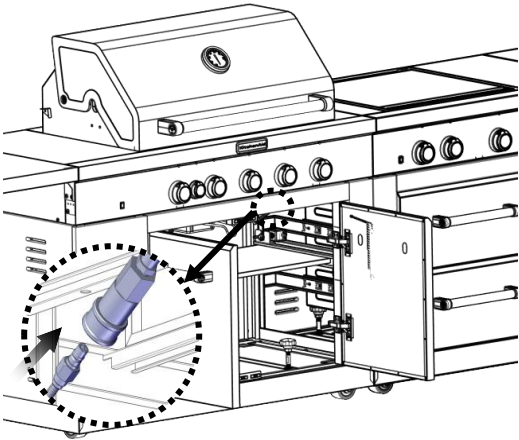
3. Vuelva a instalar los dos tornillos y el soporte.



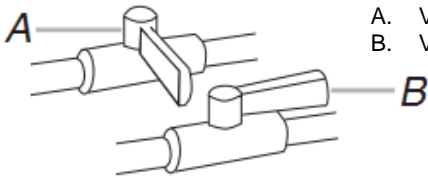
- Set the lock bar in the lock position.



- Vuelva a conectar el conector rápido.



- Abra la válvula de cierre manual de la línea de suministro de gas. La válvula está abierta cuando la manija está paralela tubo de gas.



- A. Válvula cerrada
B. Válvula abierta

- Pruebe todas las conexiones utilizando una fuga no corrosivo aprobado solución de detección . Burbujas si hay fugas . Corrija cualquier fuga encontrado .

Registre la conversión

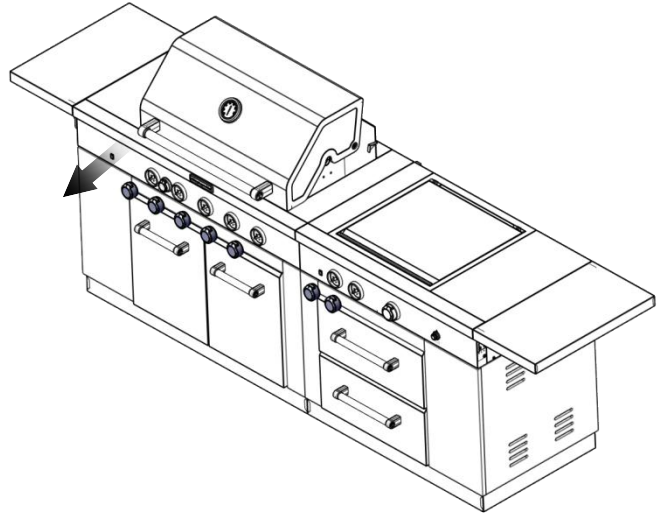
La placa del aparato LP se ubica dentro del gabinete de la parrilla en el lado izquierdo . Una vez convertido , colocar la placa del aparato GN sobre la corriente de placa del aparato LP .

En la última página del Manual de uso y cuidado, escriba "Convertido a gas natural". Escriba también la fecha de la conversión y e técnico/la compañía que la efectuó.

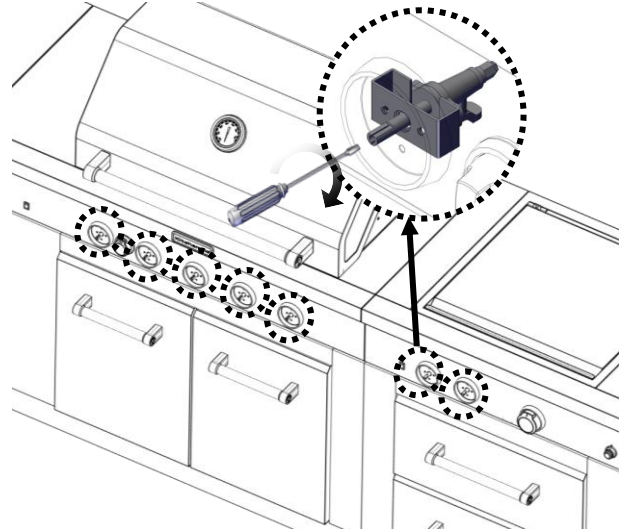
Cómo regular el tornillo de ajuste de llama alta

Cuando haga la conversión de gas LP a gas natural, necesitará regular el tornillo de ajuste de llama alta para obtener la altura ideal de la llama del quemador.

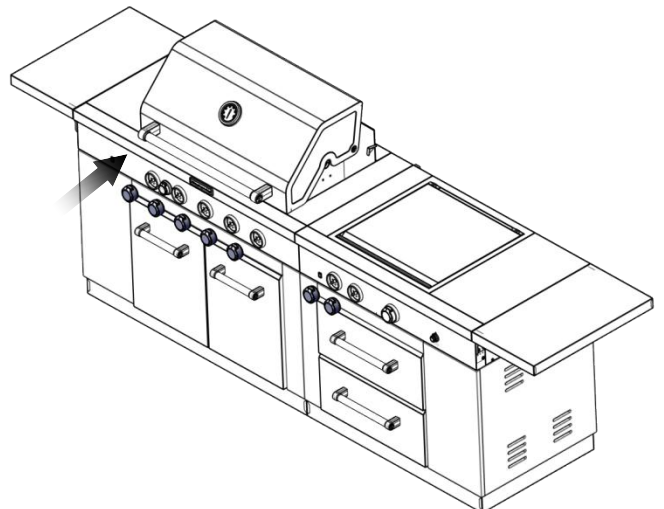
- Jale hacia fuera cada perilla de control para el quemador principal y el quemador lateral.



- Use un destornillador de hoja plana para girar el tornillo opresor de llama alta hacia la izquierda aproximadamente 90° .



- Verifique que el quemador funcione en el nuevo ajuste de llama alta. Tal vez sea necesario regular el ajuste del tornillo un poco más para obtener la altura ideal de la llama del quemador.
- Colocar las perillas de los quemadores de vuelta a sus lugares de origen .



Revise y regule los quemadores

Los quemadores han sido probados y fijados de fábrica para que funcionen de la manera más eficaz. Sin embargo, tal vez sea necesario hacer algunos ajustes menores al obturador de aire o en el ajuste de la llama baja debidos a las variaciones en el suministro de gas y otras condiciones.

Se recomienda que los ajustes del quemador sean hechos por una persona competente.

NOTA: El quemador del rostizador no puede ajustarse.

Para revisar las llamas del quemador del asador y ajustarlas, se necesita quitar las parrillas y los difusores de llama.

Características de la llama del quemador

Las llamas de los quemadores del asador y los quemadores laterales (en algunos modelos) deberán ser de color azul y estables, sin ruido excesivo y sin levantarse (las llamas de gas LP tendrán la punta ligeramente amarilla). Una llama amarilla indica que no hay suficiente aire. Si la llama hace ruido o se separa del quemador, significa que hay demasiado aire. Es aceptable que algunas llamas tengan la punta amarilla cuando el quemador esté en la posición de HIGH (Alto), siempre y cuando no aparezcan depósitos de carbón u hollín. Las llamas deberán tener una altura aproximada de 2.5 cm / 1 in.

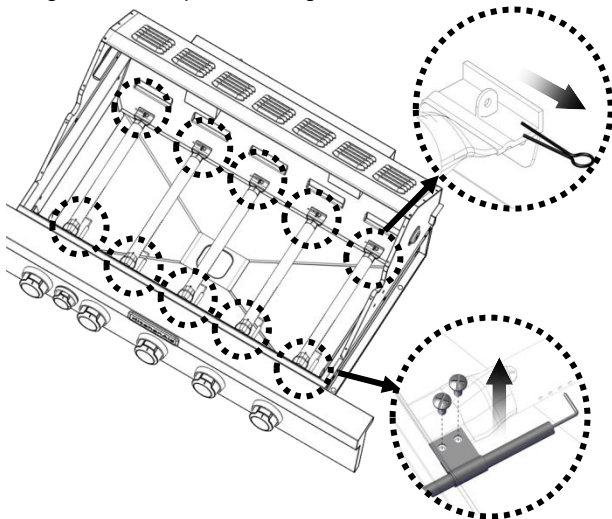


Verifique que los quemadores no estén obstruidos con suciedad, desechos, nidos de insectos, etc., y límpielos si es necesario. Si están limpios, regule los obturadores de aire si es necesario.

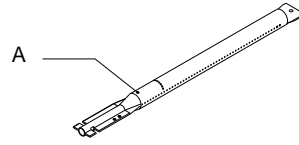
IMPORTANTE: Antes de regular los obturadores de aire, deje que los quemadores se enfríen por completo.

Para regularlos:

1. Encienda el asador siguiendo la información en la sección "Uso del asador para exteriores".
2. Observe la llama para determinar qué quemadores necesitan ajuste y cómo actúa la llama.
3. Apague la válvula y espere hasta que el asador y los quemadores se enfríen por completo.
4. Quite las parrillas y los difusores de llama del asador.
5. Quite el tornillo y la chaveta que sujetan el asador en su lugar. Quite el quemador a gas del asador.



6. Si la llama está amarilla (no hay suficiente aire), gire hacia la izquierda el tornillo de ajuste del obturador de aire. Si la llama hace ruido o se separa del quemador (hay demasiado aire), gire hacia la derecha el tornillo de ajuste del obturador de aire.



A. Tornillo de ajuste del obturador de aire

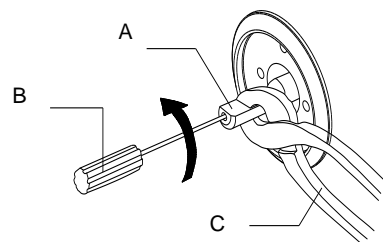
El ajuste deberá hacerse hacia la derecha o hacia la izquierda, de 3,2 mm / 1/8 in a 6,4 mm / 1/4 in.

7. Vuelva a colocar el quemador de gas, los difusores de llama y las parrillas.
8. Encienda el asador siguiendo la información en la sección "Uso del asador para exteriores". Vea "Características de la llama del quemador".

Ajuste de la llama baja

Si la llama se apaga en el ajuste de llama "L" (Bajo), deberá regularse el ajuste de la llama baja.

1. Cierre la válvula y espere hasta que el asador y los quemadores estén fríos.
2. Quite las parrillas y los difusores de llama del asador.
3. Encienda el asador siguiendo la información en la sección "Uso del asador para exteriores".
4. Gire el quemador a su ajuste más bajo.
5. Quite cada perilla de control para el quemador principal aflojando el tornillo opresor con la llave hexagonal en L. Jale hacia fuera cada perilla de control para el quemador principal y el quemador lateral.
6. Sostenga el vástago de la válvula con pinzas e inserte un destornillador pequeño de hoja plana dentro del eje.
7. Mire la llama y gire el destornillador lentamente hacia la izquierda.
8. Regule la llama hasta obtener una llama estable mínima.



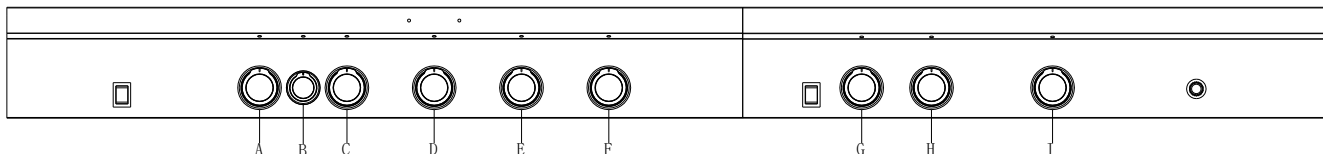
A. Vástago de la válvula
B. Destornillador pequeño de hoja plana
C. Pinzas

9. Vuelva a colocar la perilla de control y apague el quemador.
10. Repita los pasos 3 al 9 para cada quemador, si es necesario.
11. Vuelva a colocar los difusores de llama y las parrillas después de que se hayan enfriado los quemadores.

USO DEL ASADOR PARA EXTERIORES

Este manual cubre varios modelos diferentes. La parrilla que ha comprado puede tener algunas o todas las características en la lista. Las ubicaciones y apariencias de las características aquí mostradas pueden no coincidir con las de su modelo.

Panel de control



A. Perilla de control del quemador principal izquierdo

C. Centro izquierda de la perilla de control principal

E. centro derecha la perilla de control principal

G. Parte frontal perilla de control del quemador lateral

I. perilla de control del quemador secador

B. perilla de control del quemador del asador

D. Centrar la perilla de control del quemador principal

F. perilla de control del quemador principal derecha

H. perilla de control del quemador lateral trasera

Cómo usar el asador para exteriores

⚠ ADVERTENCIA



Peligro de Explosión

No almacene un tanque de combustible en un garaje o bajo techo.

No almacene el asador con el tanque de combustible en un garaje o bajo techo.

No seguir estas instrucciones puede ocasionar la muerte, explosión o incendio.

⚠ ADVERTENCIA



Peligro de Incendio

No use el asador cerca de materiales combustibles.

No almacene materiales combustibles cerca del asador.

No seguir estas instrucciones puede ocasionar la muerte o incendio.

⚠ ADVERTENCIA

Peligro de Intoxicación Alimentaria

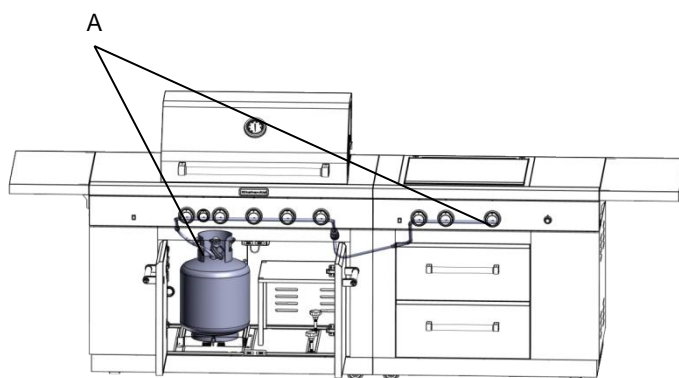
No deje sus alimentos por más de una hora antes o después de su cocción.

No seguir esta instrucción puede ocasionar intoxicación alimentaria o enfermedad.

Inspeccione la manguera de suministro del tanque de gas LP

Inspeccione el ensamblaje de regulador de presión/manguera de gas antes de cada uso.

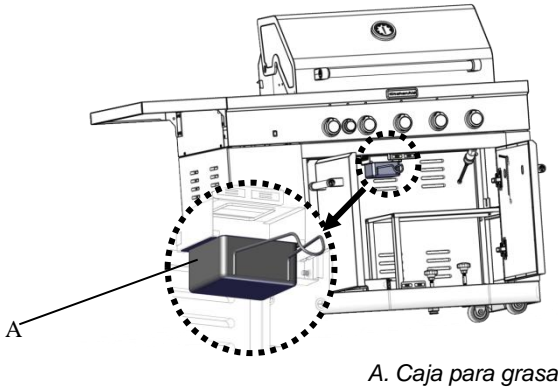
1. Abra la puerta del lado izquierdo de la carcasa.
2. Inspeccione el ensamblaje de regulador de presión/manguera de gas para ver si tiene cortes, raspaduras o desgaste excesivo.
3. Si es necesario, reemplace el ensamblaje de regulador de presión/manguera de gas antes de usar el asador. Contáctese con el distribuidor y use solamente las mangueras de repuesto especificadas para ser usadas con el asador.



A. Ensamblaje de regulador de presión/manguera de gas

Prepare el asador para encenderlo

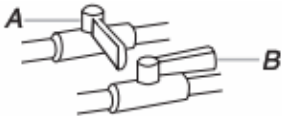
1. Abra la capota por completo. No encienda los quemadores con la capota cerrada.
2. Cerciórese de que las perillas de control estén en “O” (Apagado).
3. La bandeja de goteo deberá estar en su lugar y empujarse por completo hacia atrás.



A. Caja para grasa

Abra el suministro de gas

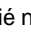
1. Para un tanque de gas LP de 20 lb: Abra lentamente la válvula del tanque.
NOTA: Si se activa el dispositivo de reducción de flujo, tal vez no se encienda el asador. Si el asador se enciende, las llamas estarán bajas y no calentarán de modo apropiado. Cierre la válvula del tanque, apague todas las perillas de control y espere 30 segundos. Después de apagar el tanque, abra la válvula del mismo lentamente y espere 5 segundos antes de encender el asador.
2. Para los asadores de exteriores que usan una fuente de suministro de gas diferente del tanque de gas LP de 20 lb: Abra la válvula de cierre manual de la línea de suministro de gas. La válvula está abierta cuando la manija está paralela al tubo de gas.

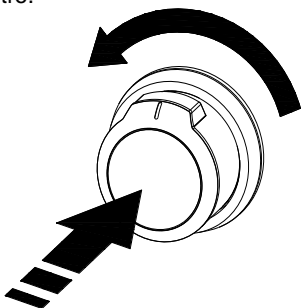


A. Válvula cerrada
B. Válvula abierta

Cómo encender el asador

IMPORTANTE: Si el quemador no se enciende de inmediato, gire la perilla del quemador hacia “O” (Apagado) y espere 5 minutos antes de volver a encenderlo.

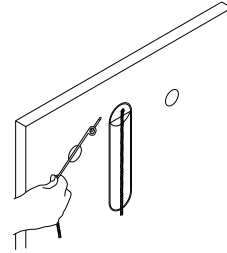
1. Abra la capota por completo. No encienda los quemadores con la capota cerrada.
2. No se apoye sobre el asador.
3. Seleccione el quemador que desea encender. Empuje hacia dentro la perilla de control del quemador del asador hacia “” (Encender), mientras continúa sosteniéndola hacia dentro.



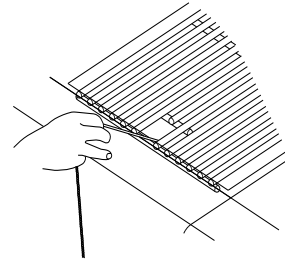
4. Escuchará el chasquido de la llama. Cuando el quemador se encienda, suelte la perilla. Gire la perilla hacia el ajuste deseado.
5. Repita el procedimiento para cada uno de los otros quemadores, si es necesario.


Encendido manual del quemador

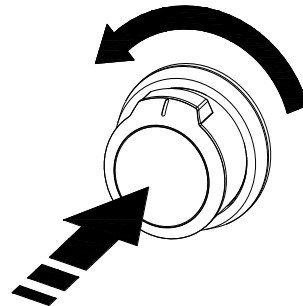
1. Abra la capota por completo. No encienda los quemadores con la capota cerrada.
2. No se apoye sobre el asador.
3. Quite la extensión de encendido manual (vea la ilustración a continuación) y sujete un cerillo al anillo partido.



4. Encienda el cerillo.
5. Guíe el cerillo encendido por debajo de la parrilla del asador.



6. Empuje la perilla del quemador hacia dentro y gírela hacia “” (Encender) para el quemador que esté más cerca del cerillo encendido. El quemador se encenderá inmediatamente. Cuando el quemador esté encendido, gire la perilla hacia el ajuste deseado.



7. Repita los pasos 2 al 6 para cada quemador principal.
8. Quite el cerillo y vuelva a colocar la extensión de encendido manual sobre el panel del lado derecho.

IMPORTANTE:

Si el quemador no se enciende de inmediato, gire la perilla del quemador hacia “O” (Apagado) y espere 5 minutos antes de volver a encenderlo. Si ninguno de los quemadores se enciende después de intentar encenderlos manualmente, póngase en contacto con el Centro de servicio al cliente. Vea la sección “Asistencia”.

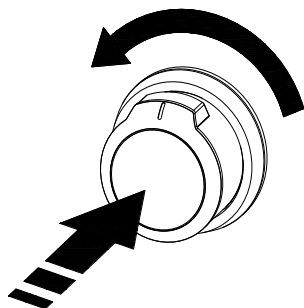
Uso del quemador del rostizador

Puede comprarse un juego de rostizador como accesorio para el asador. Vea "Accesorios" en la sección "Ayuda". Para evitar daños a la parrilla de calentamiento, quítela del asador cuando use el quemador del rostizador.

No use los quemadores principales cuando este en uso el quemador del rostizador.

Cómo encender el quemador del rostizador

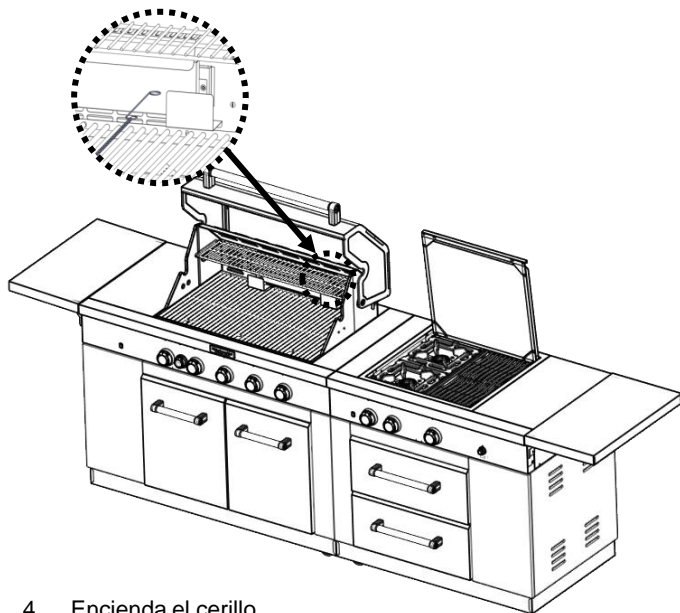
1. Quite la cubierta del quemador principal para dorado rápido. No encienda los quemadores con la cubierta puesta.
2. No se apoye sobre el asador.
3. Empuje hacia dentro la perilla de control del quemador del asador hacia "●" (Encender), mientras continúa sosteniéndola hacia dentro.



IMPORTANTE: Si el quemador no se enciende de inmediato, gire a perilla del quemador hacia "O" (Apagado) y espere 5 minutos antes de volver a encenderlo.

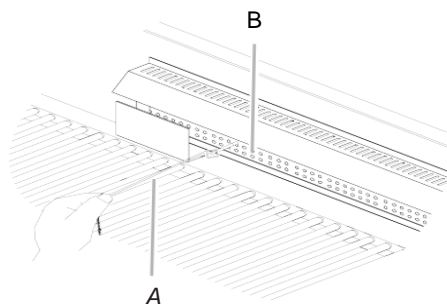
Cómo encender manualmente el quemador del rostizador

1. Levante completamente la cubierta. No encienda los quemadores con la cubierta cerrada.
2. No se apoye sobre el asador.
3. Quite la extensión de encendido manual (vea la ilustración a continuación) y sujete un cerillo al anillo partido.



4. Encienda el cerillo.

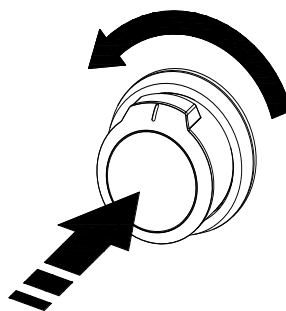
5. Sostenga cuidadosamente el cerillo encendido cerca del quemador del rostizador.



A. Extensión de encendido

B. Quemador del rostizador

6. Empuje hacia dentro y gire la perilla del quemador hacia "●" (Encender) para el quemador que esté más cerca del cerillo encendido. El quemador se encenderá inmediatamente. Cuando el quemador esté encendido, gire la perilla hacia el ajuste deseado.



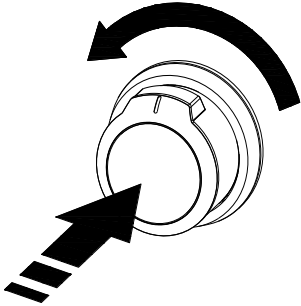
IMPORTANTE: Si el quemador no se enciende de inmediato, gire a perilla del quemador hacia "O" (Apagado) y espere 5 minutos antes de volver a encenderlo.

7. Quite el cerillo y vuelva a colocar la extensión de encendido manual dentro de la puerta del armario.

Uso del quemador secador

Encendido del quemador secador

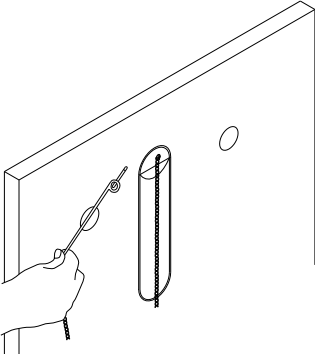
1. Quite la cubierta del quemador secador para dorado rápido. No encienda los quemadores con la cubierta puesta.
2. No se apoye sobre el asador.
3. Empuje hacia dentro la perilla de control del quemador del asador hacia "●" (Encender), mientras continúa sosteniéndola hacia dentro.



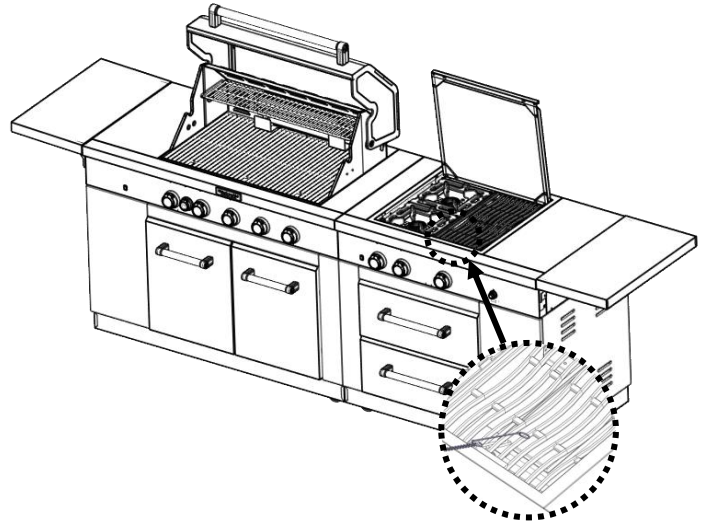
IMPORTANTE: Si el quemador no se enciende de inmediato, gire a perilla del quemador hacia "O" (Apagado) y espere 5 minutos antes de volver a encenderlo.

Encendido manual del quemador secador

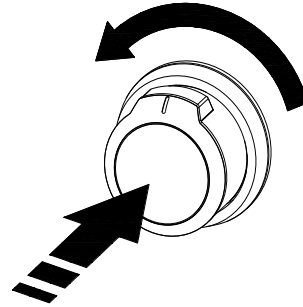
1. Levante completamente la cubierta. No encienda los quemadores con la cubierta cerrada.
2. No se apoye sobre el asador.
3. Quite la extensión de encendido manual (vea la ilustración a continuación) y sujete un cerillo al anillo partido.



4. Encienda el cerillo.
5. Sostenga el cerillo encendido cerca del quemador secador para dorado rápido.



5. Empuje hacia dentro y gire la perilla del quemador hacia "●" (Encender) para el quemador que esté más cerca del cerillo encendido. El quemador se encenderá inmediatamente. Cuando el quemador esté encendido, gire la perilla hacia el ajuste deseado.




6. Repita los pasos 3 al 6 para cada quemador.
7. Quite el cerillo y vuelva a colocar la extensión de encendido manual sobre el panel del lado derecho.

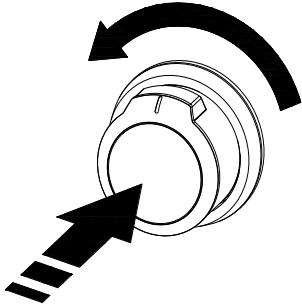
IMPORTANTE:

Si el quemador no se enciende de quemador hacia "O" (Apagado) y espere 5 minutos antes de inmediato, gire la perilla del volver a encenderlo. Si ninguno de los quemadores se enciende después de intentar encenderlos manualmente, póngase en contacto con el Centro de servicio al cliente. Vea a sección "Asistencia".

Uso del quemador lateral

Encendido del quemador lateral

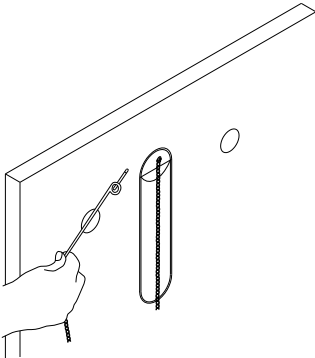
1. Quite la cubierta del quemador lateral para dorado rápido. No encienda los quemadores con la cubierta puesta.
2. No se apoye sobre el asador.
3. Empuje hacia dentro la perilla de control del quemador del asador hacia “” (Encender), mientras continúa sosteniéndola hacia dentro.



IMPORTANTE: Si el quemador no se enciende de inmediato, gire a perilla del quemador hacia “O” (Apagado) y espere 5 minutos antes de volver a encenderlo.

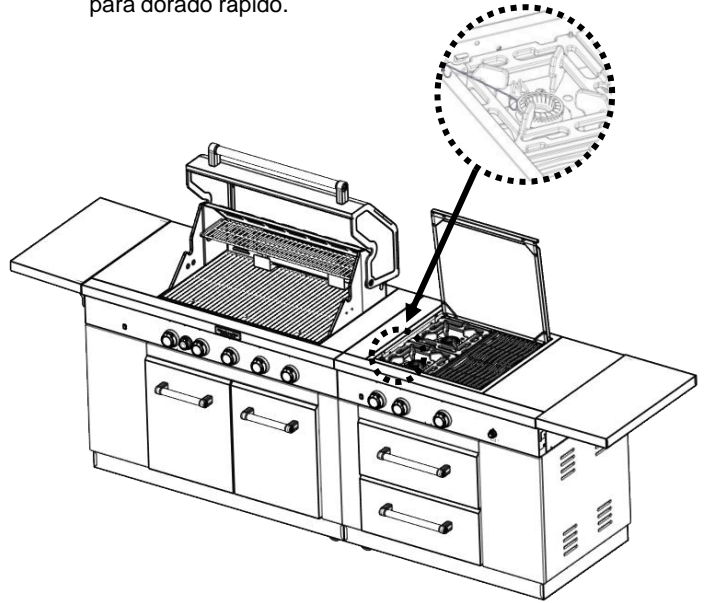
Encendido manual del quemador lateral


1. Levante completamente la cubierta. No encienda los quemadores con la cubierta cerrada.
2. No se apoye sobre el asador.
3. Quite la extensión de encendido manual (vea la ilustración a continuación) y sujete un cerillo al anillo partido.

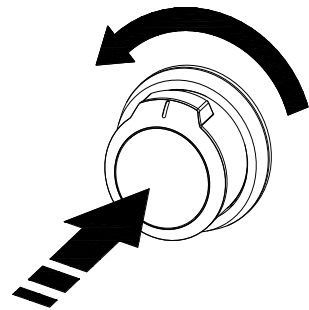


4. Encienda el cerillo.

5. Sostenga el cerillo encendido cerca del quemador lateral para dorado rápido.



6. Empuje hacia dentro y gire la perilla del quemador hacia “” (Encender) para el quemador que esté más cerca del cerillo encendido. El quemador se encenderá inmediatamente. Cuando el quemador esté encendido, gire la perilla hacia el ajuste deseado.



7. Repita los pasos 3 al 6 para cada quemador.
8. Quite el cerillo y vuelva a colocar la extensión de encendido manual sobre el panel del lado derecho.

IMPORTANTE:

Si el quemador no se enciende de quemador hacia “O” (Apagado) y espere 5 minutos antes de inmediato, gire la perilla del volver a encenderlo. Si ninguno de los quemadores se enciende después de intentar encenderlos manualmente, póngase en contacto con el Centro de servicio al cliente. Vea a sección “Asistencia”.

CONSEJOS PARA ASAR AL AIRE LIBRE

⚠️ ADVERTENCIA

Peligro de Intoxicación Alimentaria

No deje sus alimentos por más de una hora antes o después de su cocción.

No seguir esta instrucción puede ocasionar intoxicación alimentaria o enfermedad.

Antes de asar

- Descongele los alimentos antes de asarlos.
- Precaliente el asador a temperatura alta (use todos los quemadores del asador) durante 10 minutos. La capota debe estar cerrada durante el precalentamiento. No es necesario usar el quemador posterior del rostizador para el precalentamiento. El precalentamiento provee la temperatura elevada necesaria para dorar y mantener el jugo.
- Acorte el tiempo de precalentamiento cuando esté asando cortes de carne o aves con alto contenido de grasa, tales como muslos de pollo. Esto ayudará a evitar llamaradas.
- Engrase ligeramente las parrillas del asador o el alimento cuando cocine cortes de carne, pescado o aves con bajo contenido en grasa, tales como hamburguesas de carne magra, camarones o pechugas de pollo sin piel.
- Usar demasiado aceite puede hacer que la ceniza se deposite en el alimento.
- Corte el exceso de grasa de la carne antes de cocerla, para reducir las llamaradas.
- Haga cortes verticales con espacios de 5 cm / 2 in alrededor del borde con grasa de la carne, para evitar que se ondule.
- Agregue el condimento o la sal solamente después de haber terminado la cocción.

Durante el asado

- Voltee los alimentos solamente una vez. Los jugos se pierden cuando se da vuelta a la carne varias veces.
- Voltee la carne solamente cuando empiece a aparecer el jugo en la superficie.
- Evite pinchar o cortar la carne para ver el punto de cocción. Esto hace que se escape el jugo.
- Tal vez sea necesario bajar el ajuste de calor para los alimentos que se cocinan durante un largo tiempo o se han adobado o rociado con una salsa azucarada.
- Si está usando una llama alta, agregue salsa para asado solamente durante los últimos 10 minutos de la cocción, para evitar quemar la salsa.
- El punto de cocción se verá afectado por el tipo de carne, corte (tamaño, forma y espesor), ajuste de calor seleccionado y su duración en el asador.
- El tiempo de cocción será más largo si la cubierta del asador está abierta.

Métodos de cocción

Calor directo

La cocción con calor directo significa que el alimento se coloca sobre las parrillas del asador directamente encima de los quemadores encendidos. La capota puede estar abierta o cerrada. Si la capota está abierta, los tiempos para la cocción total pueden prolongarse.

El calor directo dora rápidamente los alimentos. El dorado rápido es un proceso mediante el cual el jugo natural queda dentro del alimento, que se cocina a un calor intenso durante un período corto de tiempo. Mientras el jugo permanece adentro, el exterior se va dorando con una sabrosa capa asada.

Calor indirecto

Para obtener mejores resultados, no seleccione el método de cocción con calor indirecto cuando esté ventoso.

La cocción por calor indirecto significa que el alimento se coloca sobre la parrilla del asador, sobre un quemador sin calentar, permitiendo que el calor del (de los) quemador(es) encendido(s) en cualquiera de los lados cocine el alimento.

Encienda 2 quemadores. Cocine con la capota hacia abajo. Esto acortará el tiempo de cocción.

Consejos para la cocción con el rostizador

⚠️ ADVERTENCIA

Peligro de Intoxicación Alimentaria

No deje sus alimentos por más de una hora antes o después de su cocción.

No seguir esta instrucción puede ocasionar intoxicación alimentaria o enfermedad.

Durante la cocción con el rostizador, éste hace girar el alimento frente al quemador, creando un calor intenso para asar el exterior y dejar en el interior el jugo natural.

El quemador del rostizador alcanza la temperatura de cocción en 1 minuto aproximadamente. No es necesario precalentarlo cuando use el rostizador.

- Seleccione carne y aves tiernas.
- Deje un espacio de por lo menos 2,5 cm / 1 in entre el quemador del rostizador y el alimento.
- Para facilitar la limpieza, coloque una olla debajo del alimento para atrapar los goteos.
- Agregue salsa o glaseado para asado solamente durante los últimos 10 minutos de la cocción para evitar que la salsa se quemé.

Cómo atar el ave para el rostizador

1. Cargue el espetón deslizándolo uno de los tenedores de la varilla con las puntas mirando hacia dentro. Apriete el tornillo para evitar que se resbale.
2. Empuje la varilla a través del centro del ave.
3. Corte hilo de carnicero de un largo de 61 cm / 24 in y céntralo bajo el ave, con la pechuga hacia arriba.
4. Envuelva cada extremo del hilo alrededor de las alas; agarre cada punta de las mismas. Una el hilo apretado en la parte superior de la pechuga y átelo. No es necesario cortar el hilo que haya quedado de más.
5. Corte otro trozo de hilo de 50,8 cm / 20 in y colóquelo debajo de la parte posterior del ave. Envuélvalo alrededor de la cola y después alrededor del espetón, cinchando apretadamente.
6. Cruce las patas sobre el espetón; ate el hilo alrededor de las patas cruzadas.
7. Conecte el hilo que sostiene las patas al hilo que sostiene las alas y haga un nudo. Corte los trozos de hilo que cuelguen.
8. Deslícelo en el segundo tenedor, empujando los dientes en los muslos.
9. Centre el alimento y los tenedores sobre la varilla y apriete los tornillos de mariposa. El ave deberá estar firme en su lugar, sobre el espetón del rostizador.

TABLA PARA ROSTIZAR

Use un termómetro portátil de carne para verificar el punto interno de cocción de los alimentos. Apague el quemador del rostizador cuando el termómetro lea 3° C / 5° F más bajo que la temperatura interna deseada. Continúe girándolo, con la capota cerrada, durante 10 minutos antes de trinchar. El tiempo de cocción se verá afectado por las condiciones del tiempo, tales como el viento y la temperatura exterior.

Alimento	Peso	Punto de cocción interno o temperatura (° C / ° F)	Tiempo de asado aproximado (min/lb)
Carne de res			
Asados	1.5-	Medio crudo	15-20
Ojo de bife	2.2 kg	(83° C / 145° F)	
Punta de solomillo	/ 4-6 lbs	Medio	20-25
Costilla, sin hueso		(71° C / 160° F)	
Aves			
Pollo	1.1-	Pechuga	20-25
	2.2 kg / 3-6 lbs	(77° C / 170° F) Muslo	20-25
Pavo, entero	2.8-	Pechuga	11-20
	3.7 kg / 7-10 lbs	(77° C / 170° F) Muslo	11-20
		(82° C / 160° F)	
Cordero			
Pata sin hueso	1.5-2.6 kg / 4-7 lbs	Medio	20-25
		(71° C / 160° F)	
Cerdo			
Asado de lomo sin hueso	1.5-2.2 kg / 4-6 lbs	Medio	20-23
		(71° C / 160° F)	

Cuadro para asar

- Las perillas tienen ajustes High (Alto), Medium (Medio) y Low (Bajo) para ajustar la llama.
- Los ajustes de calor indicados son aproximados.
- Los tiempos de asado se verán afectados por las condiciones del tiempo.
- Cuando aparecen 2 temperaturas, por ejemplo: Medio a Medio baja, comience con la primera y regúlela según el progreso de la cocción.
- Los tiempos de cocción pueden ser diferentes de los tiempos de las tablas, según el tipo de combustible y si es gas natural o LP.

ALIMENTO	MÉTODO DE COCCIÓN/AJUSTE DEL QUEMADOR	TEMPERATURA INTERNA	DURACIÓN (total de minutos)	INSTRUCCIONES ESPECIALES
Carne de res				
Hamburguesas de un espesor de 1,3 cm / ½ in a 1,9 cm / ¾ in	DIRECTO Medium (Medio)	Medio (71° C / 160° F)	10-15	Ase, dando vuelta una vez.
Asados de chuleta, lomo	INDIRECTO Medium/OFF/Medium (Medio/Apagado/Medio)	Medio crudo (63° C / 145° F) a Medio (71° C / 160° F)		Cubra con papel de aluminio durante los primeros 45 a 60 minutos del tiempo de cocción.
Bistecs de 2,5 cm / 1 in del costillar, chuleta, chuleta con hueso, cabeza de lomo, lomo	DIRECTO Medium (Medio)	Medio crudo (63° C / 145° F) a Medio (71° C / 160° F)	11-16	Gire los bistecs ¼ de giro para que queden marcas entrecruzadas en el asado.
Bistecs de 3,8 cm / 1½ in del costillar, chuleta, chuleta con hueso, cabeza de lomo, lomo	DIRECTO Medium (Medio)	Medio crudo (63° C / 145° F) a Medio (71° C / 160° F)	18-25	
Cuarto trasero o paleta/ Cuarto delantero (Bistec asado) de 3,8 cm / 1½ in de espesor	DIRECTO Medium (Medio)	Medio crudo (63° C / 145° F) a Medio (71° C / 160° F)	22-29	
Falda, espesor de 1,3 cm / ½ in	DIRECTO Medium (Medio)	Medio crudo (63° C / 145° F)	11-16	
Cerdo				
Chuletas, 2,5 cm / 1 in y 3,8 cm / 1½ in de espesor	DIRECTO Medium (Medio) a Med-Low (Medio bajo)	Medio (71° C / 160° F)	12-20 30-40	
Costillas de 0,9 a 1,5 kg / 2½ a 4 lb	INDIRECTO Medium/OFF/Medium (Medio/Apagado/Medio)	Medio (71° C / 160° F)	40-60	Ase, dando vuelta ocasionalmente. Pásele un cepillo durante los últimos minutos con salsa para asado, si lo desea. Cuando esté hecho, envuélvalo en papel de aluminio.
Asado, lomo sin hueso, 0,37 kg / 1 lb	DIRECTO Medium (Medio)	Medio (71° C / 160° F)	18-22	Voltee durante la cocción para dorar todos los lados.
Jamón, mitad, 3 a 3,7 kg / 8 a 10 lb	INDIRECTO Medium/OFF/Medium (Medio/Apagado/Medio)	Recalentar (60° C / 140° F)	2-2½ horas	Envuelva todo el jamón en papel de aluminio y colóquelo sobre el asador sin un sartén ni recipiente para goteos.
Bistec de jamón precocido, 1,3 cm / ½ in de espesor	DIRECTO Medium (Precalentar en Medio) Grill Medium (Asar en Medio)	Recalentar (63° C / 145° F)	7-10	
Perros calientes	DIRECTO Medium (Medio)	Recalentar (63° C / 145° F)	5-10	Corte la piel si lo desea.
Pollo				
Pechuga sin hueso	DIRECTO Medium (Medio)	77° C / 170° F	15-22	Para una cocción uniforme, machaque la pechuga hasta que quede con un espesor de 2.0 cm / ¾ in .
En trozos, de 0,75 a 1,1 kg / 2 a 3 lb	DIRECTO Med-Low (Medio bajo) a Medium (Medio)	Pechuga 77° C / 170° F Muslo 82° C / 180° F	18-25	Comience con el lado del hueso hacia abajo.

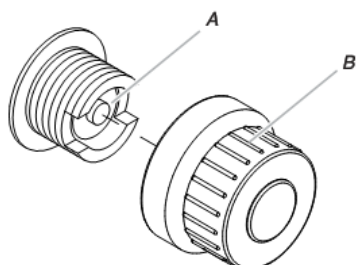
ALIMENTO	MÉTODO DE COCCIÓN/AJUSTE DEL QUEMADOR	TEMPERATURA INTERNA	DURACIÓN (total de minutos)	DURACIÓN (total de minutos)
Cordero				
Chuletas y bistecs, lomo, costillas, lomo del cuarto trasero 2,5 cm / 1 in de espesor	DIRECTO Medium (Medio)	Medio crudo (63° C / 145° F) a Medio (71° C / 160° F)	10-20	
3,8 cm / 1½ in de espesor	DIRECTO Medium (Medio)	Medio crudo (63° C / 145° F) a Medio (71° C / 160° F)	16-20	
Pescado y mariscos				
Filetes, bistecs, trozos Halibut, salmón, pez espada, 0,25 kg / 8 oz	DIRECTO Medium (Medio)		4 a 6 por 1.3 cm / 1/2 in de espesor de pescado	Ase, dando vuelta una vez. Pásele aceite con un pincel al asador, para evitar que se pegue el pescado. Quítelo cuando el interior esté opaco y escamoso, con la piel fácil de quitar.
Entero, bagre, trucha arco iris, 0,25 a 0,34 kg / 8 a 11 oz	DIRECTO High (Alto)		5 a 7 por cada lado	
Marisco, ostiones, camarones	DIRECTO Medium (Medio)		4-8	
Pavo				
Pechuga entera (con hueso)	INDIRECTO HI/OFF/HI (Alto/ Apagado/Alto)	77° C / 170° F	7-8 per kg / 14-18 per lb	Cubra con papel de aluminio hasta los últimos 30 minutos del tiempo de cocción
Media pechuga (con hueso)	INDIRECTO Medium/OFF/Medium (Medio/Apagado/ Medio)	77° C / 170° F	11-13 per kg / 25-30 per lb	Comience con el lado de la piel hacia abajo.
Entero, 2,6 a 5,4 kg / 7 a 12 lb	INDIRECTO HI/OFF/HI (Alto/Apagado/Alto)	Pechuga 77° C / 170° F Muslo 82° C / 180° F	5-7 per kg / 11-16 per lb	Menos de 5.0kg / 11 lbs
Verduras frescas				
Mazorcas de maíz	DIRECTO Medium (Medio)		20-25	Ponga a remojar en agua fría durante 20 minutos. No le quite la cáscara. Sacuda el exceso de agua.
Berenjena	DIRECTO Medium (Medio)		7-10	Lave y corte en rodajas de 1.3 cm / 1/2 in o a lo largo. Pásele aceite de oliva con un pincel.
Cebolla de 1,3 cm / ½ in de espesor	DIRECTO Medium (Medio)		8-20	Ase, dando vuelta una vez. Pásele aceite de oliva con un pincel. Atraviese con un pincho varias rodajas para sostenerlas juntas.
Papas, camote, entero/a	DIRECTO Medium (Medio)		40-70	Envuelva en forma individual en papel de aluminio resistente. Ase, girando ocasionalmente.
Papa de hornear entera	DIRECTO High (Alto)		45-90	
Pimientos, asados	DIRECTO High (Alto)		15-22	Lávelos y colóquelos enteros sobre el asador. Carbonice toda la cáscara de alrededor. Enfríelo en una bolsa de papel o en un envoltorio de plástico para aflojar la piel ennegrecida. Pélelo y quítele las semillas.
Calabazas, calabacines, calabacitas	DIRECTO Medium (Medio)		7-10	Lave y corte en rodajas de 1.3 cm / 1/2 in o a lo largo. Pásele aceite de oliva con un pincel.
Ajo asado	DIRECTO Medium (Medio)		20-25	Corte la parte superior, rocíelo con aceite de oliva y envuélvalo en una capa doble de papel de aluminio.

CUIDADO DEL ASADOR PARA EXTERIORES

Cómo reemplazar la batería del encendedor

Si los encendedores dejan de producir chispas, deberá reemplazarse la batería.

1. La tapa del botón del encendedor está ubicada en la parte exterior del panel lateral derecho del asador
2. Desatornille la tapa del botón del encendedor hacia la izquierda para quitarla.



A. Batería de tamaño "AA"
B. Tapa del encendedor

3. Quite la batería de su compartimiento.
4. Reemplácela con una nueva batería alcalina de tamaño "AA". Instale la batería comenzando con el extremo negativo.
5. Atornille la tapa del botón del encendedor hacia la derecha para colocarla en su lugar.

Limpieza general

IMPORTANTE: Antes de la limpieza, asegúrese de que todos los controles estén apagados y que el asador esté frío.

Siempre siga las instrucciones que vienen en las etiquetas de los productos de limpieza.

Para una limpieza de rutina, lávelo con agua y jabón, usando un paño suave o una esponja. Enjuague con agua limpia y seque enseguida con un paño suave sin pelusa, para evitar manchas y rayas.

No use estopa de acero para limpiar el asador, ya que rayará la superficie.

Para evitar daños al acabado del asador ocasionados por el clima, use una cubierta para el mismo.

ACERO INOXIDABLE

IMPORTANTE: Para evitar daños a las superficies de acero inoxidable, no use estropajos que vienen con jabón, productos de limpieza abrasivos, crema para pulir la superficie de cocción, estopa de acero, paños ásperos ni toallas de papel. Los productos de limpieza no deben tener cloro. Pueden ocurrir daños.

Los derrames de alimentos deberán limpiarse tan pronto como se enfríe todo el asador.

Los derrames pueden ocasionar una decoloración permanente.

Método de limpieza:

- Frote en la dirección de la veta para evitar rayar o dañar la superficie.
- Limpiador de acero inoxidable.
- Detergente líquido o producto de limpieza general
- Enjuague con agua limpia y seque con un paño suave que no deje pelusa.

- Vinagre para quitar manchas de agua dura.
- Limpiador de vidrios para quitar las huellas digitales.

PARRILLAS DEL ASADOR

IMPORTANTE: Inmediatamente después de que usted haya terminado de cocinar, gire todos los quemadores para alta de 10-15 minutos con la tapa cerrada para quemar residuos de comida. Apague todos los quemadores, levante la tapa y deje que se enfríe las rejillas. Cuando esté completamente fría, los estantes de parrilla pueden desmontarse para limpieza. Limpiarlas con un detergente suave y agua tibia. Para residuos de alimentos al horno, preparar una solución de 240mL / 1 taza de amoníaco de 3,75 L / 1 gal. de agua. Remoje las parrillas durante 20 minutos, luego enjuague con agua y seque completamente.

ESTANTE DE CALENTAMIENTO

Método de limpieza:

- Detergente líquido o producto de limpiador general.
- Enjuague con agua limpia y seque con un paño suave que no deje pelusa.
- Para manchas difíciles o grasa adherida, utilice un desengrasante comercial.

IMPORTANTE: Cerciórese de que el suministro de gas esté apagado y que todas las perillas de control estén en la posición de "O" (Apagado).

EXTERIOR

Debido a su calidad, este material resiste la mayoría de las manchas y las picaduras, siempre y cuando se mantenga la superficie limpia, pulida y cubierta.

Método de limpieza:

- Aplique pulidor de acero inoxidable a todas las áreas que no sean de cocción antes de usarlas por primera vez. Vuelva a aplicarlo después de cada limpieza para evitar daños permanentes en la superficie.
- A la limpieza deberá seguirle siempre un enjuague con agua tibia limpia. Seque la superficie por completo con un paño suave.
- Para las manchas rebeldes o la grasa adherida, use un desengrasante comercial diseñado para acero inoxidable.

INTERIOR

Se espera que se decolore el acero inoxidable en estas partes, debido al calor intenso de los quemadores. Frote siempre en la dirección de la veta. A la limpieza deberá seguirle siempre un enjuague con agua tibia limpia.

Método de limpieza:

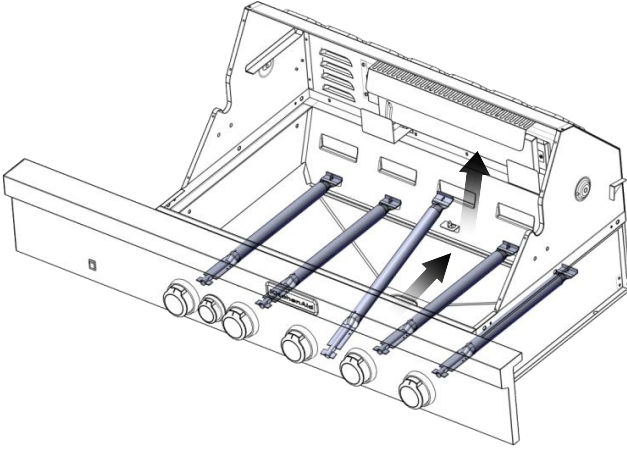
- Detergente líquido o producto de limpieza general.
- Enjuague con agua limpia y seque por completo con un paño suave que no deje pelusa.
- Puede usarse una esponja resistente para fregar con productos de limpieza suaves.
- Para las áreas pequeñas y difíciles de limpiar, use un desengrasante comercial poderoso diseñado para acero inoxidable.

QUEMADORES

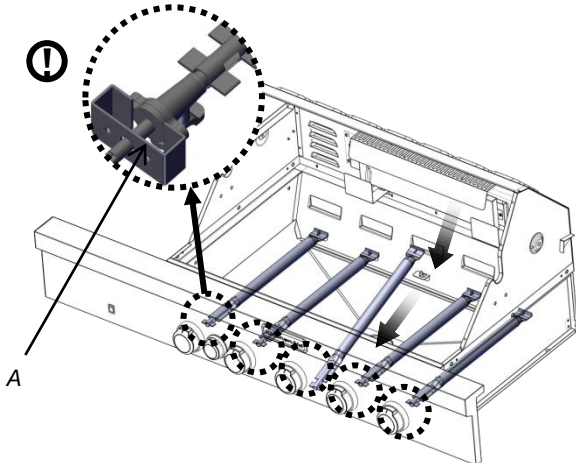
Método de limpieza:

- Limpie el exterior del quemador con un cepillo de alambre.
- Despeje los orificios del quemador que estén bloqueados con un sujetador de papeles enderezado.
- No use un palillo de dientes, ya que puede romperse y obstruir el orificio.
- Revise y limpie el quemador/tubos Venturi.

1. Quite las parrillas y los difusores de calor del asador.
2. Retire los 2 tornillos y el pasador de seguridad que sostiene al quemador en el lugar. Retire el quemador de gas de la parrilla.



3. Inspeccione con una linterna el interior del quemador a través de la abertura, para cerciorarse de que no esté obstruido. Si se ve alguna obstrucción, use una percha de metal enderezada para desbloquearlo.
4. Después de inspeccionar el interior del quemador para ver si está obstruido, vuelva a ensamblar el quemador deslizando el tubo central del quemador de gas sobre el orificio de gas.



A. Conexión del quemador/orificio

5. Vuelva a sujetar el quemador de gas con el tornillo.

QUEMADOR PARA MARCADO

Método de limpieza:

- Limpie la parte externa del quemador lateral con un cepillo de alambre.

MECHERO PARA MARCADO

Método de limpieza:

- Limpie la parte externa del mechero lateral con un cepillo de alambre.

QUEMADOR DEL ROSTIZADOR

Método de limpieza:

1. Encienda el quemador del rostizador. Vea la sección "Uso del quemador del rostizador".
2. Cierre la tapa de la parrilla.
3. Deje el quemador a máxima potencia durante aproximadamente 30 minutos.
4. Gire la perilla en la posición "OFF" y deje enfriar por completo.
5. Cepille los partículas de ceniza procedente del quemador del rostizador.

LA COPA PARA GRASA

IMPORTANTE: La copa para grasa deberá sacarse solamente cuando el asador esté completamente frío. La copa de goteo de ancho completo recoge la grasa y las partículas de alimentos que caen a través del asador. Límpiela a menudo para evitar que se acumule la grasa.

Método de limpieza:

- Saque la copa y colóquela sobre una superficie plana.
- Limpie el exceso de grasa con toallas de papel.
- Detergente suave y agua tibia. Enjuáguela y séquela bien.
- Vuelva a colocar la copa para grasa.

PERILLAS Y ÁREA DE REBORDE ALREDEDOR DE LAS MISMAS

IMPORTANTE: Para evitar daños en las perillas o en el área de reborde alrededor de las mismas, no use estopa de acero, productos de limpieza abrasivos ni limpiador de horno. No remoje las perillas.

Método de limpieza:

- Detergente suave, paño suave y agua tibia.
- Enjuague y seque.

ILUSTRACIONES DEL PANEL DE CONTROL

IMPORTANTE: Para evitar daños en las ilustraciones del panel de control, no use estopa de acero, productos de limpieza abrasivos ni limpiador de horno. No rocíe el limpiador directamente sobre el panel.

Método de limpieza:

- Limpie suavemente alrededor de las etiquetas del quemador, ya que si refríega se puede borrar lo que está impreso.
- Detergente suave, paño suave y agua tibia.
- Enjuague y seque.

SOLUCIÓN DE PROBLEMAS

El asador no se enciende

- **¿Se ha cerrado la válvula del tanque de gas LP de 20 lb?**
Abra el tanque de gas LP de 20 lb.
- **¿Se ha conectado debidamente el asador al suministro de gas?**
Póngase en contacto con un especialista en reparación competente o vea las Instrucciones de instalación.
- **¿Hay gas en el tanque de gas LP de 20 lb?**
Verifique el nivel de gas.
- **¿Funciona el encendedor?**
Verifique que la batería del encendedor esté instalada como es debido o fíjese si necesita ser reemplazada. Vea la sección "Cómo reemplazar la batería del encendedor". Fíjese si el asador se enciende con un cerillo. Vea "Cómo encender manualmente el asador principal" en la sección "Uso del asador para exteriores".
Revise si hay conexiones flojas en los alambres que van al encendedor o a los electrodos.
Revise si hay desechos bloqueando los electrodos.
Si se ve una chispa en cualquier lugar excepto en la punta del encendedor, reemplace el encendedor.

La llama del quemador no permanece encendida

- **¿Está completamente abierto el suministro de gas?**
Verifique que la válvula del tanque de combustible de 20 lb de gas LP esté completamente abierta.
- **¿Tiene poco gas el tanque de gas LP de 20 lb?**
Revise el nivel de gas.
- **¿Se ha instalado correctamente el quemador y está en buenas condiciones?**
Verifique que el quemador esté instalado correctamente.
Revise si el quemador tiene defectos.

La llama hace ruido, está baja o irregular

- **¿Está completamente abierto el suministro de gas?**
Verifique que la válvula del tanque de combustible de 20 lb de gas LP esté completamente abierta.
- **¿Tiene poco gas el tanque de gas LP de 20 lb?**
Revise el nivel de gas.
- **¿Sólo un quemador aparenta estar bajo?**
Revise y limpie los orificios del quemador si están obstruidos o sucios. Consulte la sección "Limpieza general".
- **¿Está doblada o retorcida la manguera de suministro de gas?**
Enderece la manguera de suministro de gas.
- **¿Hace ruidos la llama o se separa del quemador?**
Es posible que el quemador esté recibiendo demasiado aire. Revise el ajuste del obturador de aire; vea la sección "Verificación y ajuste de los quemadores".
- **¿Está la llama del quemador casi completamente amarilla o anaranjada?**
Es posible que el asador esté en un área demasiado ventosa o que no reciba suficiente aire. Revise las entradas de aire del quemador para ver si están obstruidas.

Compruebe el ajuste del obturador de aire, consulte "Comprobar y ajustar los quemadores" sección.

Llamaradas en exceso

- **¿Tiene demasiada grasa el alimento que se está asando?**
Mantenga la llama baja o apague un quemador.
Mantenga la capota levantada cuando esté asando, para evitar demasiadas llamaradas.
Mueva el alimento hacia la parrilla de calentamiento hasta que disminuyan las llamas.
Para evitar daños en el asador, no rocíe agua sobre las llamas de gas.

Calor bajo

Gas L.P.:

Para los asadores para exteriores que usan un tanque de combustible para gas LP de 20 lb, abra despacio la válvula del tanque.

NOTA: Si se activa el dispositivo de reducción de flujo, tal vez no se encienda el asador. Si el asador se enciende, las llamas estarán bajas y no calentarán de modo apropiado.

1. Cierre la válvula del tanque, apague todas las perillas y espere 30 segundos.
2. Después de apagar el tanque, abra la válvula del mismo lentamente y espere 5 segundos antes de encenderlo.
3. Encienda los quemadores de a uno por vez. Vea la sección "Cómo encender el asador principal".

Gas natural:

La presión de gas se ve afectada por el tamaño y la longitud de la línea de gas desde la casa hasta el asador. Póngase en contacto con un técnico competente de gas para proveer el suministro de gas natural en el lugar seleccionado para el asador, de acuerdo con el Código nacional de gas combustible (National Fuel Gas Code) ANSI Z223.1/NFPA54 – última edición, y los códigos locales.

ASISTENCIA

Antes de solicitar ayuda, por favor consulte la sección "Solución de problemas". Si considera que aún necesita ayuda, siga las instrucciones que aparecen a continuación.

Cuando llame, tenga a mano la fecha de compra y el número completo del modelo y de la serie de su electrodoméstico. Esta información nos ayudará a atender mejor a su pedido.

Si necesita piezas de repuesto

Si tiene preguntas o necesita pedir piezas de repuesto, contacte a Servicio al cliente al 1-877-373-2301
Dirija toda la correspondencia a:
Nexgrill Industries, Inc.
14050 Laurelwood PI, Chino, CA 91710

Por favor incluya en su correspondencia un número de teléfono en el que se le pueda localizar durante el día.

Accesorios

Juego para la conversión a gas natural

Pida la pieza número 710-0003

Juego de rostizador

Pida la pieza número 790-0007A

GARANTÍA LIMITADA (Modelo N° 860/870-0003B)

Nexgrill garantiza solamente al consumidor-comprador original de este producto (Modelo N° 860/870-0003B) que el mismo estará libre de defectos en los materiales y la mano de obra después del ensamblaje correcto y bajo uso normal y razonable en el hogar, durante los períodos indicados a continuación, a partir de la fecha de compra. El fabricante se reserva el derecho de exigir evidencia fotográfica del daño o la devolución de las piezas defectuosas con los gastos por envío y/o flete prepagados por el consumidor, para su revisión y examen.

Quemadores de tubo de acero inoxidable: Garantía LIMITADA de 10 años contra perforaciones; **Otros: 1 año.**

Rejillas y parrillas: Garantía LIMITADA de 1 año; no cubre caídas, desportilladuras, rayones ni daños en la superficie.

Piezas de acero inoxidable: Garantía LIMITADA de 3 años contra perforaciones; no cubre problemas estéticos tales como corrosión en la superficie, rayones ni óxido.

Todas las otras piezas: Garantía LIMITADA de 1 año (incluye, pero sin limitación, válvulas, marco, alojamiento, carro, panel de control, encendedor, regulador, mangueras); no cubre desportilladuras, corrosión en la superficie agrietada, rayones ni óxido.

Una vez que el consumidor provea la prueba de compra como se indica en la presente, el Fabricante reparará o reemplazará las piezas que hayan probado ser defectuosas durante el período cubierto por la garantía. Las piezas necesarias para completar la reparación o el reemplazo se proveerán gratuitamente, excepto por los costos de envío, siempre y cuando el comprador esté dentro del período de la garantía a partir de la fecha de compra original. El comprador-consumidor original será responsable por todos los cargos por envío de las piezas reemplazadas bajo los términos de esta garantía limitada. Esta garantía limitada es aplicable solamente en los Estados Unidos, Canadá solamente, está disponible solamente para el dueño original del producto y no es transferible. El fabricante requiere una prueba razonable de la fecha de compra. Por lo tanto, usted deberá conservar su recibo de compra y/o la factura. Si la unidad fue recibida como regalo, solicite a la persona que le hizo el regalo que envíe el recibo en su nombre a la dirección que aparece debajo. Las piezas defectuosas o faltantes que estén cubiertas por esta garantía limitada no serán reemplazadas sin el registro o la prueba de compra. Esta garantía limitada se aplica SOLAMENTE a la funcionalidad del producto y no cubre problemas estéticos tales como rayones, abolladuras, corrosión o decoloración ocasionada por el calor, los limpiadores abrasivos y químicos o cualquier herramienta usada en el ensamblaje o la instalación del aparato, óxido de la superficie o decoloración de las superficies de acero inoxidable. El óxido, la corrosión o las desportilladuras de la pintura en polvo de la superficie en las piezas de metal que no afecten la integridad estructural del producto no se considera un defecto en la mano de obra ni en los materiales, y por lo tanto no están cubiertos bajo esta garantía. Bajo esta garantía limitada, usted no recibirá un reembolso por el costo de cualquier inconveniencia, alimento, herida personal o daño a la propiedad. Si no existe una pieza original de repuesto, se le enviará una pieza de repuesto equivalente. Usted será responsable por todos los cargos por envío de las piezas reemplazadas bajo los términos de esta garantía limitada.

EL FABRICANTE NO PAGARÁ POR LOS SIGUIENTES ARTÍCULOS:

- Visitas de servicio a su hogar.
- Reparaciones cuando su producto se use de un modo diferente al doméstico o residencial normal de una familia.
- Daños causados por accidente, alteración, uso indebido, falta de mantenimiento/limpieza, abuso, incendio, inundación, actos fortuitos, instalación incorrecta, instalación que no esté de acuerdo con los códigos eléctricos o de plomería, o el empleo de productos no aprobados por el fabricante.
- Cualquier pérdida de comida debida a la falla del producto.
- Costos de piezas de repuesto o gastos de reparación para unidades que se empleen fuera de los Estados Unidos o Canadá.
- Recogida y entrega de su producto.
- Cargos por envío o cargos por procesamiento de fotos enviadas como documentación.
- Reparaciones de piezas o sistemas como resultado de modificaciones no autorizadas que se hayan efectuado en el producto.
- La remoción y/o reinstalación del producto.
- Costos por transporte, común o acelerado, para las piezas de repuesto bajo garantía o sin garantía.

EXCLUSIÓN DE GARANTÍAS IMPLÍCITAS; LIMITACIÓN DE RECURSOS

La reparación o el reemplazo de las piezas defectuosas será su único recurso bajo los términos de esta garantía limitada. El fabricante no será responsable por cualquier daño consecuente o incidental que surja del incumplimiento de esta garantía limitada o de cualquier garantía implícita que sea aplicable, ni por la falla o daños ocasionados por actos fortuitos, el cuidado y mantenimiento inadecuados, incendios ocasionados por grasa, accidentes, alteraciones, el reemplazo de piezas por parte de alguien que no sea el Fabricante, uso indebido, transporte, uso comercial, abuso, medioambientes hostiles (inclemencias del tiempo, catástrofes naturales, manipulación por parte de animales), instalación incorrecta o instalación que no esté de acuerdo con los códigos locales o las instrucciones impresas por el fabricante.

ESTA GARANTÍA LIMITADA SERÁ LA ÚNICA GARANTÍA EXPRESA OTORGADA POR EL FABRICANTE. NO EXISTIRÁ NINGUNA OTRA GARANTÍA POR PARTE DEL FABRICANTE CON RESPECTO AL DESEMPEÑO SEGÚN LA ESPECIFICACIÓN O LA DESCRIPCIÓN DEL PRODUCTO, EN DONDE SEA QUE APAREZCA, EXCEPTO EN LA MEDIDA EN QUE SE HA INDICADO EN ESTA GARANTÍA LIMITADA. TODA PROTECCIÓN POR GARANTÍAS IMPLÍCITAS QUE SURJA BAJO LAS LEYES DE CUALQUIER ESTADO, INCLUIDAS LAS GARANTÍAS IMPLÍCITAS DE COMERCIABILIDAD O DE CAPACIDAD PARA UN PROPÓSITO O USO EN PARTICULAR, ESTARÁ LIMITADA EN SU DURACIÓN A LA DURACIÓN DE ESTA GARANTÍA LIMITADA.

Ni los distribuidores, ni el establecimiento minorista que venda este producto, tendrán ninguna autoridad para hacer garantías adicionales o para prometer recursos adicionales a los establecidos anteriormente o en contra de los mismos. En todo caso, la máxima responsabilidad del fabricante no excederá del precio documentado por la compra del producto pagado por el consumidor original. Esta garantía se aplica solamente para las unidades compradas a un minorista o revendedor autorizado.

NOTA: Algunos estados no permiten la exclusión o limitación de daños incidentales o consecuentes, de modo que las limitaciones o exclusiones indicadas anteriormente pueden no aplicarse en su caso; esta garantía limitada le otorga derechos legales específicos según se indica en la presente. Los derechos pueden variar dependiendo de donde reside.

Si usted desea llevar a cabo una acción por cualquier obligación bajo esta garantía limitada, deberá escribir a:

**Nexgrill Customer Relations
14050 Laurelwood PI
Chino, CA 91710**

•Toda la información relativa a devoluciones, pedidos de piezas, preguntas generales y asistencia con problemas de funcionamiento por parte del consumidor, podrá obtenerse llamando al 1-877-373-2301.

SÉCURITÉ DU GRIL D'EXTÉRIEUR

Votre sécurité et celle des autres est très importante.

Nous donnons de nombreux messages de sécurité importants dans ce manuel et sur votre appareil ménager. Assurez-vous de toujours lire tous les messages de sécurité et de vous y conformer.



Voici le symbole d'alerte de sécurité.

Ce symbole d'alerte de sécurité vous signale les dangers potentiels de décès et de blessures graves à vous et à d'autres.

Tous les messages de sécurité suivront le symbole d'alerte de sécurité et le mot "DANGER" ou "AVERTISSEMENT". Ces mots signifient :

⚠ DANGER

Risque possible de décès ou de blessure grave si vous ne suivez pas immédiatement les instructions.

⚠ AVERTISSEMENT

Risque possible de décès ou de blessure grave si vous ne suivez pas les instructions.

Tous les messages de sécurité vous diront quel est le danger potentiel et vous disent comment réduire le risque de blessure et ce qui peut se produire en cas de non-respect des instructions.



DANGER

En cas de détection d'une odeur de gaz :

- Fermer l'arrivée de gaz de l'appareil.
- Éteindre toute flamme nue.
- Ouvrir le couvercle.
- Si l'odeur persiste, s'éloigner de l'appareil et appeler immédiatement le fournisseur en gaz ou les pompiers.



AVERTISSEMENT

1. Ne pas remiser ou utiliser de l'essence ou tout autre liquide ou vapeur inflammable à proximité de cet appareil ou de tout autre appareil.
2. Ne pas remiser une bouteille de gaz de pétrole liquéfié non raccordée à proximité de cet appareil ou de tout autre appareil.

Avertissements de la proposition 65 de l'État de Californie :

AVERTISSEMENT: Pour fonctionner, cet équipement nécessite l'utilisation de gaz propane, qui contient le benzène chimique qui est connu dans l'État de Californie pour être à l'origine de cancers et autres déficiences de naissance.

AVERTISSEMENT: Ce produit contient au moins un produit chimique connu par l'État de Californie pour être à l'origine de cancers.

AVERTISSEMENT: Ce produit contient au moins un produit chimique connu par l'État de Californie pour être à l'origine de malformations et autres déficiences de naissance.

Dans l'État du Massachusetts, les instructions d'installation suivantes sont applicables :

- Les travaux d'installation et réparation doivent être exécutés par un plombier ou tuyauteur qualifié ou licencié, ou par le personnel qualifié d'une entreprise licenciée par l'État du Massachusetts.
- Si une vanne à boisseau sphérique est utilisée, elle doit comporter une manette "T".
- Si un conduit de raccordement flexible est utilisé, sa longueur ne doit pas dépasser 0.91 m / 3 pi.

IMPORTANT : Ce gril est conçu pour un usage à l'extérieur uniquement. Pour les grils destinés à être utilisés à des altitudes supérieures à 2000 pi (609,6 m), il est nécessaire de convertir le gicleur. Voir la section "Spécifications de l'alimentation en gaz". C'est à l'installateur qu'incombe la responsabilité de respecter les dégagements de séparation minimums, spécifiés sur la plaque signalétique des numéros de modèle/de série de l'appareil. Pour les modèles autoportants, la plaque signalétique des numéros de modèle/de série se trouve sur le côté gauche à l'intérieur de la paroi du placard.

IMPORTANTES INSTRUCTIONS DE SÉCURITÉ

AVERTISSEMENT : Pour réduire le risque d'incendie, de choc électrique, de blessures corporelles ou de dommages lors de l'utilisation de l'appareil de cuisson à gaz d'extérieur, il convient d'observer certaines précautions fondamentales, notamment :

- Ne pas installer les appareils de cuisson à gaz d'extérieur (portatifs ou encastrés) dans ou sur un véhicule récréatif, une remorque portative, un bateau ou toute autre installation mobile.
- Toujours respecter les distances de séparation minimales entre l'appareil et les constructions combustibles; voir la section "Exigences d'emplacement".
- L'appareil de cuisson à gaz d'extérieur ne doit pas être situé sous une construction combustible non protégée.
- Cet appareil de cuisson à gaz d'extérieur doit être utilisé à l'extérieur uniquement; ne pas l'utiliser dans un bâtiment, un garage ou tout autre endroit clos.
- Conserver le cordon d'alimentation électrique et le tuyau d'alimentation en combustible à l'écart des surfaces chauffées.
- Maintenir la zone de l'appareil de cuisson à gaz d'extérieur à l'abri des matériaux combustibles, essence ou autres vapeurs ou liquides inflammables.
- Ne pas obstruer le flux de combustion et la ventilation. Conserver les ouvertures de ventilation de l'enceinte de la bouteille de gaz libre et dépourvues de débris.
- Ouvrir la porte de la caisse et inspecter le tuyau d'alimentation de la bouteille de gaz avant chaque utilisation de l'appareil de cuisson à gaz d'extérieur. Si le tuyau présente d'importants signes d'abrasion ou d'usure ou s'il est coupé, il DOIT être remplacé avant toute nouvelle utilisation de l'appareil de cuisson à gaz d'extérieur. Contacter votre marchand et utiliser uniquement les tuyaux de rechange spécifiés pour utilisation avec l'appareil de cuisson à gaz d'extérieur.
- Inspecter visuellement les flammes du brûleur. Elles doivent être bleues. Avec du gaz de pétrole liquéfié, il est normal d'observer une légère pointe jaune. La hauteur des flammes doit être d'environ 2,5 cm / 1 po.



2,5 cm / 1 po

- Nettoyer le tube du brûleur/de la buse et vérifier l'absence d'insectes ou de nids d'insectes. Un tube obstrué peut entraîner un feu sous l'appareil de cuisson à gaz d'extérieur.

- La bouteille d'alimentation au gaz de pétrole liquéfié utilisée doit être :
 - construite et marquée conformément aux spécifications pour les bouteilles de gaz de pétrole liquéfié du U.S. Department of Transportation (DOT) ou de la Norme nationale du Canada, CAN/CSA-B339, Bouteilles, tubes et autres récipients pour le transport des marchandises dangereuses; et de la Commission.
 - fournie avec un dispositif de prévention de remplissage excessif.
 - fournie avec un dispositif de connexion de la bouteille de gaz compatible avec la connexion pour les appareils de cuisson à gaz d'extérieur.
- Toujours vérifier les connexions pour identifier des fuites à chaque branchement et débranchement de la bouteille d'alimentation en gaz de pétrole liquéfié. Voir la section "Instructions d'installation".
- Lorsque l'appareil de cuisson à gaz d'extérieur n'est pas utilisé, l'arrivée de gaz doit être fermée au niveau de la bouteille de gaz.
- Le remisage d'un appareil de cuisson à gaz d'extérieur est autorisé seulement en cas de débranchement et de retrait de la bouteille de gaz de l'appareil.
- Les bouteilles de gaz doivent être remisées à l'extérieur et hors de portée des enfants; elles ne doivent pas être remisées dans un bâtiment, un garage ou tout endroit clos.
- Il est nécessaire d'utiliser le détendeur et le tuyau fournis avec l'appareil de cuisson à gaz d'extérieur. Un détendeur et un tuyau de rechange spécifiques à votre modèle sont disponibles auprès de votre marchand d'appareils de cuisson à gaz d'extérieur.
- La bouteille de gaz doit comporter un manchon destiné à protéger le robinet de la bouteille.
- Pour les appareils conçus pour utiliser une connexion CGA791: Placer un capuchon protecteur sur le robinet de la bouteille de gaz lorsqu'elle n'est pas utilisée. Installer uniquement le type de capuchon protecteur sur le conduit d'évacuation fourni avec la bouteille de gaz. D'autres types de capuchons ou obturateurs pourraient provoquer des fuites de propane.

Le non-respect des instructions suivantes peut entraîner un incendie causant la mort ou des blessures graves.

- Ne pas remiser une bouteille de gaz de pétrole liquéfié de secours sous l'appareil de cuisson à gaz d'extérieur ou à proximité de celui-ci.
- Ne jamais remplir la bouteille au-delà de 80 % de sa capacité de remplissage.

CONSERVEZ CES INSTRUCTIONS

EXIGENCES D'INSTALLATION

Exigences d'emplacement

⚠ AVERTISSEMENT



Risque d'explosion

Ne pas remiser de réservoir à carburant dans un garage ou à l'intérieur.

Ne pas remiser un gril avec réservoir de carburant dans un garage ou à l'intérieur.

Le non-respect de ces instructions peut causer un décès, une explosion ou un incendie.

⚠ AVERTISSEMENT



Risque d'incendie

Ne pas utiliser le gril près de matériaux combustibles.

Ne pas remiser de matériaux combustibles près du gril.

Le non-respect de ces instructions peut causer un décès ou un incendie.

Sélectionner un emplacement où l'exposition au vent est faible et les passages peu nombreux. L'emplacement ne doit pas se trouver dans une zone à forts courants d'air.

Ne pas obstruer le flux de combustion et de ventilation.

Dégagement jusqu'au matériel combustible pour les grils d'extérieur autoportants:

- Un minimum de 91 cm / 36 po doit être maintenu entre l'avant du couvercle du gril, les côtés et l'arrière du gril et tout matériel combustible.
- Un dégagement minimum de 91 cm / 36 po doit également être maintenu sous la surface de cuisson; d'autre part, le gril ne doit pas être utilisé au-dessous d'un élément de construction combustible.

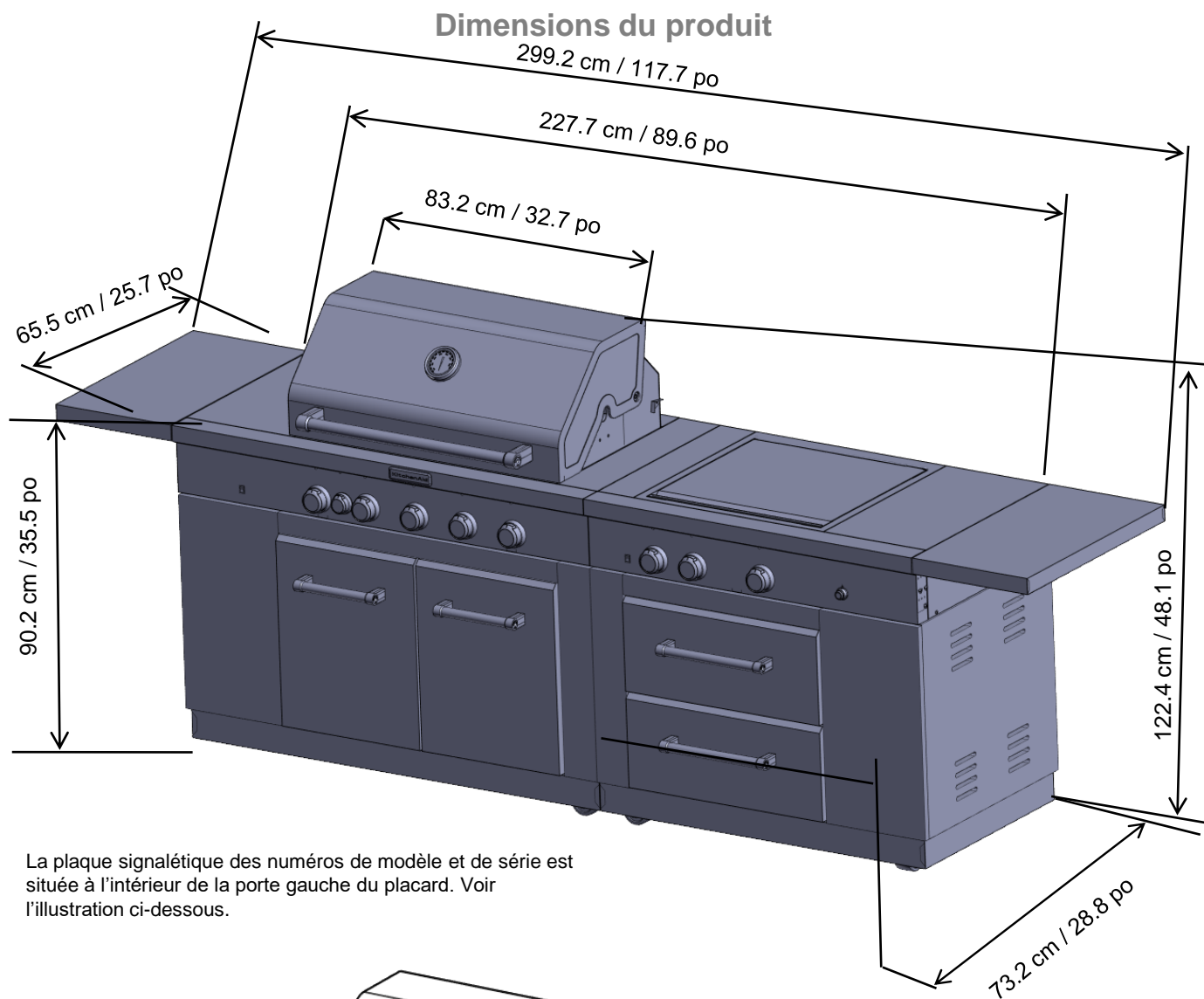
Tournebroche (accessoire est pas inclus)*

Si vous équipez votre gril d'un tournebroche, un dégagement minimum de 15.2 cm / 6 po est nécessaire pour le moteur du tournebroche.

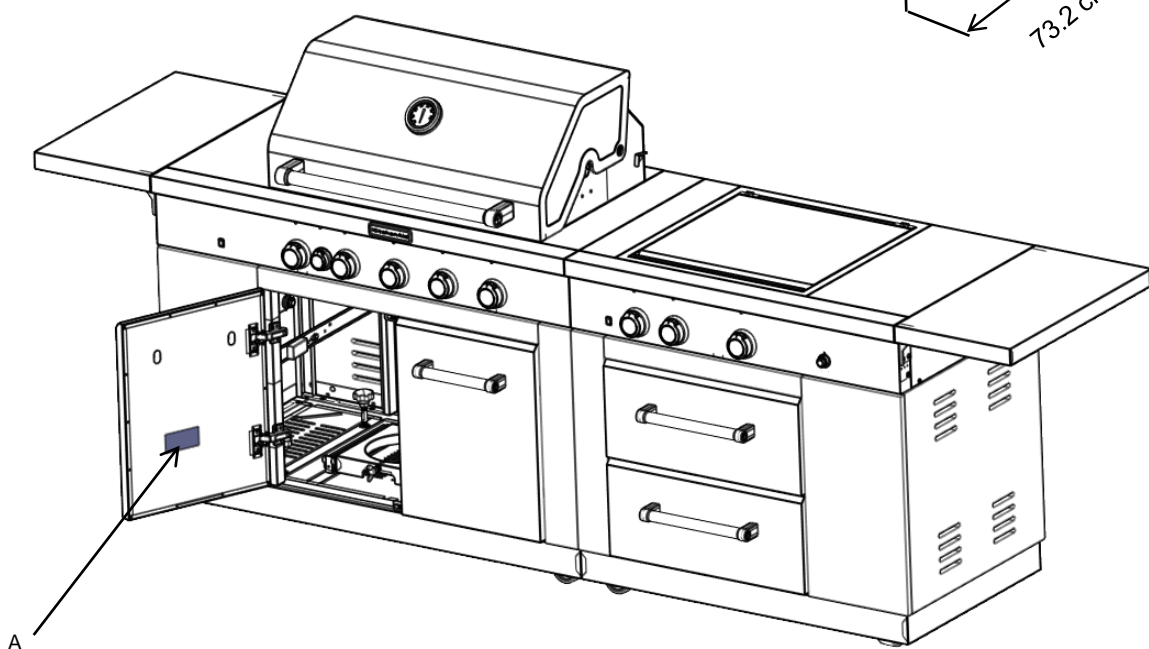
Une prise à 3 alvéoles reliée à la terre, située à gauche du gril, est nécessaire.

*Voir la section "Assistance" pour commander.

EXIGENCES D'INSTALLATION



La plaque signalétique des numéros de modèle et de série est située à l'intérieur de la porte gauche du placard. Voir l'illustration ci-dessous.



A. Plaque signalétique des numéros de modèle et de série

Spécifications de l'alimentation en gaz

⚠ AVERTISSEMENT



Risque d'explosion

Utiliser une canalisation neuve d'arrivée de gaz pour utilisation à l'extérieur approuvée par la CSA International.

Installer un robinet d'arrêt.

Bien serrer chaque organe de connexion de la canalisation de gaz.

En cas de connexion au gaz propane, demander à une personne qualifiée de s'assurer que la pression de gaz ne dépasse pas 36 cm (14 po) de la colonne d'eau.

Par personne qualifiée, on comprend :

le personnel autorisé de chauffage,
le personnel autorisé d'une compagnie de gaz, et
le personnel d'entretien autorisé.

Le non-respect de ces instructions peut causer un décès, une explosion ou un incendie.

Respecter les dispositions de tous les codes et règlements en vigueur.

IMPORTANT: L'installation doit satisfaire aux critères de tous les codes et règlements locaux. En l'absence de codes locaux, l'installation doit être conforme soit au National Fuel Gas Code, ANSI Z223.1/NFPA 54, Natural Gas and Propane Installation Code, CSA B149.1, Propane Storage and Handling Code, B149.2, ou au Standard for Recreational Vehicles, ANSI A119.2/NFPA 1192 et CSA Z240 RV Series Recreational Vehicle Code, si applicable.

Conversion pour changement de gaz :

Ne pas entreprendre de convertir le gril pour l'utilisation d'un gaz différent de celui indiqué sur la plaque signalétique sans d'abord consulter le fournisseur de gaz. On doit utiliser l'ensemble de conversion fourni avec le gril. Voir la section "Conversions pour changement de gaz" pour plus d'instructions.

Détendeur

Le détendeur fourni avec ce gril doit être utilisé. Pour un fonctionnement correct, la pression à l'entrée (alimentation) du détendeur doit être comme suit :

Gaz propane :

Pression de service : 11 po colonne d'eau
Pression à l'entrée (alimentation) : 11 à 14 po colonne d'eau

Gaz Naturel :

Pression de service : 4 po colonne d'eau
Pression à l'entrée (alimentation) : 7 à 14 po colonne d'eau maximum.

En cas d'incertitude quant à la pression à l'entrée (alimentation), contacter le fournisseur de gaz local.

Puissance thermique des brûleurs en altitude

Les débits thermiques indiqués sur la plaque signalétique correspondent à une altitude d'utilisation inférieure ou égale à 609,6 m / 2000 pi. Lorsque l'appareil est utilisé à une altitude supérieure à 609,6 m / 2000 pi, on doit réduire le débit thermique indiqué de 4 % pour chaque tranche de 304,8 m / 1000 pi au-dessus du niveau de la mer. Le remplacement du gicleur du brûleur peut être nécessaire. Voir la section "Assistance" pour commander.

Test de pressurisation de la canalisation de gaz

Test de pressurisation à une pression relative supérieure à 3,5 kPa / ½ lb/po² ou 14 po colonne d'eau :

Pour tout test de pressurisation du système à une pression supérieure à 3,5 kPa / ½ lb/po², on doit déconnecter le gril et son robinet d'arrêt des canalisations d'alimentation en gaz à pressuriser.

Test de pressurisation à une pression relative inférieure à 3,5 kPa / ½ lb/po² ou 14 po colonne d'eau :

Le gril doit être isolé des canalisations d'alimentation en gaz par la fermeture du robinet d'arrêt manuel individuel durant tout test de pressurisation de la canalisation de gaz à une pression inférieure ou égale à 3,5 kPa / ½ lb/po².

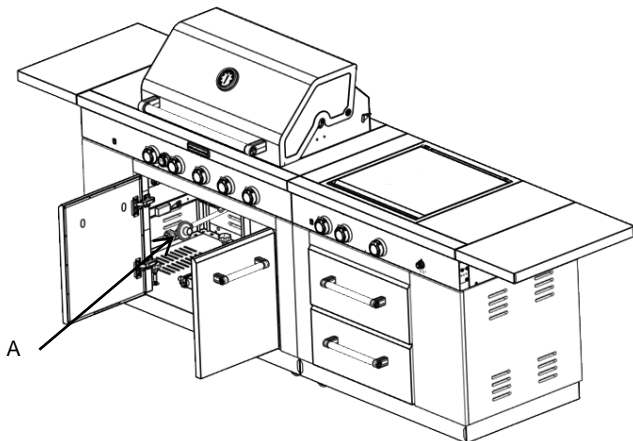
Exigences concernant le raccordement au gaz

Bouteille de propane de 20 lb

Le gril est configuré pour l'alimentation à l'aide d'une bouteille de propane de 20 lb (non fournie). L'ensemble détendeur/tuyau flexible est fourni.

N'importe quelle marque de bouteille de gaz propane de 20 lb peut être utilisée avec le gril, à condition que la bouteille soit compatible avec les moyens de fixation du gril (chariot de la bouteille compris).

La conception de l'appareil est également homologuée par CSA International pour l'alimentation au propane, ou pour l'alimentation au gaz naturel après conversion appropriée.

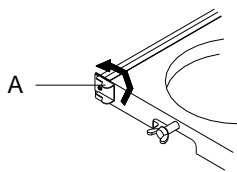


A. Ensemble détendeur/tuyau

La bouteille de gaz propane de 20 lb doit être montée et immobilisée.

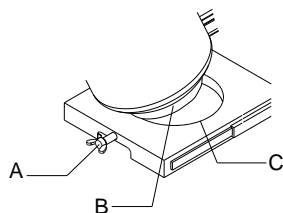
Chariot de bouteille de style porte

1. Ouvrir les portes du placard.
2. Faire glisser la bride de retenue du chariot de la bouteille à 90° dans le sens antihoraire et retirer le chariot.



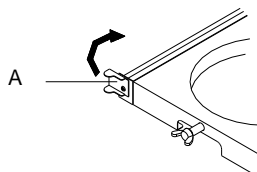
A. Bride de retenue du chariot de la bouteille

3. Placer la bouteille de propane de 20 lb sur le chariot collerette inférieure de la bouteille dans le trou de montage du chariot).
4. Serrer la vis de blocage contre la collerette inférieure de la bouteille de gaz propane de 20 lb pour la fixer.



A. Vis de blocage
B. Collerette inférieure
C. Trou de montage

5. Réinsérer le tiroir ainsi que le chariot de la bouteille de propane de 20 lb dans le placard en les faisant glisser. Tourner la bride de retenue du chariot de la bouteille à 90° dans le sens horaire pour serrer.



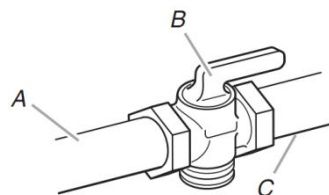
A. Bride de retenue du chariot e la bouteille

Conversion au gaz naturel

L'opération de conversion doit être exécutée par un technicien qualifié. Le technicien qualifié doit installer la canalisation de gaz naturel jusqu'à l'emplacement choisi pour l'installation du gril, en conformité avec les prescriptions de la plus récente édition du National Fuel Gas Code ANSI Z223.1/NFPA 54 et des codes locaux. Pour la conversion au gaz naturel, on doit utiliser l'ensemble de conversion au gaz naturel fourni avec le gril (sur certains modèles) ou l'ensemble de conversion au gaz naturel – pièce numéro 710-0003. Voir la section "Assistance" pour connaître le processus de commande.

IMPORTANT: Le circuit de distribution de gaz doit être conforme aux prescriptions des codes locaux ou, en l'absence de code local, aux prescriptions de l'édition la plus récente du National Fuel Gas Code, ANSI Z223.1/NFPA 54. Suivre les instructions pour la conversion vers le gaz naturel dans la section "Conversions pour changement de gaz" de ce manuel ou les instructions fournies avec l'ensemble de conversion pour gaz naturel – numéro de pièce 710-0003.

La canalisation d'alimentation en gaz doit comporter un robinet d'arrêt approuvé. Le robinet d'arrêt doit être installé au voisinage du gril et être facilement accessible pour les manœuvres d'ouverture/fermeture. Ne pas bloquer l'accès au robinet d'arrêt. Le robinet permet d'ouvrir ou de fermer l'alimentation en gaz du gril.



A. Canalisation d'alimentation en gaz
B. Robinet d'arrêt manuel en position d'ouverture
C. Vers le gril

Raccordement au gaz

REMARQUE: Si le gril doit être au gaz naturel, suivre les instructions de la section "Conversions pour changement de gaz".

Bouteille de propane de 20 lb

⚠ AVERTISSEMENT



Risque d'explosion

Bien serrer chaque organe de connexion de la canalisation de gaz.

En cas de connexion au gaz propane, demander à une personne qualifiée de s'assurer que la pression de gaz ne dépasse pas 36 cm (14 po) de la colonne d'eau.

Par personne qualifiée, on comprend :

**le personnel autorisé de chauffage,
le personnel autorisé d'une compagnie de gaz, et
le personnel d'entretien autorisé.**

Le non-respect de ces instructions peut causer un décès, une explosion ou un incendie.

Gaz Propane:

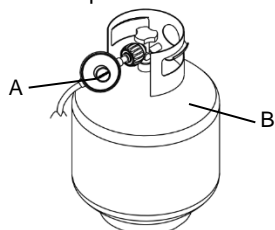
IMPORTANT: On doit acheter une bouteille de propane de 20 lb séparément.

IMPORTANT: Il est nécessaire d'utiliser l'ensemble détendeur/tuyau fourni avec le gril. Si un remplacement est nécessaire, pour la commande des pièces spécifiques au gril utilisé, contacter le marchand qui a vendu l'appareil.

Raccordement de la bouteille de propane de 20 lb :

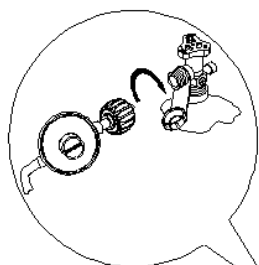
1. Vérifiez que la bouteille de propane de 20 lb est à la position "OFF" (arrêt). Si ce n'est pas le cas, tourner le robinet dans le sens horaire jusqu'à ce qu'il s'arrête.
2. Vérifiez que la bouteille de propane de 20 lb possède les connexions filetées correctes - externes mâles de type 1, en vertu de la norme ANSI Z21.81.
3. Vérifiez que les boutons de commande du brûleur sont à la position d'arrêt "OFF"
4. Retirer tout résidu et inspecter les raccords et orifices du robinet ainsi que l'ensemble détendeur/tuyau pour vérifier qu'ils n'ont subi aucun dommages.

REMARQUE: Toujours garder le cylindre pour gaz propane à un angle de 90° (position verticale) pour l'échappement correct de la vapeur.

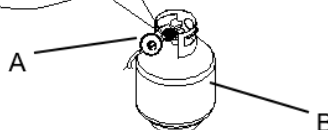


A. Ensemble détendeur/tuyau
B. Bouteille de propane de 20 lb

5. Visser à la main l'ensemble détendeur/tuyau dans le sens horaire pour le raccordement à la bouteille de propane de 20 lb, tel qu'indiqué. Serrer uniquement à la main. Le fait d'utiliser une clé pourrait endommager l'écrou de raccord rapide.



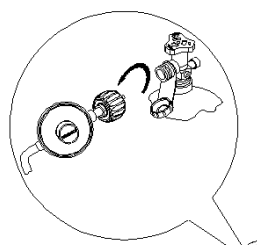
A. Ensemble détendeur/tuyau
B. Bouteille de propane de 20 lb



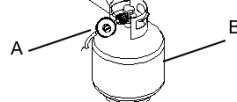
- S'assurer que le dispositif de raccordement du robinet de la bouteille correspond au dispositif de raccordement fixé au point d'entrée du détendeur.
6. Ouvrir complètement le robinet de la bouteille en tournant le robinet dans le sens antihoraire. Attendez quelques minutes pour que le gaz remplisse la canalisation de gaz.
 7. Avant d'allumer le gril, tester tous les raccordements en les badigeonnant d'une solution de détection des fuites non corrosive approuvée. L'apparition de bulles indique la présence d'une fuite.
 8. En cas de détection de fuite, fermer le robinet de la bouteille et ne pas utiliser le gril. Contacter un technicien de gaz qualifié pour effectuer les réparations.
 9. Passer à la section "Contrôle et réglage des brûleurs".

Déconnexion de la bouteille de propane de 20 lb :

1. Vérifiez que les boutons de commande des brûleurs sont à la position d'arrêt "OFF" et que le gril est froid.
2. Vérifier que la bouteille de propane de 20 lb est à la position "OFF" (arrêt). Si ce n'est pas le cas, tourner le robinet dans le sens horaire jusqu'à ce qu'il s'arrête.
3. Tourner l'ensemble détendeur/tuyau à la main dans le sens antihoraire pour déconnecter la bouteille de propane de 20 lb, tel qu'indiqué. Desserrer uniquement à la main. Le fait d'utiliser une clé pourrait endommager l'écrou de raccord rapide.
4. Placer un capuchon anti-poussière sur la sortie du robinet de la bouteille lorsque celle-ci n'est pas utilisée. Utiliser uniquement le type de capuchon anti-poussière fourni avec le robinet de la bouteille pour le placement sur la sortie du robinet de la bouteille. L'utilisation d'autres types de Capuchons peut entraîner une fuite de propane.



A. Ensemble détendeur/tuyau
B. Bouteille de propane de 20 lb

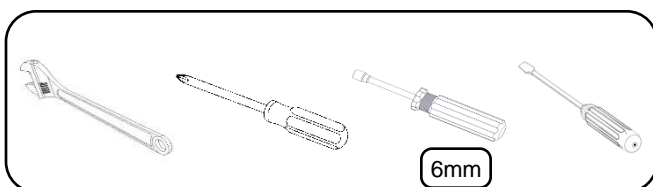


CONVERSIONS POUR CHANGEMENT DE GAZ

Outils et pièces pour conversion de gaz

Rassembler les outils et pièces nécessaires avant d'entreprendre l'installation. Lire et observer les instructions fournies avec chacun des outils de la liste ci-dessous.

Outils nécessaires



Pièces fournies

■ Gicleurs de gaz naturel

Pièces nécessaires

- Ensemble de conversion pour gaz naturel – pièce numéro 710-0003. Voir la section "Assistance" pour commander. Cet ensemble de conversion comprend :
 - Détendeur pour gaz naturel de 4 po colonne d'eau (avec indication "Détendeur pour gaz naturel")
 - 3,0 m / 10 pi Tuyau pour gaz naturel avec raccord à branchement rapide
 - Tuyau du détendeur pour gaz naturel de 150 mm / 5,9 po
 - Tourne-écrou de 6 mm
 - Clé de 6 mm
 - Clé à tête hexagonale

IMPORTANT: Les conversions de gaz doivent être exécutées par un installateur qualifié. Avant d'entreprendre la conversion, fermer l'arrivée de gaz à gril.

⚠ AVERTISSEMENT



Risque d'explosion

Utiliser une canalisation neuve d'arrivée de gaz pour utilisation à l'extérieur approuvée par la CSA International.

Installer un robinet d'arrêt.

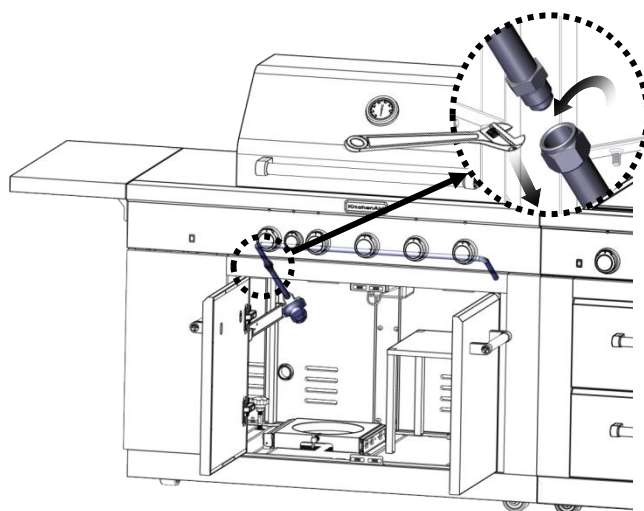
Bien serrer chaque organe de connexion de la canalisation de gaz.

Le non-respect de ces instructions peut causer un décès, une explosion ou un incendie.

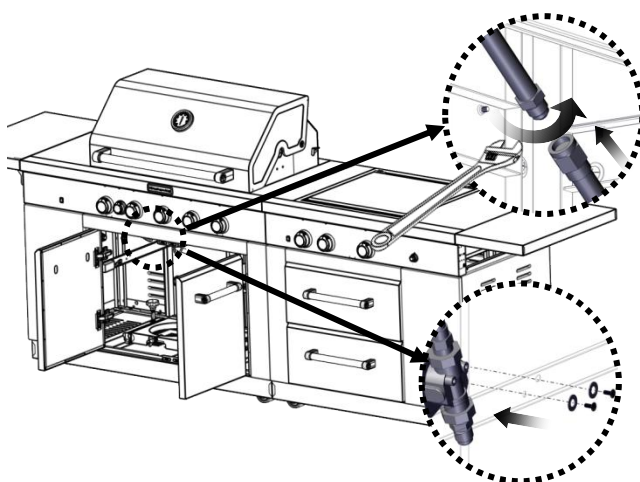
Conversion de propane à gaz naturel

Installation du détendeur

1. Fermer le robinet d'arrêt de la canalisation de gaz.
2. Débrancher la bouteille de gaz propane de 20 lb (le cas échéant).
3. Fermer les robinets de commande de tous les brûleurs.
4. Retirer la bouteille de gaz propane de 20 lb (le cas échéant) du chariot du gril.
5. Utiliser une clé à molette pour retirer le raccord du détendeur pour gaz propane de la tubulure de distribution.

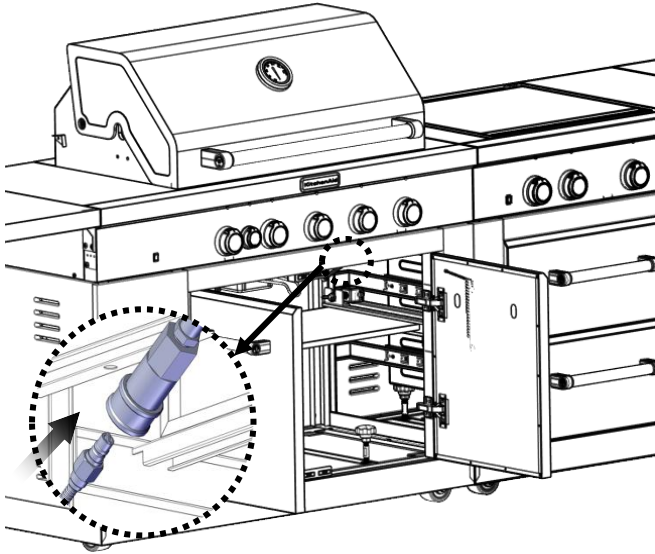


6. Utiliser une clé à molette pour installer le détendeur pour gaz naturel sur la tubulure de distribution et fixer. Fixer le détendeur pour gaz naturel au panneau latéral à l'intérieur du chariot du gril à l'aide des deux vis préassemblées sur le détendeur.

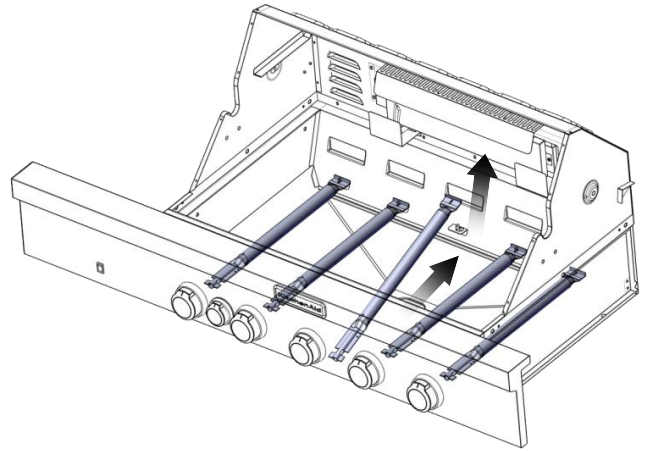


Raccordement au gaz

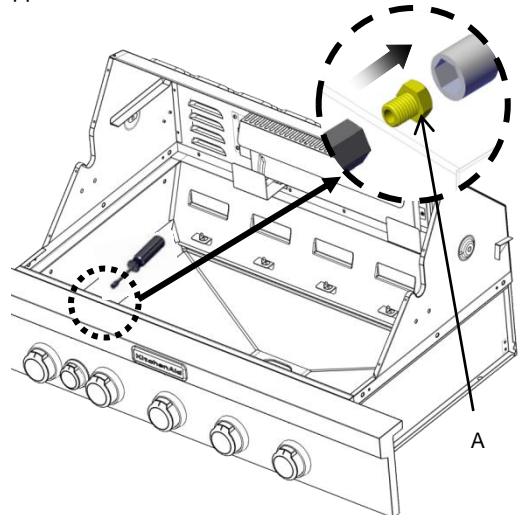
- On doit employer une combinaison de raccords pour raccorder le gril à la canalisation de gaz existante.
 - On doit utiliser le tuyau d'alimentation en gaz flexible en PVC homologué CSA de 3,0 m / 10 pi.
 - Pour l'étanchéité des jointures, utiliser un composé d'étanchéité pour tuyauterie compatible avec le gaz naturel. Ne pas utiliser de ruban adhésif Teflon®†.
 - La canalisation d'alimentation en gaz doit comporter un robinet d'arrêt manuel (homologué) facilement accessible à proximité du gril.
- Connecter le raccord en laiton à une extrémité du tuyau d'alimentation de gaz flexible en PVC de 3,0 m / 10 pi au détendeur pour gaz naturel.
- Connecter le raccord à branchement rapide à l'autre extrémité du tuyau d'alimentation de gaz flexible en PVC de 3,0 m / 10 pi à la canalisation rigide d'alimentation en gaz naturel.



- Retirez le brûleur du gril en le soulevant pour le dégager.



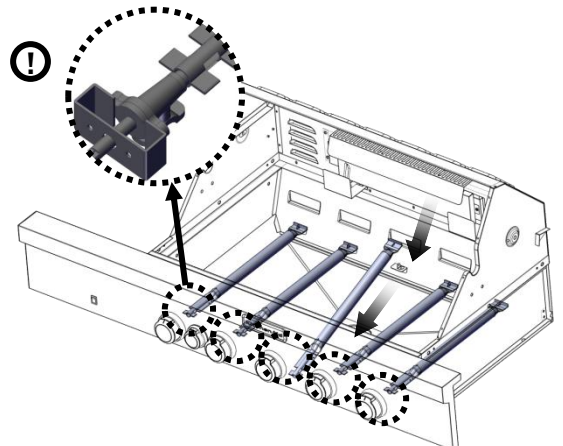
- Démonter le gicleur en laiton de l'extrémité du robinet de gaz à l'aide d'une clé à douille de 6 mm ou d'un tourne-écrou de 6 mm. Le gicleur de brûleur principal se trouve derrière le gicleur pour gaz propane – aucun gicleur supplémentaire ne doit donc être installé.



A. Gicleur de brûleur principal

IMPORTANT: Vérifiez que le LP orifice est bien enlevé l'intérieur de la vanne.

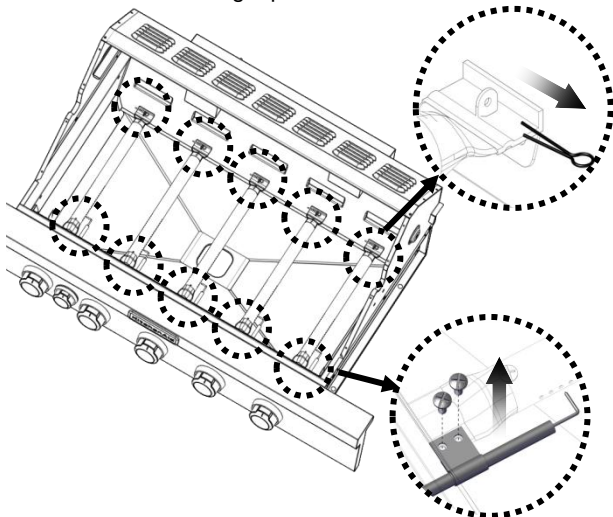
- Réinsérer le brûleur et le fixer à nouveau à l'aide des 2 vis précédemment retirées. Répéter ce processus pour chaque brûleur principal.



- Positionner les allumeurs de façon à ce qu'ils se trouvent à 3.2 mm / 1/8 po de chaque brûleur.

Remplacement des gicleurs de brûleur du gril

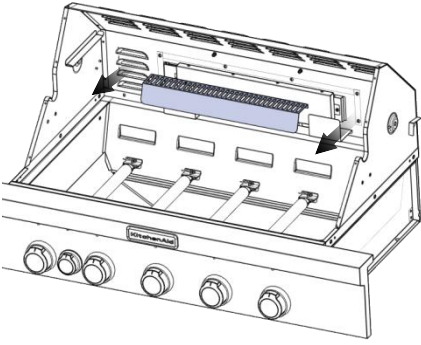
- Ôter les grilles et les régulateurs de flamme.
- Retirez les 2 vis et la goupille fendue fixant le brûleur. Mettre les vis et la goupille de côté.



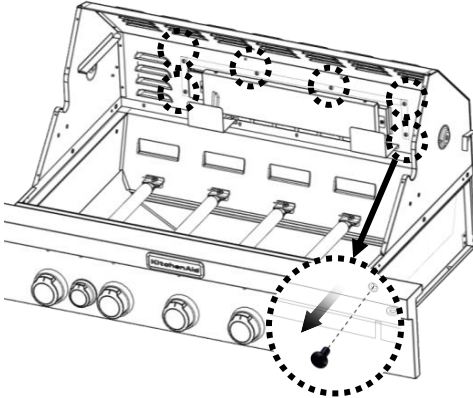
† ©TEFLON is a registered trademark of E.I. Du Pont De Nemours and Company.

Changer d'orifice pour le brûleur de la rôtissoire

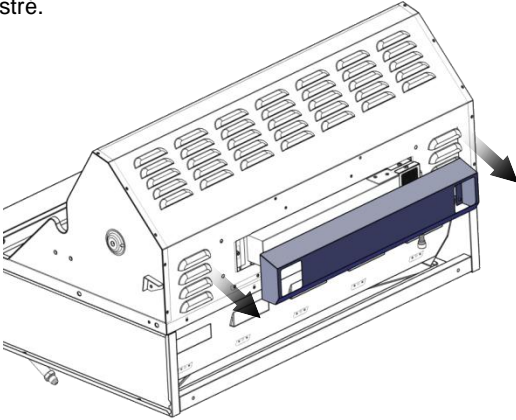
1. Utiliser un tournevis pour retirer les deux vis de l'écran thermique du brûleur de la rôtissoire et retirer l'écran



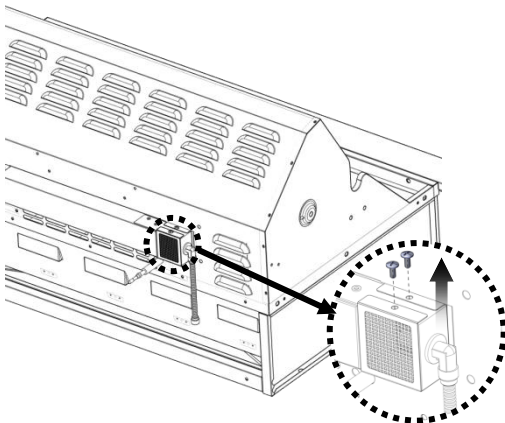
2. Retirer les six vis du capot arrière du brûleur de la rôtissoire.



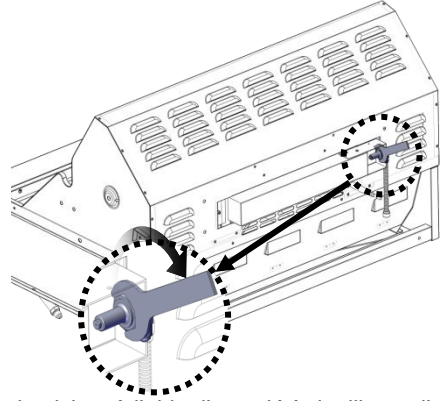
3. Retirer le capot arrière du brûleur de la rôtissoire comme illustré.



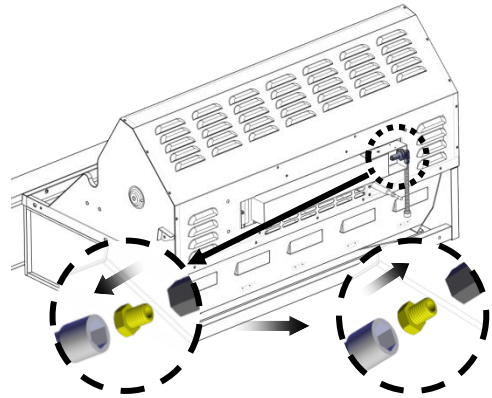
4. Retirer les deux vis du support de l'électrode pour retirer le support comme illustré.



5. Utiliser une clé à molette pour retirer le coude en laiton.

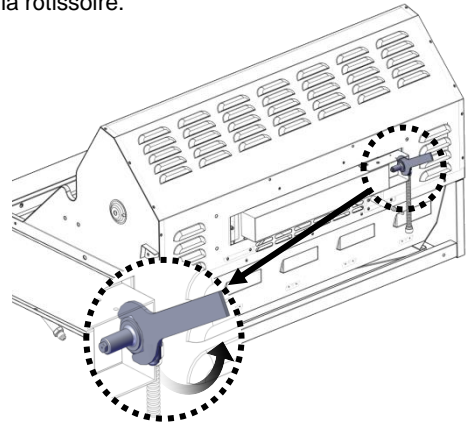


6. Retirer le gicleur à l'aide d'une clé à douille ou d'un tourne-écrou de 6 mm. Remplacer par le gicleur pour gaz naturel.

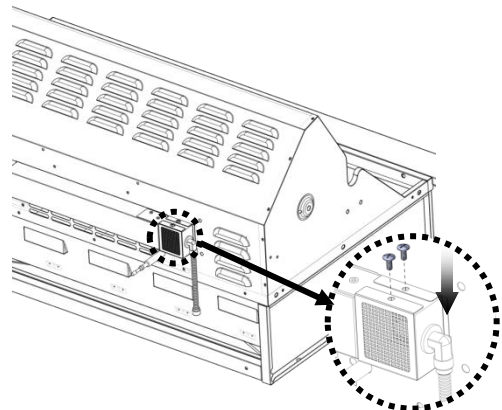


IMPORTANT: Vérifiez que le gicleur à gaz naturel est correctement installé dans la valve.

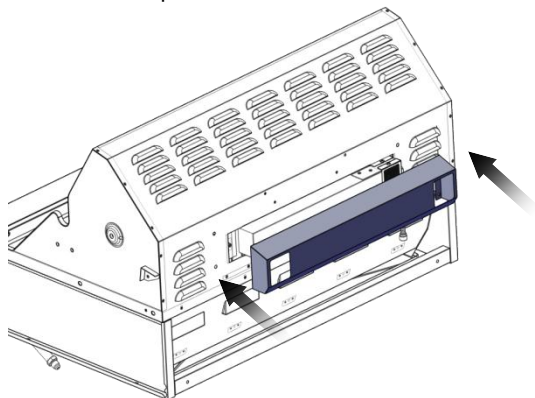
7. A l'aide d'une clé, serrer le coude en laiton du brûleur de la rôtissoire.



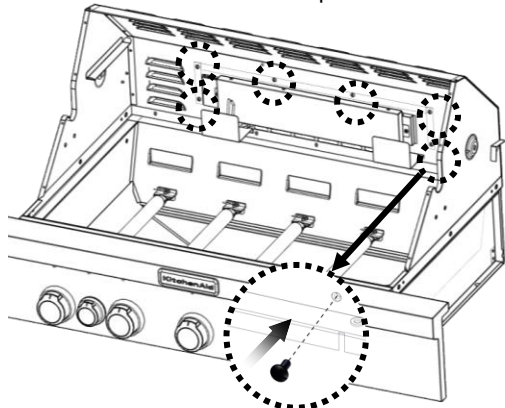
8. Réinstaller le support de l'électrode et serrer les vis.



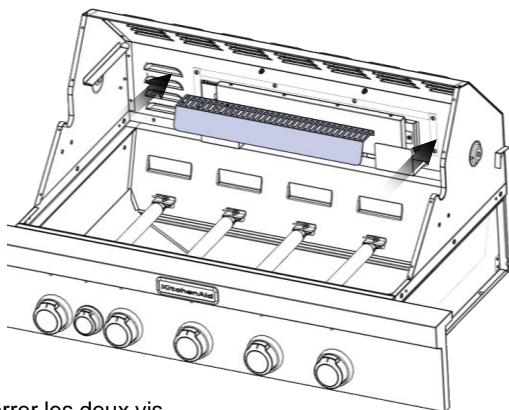
9. Réinstaller le capot arrière du brûleur de la rôtissoire.



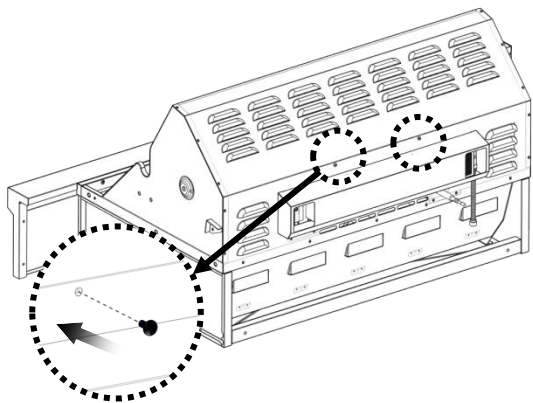
10. Serrer les six vis à l'avant du capot arrière de la rôtissoire.



11. Réinstaller l'écran thermique du brûleur de la rôtissoire.

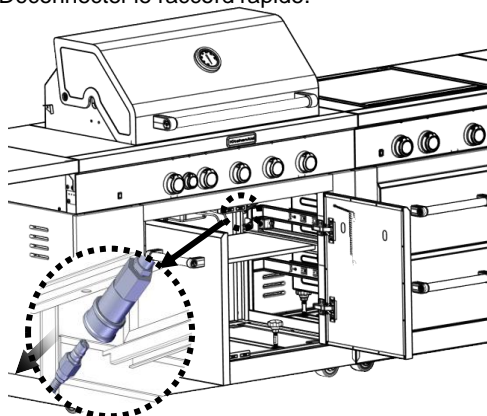


12. Serrer les deux vis.

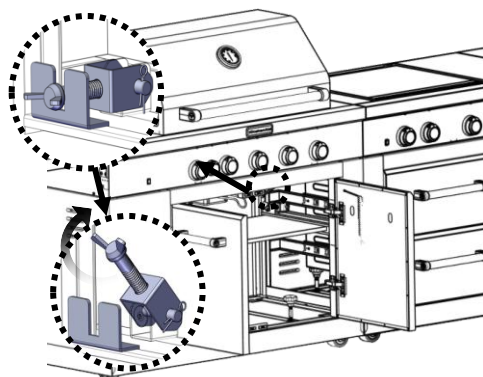


Changer l'orifice du brûleur à infrarouge

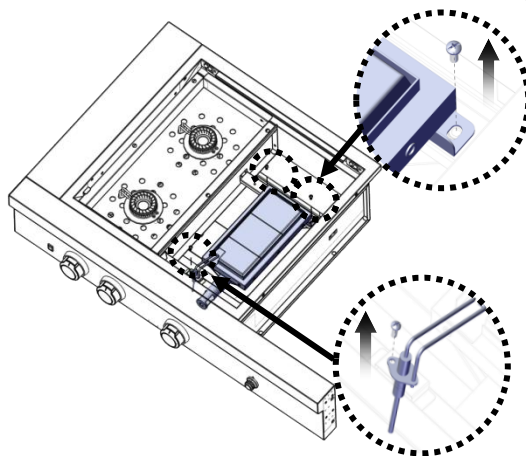
1. Déconnecter le raccord rapide.



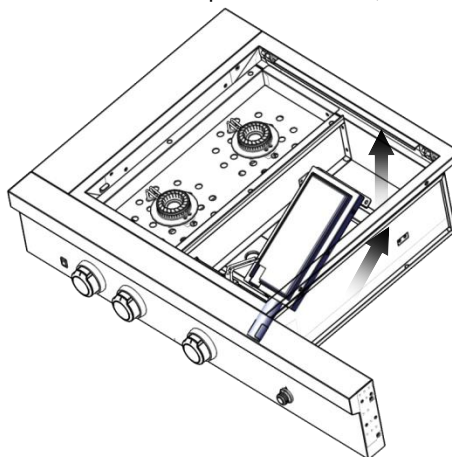
2. Libérer le mécanisme de verrouillage.



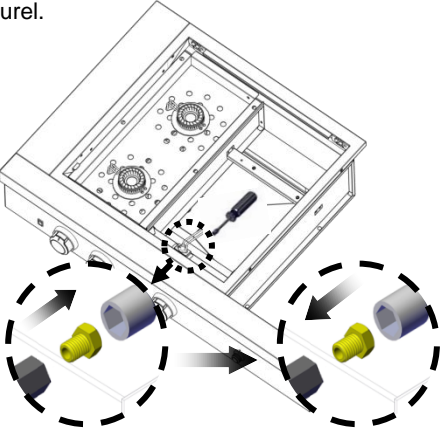
3. Utiliser un tournevis pour retirer la broche d'allumage. Retirer les deux vis à l'arrière du brûleur à infrarouge.



4. Soulever le brûleur à partir de l'arrière, comme illustré.

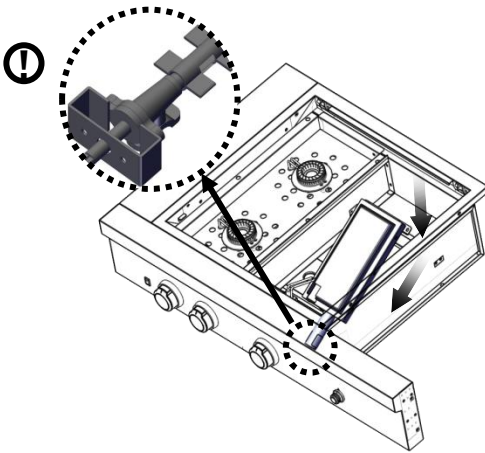


5. Démontez le gicleur à l'aide d'une clé à douille ou d'un tourne-écrou de 6 mm. Remplacez par le gicleur pour gaz naturel.

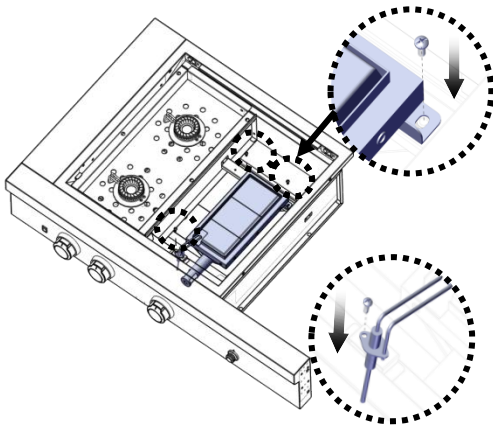


IMPORTANT: Vérifier que le gicleur est correctement installé dans la valve.

6. Réinstallez le brûleur à infrarouge.

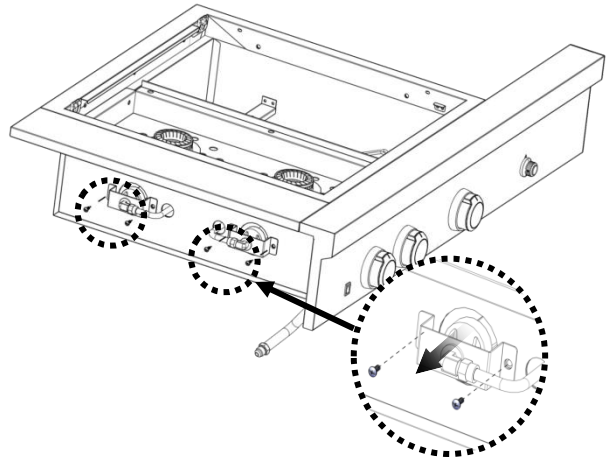


7. Réinstallez les deux vis à l'arrière du brûleur à infrarouge. Utilisez un tournevis pour réinstaller la broche d'allumage.

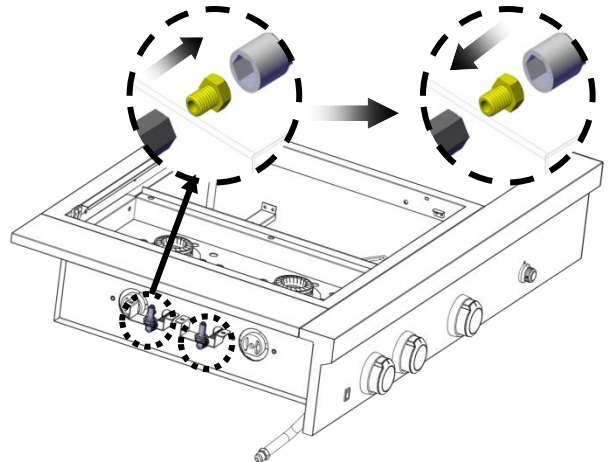


Changer l'orifice du brûleur latéral

1. Dévissez les deux vis de chaque support afin de retirer les supports.

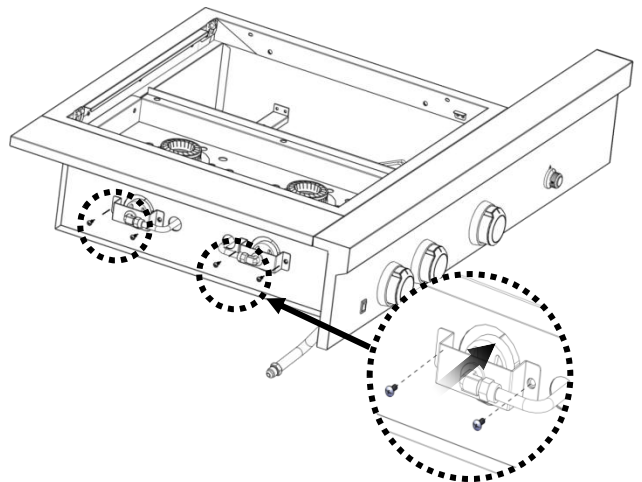


2. Démontez le gicleur à l'aide d'une clé à douille ou d'un tourne-écrou de 6 mm. Remplacez par le gicleur pour gaz naturel, pour chaque brûleur latéral.

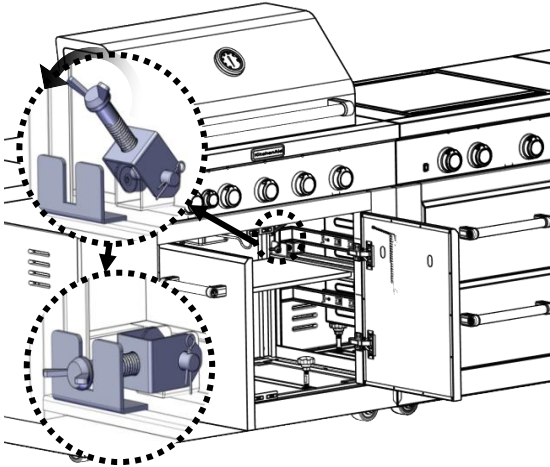


IMPORTANT : Vérifier que le gicleur est correctement installé dans la valve.

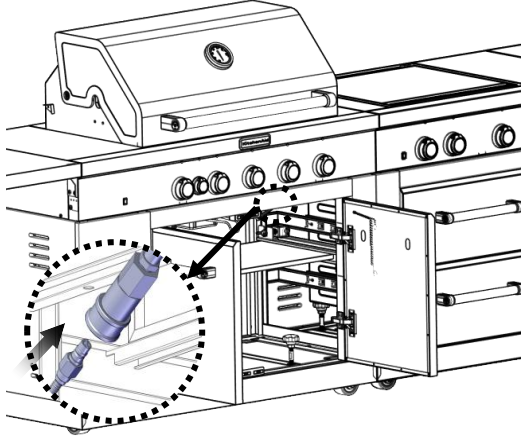
3. Réinstallez les supports en revissant les deux vis de chaque support.



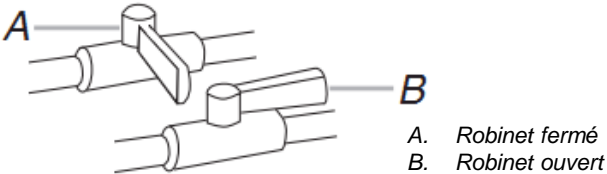
- Replacer le mécanisme de verrouillage en position verrouillée.



- Reconnecter le raccord rapide.



- Ouvrir le robinet d'arrêt manuel sur la canalisation d'alimentation en gaz. Le robinet est ouvert lorsque la poignée est parallèle au conduit d'alimentation en gaz.



- Effectuer une recherche des fuites sur chaque raccord à l'aide d'une solution homologuée de détection des fuites, non corrosive. L'apparition de bulles indique la présence d'une fuite. Réparer toute fuite éventuelle.

Enregistrer la conversion

La plaque signalétique LP de l'appareil est située à l'intérieur de la porte gauche du gril. Une fois la conversion réalisée, placez la plaque signalant que le gril fonctionne au gaz naturel sur la plaque signalétique actuelle (fonctionnement au propane).

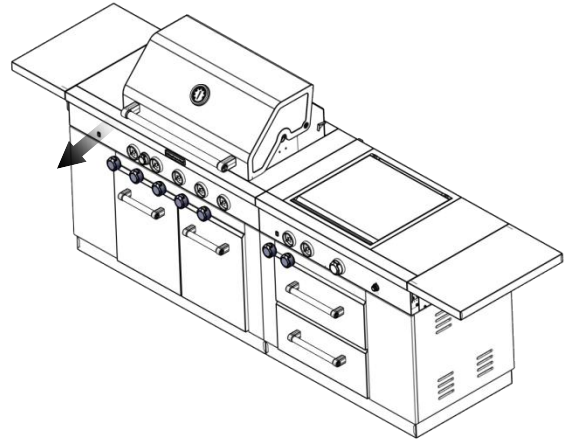
Dans la dernière page du manuel d'utilisation et d'entretien, écrire "converti au gaz naturel". Notez aussi la date de conversion et le technicien / entreprise qui a effectué la conversion.

REMARQUE : Placez les gicleurs à propane dans le sachet de pièces en plastique et conserver celui-ci avec les documents fournis avec l'appareil, afin de pouvoir les réutiliser ultérieurement.

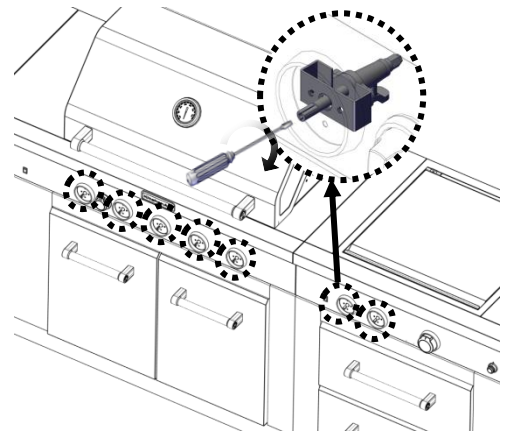
Ajuster la Hauteur de Flamme

Lors de la conversion du gril au gaz naturel, il faut parfois ajuster la vis de réglage de flamme haute pour obtenir la hauteur idéale de flamme au niveau du brûleur (1 pouce).

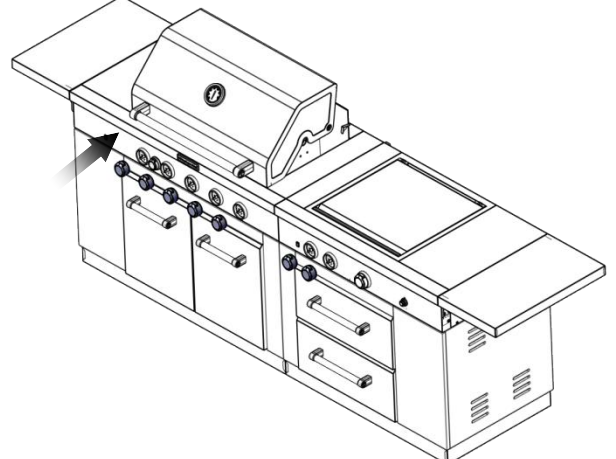
- Retirer chaque bouton de commande du brûleur principal et du brûleur latéral.



- Utiliser un tournevis à lame plate pour tourner la vis de réglage de flamme haute dans le sens inverse des aiguilles d'une montre d'environ 90°.



- Vérifier que le brûleur fonctionne correctement avec le nouveau réglage de flamme haute. Il sera peut-être nécessaire d'ajuster légèrement le réglage de la vis pour obtenir la hauteur de flamme de brûleur idéale (1 pouce).
- Replacer les boutons des brûleurs à leurs emplacements d'origine.



Contrôle et réglage des brûleurs

Les brûleurs ont été testés et réglés à l'usine pour un fonctionnement optimal. Cependant de légères modifications du réglage de l'admission d'air et du débit thermique minimum peuvent être nécessaires du fait de variations de la pression de distribution du gaz disponible et d'autres conditions. On recommande que tout réglage des brûleurs soit exécuté par une personne qualifiée.

Pour contrôler et régler les flammes sur les brûleurs du grill, on doit enlever la grille et les régulateurs de flamme.

Caractéristiques des flammes de brûleurs

Les flammes sur les brûleurs du grill et sur les brûleurs latéraux (sur certains modèles) devraient présenter une teinte bleue et une forme stable, sans bruit excessif ni séparation entre flamme et brûleur (les flammes produites par le propane comportent une pointe légèrement jaune). Une teinte jaune des flammes indique une déficience d'air. Si la combustion est bruyante ou si les flammes se séparent du brûleur, il y a un excès d'air. La présence modérée d'une teinte jaune à l'extrémité des flammes lorsque le brûleur est réglé à HIGH (débit thermique maximum) est acceptable dans la mesure où il n'y a pas de formation de dépôt de carbone ou de suie. La hauteur des flammes doit être d'environ 2,5 cm / 1 po.

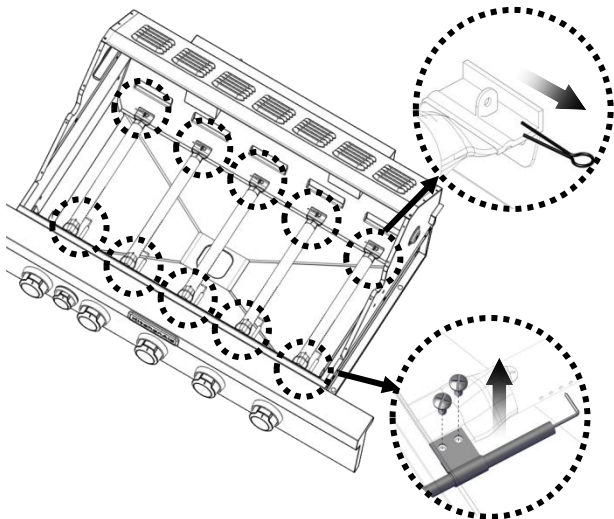


Vérifier que les brûleurs ne sont pas obstrués par de la poussière, des débris, nids d'insectes, etc.; nettoyer au besoin. Si les brûleurs sont propres, ajuster l'admission d'air au besoin.

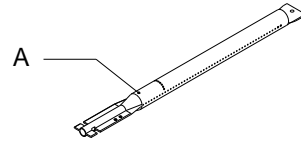
IMPORTANT: Avant de régler l'admission d'air sur un brûleur, laisser le brûleur refroidir complètement.

Processus de réglage:

1. Allumer le grill à l'aide des informations de la section "Utilisation du grill d'extérieur".
2. Observer les flammes pour déterminer si le brûleur nécessite un réglage et pour noter la forme des flammes.
3. Fermer le robinet et laisser le grill et les brûleurs refroidir complètement.
4. Ôter les grilles du grill et les régulateurs de flamme.
5. Enlever la vis et la goupille fendue qui maintiennent le brûleur en place. Ôter le brûleur à gaz du grill.



6. Si les flammes présentent une teinte jaune (pénurie d'air), faire tourner la vis de réglage de l'admission d'air dans le sens antihoraire. Si la combustion est bruyante ou si les flammes se séparent du brûleur (excès d'air), tourner la vis de réglage de l'admission d'air dans le sens horaire.



A. Vis de réglage de l'admission d'air

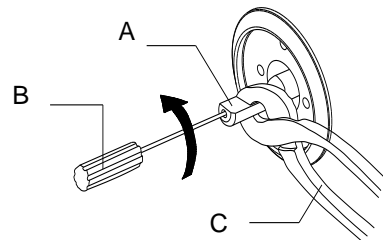
Lors des réglages, dans un sens ou dans l'autre, modifier la taille de l'orifice d'admission d'air de 3,2 mm / 1/8 po à 6,4 mm / 1/4 po.

7. Réinstaller le brûleur, les régulateurs de flamme et les grilles.
8. Allumer le grill à l'aide des informations de la section "Utilisation du grill d'extérieur". Voir "Caractéristiques des flammes de brûleurs".

Réglage pour le débit thermique minimum

Si le brûleur s'éteint lorsqu'il est réglé pour le débit thermique minimum (position LOW), on doit effectuer un réglage particulier.

1. Fermer le robinet et laisser le grill et les brûleurs refroidir complètement.
2. Ôter les grilles du grill et les régulateurs de flamme.
3. Allumer le grill à l'aide des informations de la section "Utilisation du grill d'extérieur".
4. Tourner le brûleur au réglage le plus bas.
5. Retirer chaque bouton de commande des brûleurs principaux et du brûleur latéral en desserrant la vis avec la clé hex.
6. Immobiliser la tige de réglage du robinet avec une pince et insérer un petit tournevis à lame plate dans l'axe.
7. Observer les flammes et faire tourner doucement le tournevis dans le sens antihoraire.
8. Régler pour obtenir des flammes stables de taille minimum.



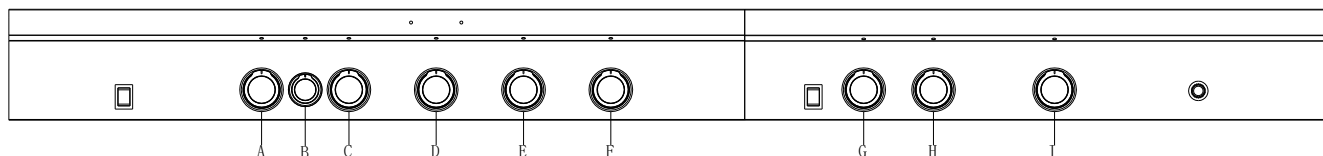
A. Tige de réglage
B. Petit tournevis à lame plate
C. Pince

9. Réinstaller le bouton de commande et éteindre le brûleur.
10. Répéter les étapes 3 à 9 pour chaque brûleur au besoin.
11. Après le refroidissement des brûleurs, réinstaller les régulateurs de flamme et les grilles.

UTILISATION DU GRIL D'EXTÉRIEUR

Ce manuel porte sur plusieurs types de modèle. Le grill que vous avez acheté peut disposer de certaines ou de toutes les caractéristiques énumérées ou seulement certaines d'entre elles. Les emplacements et aspects des caractéristiques illustrées ci-dessous peuvent ne pas correspondre à ceux de votre modèle.

Tableau de commande



A. Bouton du brûleur du grill gauche

C. Bouton du brûleur du grill centre-gauche

E. Bouton du brûleur du grill centre-droit

G. Côté avant bouton du brûleur latéral

I. Bouton du brûleur à infrarouge

B. Bouton du brûleur de la rôtisserie

D. Bouton du brûleur du grill centro

F. Bouton du brûleur du grill droit

H. Côté arrière bouton du brûleur latéral

Utilisation de votre grill d'extérieur

⚠ AVERTISSEMENT



Risque d'explosion

Ne pas remiser de réservoir à carburant dans un garage ou à l'intérieur.

Ne pas remiser un grill avec réservoir de carburant dans un garage ou à l'intérieur.

Le non-respect de ces instructions peut causer un décès, une explosion ou un incendie.

⚠ AVERTISSEMENT



Risque d'incendie

Ne pas utiliser le grill près de matériaux combustibles.

Ne pas remiser de matériaux combustibles près du grill.

Le non-respect de ces instructions peut causer un décès ou un incendie.

⚠ AVERTISSEMENT

Risque d'empoisonnement alimentaire

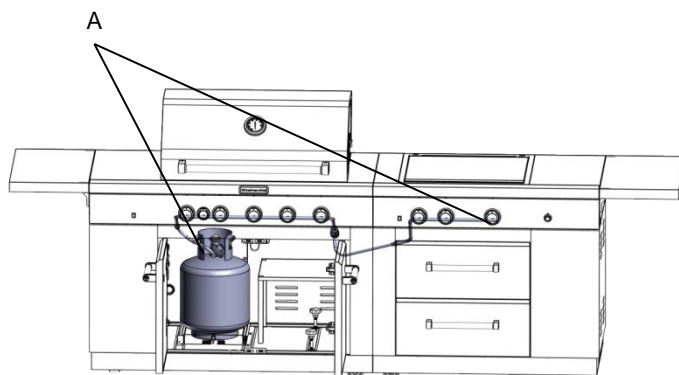
Ne pas laisser des aliments reposer plus d'une heure avant ou après la cuisson.

Le non-respect de cette instruction peut causer un empoisonnement alimentaire ou une maladie.

Inspection du tuyau de raccordement entre le grill et la bouteille de gaz

Avant chaque utilisation, inspecter l'ensemble détenteur/tuyau de raccordement.

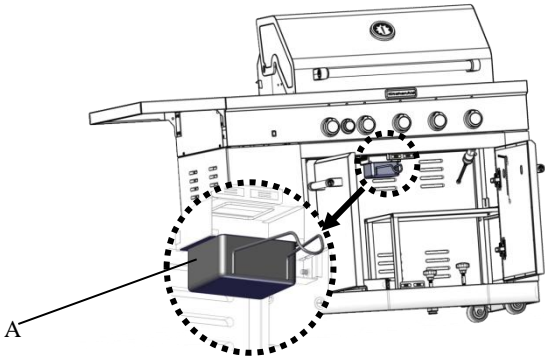
1. Ouvrir la porte du placard de gauche.
2. Inspecter l'ensemble détenteur/tuyau de raccordement; rechercher coupures, abrasions ou usure excessive.
3. Si nécessaire, remplacer l'ensemble détenteur/tuyau de raccordement avant d'utiliser le grill.



A. Ensemble détenteur/tuyau

Préparation du grill pour l'allumage

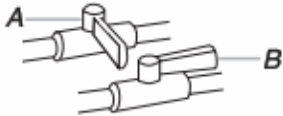
1. Ouvrir complètement le couvercle. Ne pas allumer les brûleur alors que le couvercle est fermé.
2. Vérifier que les boutons de commande sont à la position de fermeture "O".
3. Il faut que le plateau d'égouttement soit en place et complètement enfoncé



A. Plateau d'égouttement

Ouvrir l'arrivée de gaz

1. Pour grills d'extérieur avec bouteille de propane de 20 lb :
Ouvrir lentement le robinet de la bouteille.
REMARQUE: En cas d'activation d'un dispositif de limitation du débit de gaz, le grill peut ne pas s'allumer. Si le brûleur du grill parvient à s'allumer, la taille des flammes sera réduite de même que le débit thermique. Fermer le robinet de la bouteille et tous les robinets du grill et attendre 30 secondes. Après la fermeture du robinet de la bouteille, ouvrir très lentement le robinet de la bouteille et attendre 5 secondes avant de tenter d'allumer un brûleur.
2. Pour grills d'extérieur avec source de gaz autre qu'une bouteille de propane de 20 lb :
Ouvrir le robinet d'arrêt manuel sur la canalisation d'alimentation en gaz. Le robinet est ouvert lorsque la poignée est parallèle au conduit d'alimentation en gaz.

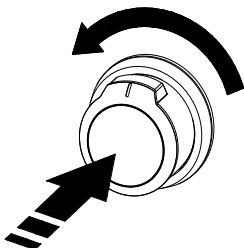


A. Robinet fermé
B. Robinet ouvert

Allumage du grill

IMPORTANT: Si un brûleur ne s'allume pas immédiatement, ramener le bouton du brûleur à la position d'arrêt "O" et attendre 5 minutes avant une nouvelle tentative d'allumage.

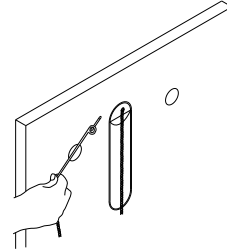
1. Ouvrir complètement le couvercle. Ne jamais allumer les brûleurs alors que le couvercle est fermé.
2. Ne pas se pencher au-dessus du grill.
3. Choisir le brûleur à allumer. Enfoncer et faire tourner le bouton de commande du brûleur du grill pour le placer à la position "🔥" (allumage) et maintenir le bouton enfoncé.



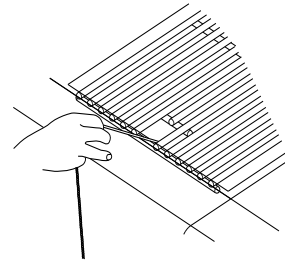
4. On doit pouvoir entendre le "crépitement" d'une étincelle. Lorsque le brûleur est allumé, lâcher le bouton. Tourner le bouton de commande au réglage désiré.
5. Répéter ce processus pour chaque brûleur à allumer.

Allumage manuel des brûleurs principaux

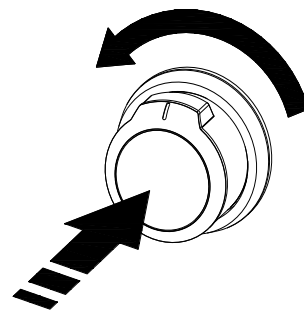
1. Ouvrir complètement le couvercle. Ne jamais allumer les brûleurs alors que le couvercle est fermé.
2. Ne pas se pencher au-dessus du grill.
3. Ôter le porte-allumette manuel (voir l'illustration suivante) et fixer une allumette sur l'anneau.



4. Frotter l'allumette pour l'allumer.
5. Placer l'allumette allumée sous la grille du grill.



6. Pour le brûleur le plus proche de l'allumette allumée, enfoncer et faire tourner le bouton du brûleur à "🔥" (allumage). Le brûleur s'allume immédiatement. Lorsque le brûleur est allumé, tourner le bouton jusqu'au réglage désiré.



7. Répéter les étapes 2 à 6 pour chaque brûleur principal.
8. Retirer l'allumette; réinstaller le porte-allumette à l'intérieur de la porte du placard.

IMPORTANT:

Si un brûleur ne s'allume pas immédiatement, ramener le bouton du robinet à la position d'arrêt "O" et attendre 5 minutes avant une nouvelle tentative.

Si l'un des brûleurs ne s'allume pas immédiatement après que l'on a tenté de l'allumer manuellement, contacter le Centre de service à la clientèle. Voir la section "Assistance ou Service".

Utilisation du brûleur de tournebroche

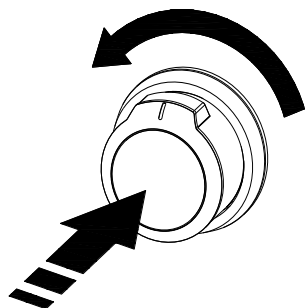
Un ensemble de tourne broche peut être acheté comme accessoire pour le gril. Voir "Accessoires" dans la section "Assistance".

Afin d'éviter d'endommager la grille-réchaud, la retirer du gril lors de l'utilisation du brûleur de tournebroche.

Ne pas utiliser les brûleurs principaux lorsque le brûleur de tournebroche est en cours d'utilisation.

Allumage du brûleur du tournebroche

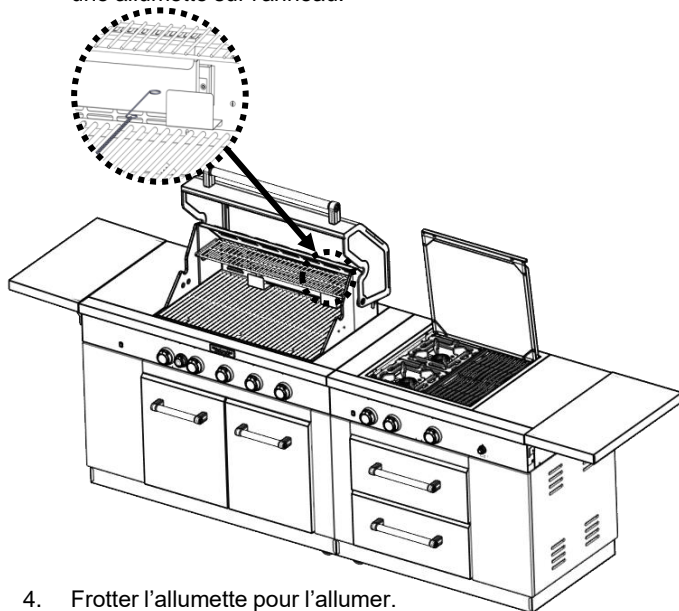
1. Retirer le couvercle du brûleur principal. Ne pas allumer un brûleur lorsque le couvercle est en place.
2. Ne pas se pencher au-dessus du gril.
3. Enfoncer et faire tourner le bouton de commande du brûleur du gril pour le placer à la position "●" (allumage) et maintenir le bouton enfoncé.



IMPORTANT: Si un brûleur ne s'allume pas immédiatement, ramener le bouton du brûleur à la position d'arrêt "O" et attendre 5 minutes avant une nouvelle tentative d'allumage.

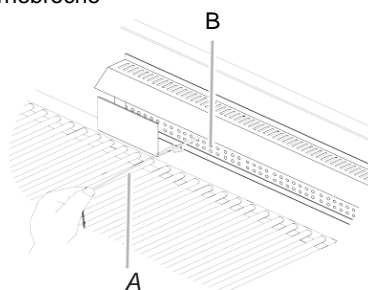
Allumage manuel du brûleur du tournebroche

1. Ouvrez complètement le capot. Ne pas allumer les brûleurs lorsque le capot est fermé.
2. Ne pas se pencher au-dessus du gril.
3. Ôter le porte-allumette (voir l'illustration suivante) et fixer une allumette sur l'anneau.



4. Frotter l'allumette pour l'allumer.

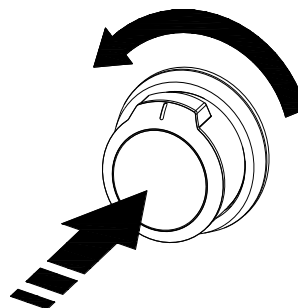
5. Approcher doucement l'allumette du brûleur du tournebroche



A. Porte-allumette

B. Brûleur du tournebroche

6. Pour le brûleur le plus proche de l'allumette allumée, enfoncer et faire tourner le bouton du brûleur à la position "●" (allumage). Le brûleur s'allume immédiatement. Lorsque le brûleur est allumé, tourner le bouton jusqu'au réglage désiré.



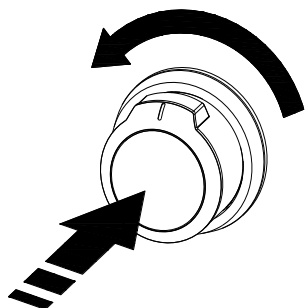
IMPORTANT: Si un brûleur ne s'allume pas immédiatement, ramener le bouton du robinet à la position d'arrêt "O" et attendre 5 minutes avant une nouvelle tentative.

6. Retirer l'allumette et replacer le porte-allumette à l'intérieur de la porte du placard.

Utilisation de votre brûleur à infrarouge

Allumage du brûleur à infrarouge

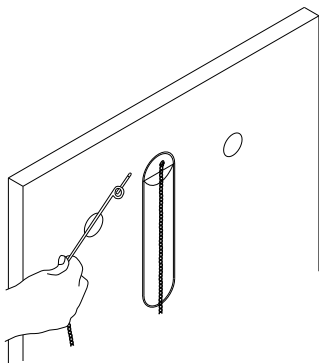
1. Retirer le couvercle du brûleur à infrarouge. Ne pas allumer un brûleur lorsque le couvercle est en place.
2. Ne pas se pencher au-dessus du gril.
3. Enfoncer et faire tourner le bouton de commande du brûleur du gril pour le placer à la position "●" (allumage) et maintenir le bouton enfoncé.



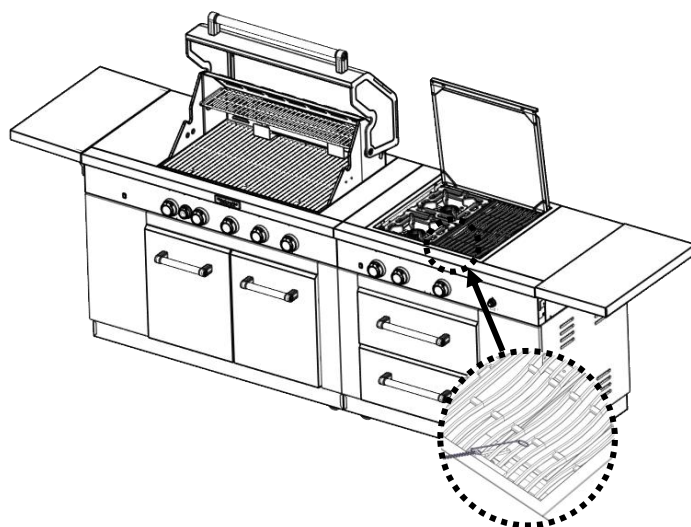
IMPORTANT: Si un brûleur ne s'allume pas immédiatement, ramener le bouton du brûleur à la position d'arrêt "O" et attendre 5 minutes avant une nouvelle tentative d'allumage.

Allumage manuel du brûleur à infrarouge

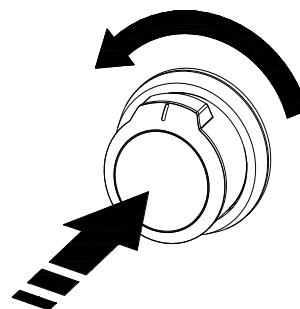
1. Ouvrez complètement le capot. Ne pas allumer les brûleurs lorsque le capot est fermé.
2. Ne pas se pencher au-dessus du gril.
3. Ôter le porte-allumette (voir l'illustration suivante) et fixer une allumette sur l'anneau.



4. Frotter l'allumette pour l'allumer.
5. Maintenir l'allumette allumée à proximité du brûleur à infrarouge.



6. Pour le brûleur le plus proche de l'allumette allumée, enfoncer et faire tourner le bouton du brûleur à la position "●" (allumage). Le brûleur s'allume immédiatement. Lorsque le brûleur est allumé, tourner le bouton jusqu'au réglage désiré.



7. Répéter les étapes 3 à 6 pour chaque brûleur.
8. Retirer l'allumette; réinstaller le porte-allumette manuel sur le panneau de droite.

IMPORTANT:

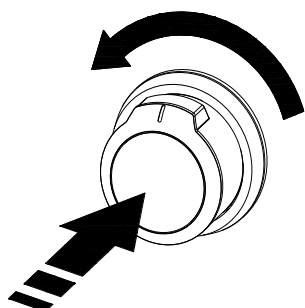
Si un brûleur ne s'allume pas immédiatement, ramener le bouton du robinet à la position d'arrêt "O" et attendre 5 minutes avant une nouvelle tentative.

Si l'un des brûleurs ne s'allume pas immédiatement après que l'on a tenté de l'allumer manuellement, contacter le Centre de service à la clientèle. Voir la section "Assistance".

Utilisation de votre brûleur laterial

Allumage du brûleur laterial

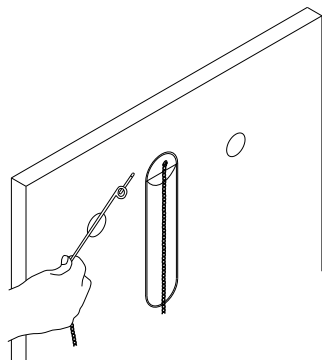
1. Retirer le couvercle du brûleur laterial. Ne pas allumer un brûleur lorsque le couvercle est en place.
2. Ne pas se pencher au-dessus du gril.
3. Enfoncer et faire tourner le bouton de commande du brûleur du gril pour le placer à la position "🔥" (allumage) et maintenir le bouton enfoncé.



IMPORTANT: Si un brûleur ne s'allume pas immédiatement, ramener le bouton du brûleur à la position d'arrêt "O" et attendre 5 minutes avant une nouvelle tentative d'allumage.

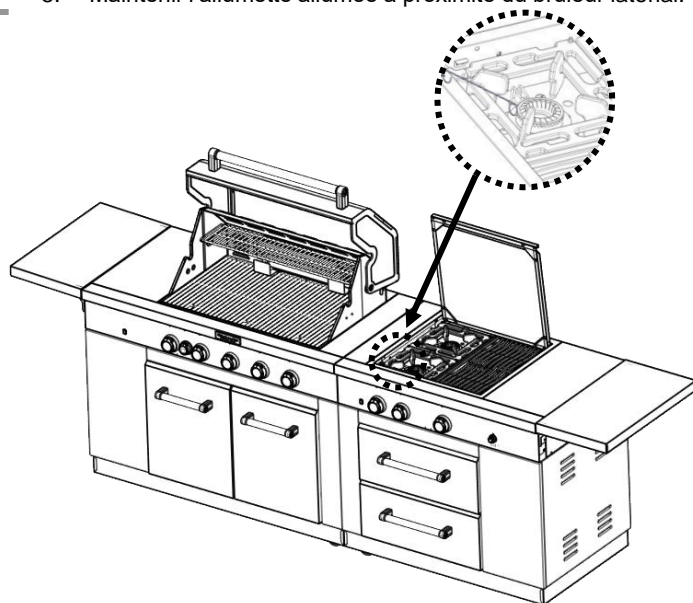
Allumage manuel du brûleur laterial

1. Ouvrez complètement le capot. Ne pas allumer les brûleurs lorsque le capot est fermé.
2. Ne pas se pencher au-dessus du gril.
3. Ôter le porte-allumette (voir l'illustration suivante) et fixer une allumette sur l'anneau.

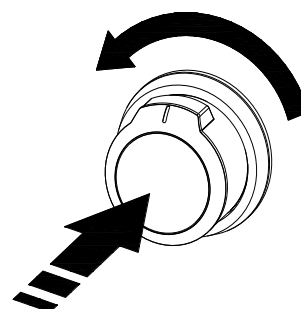


4. Frotter l'allumette pour l'allumer.

5. Maintenir l'allumette allumée à proximité du brûleur laterial.



6. Pour le brûleur le plus proche de l'allumette allumée, enfoncer et faire tourner le bouton du brûleur à la position "🔥" (allumage). Le brûleur s'allume immédiatement. Lorsque le brûleur est allumé, tourner le bouton jusqu'au réglage désiré.



7. Répéter les étapes 3 à 6 pour chaque brûleur.
8. Retirer l'allumette; réinstaller le porte-allumette manuel sur le panneau de droite.

IMPORTANT:

Si un brûleur ne s'allume pas immédiatement, ramener le bouton du robinet à la position d'arrêt "O" et attendre 5 minutes avant une nouvelle tentative.

Si l'un des brûleurs ne s'allume pas immédiatement après que l'on a tenté de l'allumer manuellement, contacter le Centre de service à la clientèle. Voir la section "Assistance".

CONSEILS POUR L'UTILISATION DU GRIL D'EXTÉRIEUR

⚠ AVERTISSEMENT

Risque d'empoisonnement alimentaire

Ne pas laisser des aliments reposer plus d'une heure avant ou après la cuisson.

Le non-respect de cette instruction peut causer un empoisonnement alimentaire ou une maladie.

Avant d'utiliser le grill

- Décongeler les aliments avant de les faire griller.
- Préchauffer le grill au débit thermique maximum (utiliser tous les brûleurs du grill) pendant 10 minutes. Durant la phase de préchauffage, le couvercle du grill doit être fermé. Pour le préchauffage, il n'est pas nécessaire d'utiliser le brûleur de la rôtissoire. Le préchauffage génère la température élevée nécessaire pour le brunissage d'un morceau de viande et la rétention des jus.
- Réduire la durée de la phase de préchauffage avant la cuisson au grill de morceaux de viande ou de volaille à forte teneur en graisse, telles que les cuisses de poulet. Ceci réduira les montées de flammes.
- Huiler légèrement les grilles du grill ou les aliments en cas de cuisson de morceaux de viande, de poisson ou de volaille à faible teneur en gras, tels que des galettes de viande hachée maigre, des crevettes ou des poitrines de poulet sans peau.
- Des cendres grises risquent de se déposer sur les aliments en cas d'excès d'huile.
- Enlever l'excès de gras des viandes avant la cuisson afin de réduire les flammes.
- Effectuer des coupes verticales à intervalles de 5 cm / 2 po autour des parties grasses sur les côtés de la viande pour éviter qu'elle ne se recroqueville.
- Attendre la fin de la cuisson pour ajouter l'assaisonnement ou le sel.

Pendant l'utilisation du grill

- Retourner les aliments une seule fois. Les jus sont perdus lorsque la viande est retournée plusieurs fois.
- Retourner la viande lorsque les jus commencent à apparaître à la surface.
- Éviter de percer ou de couper les viandes afin d'en évaluer la cuisson. Ceci permet aux jus de s'échapper.
- Il peut être nécessaire de réduire le réglage de température pour les aliments qui cuisent pendant une longue période ou qui sont marinés ou arrosés d'une sauce sucrée.
- En cas d'utilisation d'une flamme élevée, ajouter de la sauce barbecue seulement au cours des 10 dernières minutes de la cuisson afin d'éviter de faire brûler la sauce.
- Le degré de cuisson varie en fonction du type de viande, de la coupe de la viande (taille, forme et épaisseur), du réglage de température sélectionné et de la durée de cuisson au grill.
- La durée de cuisson sera plus longue avec le couvercle de grill ouvert.

Méthodes de cuisson

Chauffage direct

La cuisson par chauffage direct signifie que l'aliment est placé sur les grilles du grill directement au-dessus des brûleurs allumés. La position du couvercle peut être ouverte ou fermée. Si le couvercle est en position ouverte, la durée totale de cuisson sera peut-être plus longue.

Le chauffage direct saisit les aliments. Le rôtissage correspond à un processus qui retient les jus naturels dans les aliments grâce à une cuisson à chaleur intense pendant une courte durée. Alors que les jus restent dans l'aliment, l'extérieur est doré pour former un enrobage grillé savoureux.

Chauffage indirect

Pour des résultats optimaux, ne pas sélectionner la méthode de cuisson par chauffage indirect lorsqu'il y a du vent.

La cuisson par chauffage indirect signifie que l'aliment est placé sur la grille du grill au-dessus d'un brûleur non alimenté, ce qui permet à la chaleur provenant du/des brûleur(s) allumé(s) à proximité de cuire l'aliment.

Allumer 2 brûleurs. Faire cuire avec le couvercle rabattu. Ceci réduira la durée de cuisson.

Conseils de cuisson à l'aide du tournebroche

⚠ AVERTISSEMENT

Risque d'empoisonnement alimentaire

Ne pas laisser des aliments reposer plus d'une heure avant ou après la cuisson.

Le non-respect de cette instruction peut causer un empoisonnement alimentaire ou une maladie.

Le tournebroche fait tourner l'aliment devant le brûleur du tournebroche, ce qui crée une chaleur intense pour saisir l'extérieur et sceller les jus naturels à l'intérieur.

Le brûleur du tournebroche atteint les températures de cuisson en 1 minute environ. Aucun préchauffage n'est nécessaire avant l'utilisation du tournebroche.

- Choisir de la viande et de la volaille tendres.
- Laisser au moins 2,5 cm / 1 po d'espace entre le brûleur du tournebroche et les aliments.
- Pour faciliter le nettoyage, placer un récipient sous l'aliment pour récupérer les renversements.
- Attendre les 10 dernières minutes de cuisson pour ajouter la sauce barbecue ou le glaçage pour empêcher que la sauce ne brûle.

Troussage de la volaille pour utilisation du tournebroche

1. Char ger la tige de la broche en faisant glisser l'une des fourchettes sur la tige, avec les pointes orientées vers l'intérieur. Serrer la vis pour l'empêcher de glisser.
2. Enfoncer la tige à travers le centre de la volaille.
3. Découper 61 cm / 24 po de ficelle de boucher et la centrer sous la volaille, poitrine vers le haut.
4. Enrouler chaque extrémité de la ficelle autour des ailes; saisir chaque pointe d'aile. Maintenir fermement les deux extrémités de la ficelle sur la partie supérieure de la poitrine et faire un nœud. Il n'est pas nécessaire de couper le fil supplémentaire.
5. Découper une autre portion de ficelle de 50,8 cm / 20 po et la placer sous le dos de la volaille. L'enrouler autour de la queue puis autour de la tige de la broche, en serrant fermement.
6. Croiser les pattes sur la partie supérieure de la tige de la broche; nouer la ficelle autour des pattes croisées.
7. Reunir la ficelle retenant les pattes à la ficelle retenant les ailes et faire un nœud. Couper l'excédent de ficelle. Faire glisser sur la seconde fourchette en enfonçant les pointes dans les pilons.
8. Centrer l'aliment et les fourchettes sur la tige et serrer les vis. La volaille doit être bien en place sur la tige de la broche du tournebroche.

Tableau pour tournebroche

Utiliser un thermomètre à viande portatif pour vérifier la cuisson interne de l'aliment.

Éteindre le brûleur du tournebroche lorsque le thermomètre à viande indique 3° C / 5° F de moins que la température interne désirée. Continuer la rotation, couvercle fermé, pendant 10 minutes avant de procéder au découpage.

La durée de cuisson varie en fonction des conditions météorologiques (vent, température extérieure, etc.).

Aliment	Poids	Cuisson interne ou température (° C / ° F)	Durée approximative de cuisson au grill (min/lb)
Bœuf			
Rôtis	1.5-	Saignant - à point	15-20
Faux-filet	2.2 kg	(83° C / 145° F)	
Pointe de surlonge	/ 4-6 lbs	Moyenne	20-25
Côte, désossée		(71° C / 160° F)	
Volaille			
Poulet	1.1-	Poitrine	20-25
	2.2 kg	(77° C / 170° F)	
	/ 3-6 lbs	Cuisse	20-25
		(82° C / 160° F)	
Dinde, entière	2.8-	Poitrine	11-20
	3.7 kg	(77° C / 170° F)	
	/ 7-10	Cuisse	11-20
	lbs	(82° C / 160° F)	
Agneau			
Gigot désossé	1.5-	Moyenne	20-25
	2.6 kg	(71° C / 160° F)	
	/ 4-7 lbs		
Porc			
Rôti de longe, désossé	1.5-	Moyenne	20-23
	2.2 kg	(71° C / 160° F)	
	/ 4-6 lbs		

Tableau de Cuisson au Gril

- Les boutons comportent les réglages High (élevée), Medium (moyenne) et Low (faible) pour le réglage des flammes.
- Les réglages de chaleur sont indiqués de façon approximative.
- Les durées de cuisson au gril peuvent varier en fonction des conditions météorologiques.
- Lorsque 2 températures sont indiquées, par exemple : Medium (moyenne) à Medium-Low (moyenne-faible), commencer par la première et ajuster en fonction de la progression de la cuisson.
- Les durées de cuisson peuvent varier en fonction des durées indiquées dans le tableau en fonction du type de combustible utilisé (gaz naturel ou propane).

ALIMENT	MÉTHODE DE CUISSON/RÉGLAGE DU BRÛLEUR	TEMP. INTERNE	DURÉE (total minutes)	INSTRUCTIONS SPÉCIALES
Bœuf				
Hamburgers de 1,3 cm / ½ po à 1,9 cm ¾ po d'épaisseur	DIRECT Moyenne	Moyenne (71° C / 160° F)	10-15	Griller, retourner une fois.
Rôtis Faux-filet, surlonge	INDIRECT Moyenne/ARRÊT/ Moyenne	Moy-saignante (63° C / 145° F) à moyenne (71° C / 160° F)	15-18 par kg / 32-40 par lb	Recouvrir de papier d'aluminium pendant les 45 à 60 premières minutes de cuisson.
Steaks, 2,5 cm / 1 po Aloyau, côte, contre-filet, surlonge	DIRECT Moyenne	Moy-saignante (63° C / 145° F) à moyenne (71° C / 160° F)	11-16	Faire pivoter les steaks de ¼ de tour pour créer des marques de gril croisées.
Steaks, 3,8 cm / 1½ po Aloyau, côte, contre-filet, surlonge	DIRECT Moyenne	Moy-saignante (63° C / 145° F) à moyenne (71° C / 160° F)	18-25	
Intérieur de ronde ou épaule/bloc d'épaule (London Broil) de 3,8 cm / 1½ po d'épaisseur	DIRECT Moyenne	Moy-saignante (63° C / 145° F) à moyenne (71° C / 160° F)	22-29	
Flanc de 1,3 cm / ½ po d'épaisseur	DIRECT Moyenne	Moy-saignante (63° C / 145° F)	11-29	
Porc				
Côtelettes, 2,5 cm / 1 po 3,8 cm / 1½ po d'épaisseur	DIRECT Moyenne à moyenne-faible	Moyenne (71° C / 160° F)	12-22 30-40	Griller, retourner occasionnellement. Au cours des quelques dernières minutes, enduire de sauce barbecue si désiré. Lorsque c'est cuit, emballer dans du papier d'aluminium.
Côtes 0,9 à 1,5 kg / 2½ à 4 lb	INDIRECT Moy./ARRÊT/moy.	Moyenne (71° C / 160° F)	40-60	Retourner pendant la cuisson pour dorer tous les côtés.
Rôti, filet désossé, 1 lb / 0,37 kg	DIRECT Moyenne	Moyenne (71° C / 160° F)	18-22	Emballer l'intégralité du jambon dans du papier d'aluminium et placer sur le gril sans récipient ou plateau d'égouttement.
Demi-jambon 3 à 3,7 kg / 8 à 10 lb	INDIRECT Moy./ARRÊT/moy.	Réchauffage (60° C / 140° F)	2 à 2 h 30	
Steak de jambon précuit, 1,3 cm / ½ po d'épaisseur	DIRECT Préchauffage - moyenne Gril - moyenne	Réchauffage (63° C / 145° F)	7-10	
Hot dogs	DIRECT Moyenne	Réchauffage (63° C / 145° F)	5-10	Entailler la peau si désiré
Poulet				
Poitrine, désossée	DIRECT Moyenne	77° C / 170° F	15-22	Pour une cuisson uniforme, attendrir la poitrine à 2,0 cm / ¾ po d'épaisseur.
Morceaux, 0,75 à 1,1 kg / 2 à 3 lb	DIRECT Moy-faible à moyenne	Poitrine 77° C / 170° F Cuisse 82° C / 180° F	15-22	Commencer avec le côté os vers le bas.

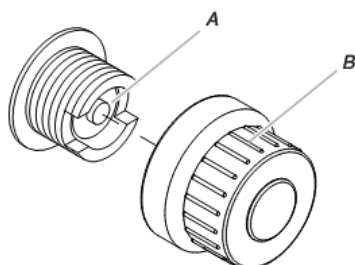
ALIMENT	MÉTHODE DE CUISSON/RÉGLAGE DU BRÛLEUR	TEMP. INTERNE	DURÉE (total minutes)	INSTRUCTIONS SPÉCIALES
Agneau				
Côtelettes et steaks, Longe, côte, surlonge, 2,5 cm / 1 po d'épaisseur	DIRECT Moyenne	Moy-saignante (63° C / 145° F) à moyenne (71° C / 160° F)	10-20	
3,8 cm / 1½ po d'épaisseur	DIRECT Moyenne	Moy-saignante (63° C / 145° F) à moyenne (71° C / 160° F)	16-20	
Poisson et fruits de mer				
Filets, darnes, gros morceaux Flétan, saumon, espadon, 0,25 kg / 8 oz	DIRECT Moyenne		4 à 6 par 3,8 cm / 1½ po d'épaisseur de poisson	Griller, retourner une fois. Enduire la grille d'huile pour empêcher le poisson d'attacher. Retirer du feu lorsque l'intérieur est opaque et floconneux et que la peau s'enlève facilement.
Entier, poisson-chat, truite arc-en-ciel, 0,25 à 0,34 kg / 8 à 11 oz	DIRECT Moyenne		5 à 7 par côté	
Mollusques et crustacés, pétoncles, crevettes	DIRECT Moyenne		4 à 8	
Dinde				
Poitrine entière (morceaux avec os)	INDIRECT ÉLEVÉE/ARRÊT/ÉLEVÉE	77° C / 170° F	7-8 par kg / 14-18 par lb	Recouvrir de papier aluminium jusqu'aux dernières 30 minutes de cuisson.
Demi-poitrine (morceaux avec os)	INDIRECT Moyenne/ARRÊT/moyenne	77° C / 170° F	11-13 par kg / 25-30 par lb	Commencer avec le côté peau vers le bas.
Entière 2,6 à 5,4 kg / 7 à 12 lb	INDIRECT ÉLEVÉE/ARRÊT/ÉLEVÉE	Poitrine 77° C / 170° F Cuisse 82° C / 180° F	5-7 par kg / 11-16 par lb	Moins de 5 kg / 11 lb.
Légumes frais				
Épi de maïs	DIRECT Moyenne		20-25	Faire tremper dans l'eau froide pendant 20 minutes. Ne pas retirer l'enveloppe de l'épi. Secouer pour éliminer l'excès d'eau.
Aubergine	DIRECT Moyenne		7-10	Laver et couper en tranches de 1,3 cm / ½ po ou dans le sens de la longueur. Enduire d'huile d'olive.
Oignon, 1,3 cm / ½ po d'épaisseur	DIRECT Moyenne		8-20	Griller, retourner une fois. Enduire d'huile d'olive. Enfiler plusieurs tranches sur une brochette pour les maintenir ensemble.
Pommes de terre, Patates douces, entières	DIRECT Moyenne		40-70	Emballer individuellement dans du papier d'aluminium résistant. Griller, faire pivoter occasionnellement.
Pommes de terre au four, entières	DIRECT Élevée		45-90	
Poivrons, rôtis	DIRECT Élevée		15-22	Laver et placer entier sur le gril. Carboniser la peau tout autour. Laisser refroidir dans un sac en papier ou une pellicule de plastique pour dégager la peau noircie. Peler et retirer les pépins.
Courge, courge d'été, courgette	DIRECT Moyenne		7-10	Laver et couper en tranches de 1,3 cm / ½ po ou dans le sens de la longueur. Enduire d'huile d'olive.
Ail Rôti	DIRECT Moyenne		20-25	Couper la partie supérieure, arroser légèrement d'huile d'olive et emballer dans une double couche de papier d'aluminium.

ENTRETIEN DU GRIL D'EXTÉRIEUR

Remplacement de la pile de l'allumeur

Si les allumeurs ne génèrent plus d'étincelles, la pile doit être remplacée.

1. Le bouton capuchon de l'allumeur est situé à l'extérieur du panneau latéral droit du grill.
2. Dévisser le couvercle du bouton d'allumage dans le sens antihoraire pour l'enlever.



A. Pile de format "AA"
B. Couvercle d'allumeur

3. Retirer la pile du compartiment à piles.
4. La remplacer par une pile alcaline neuve de format "AA". Installer la pile en insérant l'extrémité négative en premier.
5. Revisser le couvercle du bouton d'allumage.

Nettoyage Général

IMPORTANT: Avant le nettoyage, s'assurer que toutes les commandes sont éteintes et que le grill a refroidi. Toujours suivre les instructions figurant sur les étiquettes des produits de nettoyage.

Pour le nettoyage de routine, laver à l'eau savonneuse à l'aide d'un chiffon doux ou d'une éponge. Rincer à l'eau propre et sécher immédiatement à l'aide d'un chiffon doux, sans charpie, afin d'éviter les taches et coulées.

Ne pas utiliser de laine d'acier pour nettoyer le grill, car ceci égratignera la surface.

Utiliser la housse de grill afin d'éviter que le fini ne subisse de dommages liés aux intempéries.

ACIER INOXYDABLE

IMPORTANT: Afin d'éviter d'endommager les surfaces en acier inoxydable, ne pas utiliser de tampons à récurer savonneux, de nettoyants abrasifs, de crème à polir pour table de cuisson, de tampons en laine d'acier, de chiffons de lavage rêches ou d'essuie-tout.

Les produits de nettoyage ne doivent pas contenir de chlore. Des dommages peuvent survenir.

Les renversements d'aliments doivent être nettoyés dès que le grill a entièrement refroidi.

Les renversements peuvent causer une décoloration permanente.

Méthode de nettoyage :

- Frotter dans la direction du grain pour éviter d'égratigner ou d'endommager la surface.
- Nettoyant pour acier inoxydable
- Détergent liquide ou nettoyant tout-usage :
- Rincer à l'eau propre et sécher avec un chiffon doux sans charpie.
- Vinaigre pour éliminer les taches d'eau dure.

- Nettoyant à vitre pour éliminer les traces de doigts.

GRILLES DU GRIL

IMPORTANT: Immédiatement après que vous avez terminé la cuisson, mettre tous les brûleurs à haute pour 10-15 minutes avec le capot fermé à brûler les résidus alimentaires. Désactiver tous les brûleurs, soulever le capot et le laisser refroidir les caillebotis. Après refroidissement complet, d'un grill racks peuvent être enlevé pour un nettoyage en profondeur. Les nettoyer avec un détergent doux et d'eau chaude. Pour les restes de nourriture cuite, préparer une solution de 240 mL / 1 tasse de l'ammoniac à 3,75 litre / 1 gal. d'eau. Imbiber caillebotis pendant 20 minutes, puis rincer avec de l'eau et sécher complètement.

GRILLE-RÉCHAUD

Méthode de nettoyage :

- Détergent liquide ou nettoyant tout-usage.
- Rincer à l'eau propre et sécher avec un chiffon doux sans charpie.
- Pour les tâches difficiles ou la graisse cuite, utiliser un produit dégraissant

IMPORTANT: Vérifier que l'alimentation en gaz est coupée et que tous les boutons de commande sont à la position Off (arrêt).

EXTÉRIEUR

La qualité de ce matériau résiste à la plupart des taches et piqûres de corrosion dès lors que la surface est maintenue propre et protégée.

Méthode de nettoyage :

- Appliquer le poli pour acier inoxydable sur toutes les zones non dédiées à la cuisson avant la première utilisation. Appliquer de nouveau après chaque nettoyage pour éviter d'endommager la surface de façon permanente.
- Le nettoyage doit toujours être suivi d'un rinçage à l'eau tiède propre. Essuyer complètement la surface à l'aide d'un chiffon doux.
- Pour les taches tenaces et la graisse ayant adhéré à la cuisson, utiliser un dégraissant commercial conçu pour l'acier inoxydable.

INTÉRIEUR

On doit s'attendre à une décoloration de l'acier inoxydable sur ces pièces, du fait de la chaleur intense provenant des brûleurs. Toujours frotter dans la direction du grain. Le nettoyage doit toujours être suivi d'un rinçage à l'eau tiède propre.

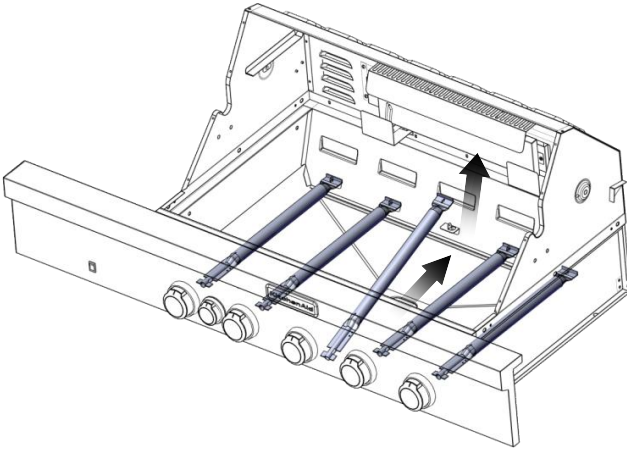
Méthode de nettoyage :

- Détergent liquide ou nettoyant tout-usage.
- Rincer à l'eau propre et sécher complètement avec un chiffon doux sans charpie.
- Une éponge à gratter robuste peut être utilisée avec des produits détergents doux.
- Pour les petites zones difficiles à nettoyer, utiliser un dégraissant pour service intense conçu pour l'acier inoxydable.

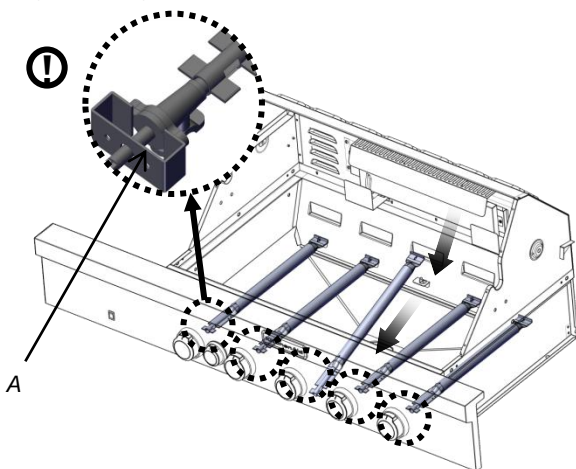
BRÛLEURS

Méthode de nettoyage :

- Nettoyer l'extérieur du brûleur à l'aide d'une brosse métallique.
 - Dégager tout orifice de brûleur obstrué avec une agrafe redressée.
 - Ne pas utiliser de cure-dent car celui-ci pourrait se briser et obstruer le gicleur.
 - Vérifier et nettoyer les tubes du brûleur/de la buse.
1. Ôter les grilles du gril et les régulateurs de flamme.
 2. Retirez les 2 vis et la goupille fendue fixant le brûleur. Retirez le brûleur de gaz du gril.



3. Utiliser une lampe de poche pour inspecter l'intérieur du brûleur par l'intermédiaire de l'entrée du brûleur pour vérifier qu'il n'y a pas de blocage. En cas d'obstruction, utiliser un cintre métallique redressé pour éliminer l'obstruction.
4. Après avoir inspecté l'intérieur du brûleur pour s'assurer de l'absence d'obstruction, réassembler le brûleur en faisant glisser le tube du milieu du brûleur à gaz au-dessus du gicleur de gaz.



A. Burner / connexion orifice

5. Réinstaller le brûleur à gaz à l'aide d'une vis.

BRÛLEUR À INFRAROUGE

Méthode de nettoyage :

- Nettoyez l'extérieur du brûleur latéral avec une brosse métallique.

BRÛLEUR DE TOURNEBROCHE

Méthode de nettoyage:

1. Allumer le brûleur de tournebroche. Voir la section "Utilisation du brûleur de tournebroche".
2. Fermer le couvercle du gril.
3. Laisser le brûleur à haute température pendant environ 30 minutes.
4. Tourner le bouton sur OFF et laisser refroidir complètement.
5. Brossez les particules de cendres du brûleur de tournebroche.

BRÛLEUR LATÉRIAL

Méthode de nettoyage :

- Nettoyez l'extérieur du brûleur latéral avec une brosse métallique.

LA TASSE DE GRAISSE

IMPORTANT: La tasse de graisse ne doit être retiré que lorsque le gril a complètement refroidi. La tasse de graisse pleine large recueille la graisse et les particules alimentaires qui tombent à travers le gril. Le nettoyer souvent pour empêcher l'accumulation de graisse.

Méthode de nettoyage :

- Ôter la tasse et le poser sur une surface plane.
- Essuyer l'excès de graisse avec de l'essuie-tout.
- Détergent doux et eau tiède. Rincer et sécher soigneusement.
- Réinstaller la tasse

BOUTONS ET REBORD DES BOUTONS

IMPORTANT: Afin d'éviter d'endommager les boutons de commande ou les zones périphériques, ne pas utiliser de laine d'acier, de nettoyants abrasifs ou de nettoyant pour four. Ne pas immerger les boutons de commande.

Méthode de nettoyage :

- Détergent doux, chiffon doux et eau tiède.
- Rincer et sécher.

ILLUSTRATIONS DU TABLEAU DE COMMANDE

IMPORTANT: Afin d'éviter d'endommager les indications du tableau de commande, ne pas utiliser de laine d'acier, de nettoyants abrasifs ou de nettoyant pour four. Ne pas vaporiser le nettoyant directement sur le tableau.

Méthode de nettoyage :

- Nettoyer doucement autour des étiquettes des brûleurs; le frottement pourrait effacer les indications.
- Détergent doux, chiffon doux et eau tiède.
- Rincer et sécher.

DÉPANNAGE

Le gril ne s'allume pas

- **Le robinet de la bouteille de propane de 20 lb est-il fermé?**
Ouvrir la bouteille de propane de 20 lb.
- **Le gril est-il bien raccordé à la canalisation de gaz?**
Contacter un technicien de réparation qualifié ou voir les instructions d'installation.
- **Le niveau de gaz dans la bouteille de propane de 20 lb est-il faible?**
Vérifier le niveau de gaz.
- **L'allumeur fonctionne-t-il?**
Vérifier que la pile de l'allumeur est correctement installée ou qu'elle ne doit pas être changée. Voir la section "Remplacement de la pile de l'allumeur".
Vérifier si l'allumeur s'allume avec une allumette. Voir "Allumage manuel du gril principal" dans la section "Utilisation du gril d'extérieur".
Vérifier qu'il n'y a pas de connexions mal raccordées au niveau de l'allumeur ou des électrodes.
Vérifier que les électrodes ne sont pas obstruées par des résidus.
Si une étincelle se produit à un autre endroit que l'extrémité de l'allumeur, remplacer l'allumeur.

La flamme du brûleur ne reste pas allumée

- **L'alimentation en gaz est-elle complètement ouverte?**
Vérifier que la bouteille de propane de 20 lb est complètement ouverte.
- **Le niveau de gaz dans la bouteille de propane de 20 lb est-il faible?**
Vérifier le niveau de gaz.
- **Le brûleur est-il correctement installé et en bon état?**
Vérifier que le brûleur est correctement installé. Vérifier l'absence de défauts dans le brûleur.

La flamme fait du bruit, est faible ou irrégulière

- **L'alimentation en gaz est-elle complètement ouverte?**
Vérifier que la bouteille de propane de 20 lb est complètement ouverte.
- **Le niveau de gaz dans la bouteille de propane de 20 lb est-il faible?**
Vérifier le niveau de gaz.
- **Un seul des brûleurs semble-t-il faible?**
Vérifier et nettoyer les orifices de brûleurs s'ils sentent des bouches ou sales. Voir la section "nettoyage et entretien".
- **Le tuyau de l'alimentation en gaz est-il plié ou déformé?**
Redresser le tuyau d'alimentation.
- **La flamme fait-elle du bruit ou se détache-t-elle du brûleur?**
Le brûleur reçoit peut-être trop d'air. Vérifier le réglage de l'admission d'air; voir la section "Contrôle et réglage des brûleurs".
- **La flamme du brûleur est-elle principalement jaune ou orange?**
Le gril se trouve peut-être dans un endroit trop venté ou pas suffisamment aéré. Vérifier que les orifices d'admission d'air du brûleur ne sont pas obstrués. Vérifier le réglage de l'admission d'air; voir la section "Contrôle et réglage des brûleurs".

Montées de flamme excessives

- **Les aliments que vous grillez contiennent-ils beaucoup de graisse?**
Garder un niveau de flamme faible ou éteindre un brûleur. Garder le couvercle en position ouverte lors de l'utilisation du gril pour éviter des montées de flamme excessives. Placer les aliments sur la grille-réchaud jusqu'à ce que la taille des flammes rétrécisse.
Afin d'éviter d'endommager le gril, ne pas asperger les flammes avec de l'eau.

Chaleur faible

Gaz propane :

Pour les grils d'extérieur fonctionnant avec une bouteille de propane de 20 lb, ouvrir doucement le robinet de gaz.

REMARQUE : En cas d'activation d'un dispositif de limitation du débit de gaz, le gril peut ne pas s'allumer. Si le brûleur du gril parvient à s'allumer, la taille des flammes sera réduite de même que le débit thermique.

1. Fermer le robinet de la bouteille et tous les robinets du gril et attendre 30 secondes.
2. Après avoir fermé le robinet de la bouteille, le rouvrir très lentement et attendre 5 secondes avant de procéder à l'allumage.
3. N'allumer qu'un brûleur à la fois. Voir la section "Allumage du gril principal".

Gaz naturel :

La taille et la longueur de la canalisation allant du domicile au gril influent sur la pression du gaz. Contacter un technicien qualifié pour l'installation de la canalisation d'alimentation en gaz naturel jusqu'à l'emplacement choisi pour le gril, en conformité avec les prescriptions de la plus récente édition du National Fuel Gas Code ANSI Z223.1/NFPA 54 et des codes locaux.

ASSISTANCE

Avant de faire un appel pour obtenir de l'assistance, vérifier la section "Dépannage". Si vous avez encore besoin d'aide, suivez les instructions ci-dessous.

Pour votre appel, veuillez connaître la date d'achat et les numéros de modèle et de série complets de votre appareil. Ces renseignements nous aideront à mieux répondre à votre demande.

Si vous avez besoin de pièces de rechange

Pour toute question ou pour obtenir des pièces de rechange, contacter le service clientèle au **1-877-373-2301**.

Prière d'adresser tout courrier à :

Nexgrill Industries, Inc.
14050 Laurelwood Pl, Chino, CA 91710

Veuillez indiquer dans votre correspondance un numéro de téléphone où l'on peut vous joindre dans la journée.

Accessoires

Ensemble de conversion au gaz naturel

Commander la pièce numéro 710-0003

Ensemble de tournebroche

Commander la pièce numéro 790-0007A

GARANTIE LIMITÉE (Modèle no 860/870-0003B)

Nexgrill garantit uniquement au consommateur-acquéreur que ce produit (modèle n° 860/870-0003B) sera exempt de tout défaut de fabrication et de matériau après un assemblage correct et dans des conditions d'utilisation domestique normales et raisonnables pour les périodes indiquées ci-dessous, à compter de la date d'achat. Le fabricant se réserve le droit d'exiger des preuves photographiques des dommages, ou que les pièces défectueuses soient renvoyées tout port payé par le consommateur, pour examen.

Brûleurs tubulaires en acier inoxydable : Garantie LIMITÉE de 10 ans contre toute perforation; **autres brûleurs:** 1 an.

Grilles : Garantie LIMITÉE de 1 an; ne couvre pas tout dommage lié à une chute, écaillage, éraflage ou endommagement de la surface.

Pièces en acier inoxydable : Garantie LIMITÉE de 3 ans contre toute perforation; ne couvre pas les problèmes esthétiques tels que la corrosion, les éraflures et la rouille.

Toutes les autres pièces : Garantie LIMITÉE de un an (y compris, sans limitation, vannes, bâti, enceinte, chariot, tableau de commande, allumeur, détendeur, tuyaux flexibles); ne couvre pas tout écaillage, éraflage, craquellement de la surface par corrosion, éraflures ou par la rouille.

Sur présentation d'une preuve d'achat (fournie avec la présente) par le consommateur, le fabricant réparera ou remplacera les pièces qui se sont avérées défectueuses, durant la période de garantie applicable. Le coût des pièces nécessaires à l'exécution de ladite réparation ou dudit remplacement sera pris en charge par nos soins, hormis les frais d'expédition, dans la mesure où l'acheteur reste dans la période de garantie commençant à partir de la date d'achat d'origine. Tous frais d'expédition des pièces remplacées en vertu des conditions de la présente garantie limitée seront à la charge du consommateur-acquéreur initial. Cette garantie limitée s'applique uniquement aux États-Unis, Canada uniquement, ne peut être utilisée que par le propriétaire d'origine du produit et n'est pas cessible. Le fabricant exige une preuve d'achat valable. En conséquence, vous devez conserver votre reçu de vente et (ou) votre facture. Si l'appareil a été offert en cadeau, veuillez demander à la personne l'ayant offert d'expédier le reçu en votre nom, à l'adresse ci-dessous. Aucune pièce défectueuse ou manquante soumise à cette garantie limitée ne sera remplacée sans enregistrement ou preuve d'achat. Cette garantie limitée s'applique UNIQUEMENT à la fonctionnalité de ce produit et ne couvre aucun problème esthétique tel les éraflures, indentations, corrosions ou décolorations liées à la chaleur, à l'emploi de nettoyants abrasifs et chimiques ou de tout outil utilisé pour l'assemblage ou l'installation du produit, l'apparition de rouille sur la surface, ou la décoloration des surfaces en acier inoxydable. Dans la mesure où ils n'affectent pas l'intégrité structurale du produit, la présence de rouille ou de corrosion sur la surface, ou l'écaillage de la peinture en poudre sur les pièces métalliques ne sont pas considérés comme des défauts de fabrication ou de matériau et ne sont pas couverts par cette garantie. Cette garantie limitée ne vous remboursera pas les frais liés à tout préjudice physique ou moral, dommages alimentaires ou matériel quelconques. Si une pièce de rechange d'origine n'est pas disponible, une pièce de rechange comparable vous sera expédiée. Tous frais d'expédition des pièces remplacées en vertu des stipulations de cette garantie limitée seront à votre charge.

LE FABRICANT NE PRENDRA PAS EN CHARGE :

- Les visites de service à votre domicile.
- Les réparations lorsque le produit est utilisé à des fins autres que l'usage unifamilial normal ou en résidence.
- Les dommages imputables à : accident, modification, usage impropre ou abusif, manque d'entretien/nettoyage insuffisant, incendie, inondation, actes de Dieu, installation fautive ou installation non conforme aux codes d'électricité ou de plomberie ou utilisation de produits non approuvés par le fabricant.
- Toute perte alimentaire en raison d'une défaillance du produit.
- Le coût des pièces de rechange et de la main-d'oeuvre de réparation pour les appareils utilisés hors des États-Unis ou du Canada.
- L'enlèvement et la livraison du produit.
- Les frais d'affranchissement ou de développement de photos liés aux photos envoyées comme documentation.
- Les réparations effectuées sur les pièces ou systèmes résultant d'une modification non autorisée apportée au produit.
- L'enlèvement et (ou) la réinstallation du produit.
- Les frais d'expédition, en envoi standard ou express, pour les éléments couverts ou non par la garantie et pour les pièces de rechange.

CLAUSE D'EXONÉRATION DE RESPONSABILITÉ AU TITRE DES GARANTIES IMPLICITES; LIMITATION DES RECOURS

La réparation ou le remplacement des pièces défectueuses constitue l'unique recours du propriétaire en vertu des conditions de la présente garantie limitée. Le fabricant n'assume aucune responsabilité pour tout dommage fortuit ou indirect entraîné par la violation de la présente garantie limitée ou de toute garantie implicite applicable, ou pour toute défectuosité ou dommage entraîné(e) par des actes de Dieu, un mauvais entretien, un feu de graisse, un accident, une modification, le remplacement de pièces par toute autre personne que le fabricant, une mauvaise utilisation, le transport, une utilisation commerciale, un usage abusif, des conditions environnementales détritantes (intempéries, phénomènes naturels, altération causée par des animaux), une installation incorrecte ou non conforme aux codes locaux ou aux instructions fournies par le fabricant.

LA PRÉSENTE GARANTIE LIMITÉE CONSTITUE L'UNIQUE GARANTIE EXPRESSE FOURNIE PAR LE FABRICANT. QUEL QUE CE SOIT L'ENDROIT OÙ ELLE APPARAÎT, AUCUNE SPÉCIFICATION OU DESCRIPTION DE PERFORMANCE DU PRODUIT N'EST GARANTIE PAR LE FABRICANT, HORMIS DANS LA MESURE ÉTABLIE PAR LA PRÉSENTE GARANTIE LIMITÉE. TOUTE PROTECTION CONTRE UNE GARANTIE IMPLICITE EXISTANT EN VERTU DES LOIS D'UN ÉTAT, Y COMPRIS LES GARANTIES IMPLCITES DE QUALITÉ MARCHANDE OU D'APTITUDE À UN USAGE PARTICULIER EST LIMITÉE DANS SA DURÉE PAR LA PRÉSENTE À LA DURÉE DE VALIDITÉ DE CETTE GARANTIE LIMITÉE.

Ni les distributeurs ni l'établissement de détail qui vendent ce produit n'ont autorité à accorder des garanties additionnelles ou de promettre des recours venant en complément ou allant à l'encontre des garanties énoncées ci-dessus. Quelles que soient les circonstances, la responsabilité maximale du fabricant ne s'étend pas au-delà du prix d'achat avéré du produit payé par le consommateur d'origine. Cette garantie s'applique uniquement aux appareils achetés auprès d'un détaillant et (ou) d'un revendeur autorisé(s).

REMARQUE : Certains États ne permettent pas l'exclusion ou la limitation des dommages fortuits ou indirects, de sorte que les limitations ou exclusions ci-dessus peuvent ne pas s'appliquer dans votre cas; cette garantie limitée vous confère des droits spécifiques tels que mentionnés aux présentes. Droits peut varier selon l'endroit où votre résidence.

Si vous souhaitez obtenir l'application de toute obligation établie par la présente garantie limitée, veuillez écrire à l'adresse suivante :

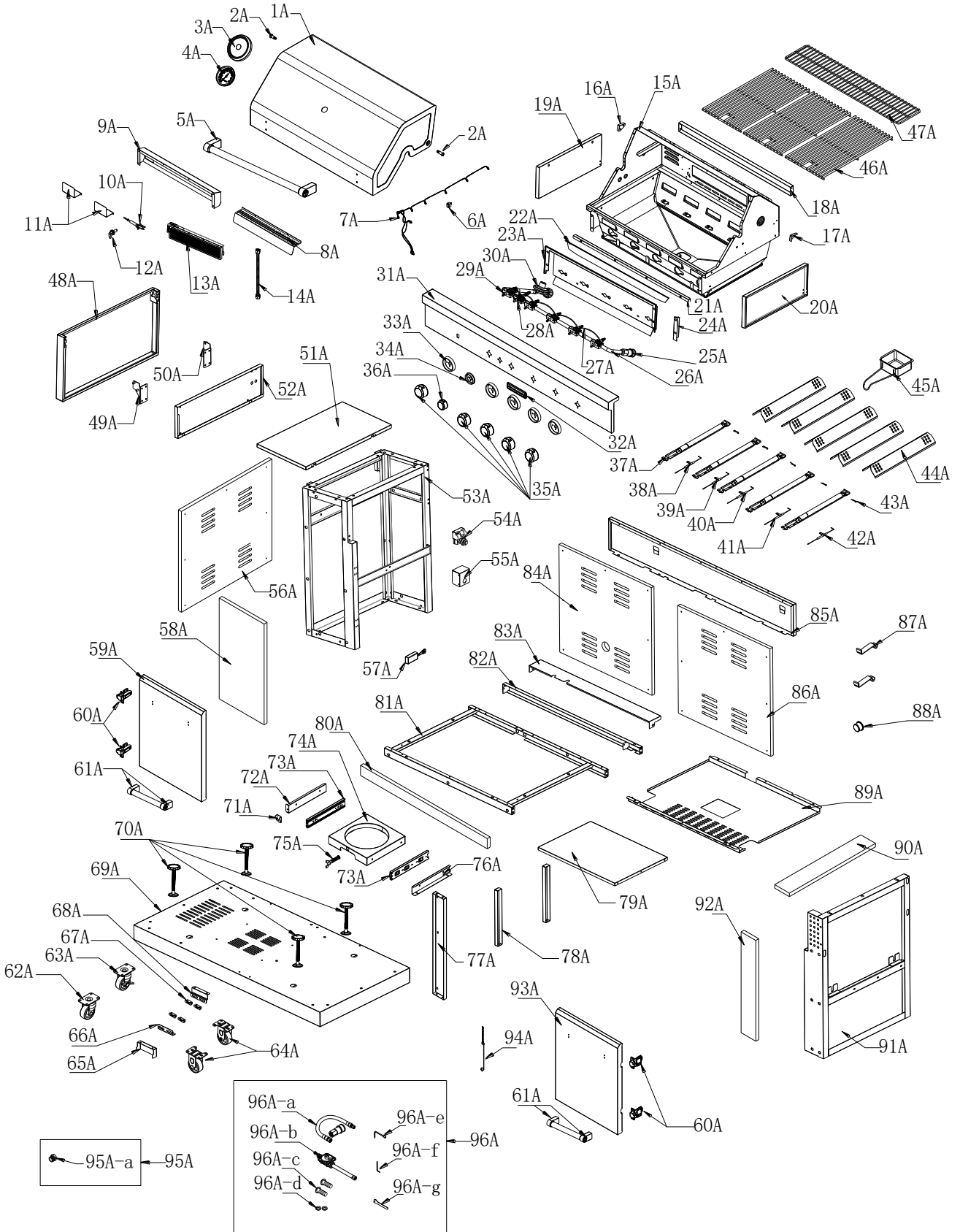
**Nexgrill Customer Relations
14050 Laurelwood PI
Chino, CA 91710**

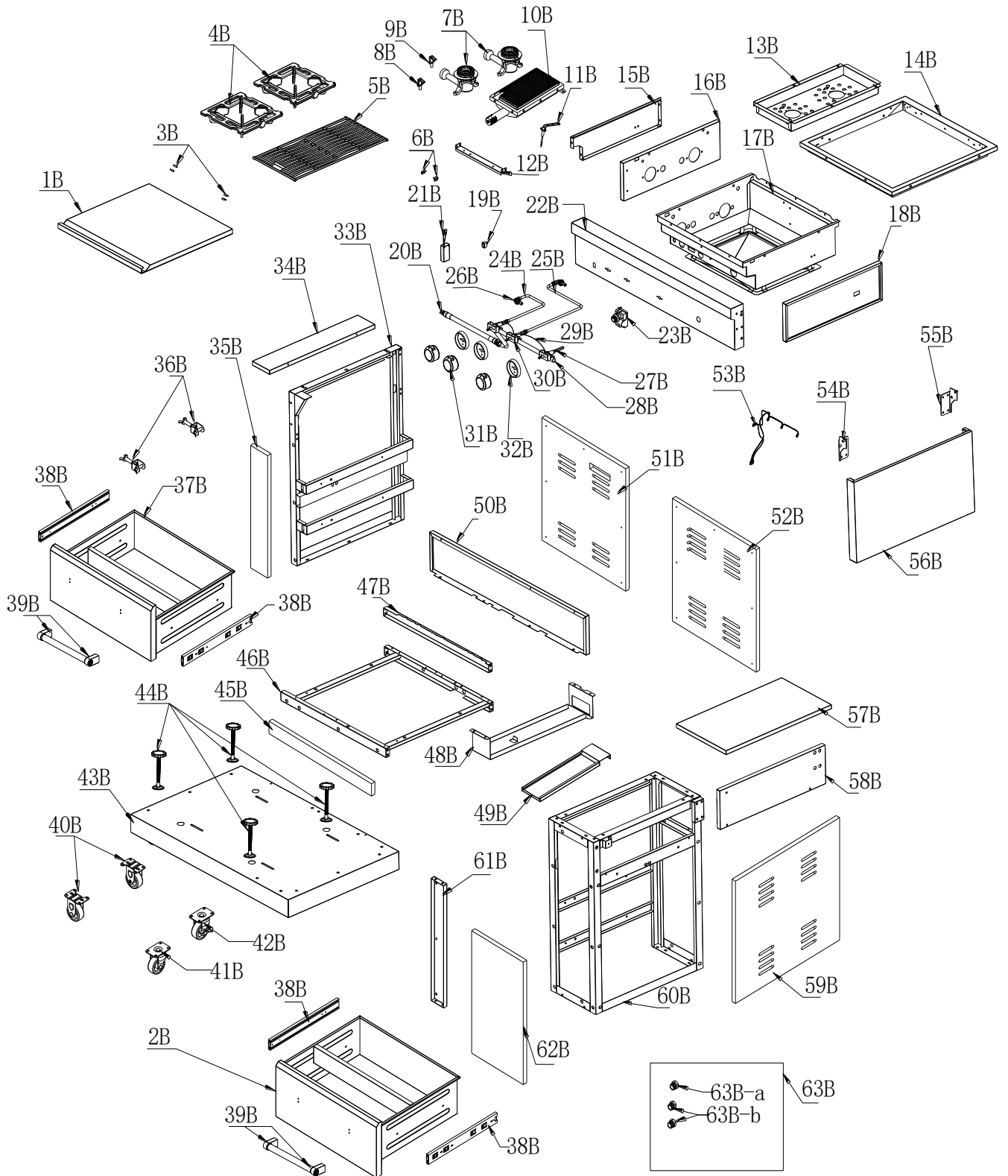
. Toutes les demandes de remboursement, commandes de pièces, questions d'ordre général et assistance dépannage du consommateur peuvent être obtenues en appelant le 1-877-373-2301.

Replacement Parts see Page 104

Piezas de Reemplazo ver Pagina 107

Remplacement Pieces voir Page 110





Parts List

No.	Part (Description)	Warranty coverage (year)	QTY	No.	Part (Description)	Warranty coverage (year)	QTY
1A	Main lid	3	1	36A	Control Knob B (small)	1	1
2A	Main lid screw	1	2	37A	Main burner	10	5
3A	Temperature gauge housing	1	1	38A	Main burner igniter wire A	1	1
4A	Temperature gauge	1	1	39A	Main burner igniter wire B	1	1
5A	Main lid handle assembly	1	1	40A	Main burner igniter wire C	1	1
6A	LED light switch	1	1	41A	Main burner igniter wire D	1	1
7A	LED light	1	1	42A	Main burner igniter wire E	1	1
8A	Rotisserie burner heat shield	1	1	43A	Burner pin assembly	1	5
9A	Rotisserie burner rear cover	1	1	44A	Flame tamer	3	5
10A	Rotisserie burner igniter wire	1	1	45A	Grease cup	1	1
11A	Rotisserie burner igniter bracket	1	2	46A	Cooking grid with hole	3	3
12A	Rotisserie burner orifice w/brass elbow	1	1	47A	Warming rack	3	1
13A	Rotisserie burner	1	1	48A	Foldable side shelf, left	3	1
14A	Rotisserie burner flex gas line	1	1	49A	Foldable side shelf Bracket A	3	1
15A	Main burner bowl assembly	Non-replaceable	1	50A	Foldable side shelf Bracket B	3	1
16A	Main bowl assembly flange, left	1	1	51A	Side shelf, left	3	1
17A	Main bowl assembly flange, right	1	1	52A	Cart trim piece , left	3	1
18A	Main burner bowl supporter, rear	1	1	53A	Cart frame assembly, left	1	1
19A	Main firebox trim piece, left	3	1	54A	Electric igniter module	1	1
20A	Main firebox trim piece, right	3	1	55A	Electric igniter module heat shield	1	1
21A	Firebox trim piece	3	1	56A	Faux stone side panel, left	1	1
22A	Firebox heat shield	1	1	57A	Battery box	1	1
23A	Front baffle	1	1	58A	Faux stone front panel, left	1	1
24A	Front baffle bracket	1	1	59A	Door, left	3	1
25A	Gas quick connector	1	1	60A	Door hinge	1	4
26A	Main manifold	1	1	61A	Door handle assembly	1	2
27A	Igniter junction wire	1	1	62A	Swivel caster	1	1
28A	Rotisserie gas valve	1	1	63A	Swivel caster with brake	1	1
29A	Main gas valve	1	5	64A	Caster	1	2
30A	Regulator, LP	1	1	65A	Door magnet heat shield panel	1	1
31A	Main control panel	3	1	66A	Door stopper	1	1
32A	Logo	1	1	67A	Door magnet	1	4
33A	Bezel A	1	5	68A	Door magnet plate A	1	1
34A	Bezel B (small)	1	1	69A	Bottom panel	1	1
35A	Control knob A	1	5	70A	Leveling feet adjusted handle	1	4

Parts List

No.	Part (Description)	Warranty coverage (year)	QTY	No.	Part (Description)	Warranty coverage (year)	QTY
71A	Gas tank block piece	1	1	90A	Side shelf, right	3	1
72A	Gas tank slide bracket, left	1	1	91A	Cart frame assembly, right	1	1
73A	Gas tank slide	1	2	92A	Faux stone front panel, right	1	1
74A	Tank tray	1	1	93A	Door, right	3	1
75A	Tank tray bolt	1	1	94A	Lighting rod	1	1
76A	Gas tank slide bracket, right	1	1	95A	NG orifice pack	1	1
77A	Cart frame supporter, rear	1	1	95A-a	Rotisserie burner NG orifice	1	1
78A	Cart central panel supporter	1	2	96A	NG conversion kit	Sold separately as set	
79A	Cart central panel	1	1	96A-a	NG gas hose with quick connector assembly	Sold separately as set#96A	1
80A	Faux stone front panel, top	1	1	96A-b	NG regulator assembly		1
81A	Cart frame assembly, middle	1	1	96A-c	Truss head screw with lock		2
82A	Cart frame connector	1	1	96A-d	Flat washer		2
83A	Main firebox trim piece, rear	3	1	96A-e	6mm nut driver		1
84A	Faux stone back panel, left	1	1	96A-f	6mm Hex wrench		1
85A	Cart trim piece, rear	3	1	96A-g	6mm wrench		1
86A	Faux stone back panel, right	1	1		Grill cover	1	1
87A	Bracket	3	2		Manual		1
88A	NG hole rubber plug	1	1		Preassembly hardware pack		1
89A	Cart heat shield panel	1	1				

Parts List

No.	Part (Description)	Warranty coverage (year)	QTY	No.	Part (Description)	Warranty coverage (year)	QTY
1B	Side burner lid	3	1	34B	Side shelf, left	3	1
2B	Drawer assembly, bottom	1	1	35B	Faux stone front panel, left	1	1
3B	Side burner lid hinge assembly	1	4	36B	Locking bar	1	2
4B	Side burner cooking grid	1	2	37B	Drawer assembly, top	1	1
5B	Sear burner cooking grid	1	1	38B	Drawer slide	1	4
6B	Cooking grid bracket	1	2	39B	Drawer handle assembly	1	2
7B	Side burner	1	2	40B	Caster	1	2
8B	Side burner igniter wire A	1	1	41B	Swivel caster	1	1
9B	Side burner igniter wire B	1	1	42B	Swivel caster with brake	1	1
10B	Sear burner	1	1	43B	Bottom panel	1	1
11B	Sear burner igniter wire	1	1	44B	Leveling feet adjusted handle	1	4
12B	Sear burner support	1	1	45B	Faux stone front panel, top	1	1
13B	Side burner cabinet	Non-replaceable	1	46B	Cart frame assembly, middle	1	1
14B	Side burner bowl frame	3	1	47B	Cart frame connector	1	1
15B	Side burner bowl clapboard	1	1	48B	Grease tray bracket	1	1
16B	Side burner bowl supporter, left	1	1	49B	Grease tray	1	1
17B	Side burner bowl assembly	Non-replaceable	1	50B	Cart trim piece, rear	3	1
18B	Side burner bowl supporter, left	1	1	51B	Faux stone back panel, left	1	1
19B	LED light switch	1	1	52B	Faux stone back pane, right	1	1
20B	Side burner flex gas line A	1	1	53B	LED light	1	1
21B	Battery box	1	1	54B	Foldable side shelf Bracket B	3	1
22B	Side control panel	3	1	55B	Foldable side shelf Bracket A	3	1
23B	Electric igniter module	1	1	56B	Foldable side shelf, right	3	1
24B	Side burner flex gas line B	1	1	57B	Side shelf, right	3	1
25B	Side burner flex gas line C	1	1	58B	Cart trim piece, right	3	1
26B	Side burner orifice w/ brass elbow	1	2	59B	Faux stone side panel, right	3	1
27B	Sear burner gas valve	1	1	60B	Cart frame assembly, right	1	1
28B	Side burner manifold	1	1	61B	Cart frame supporter, rear	1	1
29B	Igniter junction wire	1	1	62B	Faux stone front panel, right	1	1
30B	Side burner gas valve	1	2	63B	NG orifice pack	1	1
31B	Control knob	1	3	63B-a	Sear burner NG orifice	1	1
32B	Bezel	1	3	63B-b	Side burner NG orifice	1	2
33B	Cart frame assembly, left	1	1				

Lista de partes

No.	Cobertura de garantía (año)	Cobertura de garantía (año)	CANT.	No.	Cobertura de garantía (año)	Cobertura de garantía (año)	CANT.
1A	Tapa principal	3	1	33A	Bisel A	1	5
2A	Tornillo de la tapa principal	1	2	34A	Bisel B (pequeño)	1	1
3A	Carcasa del medidor de temperatura	1	1	35A	Perilla de control A	1	5
4A	Medidor de temperatura	1	1	36A	Perilla de control B (pequeña)	1	1
5A	conjunto principal mango de la tapa	1	1	37A	Quemador principal	10	5
6A	Interruptor de luz LED	1	1	38A	Cable del encendedor del quemador principal A	1	1
7A	Luz LED	1	1	39A	Cable del encendedor del quemador principal B	1	1
8A	Pantalla térmica del quemador trasero	1	1	40A	Cable del encendedor del quemador principal C	1	1
9A	Cubierta trasera del quemador de roscería	1	1	41A	Cable del encendedor del quemador principal D	1	1
10A	Cable de encendido del quemador del asador	1	1	42A	Cable del encendedor del quemador principal E	1	1
11A	Soporte del encendedor del quemador del asador	1	2	43A	Montaje del perno del quemador	1	5
12A	Orificio del quemador del asador con codo metálico	1	1	44A	Domador de llama	3	5
13A	quemador del asador	1	1	45A	Recipiente para grasa	1	1
14A	Línea de gas flexible para el quemador del asador	1	1	46A	Rejilla de cocción con agujero	3	3
15A	Ensamble de la cuba del quemador principal	No reemplazable	1	47A	Plataforma calentadora	3	1
16A	Principal brida de conjunto de tazón, izquierda	1	1	48A	Estante lateral plegable, izquierda	3	1
17A	Principal brida de conjunto de tazón, derecha	1	1	49A	Lateral plegable soporte de estante A	3	1
18A	Soporte trasero de la cuba del quemador principal	1	1	50A	Lateral plegable soporte de estante B	3	1
19A	Moldura izquierda del fogón principal	3	1	51A	Estante lateral, lado izquierdo	3	1
20A	Moldura derecha del fogón principal	3	1	52A	Moldura derecho de imitación piedra	3	1
21A	Moldura lateral del fogón	3	1	53A	Ensamblaje del armazón izquierdo del carro	1	1
22A	Protector de calor del fogón	1	1	54A	Módulo del encendedor electrónico	1	1
23A	Compuerta delantera	1	1	55A	Pantalla térmica del módulo del encendedor eléctrico	1	1
24A	Soporte de deflector delantero	1	1	56A	Panel lateral izquierdo de imitación piedra	1	1
25A	Conector rápido de gas	1	1	57A	Caja de batería	1	1
26A	Colector principal	1	1	58A	Panel frontal izquierdo de imitación piedra	1	1
27A	Cable de empalme del encendedor	1	1	59A	Puerta, lado izquierdo	3	1
28A	Válvula de gas del asador	1	1	60A	Gozne de la puerta	1	4
29A	Válvula de gas principal	1	5	61A	Conjunto de mango de la puerta	1	2
30A	Regulador, del propano líquido	1	1	62A	Rueda giratoria	1	1
31A	Panel de control principal	3	1	63A	Rueda giratoria con freno	1	1
32A	Logotipo	1	1	64A	Rueda	1	2

Lista de partes

No.	Cobertura de garantía (año)	Cobertura de garantía (año)	CANT.	No.	Cobertura de garantía (año)	Cobertura de garantía (año)	CANT.
65A	Panel de protección contra el calor imán de la puerta	1	1	86A	Panel trasero derecho de imitación piedra	1	1
66A	Tope de puerta	1	1	87A	Abrazadera	3	2
67A	Imán para la puerta	1	4	88A	Tapón de goma del agujero de NG	1	1
68A	Placa magnética de la puerta A	1	1	89A	Panel de protección contra el calor de la carreta	1	1
69A	Panel inferior	1	1	90A	Estante lateral derecho	3	1
70A	Mango ajustado para nivelar las patas	1	4	91A	Ensamblaje del armazón derecho del carro	1	1
71A	Pieza de bloqueo del tanque de gas	1	1	92A	Panel frontal derecho de imitación piedra	1	1
72A	Ménsula deslizable izquierda del tanque de gas	1	1	93A	Puerta, lado derecho	3	1
73A	Deslizador de la bandeja del tanque de gas	1	2	94A	Varilla de encendido	1	1
74A	Bandeja del tanque	1	1	95A	Parte de entrada de gas natural	1	1
75A	Perno para la bandeja del tanque	1	1	95A-a	Orificio de NG del asador	1	1
76A	Ménsula deslizable derecha del tanque de gas	1	1	96A	Kit de conversión NG	Se vende por separado como conjunto	
77A	Soporte trasero del armazón del carro	1	1	96A-a	Manguera de gas natural con ensamble de conector rápido	Se vende por separado como juego con #96A	1
78A	Soporte del panel central del carro	1	2	96A-b	Ensamble del regulador de gas natural		1
79A	Panel central del carro	1	1	96A-c	Tornillo de cabeza ovalada con bloqueo		2
80A	Panel frontal superior de imitación piedra	1	1	96A-d	Arandela plana		2
81A	Ensamblaje del armazón medio del carro	1	1	96A-e	Botaperno de 6 mm		1
82A	Conector del armazón del carro	1	1	96A-f	Llave hexagonal de 6mm		1
83A	Moldura trasera del fogón principal	3	1	96A-g	Llave inglesa de 6 mm		1
84A	Panel trasero izquierdo de imitación piedra	1	1		Cubierta de la parrilla	1	1
85A	Estante lateral, la cuba	3	1		Manual		1
					Pre montaje de paquete de equipos		1

Lista de partes

No.	Pieza (Descripción)	Cobertura de garantía (año)	QTY	No.	Pieza (Descripción)	Cobertura de garantía (año)	CANT.
1B	Tapa del quemador lateral	3	1	34B	Estante lateral, lado izquierdo	3	1
2B	Ensamblaje del cajón, inferior	1	1	35B	Panel frontal izquierdo de imitación piedra	1	1
3B	Varilla de bisagra de la tapa del quemador lateral abrasador	1	4	36B	Barra de bloqueo	1	2
4B	Rejilla de cocción del quemador lateral	1	2	37B	Ensamblaje del cajón superior	1	1
5B	Rejilla de cocción del quemador lateral abrasador	1	1	38B	Deslizadera del cajón	1	4
6B	Rejilla de cocción del quemador lateral	1	2	39B	Conjunto del mango del cajón	1	2
7B	quemador lateral	1	2	40B	Rueda	1	2
8B	Cable A del encendedor del quemador lateral	1	1	41B	Rueda giratoria	1	1
9B	Cable B del encendedor del quemador lateral	1	1	42B	Rueda giratoria con freno	1	1
10B	quemador de marcado	1	1	43B	Panel inferior	1	1
11B	Cable del encendedor del quemador lateral	1	1	44B	Mango ajustado para nivelar las patas	1	4
12B	soporte del quemador para dorar	1	1	45B	Panel frontal superior de imitación piedra	1	1
13B	Gabinete del quemador lateral	No reemplazable	1	46B	Ensamblaje del armazón medio del carro	1	1
14B	Marco del tazón del quemador lateral	3	1	47B	Conector del armazón del carro	1	1
15B	La tablilla del tazón del quemador lateral	1	1	48B	Bandeja para grasa	1	1
16B	Soporte lateral izquierdo de la cuba del quemador	1	1	49B	Bandeja para grasa	1	1
17B	El conjunto del vaso del quemador lateral abrasador	No reemplazable	1	50B	Moldura trasera del carro	3	1
18B	Soporte lateral derecho de la cuba del quemador	1	1	51B	Panel trasero izquierdo de imitación piedra	1	1
19B	Interruptor de luz LED	1	1	52B	Panel trasero derecho de imitación piedra	1	1
20B	Línea A de gas flexible para el quemador lateral	1	1	53B	Luz LED	1	1
21B	Caja de batería	1	1	54B	Foldable side shelf fix plate B	3	1
22B	Panel de control lateral	3	1	55B	Foldable side shelf fix plate A	3	1
23B	Módulo del encendedor electrónico	1	1	56B	Foldable side shelf	3	1
24B	Línea B de gas flexible para el quemador lateral	1	1	57B	Estante lateral derecho	3	1
25B	Línea C de gas flexible para el quemador lateral	1	1	58B	Moldura izquierda de imitación piedra	3	1
26B	Orificio del quemador lateral con codo metálico	1	2	59B	Panel lateral derecho de imitación piedra	3	1
27B	Válvula de gas del quemador de marcado	1	1	60B	Ensamblaje del armazón derecho del carro	1	1
28B	Colector del quemador lateral	1	1	61B	Soporte trasero del armazón del carro	1	1
29B	Cable de empalme del encendedor	1	1	62B	Panel frontal derecho de imitación piedra	1	1
30B	Válvula de gas del quemador lateral	1	2	63B	Parte de entrada de gas natural	1	1
31B	Perilla de control	1	3	63B-a	Orificio de NG del quemador de marcado	1	1
32B	Bisel	1	3	63B-b	Orificio de NG del quemador de lateral	1	2
33B	Ensamblaje del armazón izquierdo del carro	1	1				

Liste des pièces

N°	Part (Description)	Couverture de la garantie (année)	QTÉ	N°	Part (Description)	Couverture de la garantie (année)	QTÉ
1A	Couvercle principal	3	1	36A	Bouton de commande B (petit)	1	1
2A	Vis du couvercle principal	1	2	37A	Brûleur principal	10	5
3A	Boîtier de l'indicateur de température	1	1	38A	Fil d'allumage du brûleur principal A	1	1
4A	Indicateur de température	1	1	39A	Fil d'allumage du brûleur principal B	1	1
5A	assemblage principal de poignée du couvercle	1	1	40A	Fil d'allumage du brûleur principal C	1	1
6A	Interrupteur de lampe LED	1	1	41A	Fil d'allumage du brûleur principal D	1	1
7A	DEL	1	1	42A	Fil d'allumage du brûleur principal E	1	1
8A	Protecteur thermique du brûleur de la rôtisserie	1	1	43A	Ergot du brûleur	1	5
9A	Capot arrière du brûleur de rôtisserie	1	1	44A	Dispositif de contrôle des flammes	3	5
10A	Fil du dispositif d'allumage du brûleur de la rôtisserie	1	1	45A	Réceptacle à graisse	1	1
11A	Support de l'allumage du brûleur de rôtisserie	1	2	46A	Grille de cuisson avec trou	3	3
12A	Orifice du brûleur de la rôtisserie a/c coude en cuivre	1	1	47A	Grille chauffante	3	1
13A	Brûleur de rôtisserie	1	1	48A	Tablette latérale gauche, pliable	3	1
14A	Tuyau de gaz flexible du brûleur de rôtisserie	1	1	49A	Support de tablette latérale, A	3	1
15A	Assemblage du bol de brûleur principal	Non remplaçable	1	50A	Support de tablette latérale, B	3	1
16A	Butée gauche de couvercle principal	1	1	51A	Étagère latérale, gauche	3	1
17A	Butée droite de couvercle principal	1	1	52A	Pièce de garniture du chariot, gauche	3	1
18A	Support du bol du brûleur principal, arrière	1	1	53A	Cadre du chariot, gauche	1	1
19A	Pièce de garniture de la chambre de cuisson principale, gauche	3	1	54A	Module pour allumage électrique	1	1
20A	Pièce de garniture de la chambre de cuisson principale, droite	3	1	55A	Protecteur thermique du module d'allumage électrique	1	1
21A	Pièce de garniture de la chambre de cuisson	3	1	56A	Panneau latéral en faux-finis imitant la pierre, gauche	1	1
22A	Firebox heat shield	1	1	57A	Boîtier de batterie	1	1
23A	Chicane avant	1	1	58A	Panneau frontal en faux-finis imitant la pierre, gauche	1	1
24A	Front baffle bracket	1	1	59A	Charnière de porte	3	1
25A	Connecteur rapide de gaz	1	1	60A	Poignée de porte	1	4
26A	Collecteur principal	1	1	61A	Roulette pivotante	1	2
27A	Fil de jonction pour allumage	1	1	62A	Roulette pivotante avec frein	1	1
28A	Valve à gaz pour rôtisserie	1	1	63A	Roulette	1	1
29A	Valve de gaz principale	1	5	64A	Charnière de porte	1	2
30A	Régulateur, PL	1	1	65A	Aimant de porte de l'écran thermique	1	1
31A	Panneau de commande principal	3	1	66A	Butée de porte	1	1
32A	Logo	1	1	67A	Aimant de porte	1	4
33A	Collerette A	1	5	68A	Plaque aimant porte A	1	1
34A	Collerette B (petite)	1	1	69A	Panneau inférieur	1	1
35A	Bouton de commande A	1	5	70A	Poignée ajustant les pieds de nivelage	1	4

Liste des pièces

N°	Part (Description)	Couverture de la garantie (année)	QTÉ	N°	Part (Description)	Couverture de la garantie (année)	QTÉ
71A	Pièce de blocage de la bouteille de gaz	1	1	90A	Étagère latérale, droite	3	1
72A	Support coulissant de la bouteille de gaz, gauche	1	1	91A	Cadre du chariot, droit	1	1
73A	Glissière du plateau de la bouteille de gaz	1	2	92A	Panneau frontal en faux-finis imitant la pierre, droit	1	1
74A	Plateau de la bouteille	1	1	93A	Porte, droite	3	1
75A	Boulon du plateau de la bouteille	1	1	94A	Bâtonnet d'allumage	1	1
76A	Support coulissant de la bouteille de gaz, droit	1	1	95A	Garniture pour orifice de gaz naturel	1	1
77A	Support du cadre de chariot, arrière	1	1	95A-a	Orifice du gaz naturel du brûleur de la rôtisserie	1	1
78A	Support du panneau central du chariot	1	2	96A	Kit de conversion pour GN	Vendu séparément comme ensemble	
79A	Panneau central du chariot	1	1	96A-a	Tuyau de gaz naturel avec connecteur à branchement rapide	Vendu séparément en ensemble avec n°96A	1
80A	Faux stone front panel, top	1	1	96A-b	Régulateur du gaz naturel		1
81A	Cadre du chariot, milieu	1	1	96A-c	Vis à tête bombée avec blocage		2
82A	Connecteur du cadre du chariot	1	1	96A-d	Rondelle plate		2
83A	Pièce de garniture de la chambre de cuisson principale, arrière	3	1	96A-e	Tourne-écrou 6 mm		1
84A	Panneau arrière en faux-finis imitant la pierre, gauche	1	1	96A-f	Clé hexagonale 6mm		1
85A	Pièce de garniture du chariot, arrière	3	1	96A-g	Clé 6 mm		1
86A	Panneau arrière en faux-finis imitant la pierre, droit	1	1		Couvercle de la grille	1	1
87A	Support	3	2		Manuel		1
88A	Protecteur thermique du chariot	1	1		Paquet quincaillerie pour pré-assemblage		1
89A	Ecran thermique du chariot	1	1				

Liste des pièces

N°	Part (Description)	Couverture de la garantie (année)	QTÉ	N°	Part (Description)	Couverture de la garantie (année)	QTÉ
1B	Couvercle du brûleur latéral	3	1	34B	Étagère latérale, gauche	3	1
2B	Tiroir, fond	1	1	35B	Panneau frontal en faux-finis imitant la pierre, gauche	1	1
3B	Tige charnière du brûleur latéral de flambage	1	4	36B	Barre de verrouillage	1	2
4B	Grill de cuisson du brûleur latéral à infrarouge	1	2	37B	Tiroir, dessus	1	1
5B	Grill de cuisson du brûleur à infrarouge à infrarouge	1	1	38B	Glissière de tiroir	1	4
6B	Support de grille de cuisson	1	2	39B	Poignée de tiroir	1	2
7B	Brûleur latéral	1	2	40B	Roulette	1	2
8B	Fil A du dispositif d'allumage du brûleur latéral	1	1	41B	Roulette pivotante	1	1
9B	Fil B du dispositif d'allumage du brûleur latéral	1	1	42B	Roulette pivotante avec frein	1	1
10B	Brûleur à infrarouge	1	1	43B	Panneau inférieur	1	1
11B	Fil B du dispositif d'allumage du brûleur à infrarouge	1	1	44B	Poignée ajustant les pieds de nivelage	1	4
12B	Séparateur du brûleur à infrarouge	1	1	45B	Panneau supérieur avant en faux-finis imitant la pierre	1	1
13B	Armoire du brûleur latéral	Non remplaçable	1	46B	Cadre du chariot, milieu	1	1
14B	Cadre du foyer du brûleur latéral	3	1	47B	Connecteur du cadre du chariot	1	1
15B	Séparateur de foyer latéral	1	1	48B	Support du réceptacle à graisse	1	1
16B	Support du bol du brûleur latéral, gauche	1	1	49B	Plateau à graisse	1	1
17B	Cuve du brûleur latéral	Non remplaçable	1	50B	Pièce de garniture du chariot, arrière	3	1
18B	Séparateur de brûleurs latéraux, gauche	1	1	51B	Panneau arrière en faux-finis imitant la pierre, gauche	1	1
19B	Interrupteur de lampe LED	1	1	52B	Panneau arrière en faux-finis imitant la pierre, droit	1	1
20B	Tuyau souple à gaz du brûleur latéral, A	1	1	53B	DEL	1	1
21B	Boîtier de batterie	1	1	54B	Support de tablette latérale, B	3	1
22B	Panneau de commande latéral	3	1	55B	Support de tablette latérale, A	3	1
23B	Module pour allumage électrique	1	1	56B	Tablette latérale pliable	3	1
24B	Tuyau souple à gaz du brûleur latéral, B	1	1	57B	Étagère latérale, droite	3	1
25B	Tuyau souple à gaz du brûleur latéral, C	1	1	58B	Pièce de garniture du chariot, droit	3	1
26B	Orifice du brûleur à infrarouge a/c coude en cuivre	1	2	59B	Panneau latéral en faux-finis imitant la pierre, droit	3	1
27B	Vanne de gaz du brûleur à infrarouge	1	1	60B	Cadre du chariot, droit	1	1
28B	Collecteur du brûleur latéral	1	1	61B	Support du cadre de chariot, arrière	1	1
29B	Fil de jonction pour allumage	1	1	62B	Panneau frontal en faux-finis imitant la pierre, droit	1	1
30B	Vanne de gaz du brûleur latéral	1	2	63B	Garniture pour orifice de gaz naturel	1	1
31B	Bouton de commande	1	3	63B-a	Orifice du gaz naturel du brûleur à infrarouge	1	1
32B	Collerette	1	3	63B-b	Orifice du gaz naturel du brûleur latéral	1	2
33B	Cadre du chariot, gauche	1	1				

Distributed by:
Costco Wholesale Corporation
P.O. Box 34535
Seattle, WA 98124-1535
USA
1-800-774-2678
www.costco.com

Imported by / Importé par :
Costco Wholesale Canada Ltd.*
415 W. Hunt Club Road
Ottawa, Ontario
K2E 1C5,
1-800-463-3783
www.costco.ca

* faisant affaire au Québec sous
le nom Les Entrepôts Costco

Importado por:
Importadora Primex S.A. de C.V.
Blvd. Magnocentro No.4
San Fernando La Herradura
Huixquilucan, Estado de México
C.P. 52765
RFC: IPR-930907-S70
(55)-5246-5500
www.costco.com.mx

®/™ ©2016 KitchenAid. All rights reserved.
Manufactured under license by Nexgrill Industries, Inc., Chino, CA.
Limited warranty provided by manufacturer.

®/™ ©2016 KitchenAid. Todos los derechos reservados.
Fabricado bajo licencia por Nexgrill Industries, Inc., Chino, CA.
Garantía limitada provista por el fabricante.

®/™ ©2016 KitchenAid. Tous droits réservés.
Fabriqué sous licence par Nexgrill Industries, Inc., Chino, CA.
Garantie limitée fournie par le fabricant.

860/870-0003B

© 2016
All rights reserved.
Todos los derechos reservados.
Tous droits réservés.

10/16
Printed in China
Impreso en China
Im-primé en Chine