



OWNER'S GUIDE GUÍA DEL PROPIETARIO GUIDE DU PROPRIÉTAIRE

EVOLUTION INFRARED PLUS™



Grill Guide for
EVOLUTION
Infrared
PLUS™
included

OUTDOOR GAS GRILL

MODEL #720/730-0882A Pages **2-22**

PARRILLA DE GAS PARA EXTERIORES

MODELO #720/730-0882A Páginas **23-43**

GRIL À GAZ EXTÉRIEUR

MODÈLE 720/730-0882A Pages **44-64**



19000585A6

⚠ CALIFORNIA RESIDENTS ONLY - WARNING: This product and the fuels used to operate this product (liquid propane), and the products of combustion of such fuels, can expose you to chemicals including benzene, which is known to the State of California to cause cancer and reproductive harm. For more information, go to: www.P65Warnings.ca.gov.

In the State of Massachusetts, the following installation instructions apply:

- Installations and repairs must be performed by a qualified or licensed contractor, plumber, or gasfitter qualified or licensed by the State of Massachusetts.
- If using a ball valve, it shall be a T-handle type.
- A flexible gas connector, when used, must not exceed 3 feet.

SERIAL # _____ MFG. DATE _____ PURCHASE DATE: _____

NÚM. DE SERIE _____ FECHA DE MANUFACTURA _____ FECHA DE COMPRA _____

NUMÉRO DE SÉRIE _____ DATE DE FABRICATION _____ DATE D'ACHAT _____

- This instructions manual contains important information necessary for the proper assembly and safe use of the appliance.
- Read and follow all warnings and instructions before assembling and using the appliance.
- Keep this manual for future reference.



Questions, problems, missing parts? Before returning to your retailer, call our Customer Service Department at U.S.A.: 1-800-913-8999, 8 a.m. - 5 p.m., PST, Monday-Friday.

- **El presente manual de instrucciones contiene información importante que lo ayudará a armar el dispositivo correctamente y a utilizarlo de manera segura.**
- **Antes de armar y utilizar el dispositivo, lea y siga todas las advertencias e instrucciones.**
- **Conserve el presente manual para consultas futuras.**



¿Consultas, problemas, piezas que faltan? Antes de regresar al vendedor, comuníquese con nuestro departamento de Servicio al Cliente llamando al U.S.A:1-800-913-8999, de 8 a.m. a 5 p.m. de lunes a viernes. Asegúrese de tener disponible el número de serie, que se encuentra en la parte interna de la puerta frontal de su parrilla.

- **Ce manuel d'instructions contient d'importantes informations essentielles à un assemblage approprié et sécuritaire de l'appareil.**
- **Lire et respecter tous les avertissements et toutes les instructions avant l'assemblage et l'utilisation de l'appareil.**
- **Conserver ce manuel à titre de référence ultérieure.**



Des questions, des problèmes, des pièces manquantes? Avant de retourner l'article au détaillant, communiquez avec le service à la clientèle au U.S.A:1-800-913-8999, entre 8 h et 17 h HNP. Assurez-vous d'avoir votre numéro de série en main. Ce numéro se situe à l'intérieur de la porte avant de votre barbecue.

Table of Contents

Safety Instruction	3	Troubleshooting	12
Gas Hook-Up	7	Ordering Parts	14
Installer Final Check List	8	Grill Cooking Chart	14
Leak Testing	8	Grill Recipe Suggestion	16
Operating Instructions.	9	Limited Warranty	18
Grill Lighting Instructions	9	Natural Gas Conversion	19
EVOLUTION Infrared PLUS™ Cooking	10	Exploded View	65
Care and Maintenance.	11	Part List	66

⚠ DANGER

If you smell gas:

1. Shut off gas to the appliance.
2. Extinguish any open flame.
3. Open lid.
4. If odor continues, keep away from the appliance and immediately call your gas supplier or your fire department.

⚠ WARNING

1. Do not store or use gasoline or other flammable liquids or vapors in the vicinity of this or any other appliance.
2. An LP cylinder not connected for use shall not be stored in the vicinity of this or any other appliance.

⚠ DANGER

1. Never operate this appliance unattended.
2. Never operate this appliance within 10 ft (3 m) of any structure, combustible material or other gas cylinder.
3. Never operate this appliance within 25 ft (7.5 m) of any flammable liquid.
4. Do not fill cooking vessel beyond maximum fill line.
5. Heated liquids remain at scalding temperatures long after the cooking process. Never touch cooking appliance until liquids have cooled to 115°F (45°C) or less.
6. This appliance is not intended for and should never be used as a heater.
7. If a fire should occur, keep away from the appliance and immediately call your fire department. Do not attempt to extinguish an oil or grease fire with water.

⚠ Failure to comply with these instructions could result in a fire or explosion that could cause serious bodily injury, death, or property damage.

⚠ Combustion by products produced when using this product contain chemicals known to the States of California to cause cancer, birth defects, or other reproductive harm.

⚠ Your grill will be very hot. Never lean over the cooking area while using your grill. Do not touch cooking surfaces, grill housing, lid or any other grill parts while the grill is in operation, or until the gas grill has cooled down after use.



WARNING

Do not try lighting this appliance without reading the "LIGHTING INSTRUCTIONS" section of this manual.

TESTED IN ACCORDANCE WITH ANSI Z21.58-2015 • CSA 1.6-2015 STANDARD FOR OUTDOOR COOKING GAS APPLIANCE. THIS GRILL IS FOR OUTDOOR USE ONLY.

Grill Installation Codes

Check your local building codes for the proper method of installation. In the absence of local codes, this unit should be installed in accordance with the National Fuel Gas Code, ANSI Z223.1/NFPA 54, Storage and Handling of Liquefied Petroleum Gases, ANSI/NFPA B149.2 or CSA B149.1 Natural Gas and Propane Installation Code, and the National Electrical Code, ANSI/NFPA 70.

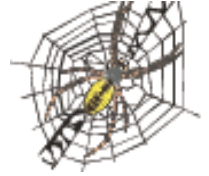
Correct LP Gas Tank Use

LP gas grill models are designed for use with a standard 20 lb. Liquid Propane Gas tank, not included with grill. **Never** connect your gas grill to an LP gas tank that exceeds this capacity.

NOTE: The normal flow of gas through the regulator and hose assembly can create a humming noise. A low volume of noise is perfectly normal and will not interfere with operation of the grill. If humming noise is loud and excessive you may need to purge air from the gas line or reset the regulator excess gas flow device. This purging procedure should be done every time a new LP gas tank is connected to your grill.

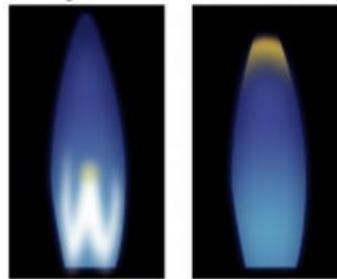
CAUTION: Beware of Flashback

CAUTION: Spiders and small insects occasionally spin webs or make nests in the grill burner tubes during transit and warehousing. These webs can lead to gas flow obstruction, which could result in a fire in and around burner tubes. This type of fire is known as "FLASH-BACK" and can cause serious damage to your grill and create an unsafe operating condition for the user.



Although an obstructed burner tube is not the only cause of "FLASH-BACK", it is the most common cause.

To reduce the chance of "FLASH-BACK", you must clean the burner tubes before assembling your grill, and at least once a month in late summer or early fall when spiders are most active. Also perform this burner tube cleaning procedure if your grill has not been used for an extended period of time. A clogged tube can lead to a fire beneath the grill.



A

B

A: Natural gas flame (If applicable)

B: Liquid propane flame

Visually check the burner flames prior to each use. The flames should look like this picture. If they do not, refer to the burner maintenance part of this manual.

LP-Gas Supply System



- If the information is not followed exactly, a fire resulting in death or serious injury could occur.
- A 20lb tank of approximately 12-1/4 inches in diameter by 18-1/4 inches high is the maximum size LP gas tank to use.
- The LP gas supply cylinder to be used must be constructed and marked in accordance with the specifications for LP – Gas cylinder of the U.S. Department of Transportation (DOT) or the National Standard of Canada ,CAN/CSA –B339, Cylinders, Spheres and Tubes for Transportation of Dangerous Goods and Commission .
- The LP gas tank must have a shutoff valve terminating in an LP valve outlet that is compatible with a Type 1. LP gas supply cylinder must have a shut off valve terminating in a valve outlet specified for connection type QCC1 in the standard for compressed gas cylinder valve outlet and inlet connection ANSI/CGA-V-1 as applicable. LP gas supply cylinder must be fitted with an Overfill Protection Device (O.P.D) The LP gas tank must also have a safety relief device that has a direct connection with the vapor space of the tank. This safety feature prevents the tank from being overfilled, which can cause malfunction of the LP gas tank, regulator and/or grill.
- The tank supply system must be arranged for vapor withdrawal.
- The LP gas tank used must have a collar to protect the tank valve.
- Place dust cap on cylinder valve outlet whenever the cylinder is not in use. Only install the type of dust cap on the cylinder valve outlet that is provided with the cylinder valve. Other types of cap or plugs may result in leakage of propane.
- **Never** connect an unregulated LP gas tank to your gas grill.
- This outdoor cooking gas appliance is equipped with a high capacity hose/regulator assembly for connection to a standard 20lb. Liquid propane cylinder.
- Have your LP gas tank filled by a reputable propane gas dealer and visually inspected and re-qualified at each filling.
- Do not store a spare LP gas cylinder under or near this appliance.
- Never fill the cylinder beyond 80 percent full.
- Always keep LP gas tanks in an upright position.
- Do not store or use gasoline or other flammable vapors and liquids in the vicinity of this or any other appliance.
- Storage of an outdoor cooking gas appliance indoors is permissible only if the cylinder is disconnected and removed from the outdoor cooking gas appliance.
- When your gas grill is not in use the gas must be turned off at LP gas tank.

Proper Placement And Clearance Of Grill

- Never use your gas grill in a garage, porch, shed, breezeway or any other enclosed area. Your gas grill is to be used outdoors only.
Do Not install this unit into combustible enclosures. Minimum clearance from sides and back of unit to combustible construction, 36 inches (91cm) from sides and 36 inches (91cm) from back.
- **DO NOT** use this appliance under overhead combustible surfaces. This outdoors cooking gas appliance is not intend to be installed in or on recreational vehicles and/or boats.

- LP gas tank must be stored outdoors in a well-ventilated area and out of reach of children. Disconnected LP gas tanks must not be stored in a building, garage or any other enclosed area.
- Do Not obstruct the flow of ventilation air around the gas grill housing. Only use the regulator and the hose assembly supplied with your gas grill. Replacement regulators and hose assemblies must be those specified in this manual.
- The regulator and hose assembly must be inspected before each use of the grill. If there is excessive abrasion or wear or if the hose is cut, it must be replaced prior to the grill being put into operation. The replacement hose assembly shall be that specified by the manufacturer.
- Pressure regulator and hose assembly supplied with the outdoor cooking gas appliance must be used. Never substitute other types of regulator. Contact customer service for manufacturer specified replacement parts.
- This outdoor cooking gas appliance is equipped with a pressure regulator comply with the standard for Pressure Regulating Valves for LP Gas ANSI/ UL 144.
- Do not use briquettes of any kind in the grill.
- The grill is designed for optimum performance without the use of briquettes. Do not place briquettes on the radiant as this will block off the area for the grill burners to vent. Adding briquettes can damage ignition components and knobs, and void the warranty.
- Keep the back and side cart free and clear from debris. Keep any electrical supply cord, or the rotisserie motor cord away from the heated areas of the grill.
- Never use the grill in extremely windy conditions. If located in a consistently windy area (oceanfront, mountaintop, etc.) a windbreak will be required. Always adhere to the specified clearance.
- Never use a dented or rusty propane tank.
- Keep any electrical supply cord and the fuel supply hose away from any heated surface.
- While lighting, keep your face and hands as far away from the grill as possible.
- Burner adjustment should only be performed after the burner have cooled.

⚠ **WARNING**

Your grill will get very hot. Never lean over the cooking area while using your grill. Do not touch cooking surfaces, grill housing, lid or any other grill parts while the grill is in operation, or until the gas grill has cooled down after use.

Failure to comply with these instructions may result in serious bodily injury.

CAUTION: TO ENSURE CONTINUED PROTECTION AGAINST RISK OF ELECTRIC SHOCK, CONNECT TO PROPERLY GROUNDED OUTLETS ONLY, TO REDUCE THE RISK OF ELECTRIC SHOCK, KEEP EXTENSION CORD CONNECTION DRY AND OFF THE GROUND.



WARNING

Keep a spray bottle of soapy water near the gas supply valve and check the connections before each use.

DO NOT USE ALUMINUM FOIL TO LINE THE GRILL RACKS OR GRILL BOTTOM.

This can severely upset combustion airflow or trap excessive heat in the control area.

SAFETY PRACTICES TO AVOID PERSONAL INJURY

When properly cared for your grill will provide safe, reliable service for many years. However, extreme care must be used as the grill produces intense heat that can increase accident potential. When using this appliance basic safety practices must be followed, including the following:

Do not repair or replace any part of the grill unless specifically recommended in this manual. All other service should be referred to a qualified technician.

This grill is not intended to be installed in or on recreational vehicles or boats.

Children should not be left alone or unattended in an area where the grill is being used. Do not allow them to sit, stand or play in or around the grill at any time.

Do not store items of interest to children around or below the grill.

Do not permit clothing, pot holders or other flammable materials to come in contact with or too close to any grate, burner or hot surface until it has cooled. The fabric could ignite and cause personal injury.

For personal safety, wear proper apparel. Loose fitting garments or sleeves should never be worn while using this appliance. Some synthetic fabrics are highly flammable and should not be worn while cooking.

Only certain types of glass, heat-proof glass ceramic, earthenware, or other glazed utensils are suitable for grill use. These materials may break with sudden temperature changes. Use only on low or medium heat settings in accordance with the manufacturer's guidelines.

Do not heat unopened food containers. A build-up of pressure may cause the containers to burst.

Grease is flammable. Let hot grease cool before attempting to handle it. Avoid letting grease deposits collect in the bottom of the grill bowl assembly and the grease tray at the bottom of the grill's firebox. Remove the grease from the bottom of the grill bowl assembly and grease tray often.

Use a covered hand when opening the grill lid. Never lean over an open grill.

When lighting a burner, pay close attention to what you are doing. Make certain you are aware of which burner you are lighting, so your body and clothing remain clear of open flames.

When using the grill, do not touch the grill rack, burner grate or immediate surroundings as these areas become extremely hot and could cause burns. Use only dry potholders. Moist or damp potholders on hot surfaces may cause steam burns. Do not use a towel or bulky cloth in place of potholders. Do not allow potholders to touch hot portions of the grill rack.

Grease is flammable. Let hot grease cool before attempting to handle it. Do not allow grease deposits to collect in the grease tray at the bottom of the grill's firebox. Clean the grease tray often.

Do not use aluminum foil to line the grill racks or grill bottom. This can severely upset combustion air flow or trap excessive heat in the control area.

For proper lighting and performance of the burners keep the burner ports clean. It is necessary to clean them periodically for optimum performance. The burners will only operate in one position and must be mounted correctly for safe operation.

Clean the grill with caution. To avoid steam burns, do not use a wet sponge or cloth to clean the grill while it is hot. Some cleaners produce toxic fumes or can ignite if applied to a hot surface.

Turn off grill controls and make certain the grill is cool before using any type of aerosol cleaner on or around the grill. The chemical that produces the spraying action could, in the presence of heat, ignite or cause metal parts to corrode.

Do not use the grill to cook excessively fatty meats or other products which promote flare – ups.

Do not operate the grill under unprotected combustible constructions. Use only in well ventilated areas. Do not use in buildings, garages, sheds, breezeways or other such enclosed areas.

Keep the area surrounding the grill free from combustible materials including, fluids, trash, and vapors such as gasoline or charcoal lighter fluid. Do not obstruct the flow of combustion and ventilation air.



WARNING

This outdoor cooking gas appliance is not intended to be installed in or on boats. And other recreational vehicles.

NEVER CONNECT AN UNREGULATED GAS SUPPLY LINE TO THE APPLIANCE. USE THE REGULATOR/HOSE ASSEMBLY SUPPLIED.

This is a liquid propane configured grill. Do not attempt to use a natural gas supply unless the grill has been reconfigured for natural gas use.

Total gas consumption (per hour) of this stainless steel gas grill with all burners on "HIGH":

Main burner	45,000 Btu/hr
Side burner	12,000 Btu/hr
Total	57,000 Btu/hr

L.P. TANK REQUIREMENT

A dented or rusty L.P. tank may be hazardous and should be checked by your L.P. supplier. Never use a cylinder with a damaged valve. The L.P. gas cylinder must be constructed and marked in accordance with the specifications for L.P. gas cylinders of the U.S. Department of Transportation (DOT) or the National Standard of Canada, CAN/CSA-B339, Cylinders, Spheres and Tubes for Transportation of Dangerous Goods; and Commission, as applicable. Overfilling prevention device (OPD) shall be provided on cylinder & QCCI connection on the cylinder valve, ANSI/CGA-V-1. The cylinder supply system must be arranged for vapor withdrawal. The cylinder must include a collar to protect the cylinder valve. The cylinder must be provided with a shut off valve terminal in an L.P. gas supply cylinder valve outlet specified, as applicable, for connection type QCC1 in the standard for compressed gas cylinder valve outlet and inlet connection ANSI/CGA-V-1.
Manifold pressure: 11"(27.94cm) water column (W.C.).

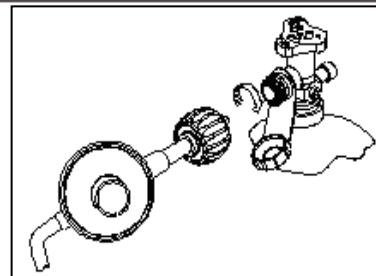
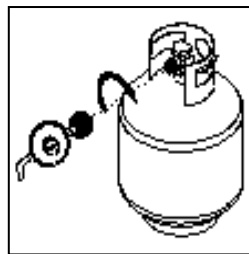
L.P. GAS HOOK-UP

Ensure that the black plastic grommets on the LP cylinder valve are in place and that the hose does not come into contact with the grease tray or the grill head.

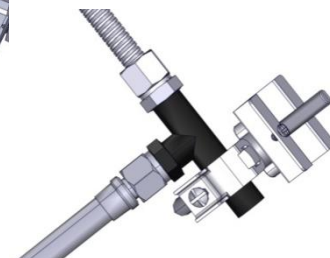
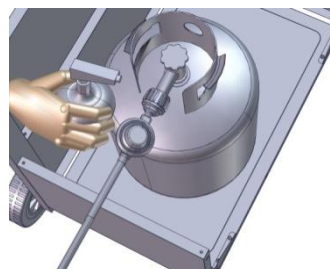
CONNECTION

Your stainless steel grill is equipped with gas supply orifices for use only with liquid propane gas. It is also equipped with a high capacity hose/regulator assembly for connection to a standard 20lb. L.P. cylinder (18-1/4" (46.35cm) high, 12-1/4"(31cm) diameter). To connect the L.P. gas supply cylinder, please follow the steps below:

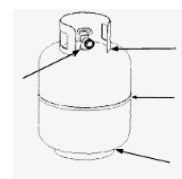
1. Make sure tank valve is in its full off position (turn clockwise to stop)
2. Check tank valve to assure it has proper external male threads (type 1 connection per ANSIZ21.81)



3. Make sure all burner valves are in their off position.
4. Inspect valve connections, port, and regulator assembly. Look for any damage or debris. Remove any debris. Inspect hose for damage. Never attempt to use damaged or obstructed equipment. See your local L.P. gas dealer for repair.
5. When connecting regulator assembly to the valve, hand tighten the quick coupling nut clockwise to a complete stop. Do not use a wrench to tighten. Use of a wrench may damage the quick coupling nut and result in a hazardous condition.
6. Open the tank valve fully (counterclockwise). Apply the soap solution with a clean brush to all gas connections. See below. If growing bubbles appear in the solution the connections are not properly sealed. Check each fitting and tighten or repair as necessary.



7. If you have a gas connection leak you cannot repair, turn gas OFF at supply tank, disconnect fuel line from your grill and call U.S.A:1-800-913-8999 or your gas supplier for repair assistance.
8. Also apply soapy solution to the tank seams. See below. If growing bubbles appear, shut tank OFF and do not use or move it! Contact an LP gas supplier or your fire department for assistance.



To disconnect L.P. gas cylinder:

1. Turn the burner valves off.
2. Turn the tank valve off fully (turn clockwise to stop).
3. Detach the regulator assembly from the tank valve by turning the quick coupling nut counter-clockwise.

- ✓ **Minimum clearance from sides and back of unit to combustible construction, 36 inches (91cm) from sides and 36 inches (91cm) from back**
- ✓ **All internal packaging removed.**
- ✓ **Knobs turn freely.**
- ✓ **Burners are tight and sitting properly on orifices.**
- ✓ **Pressure regulator connected and set. Gas connections to grill using hose & regulator assembly provided (pre-set for 11.0" water column).**
- ✓ **Unit tested and free of leaks.**
- ✓ **User informed of gas supply shut off valve location**

USER, PLEASE RETAIN THIS MANUAL FOR FUTURE REFERENCE.

PROPANE CYLINDER CAUTIONS

- a) **Do Not store a spare LP-gas cylinder under or near this appliance.**
- b) **NEVER fill the cylinder beyond 80 percent full.**
- c) **If the information in "a" and "b" is not followed exactly, a fire or explosion causing death or serious injury may occur.**

Leak Testing

GENERAL

Although all gas connections on the grill are leak tested at the factory prior to shipment, a complete Gas leak test must be performed at the installation site due to possible mishandling in shipment, or excessive pressure unknowingly being applied to the unit. Periodically check the whole system for leaks following the procedures listed below. If the smell of gas is detected at anytime you should immediately check the entire system for leaks.

BEFORE TESTING

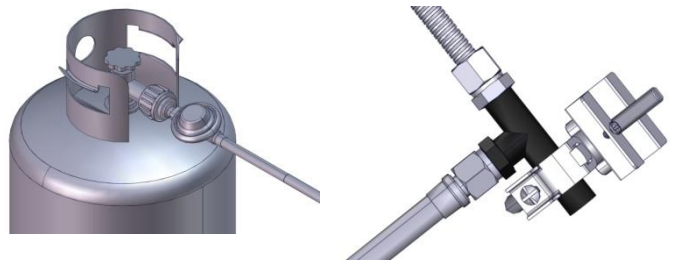
Make sure that all packing material is removed from the grill including tie-down straps.

DO NOT SMOKE WHILE LEAK TESTING. NEVER PERFORM LEAK TEST WITH AN OPEN FLAME.

Make a soap solution of one part liquid detergent and one part water. You will need a spray bottle, brush, or rag to apply the solution to the fittings. For the initial leak test, make sure the L.P. cylinder is 80% full.

TO TEST

1. Make sure the control valves are in the "OFF" position, and turn on the gas supply.
2. Check all connections from the L.P. gas regulator and supply valve up to and including the connection to the manifold pipe assembly (the pipe that goes to the burners). Soap bubbles will appear where a leak is present.
3. If a leak is present, immediately turn off the gas supply and tighten the leaky fittings.
4. Turn the gas back on and recheck.
5. Should the gas continue to leak from any of the fittings, turn off the gas supply and contact customer service at U.S.A:1- 800-913-8999.



Only those parts recommended by the manufacturer should be used on the grill.

Substitution will void the warranty. Do not use the grill until all connections have been checked and do not leak.

GAS FLOW CHECK

Each grill burner is tested and adjusted at the factory prior to shipment; however, variations in the local gas supply may make it necessary to adjust the burners. The flames of the burners should be visually checked.

Flames should be blue and stable with no yellow tips, excessive noise or lifting. If any of these conditions exist, check to see if the air shutter or burner ports are blocked by dirt, debris, spider webs, etc. If you have any questions regarding flame stability, please call customer service U.S.A:1- 800-913-8999.

ALWAYS CHECK FOR LEAKS AFTER EVERY L.P. TANK CHANGE

Check all gas supply fittings for leaks before each use. It is handy to keep a spray bottle of soapy water near the shut-off valve of the gas supply line. Spray all the fittings. Bubbles indicate leaks.

Note: Remove all packaging, including straps, before using the grill.

GENERAL USE OF THE GRILL AND ROTISSERIE

Each main burner is rated at 9,000 BTU/HR. The main grill burners encompass the entire cooking area and are side ported to minimize blockage from falling grease and debris. The knobs are located on the lower center portion of the control panel. Each knob is labeled on the control panel.

USING THE GRILL

Grilling requires high heat for searing and proper browning. Most foods are cooked at the "HIGH" heat setting for the entire cooking time. However, when grilling large pieces of meat or poultry, it may be necessary to turn the heat to the lower setting after the initial browning. This cooks the food through without burning the outside. Foods cooked for a long time or foods basted with a sugary marinade may need the lower heat setting near the end of the cooking time.

NOTE: This grill is designed to grill efficiently without the use of lava rocks or briquettes of any kind. Heat is radiated by the stainless steel flame tamers positioned above each burner.

NOTE: The hot grill sears the food, sealing in the juices. The more thoroughly the grill is preheated, the faster the meat browns and the darker the grill marks.

DO NOT LEAVE THE GRILL UNATTENDED WHILE COOKING.

WARNING: IMPORTANT!

USING THE SIDE BURNER

Inspect the gas supply hose prior to turning the gas "ON". If there is evidence of cuts, wear or abrasion, it must be replaced prior to use. Do not use the side burner if the odor of gas is present.

Grill Lighting Instructions

Note: Remove all packaging, including straps, before using the grill

WARNING: IMPORTANT! BEFORE LIGHTING...

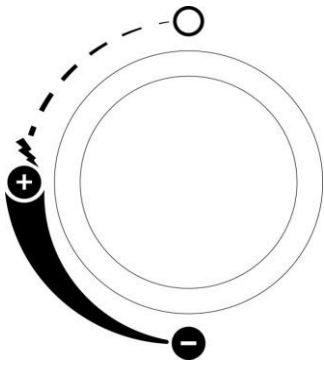
Inspect the gas supply hose prior to turning the gas "ON". If there is evidence of cuts, wear, or abrasion, it must be replaced prior to use. Do not use the grill if the odor of gas is present. Only the pressure regulator and hose assembly supplied with the unit should be used.

Never substitute regulators and hose assembly for those supplied with the grill. If a replacement is necessary, contact the manufacturer for proper replacement. The replacement must be that specified in the manual.

WARNING: Always keep your face and body as far away from the burner as possible when lighting.



TO LIGHT THE BURNER



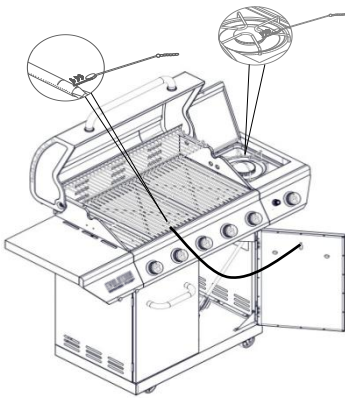
TO LIGHT THE MAIN/SIDE/ REAR/SEAR BURNER (If applicable)

1. Make sure the lid is opened.
2. Turn ON the gas tank valve.
3. Push and turn corresponding burner control knob to the ⚡ while pressing the ignition button to light the burner.
4. Once the burner is lit, release the ignition button and knob.
5. If burner does not light up, turn the knob to O and repeat the lighting procedure.

TO MATCH LIGHT THE BURNER

Main Burner

Side Burner



1. If the burner will not light after several attempts then the burner can be match lit, before using the match allow 5 minutes for any accumulated gas to dissipate.
2. Clip a paper match on one end of the lighting rod.
3. Light match.
4. Hold lighting rod and insert lighted match right next to the burner ports or ceramic file.
5. Push and turn the designated control knob to ⚡
6. Burner should ignite immediately.

Each burner assembly is adjusted prior to shipment; however, variations in the local gas supply may make minor adjustments necessary.

Do not attempt to light the grill if odor of gas is present. Call for service 1-800-913-8999.

Keep a spray bottle of soapy water near the gas supply valve and check the connections before each use.

EVOLUTION Infrared PLUS™ Cooking

EVOLUTION

INFRARED PLUS™

Please refer to the
“Grill Guide for EVOLUTION Infrared PLUS™”
to explore and enjoy up to 64 unique
configurations available to you.

For additional details and information, grilling tips, as well as care and maintenance for your EVOLUTION Infrared PLUS™ grill, please visit us at www.nexgrill.com/evolution.

STAINLESS STEEL

There are many different stainless steel cleaners available. Always use the mildest cleaning procedure first, scrubbing in the direction of the grain. Do not use steel wool as it will scratch the surface. To touch up noticeable scratches in the stainless steel, sand very lightly with dry 100 grit emery paper in the direction of the grain. Specks of grease can gather on the surfaces of the stainless steel and bake on to the surface and give the appearance of rust. For removal use a mild abrasive pad in conjunction with a stainless steel cleaner.

GRILL GRATE

The easiest way to clean the grill is immediately after cooking is completed and after turning off the flame. Wear a barbecue mitt to protect your hand from the heat and steam. Dip a brass bristle barbecue brush in water and scrub the hot grill. Dip the brush frequently in the bowl of water. Steam, created as water contacts the hot grill, assists the cleaning process by softening any food particles. If the grill is allowed to cool before cleaning, cleaning will be more difficult.

ENSURE THAT THE GAS SUPPLY AND THE KNOBS ARE IN THE "OFF" POSITION. MAKE SURE THE RANGE TOP BURNER IS COOL BEFORE REMOVAL.

GRILL BURNERS

Extreme care should be taken when moving a burner as it must be correctly centered on the orifice before any attempt is made to relight the grill. Frequency of cleaning will depend on how often you use the grill.

MAIN GRILL BURNER CLEANING

Ensure the gas supply is off and the knobs are in the "OFF" position. Make sure the grill is cool. Clean the exterior of the burner with a wire brush. Clear stubborn scale with a metal scraper. Clear any clogged ports with a straightened paper clip. Never use a wooden toothpick as it may break off and clog the port. Please note if insects or other obstructions are blocking the flow of gas through the burner, and if so you will need to call our customer service line U.S.A:1-800-913-8999.

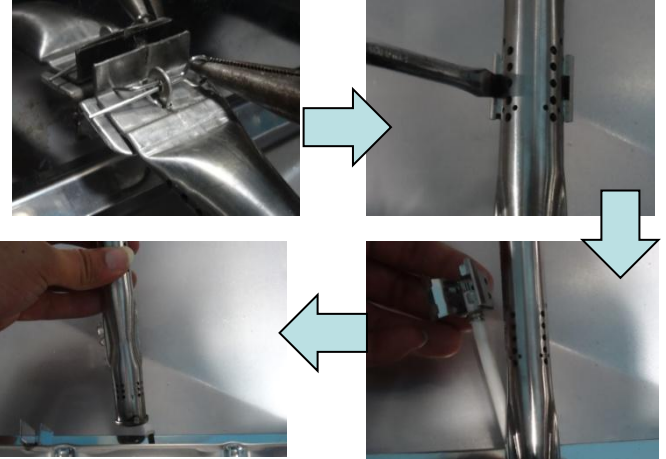
GREASE TRAY CLEANING

The grease tray should be emptied and wiped down periodically and wash with a mild detergent and warm water solution. A small amount of sand may be placed in bottom of grease tray to absorb the grease. Check the grease tray frequently, do not allow excess grease to accumulate and overflow out of the grease tray.

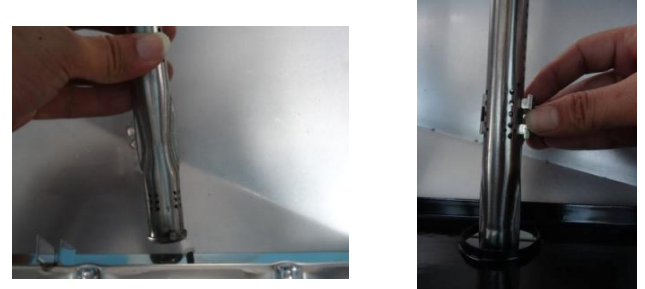
Warning: If you wish to replace main burner, we strongly recommend that you hire a professionally trained technician to replace it. Please understand that we will not be responsible for any liability, personal injury, or property damage resulting from an improperly assembled burner.

HOW TO REPLACE MAIN BURNER

Step 1. Remove the main burner "R" pin on the back wall of fire box by using needle nose pliers. Use a flathead screwdriver to remove burner pin cover, then remove the burner on the front wall of fire box, as shown below.



Step 2. Insert the burner onto the orifice and secure the burner pin cover on the burner, as shown below, make sure burner hole aim at orifice .



Step 3. Secure the main burner on the back wall of fire box with "R" Pin.



CAUTION

1. Keep outdoor cooking gas appliance area clear and free from combustible materials, gasoline and other flammable vapors and liquids.
2. Do not obstruct the flow of combustible and ventilation air.
3. Keep the ventilation openings of the cylinder enclosure free and clear from debris.

SPIDER AND INSECT WARNING

Checking and cleaning burner/ venturi tubes for insects and insect nests. A clogged tube can lead to a fire beneath the grill.

Although an obstructed burner tube is not the only cause of "FLASH-BACK", it is the most common cause.

To reduce the chance of "FLASH-BACK", you must clean the burner tubes before assembling your grill, and at least once a month in late summer or early fall when spiders are most active. Also perform this burner tube cleaning procedure if your grill has not been used for an extended period of time.

WHEN TO LOOK FOR SPIDERS

You should inspect the burners at least once a year or immediately after any of the following conditions occur:

1. The smell of gas in conjunction with the burner flames appearing yellow.
2. The grill does not reach temperature.
3. The grill heats unevenly.
4. The burners make popping noises.

BEFORE CALLING FOR SERVICE

If the grill does not function properly, use the following check list before contacting your dealer for service. You may save the cost of a service call.

PREHEATING: The grill lid should be in a closed position during the preheat time period. It is necessary to preheat the grill before cooking certain foods, depending on the type of food and the cooking temperature. Food that requires a high cooking temperature needs a pre-heat period of five minutes; food that requires a lower cooking temperature needs only a period of two to three minutes.

COOKING TEMPERATURES

High setting-Use this setting for fast warm-up, for searing steaks and chops, and grilling.

Low setting-Use this setting for all roasting, baking, and when cooking very lean cuts such as fish.

These temperatures vary with the outside temperature and the amount of wind.

Cooking with in-direct Heat: You can cook poultry and large cuts of meat slowly to perfection on one side of the grill by indirect heat from the burner on the other side. Heat from the lit burner circulates gently throughout the grill, cooking the meat or poultry without any direct flame touching it. This method greatly reduces flare-ups when cooking extra fatty cuts, because there is no direct flame to light the fats and juices that drip down during cooking.

CAUTION: If burners go out during operation, close gas supply at source, and turn all gas valves off. Open lid and wait five minutes before attempting to relight (this allows accumulated gas fumes to clear).

CAUTION: Should a grease fire occur, close gas supply at source, turn off all burners and leave lid closed until fire is out.

CAUTION: DO NOT attempt to disconnect any gas fitting while your grill is in operation. As with all appliances, proper care and maintenance will keep them in top operating condition and prolong their life. Your gas grill is no exception.

CAUTION: Side burner lid will get hot if used when lid is closed.

PROBLEM	SOLUTION
When attempting to light my grill, it will not light immediately.	<p>Make sure you have a spark while you are trying to light the burner (if no spark) . Check if the battery is installed properly.</p> <p>Ensure that the wire is connected to the electrode assembly.</p> <p>Clean wire (s) and / or electrode with rubbing alcohol and a clean swab.</p> <p>Wipe with a clean cloth.</p> <p>Check to see if the other burners operate. If so. Check the gas orifice on the malfunctioning burner for an obstruction.</p>
Regulator makes noise.	<p>Vent hose on the regulator may be plugged or regulator may be faulty.</p> <p>Ensure the vent hole on the regulator is not obstructed. Clear the hole, close the gas control valves. Wait ten minutes and re-start.</p> <p>Check your flames for proper performance. If the flames are not correct, replace regulator.</p>
Full size cover does not fit the grill.	<p>Cover may be incorrect for your grill. It may be a tight fit.</p> <p>Ensure the cover is the correct length for your grill.</p> <p>Measure it left to right. Compare to the grill's measurement.</p> <p>Compare the location and size of the hood portion of the cover to your grill.</p> <p>Spread the cover and allow it to relax, preferably in warm sunlight or in a warm room.</p> <p>For grill with a side shelf bunch the cover like a sock, put on left to right.</p>
Grill only heats to 200-300 degrees.	<p>Check to see if the fuel hose is bent or kinked.</p> <p>Make sure the grill area is clear of dust.</p> <p>Make sure the burner and orifices are clean.</p> <p>Check for spiders and insects.</p> <p>The regulator has a safety device that restricts the flow of gas in the event of a leak. This safety device can be triggered without a gas leak. To reset the safety device, turn off all burners and close the LP tank valve. Disconnect the regulator from the LP tank and wait one minute. Reconnect the regulator to the LP tank and slowly open the LP tank valve until the valve is fully open. Light all burners and observe the temperature.</p>
Grill takes a long time to preheat.	<p>Normal preheat 500-600 degrees, takes about 10-15 min. Cold weather and wind may effect your preheat time.</p> <p>If you are using volcanic rock or briquettes they can increase the preheat time and maximum temperature.</p>
Burner flames are not light blue.	<p>Too much or not enough air for the flame.</p> <p>Elevation is the principal cause, however cold weather can affect the mixture. Burner adjustment may be required.</p> <p>Grill is in a windy location.</p>

HOW TO ORDER REPLACEMENT PARTS

To make sure you obtain the correct replacement part (s) for your gas grill, please refer to the parts list on pages 66. The following information is required to assure getting the correct part. Please note the shipping cost for the delivery of any replacement parts will be on yourself.

- Gas grills model number (see data sticker on grill).
- Part number of replacement part needed.
- Description of replacement part needed.
- Quantity of parts needed.

To obtain replacement parts, contact our customer service hotline, U.S.A:1- 800-913-8999.

IMPORTANT

Use only factory authorized parts. The use of any part that is not factory authorized can be dangerous. This will also void your warranty.

Keep this assembly and operating instruction manual for convenient referral, and for replacement parts ordering.

Grill Hints

The doneness of meat, whether rare, medium, or well done, is affected to a large degree by the thickness of the cut. Expert chefs say it is impossible to have a rare doneness with a thin cut of meat.

The cooking time is affected by the kind of meat, the size and shape of the cut, the temperature of the meat when cooking begins, and the degree of doneness desired.

When defrosting meats it is recommended that it be done overnight in the refrigerator as opposed to a microwave. This in general yields a juicier cut of meat.

Use a spatula instead of tongs or a fork to turn the meat, as a spatula will not puncture the meat and let the juices run out.

To get the juiciest meats, add seasoning or salt after the cooking is finished on each side and turn the meat only once (juices are lost when the meat is turned several times). Turn the meat just after the juices begin to bubble to the surface.

Trim any excess fat from the meat before cooking. To prevent steaks or chops from curling during cooking, slit the fat around the edges at 2-inch intervals.

DO NOT LEAVE THE GRILL UNATTENDED WHILE COOKING.

Grill Cooking Chart

FOOD	WEIGHT OR THICKNESS	HEAT SETTING	APPROXIMATE TIME	SPECIAL INSTRUCTIONS AND TIPS
Vegetables				Slice. Dot with butter or margarine. Wrap in heavy -duty foil. Grill, turning occasionally.
Fresh Beets Carrots Turnips		Medium	12 to 20 minutes	Grill, turning once. Brush occasionally with melted butter or margarine.
Onion	1/2 inch slices	Medium	8 to 20 minutes	Season with Italian dressing, butter, or margarine.
Potatoes Sweet White	Whole 6 to 8 ounces	Medium High	40 to 60 minutes 45 to 60 minutes	Wrap individually in heavy - duty foil. Grill, rotating occasionally.
Frozen Asparagus Peas Green beans Sprouts		Medium	15 to 30 minutes	Dot with butter or margarine. Wrap in heavy -duty foil. Grill, turning occasionally.

FOOD	WEIGHT OR THICKNESS	HEAT SETTING	APPROXIMATE TIME	SPECIAL INSTRUCTIONS AND TIPS
French fries		Medium	15 to 30 minutes	Place in aluminum foil pan. Grill, stirring occasionally
Meats Beef Hamburgers	1/2 to 3/4 inch	Medium	10 to 18 minutes	Grill, turning once when juices rise to the surfaces. Do not leave hamburgers unattended since a flare-up could occur quickly. Cook to internal temperature of 160 degrees
Tenderloin		High	8 to 15 minutes	
Rare	1 inch	High	8 to 14 minutes	Trim edges. Grill, turning once
Medium	1-1/2 inch 1 inch 1-1/2 inch	High Medium to High	11 to 18 minutes 12 to 22 minutes 16 to 27 minutes	
	1 inch 1-1/2 inches	Medium Medium	18 to 30 minutes 16 to 35 minutes	
Lamb Chop & Steaks Rare	1 inch 1-1/2 inch	Medium to High	10 to 15 minutes 14 to 18 minutes	Trim edges. Grill, turning once.
Medium	1 inch 1-1/2 inch	Medium to High	13 to 20 minutes 18 to 25 minutes	
Pork Chops	1 inch	Medium	20 to 30 minutes	Trim edges. Grill, turning once. Cook to desired doneness.
Well -done	1 -1/2 inches	Medium	30 to 40 minutes	
Ribs		Medium	30 to 40 minutes	Grill, turning occasionally. During last few minutes brush with barbecue sauce. Turn several times.
Ham steaks (precooked)	1 inch slices	High	4 to 8 minutes	Trim edges. Grill, turning once.
Hot dogs		Low	5 to 10 minutes	Slit skin. Grill, turning once.
Poultry	2 to 3 pounds	Low or Medium	Up to 1 hour	Place skin side up. Grill, turning and brushing frequently with melted butter, margarine, oil or marinade.
Breasts well -done		Medium	30 to 45 minutes	Marinate as desired.
Fish and Seafood Halibut Salmon Swordfish	3/4 to 1 inch	Medium to High	8 to 15 minutes	Grill, turning once. Brush with melted butter, margarine or oil to keep moist.
Whole Cattfish Rainbow trout	4 to 8 ounce	Medium to High	12 to 20 minutes	Grill, turning once. Brush with melted butter, margarine or oil. Brush with melted butter and lemon juice.

BBQ SALMON

2 large salmon steaks
 2 tbs. Oil
 Salt & pepper
 2 oz. thin bacon slices
 2 tbs. Butter
 1 tbs. Lemon juice
 Spring of parsley
 Lemon wedges
 Preheat the BBQ.

Brush the steaks with oil and season with salt and pepper. Place on BBQ grill and cook for 10 minutes, turning steaks over halfway cooking time.

Meanwhile, fry the bacon in a pan on the side burner. Drain on paper towels. Melt the butter in a small saucepan taking care not to discolor it. Arrange the fish and bacon on serving plates. Pour the butter over and sprinkle with lemon juice. Garnish with parsley springs and lemon wedges. Serve with boiled potatoes tossed in butter and sprinkled with chopped parsley and a crisp lettuce salad.

Note: Substitute catfish, halibut or cod for salmon.

BAKED CHILI CORN

6 medium ears corn, husked
 3 tbs. Butter or margarine, melted
 Dash ground cumin
 Dash ground coriander

About ½ hour before cooking, turn the butter on for grill. Place each corn on a heavy-duty foil. In a bowl, combine remaining ingredients. Mix well. Brush 1-1/2 tsp. Butter mixture over each ear. Close foil and fold up ends to seal. Place on grill. Cook, turning packets occasionally 10 to 12 minutes or until cooked through.

TANGY SEAFOOD KABOBS

1 lb. Large shrimp, shelled & deveined
 ¾ lbs. sea scallops
 2/3 c. chili sauce
 ¼ c. cider vinegar

butter and sprinkled with chopped parsley and a crisp lettuce salad. In medium bowl, combine shrimp and scallops. In small bowl combine chili sauce and next six ingredients. Pour over seafood. Toss to coat. Cover, refrigerate 2 hours.
 3 tbs. chopped parsley
 1 tbs. vegetable oil
 1 tbs. Worcestershire sauce
 ½ tsp. prepared horseradish
 1 cove garlic, minced
 1 20 oz. Can pineapple chunks in juice, drained half hour before cooking, turn the burner to the grill on full. Drain seafood reserving marinade. On each of twelve 10" skewers, thread 2 shrimps and 2 scallops, alternating with pineapple chunks. Place skewers on grill. Cook 7-10 minutes, often basting and turning.

PORK CHOPS

4 Pork chops
 Marinade
 1 large onion
 2 tbs. lemon juice or vinegar
 2 tbs. oil
 ½ tsp. powdered mustard
 2 tsp. Worcestershire sauce
 ½ tsp. freshly ground black pepper
 1 tsp. sugar
 ½ tsp. paprika
 1 clove garlic

Peel, grate onion, and add rest of the ingredients except the pork chops. Mix well. Pour over chops and marinate one hour in a cool place. Turn the BBQ grill on full. Heat 10 minutes.

BBQ the chops brushing with the marinade occasionally. Serve with mixed salad, dressed with vinaigrette flavored with fresh dill.

BARBECUED LONDON BROIL

4 to 6 servings
 ¾ c. Italian dressing
 1 tsp. Worcestershire sauce
 1 tsp. dry mustard
 ¼ tsp. thyme, crushed
 1 medium onion, sliced
 1 pound flank steak, scored
 2 tbs. butter, melted

Combine first 4 ingredients, add onion and marinade flank steak with it. Refrigerate at least 4 hours or overnight. Remove steak and grill on your preheated BBQ grill. Grill 5 to 7 minutes on each side basting frequently with the marinade. In the meantime sauté onions from the marinade in butter in a skillet on your side burner for 3 minutes. To serve, slice steak diagonally into thin slices, sprinkle onions over top. Garnish with vegetable kabobs.

BARBECUED POTATOES and CHEESE

1-1/2 cups shredded cheddar cheese
 1 can (10-3/4 oz.) condensed cream of mushroom soup
 1/3 cup milk
 2 tbs. barbecue sauce
 ¼ tsp. oregano
 ¼ tsp. salt
 1/8 tsp. pepper
 4 cups thinly sliced potatoes (4 medium-sized potatoes)

Preheat grill. Combine cheese, condensed soup, milk, BBQ sauce, oregano, salt and pepper in a large mixing bowl. Stir in potatoes until well coated. Turn into well buttered 1-1/2 quart rectangular baking dish. Cover dish with aluminum foil. Bake covered 25 minutes on medium with the lid of your BBQ grill closed. Remove foil and continue baking 15 minutes longer or until potatoes are tender. Let stand 5 minutes before serving.

VEGETABLE KABOBS

3 medium-sized zucchini
 12 cherry tomatoes
 12 fresh mushrooms
 Grated Parmesan cheese
 Parboil whole zucchini 5 minutes on your side burner or until just tender. Drain and cut into ½ inch slices. Thread zucchini, tomatoes and mushrooms alternately on each of six skewers. Brush with marinade made of Italian dressing, Worcestershire sauce, mustard and thyme. Grill 5 to 7 minutes turning and basting occasionally. Sprinkle liberally with Parmesan cheese.

FAJITAS

1-1/2 lb. flank steak or boned chicken breasts
 2 tbs. oil
 1/2 cup lime juice
 1/2 tsp. salt
 1/2 tsp. celery salt
 1/4 tsp. garlic powder
 1/2 tsp. pepper
 1/4 tsp. oregano
 1/4 tsp. cumin
 Flour tortillas lemon
 Pound flank steak to 1/4 inch thickness or flatten chicken breasts. Mix oil, lime juice and seasonings in a zip lock bag. Add meat and shake bag to coat the meat. Refrigerate overnight or at least 6 to 8 hours. Wrap tortillas in foil. Remove meat from marinade. Cook on a preheated gas grill for 5 to 8 minutes on each side. While meat is cooking, heat tortillas on grill. Slice meat across grain in thin slices. Place on hot platter. Squeeze lemon juice over. Wrap meat and any of the following toppings in tortillas: chopped tomatoes, guacamole, sour cream, taco sauce.

BEEF AND LAMB KABOBS

Serve 4
 1/2 lb. boneless sirloin or beef cut into 1" cubes
 1/2 lb. boneless loin of lamb cut into 1" cubes
 2/3 c. water, divided
 1/4 c. chopped onion
 2 tbs. soy sauce
 1/4 c. vegetable oil, divided
 1 tbs. dark brown sugar
 1 tbs. fresh lemon juice
 2 cloves garlic, minced
 1/4 tsp. ground cumin
 1/4 tsp. ground coriander
 1/4 tsp. ground turmeric
 1/8 tsp. ground red pepper
 1/8 tsp. ground ginger
 1 red pepper cut into chunks
 1 large banana, cut into chunks
 8 small mushrooms
 1/3 c. smooth peanut butter
 In blender, process 1/3 c. water, onion, soy sauce, 2 tsp. oil and the next 8 ingredients until smooth. Pour over meat cubes and marinate about 4 hours, turning occasionally. Drain and reserve marinade. Onto to four 12" skewers alternately thread meat, pepper, banana and mushrooms. Preheat grill. Brush the kabobs with oil. Grill 7-8 minutes each side.

Bring marinade to boil on the side burner in a saucepan. Add remaining 1/3 c. water and peanut butter. Stir to blend. Heat through. If sauce gets too thick, add 1 tbs. water. Serve sauce with kabobs.

EGGPLANT CAVIAR

1 large eggplant
 2 tbs. olive oil
 2 tbs. wine vinegar
 2 tbs. finely chopped onion
 1/2 clove garlic, minced
 1 medium tomato, chopped salt and pepper
 Roast eggplant on gas grill over medium flame, turning occasionally until thoroughly cooked. This may take 30 minutes. Remove from grill and cool for handling. Strip off the skin and chop eggplant finely. Add all the seasonings. Chill thoroughly and serve on toast.

CHICKEN TANDOORI STYLE

8 large chicken thighs or drumsticks
 1 c. plain nonfat yogurt
 1/2 c. lemon juice
 2 tsp. salt
 1/2 tsp. cayenne
 1/2 tsp. black pepper
 1/2 tsp. crushed garlic
 1/2 tsp. grated ginger
 1 tbs. corn oil
 Combine all the ingredients in a large mixing bowl and marinate the chicken for 8 hours in the refrigerator. Drain the chicken and spread on the spit running the rod on the fleshier side of the bone. Roast using the rotisserie burner. Cook on medium high heat for 40 minutes basting occasionally with the remainder of the marinade mixture. Serve with sliced onions and lemon wedges.

SPARE RIBS

Marinade:
 1 c. soy sauce
 1/2 c. honey
 1/2 c. vinegar
 1/2 c. dry sherry
 2 tsp. chopped garlic
 2 tsp. sugar
 1 c. water
 1 chicken bouillon cube
 1 can beer for basting sauce

Marinate ribs for 3 hours. Use marinade for basting by adding beer to it. Place pan under the ribs and baste frequently. To cook ribs select lean, meaty ribs and accordion pleat them with your spit. Slide four prong meat hook down the length of spit and tighten. At the beginning of the rack and to its center, penetrate the second rib with the pointed end of the spit and push it between the meat. Skip a couple and continue the process until the entire rack is accordion pleated. Fasten the second meat hook into the rack. Turn your rotisserie burner on high. Roast for 50 minutes or until done.

PORK ROAST

Apple cider vinegar basting sauce:
 1 c. apple cider vinegar
 6 oz. water
 1/2 stick butter
 Salt, pepper, parsley and garlic seasoning
 2 oz. lemon juice
 10 lbs. pork roast
 Time: 1-1/2 hours to 2 hours
 Bring pork to room temperature before placing it on the spit rod. Place on the rod and test for balance. Light rotisserie burner. Turn control knob to high. Use the above basting sauce for rotissing.

TURKEY

12 lb. turkey
 Beer basting sauce:
 1 can beer
 12 oz. water
 1 stick butter
 1 tsp. salt
 1 tsp. pepper
 1/2 tsp. garlic flakes
 1 tsp. parsley
 Thaw the bird completely. Wash inside out. Securely tie the legs and wings. Light rotisserie burner. Turn to high. Combine all the ingredients for basting sauce in a shallow pan. Place it under the turkey 15 to 20 minutes. Cook for approximately 3 hours. The basting sauce combined with turkey drippings makes a delicious gravy.

LIMITED WARRANTY (Model # 720/730-0882A)

The manufacturer warrants to the original consumer-purchaser only that this product (*Model #720/730-0882A*) shall be free from defects in workmanship and materials after correct assembly and under normal and reasonable home use for the periods indicated below beginning on the date of purchase. The manufacturer reserves the right to require photographic evidence of damage, or that defective parts be returned, postage and/or freight pre-paid by the consumer, for review and examination. Nexgrill's obligation is limited to repair, replacement, or depreciated value, at the option of Nexgrill.

- **TUBE BURNERS:** 8 year *LIMITED* warranty against perforation.
- **COOKING GRIDS and FLAME TAMERS:** 1 year *LIMITED* warranty; *does not cover dropping, chipping, scratching, or surface damage.*
- **STAINLESS STEEL PARTS:** 1 year *LIMITED* warranty against perforation; *does not cover cosmetic issues like surface corrosion, scratches and rust.*
- **ALL OTHER PARTS:** 1 year *LIMITED* warranty (Includes, but not limited to, valves, frame, housing, cart, control panel, igniter, regulator, hoses) **Does not cover chipping, scratching, cracking surface corrosion, scratches or rust.*

Upon consumer supplying proof of purchase as provided herein, Manufacturer will repair or replace the parts which are proven defective during the applicable warranty period. Parts required to complete such repair or replacement shall be free of charge to you except for shipping costs, as long as the purchaser is within the warranty period from the original date of purchase. The original consumer-purchaser will be responsible for all shipping charges of parts replaced under the terms of this limited warranty. This limited warranty is applicable in the United States and Canada only, is only available to the original owner of the product and is *not transferable*. Manufacturer requires reasonable proof of your date of purchase. Therefore, you should retain your sales receipt and/or invoice. If the unit was received as a gift, please ask the gift-giver to send in the receipt on your behalf, to the below address. Defective or missing parts subject to this limited warranty will not be replaced without registration or proof of purchase. This limited warranty applies to the functionality of the product **ONLY** and does not cover cosmetic issues such as scratches, dents, corruptions or discoloring by heat, abrasive and chemical cleaners or any tools used in the assembly or installation of the appliance, surface rust, or the discoloration of stainless steel surfaces. Surface rust, corrosion, or powder paint chipping on metal parts that does not affect the structural integrity of the product is not considered a defect in workmanship or material and is not covered by this warranty. This limited warranty will not reimburse you for the cost of any inconvenience, food, personal injury or property damage. If an original replacement part is not available, a comparable replacement part will be sent. You will be responsible for all shipping charges of parts replaced under the terms of this limited warranty.

MANUFACTURER WILL NOT PAY FOR:

- Service calls to your home.
- Repairs when your product is used for other than normal, single-family household or residential use.
- Damage resulting from accident, alteration, misuse, lack of maintenance/cleaning, abuse, fire, flood, acts of God, improper installation, and installation not in accordance with electrical or plumbing codes or misuse of product.
- Any food loss due to product failures.
- Replacement parts or repair labor costs for units operated outside the United States or Canada.
- Pickup and delivery of your product.
- Postage fees or photo processing fees for photos sent in as documentation.
- Repairs to parts or systems resulting from unauthorized modifications made to the product.
- The removal and/or reinstallation of your product.
- Shipping cost, standard or expedited, for warranty/non warranty and replacement parts.

DISCLAIMER OF IMPLIED WARRANTIES: LIMITATION OF REMEDIES

Repair or replacement of defective parts is your exclusive remedy under the terms of this limited warranty. Manufacturer will not be responsible for any consequential or incidental damages arising from the breach of either this limited warranty or any applicable implied warranty, or for failure or damage resulting from acts of God, improper care and maintenance, grease fire, accident, alteration, replacement of parts by anyone other than manufacturer, misuse, transportation, commercial use, abuse, hostile environments (inclement weather, acts of nature, animal tampering), improper installation or installation not in accordance with local codes or printed manufacturer instructions.

THIS LIMITED WARRANTY IS THE SOLE EXPRESS WARRANTY GIVEN BY THE MANUFACTURER. NO PRODUCT PERFORMANCE SPECIFICATION OR DESCRIPTION WHEREVER APPEARING IS WARRANTED BY MANUFACTURER EXCEPT TO THE EXTENT SET FORTH IN THIS LIMITED WARRANTY. ANY IMPLIED WARRANTY PROTECTION ARISING UNDER THE LAWS OF ANY STATE, INCLUDING IMPLIED WARRANTY OF MERCHANTABILITY OR FITNESS FOR A PARTICULAR PURPOSE OR USE, IS HEREBY LIMITED IN DURATION TO THE DURATION OF THIS LIMITED WARRANTY.

Neither dealers nor the retail establishment selling this product has any authority to make any additional warranties or to promise remedies in addition to or inconsistent with those stated above. Manufacturer's maximum liability, in any event, shall not exceed the documented purchase price of the product paid by the original consumer. This warranty only applies to units purchased from an authorized retailer and or re-seller. NOTE: Some states do not allow an exclusion or limitation of incidental or consequential damages, so some of the above limitations or exclusions may not apply to you; this limited warranty gives you specific legal rights as set for herein. You may also have other rights which vary from state to state.

If you wish to obtain performance of any obligation under this limited warranty, you should write to:

**Nexgrill Customer Relations
14050 Laurelwood PI
Chino, CA 91710**

All consumer returns, parts orders, general questions, and troubleshooting assistance can be acquired by calling U.S.A:1-800-913-8999

Natural Gas Conversion for Model# 720/730-0882A

⚠ WARNING! FAILURE TO HEED THESE WARNINGS COULD RESULT IN A FIRE OR EXPLOSION THAT COULD CAUSE SERIOUS BODILY INJURY, DEATH OR PROPERTY DAMAGE.

Natural Gas Conversion must be performed by a QUALIFIED GAS TECHNICIAN ONLY. The QUALIFIED GAS TECHNICIAN should ensure compliance of local codes, including but not limited to, requirements and installation of grill regulator. DO NOT ATTEMPT TO CONVERT YOURSELF. Improper conversion could result in a gas leak which could cause a fire or explosion and cause serious bodily injury, death or property damage. Leaks due to improper conversion could occur immediately or slowly over time. If you hear any unusual noises or leaks, smell gas or unusual odors, or notice anything unusual with the operation of your gas appliance after the installation, immediately shut off the gas supply and discontinue use until the appliance is repaired by a QUALIFIED GAS TECHNICIAN.

Orifice Chart

The different burner valves in this grill have different BTU ratings. This means that the amount of gas coming from each orifice varies in order to create the BTU's. The holes in the orifices themselves are drilled to different sizes so as to allow the proper amount of gas to flow through them. Please note the chart below as an easy reference for the various orifice opening sizes for the different valves in the grill.

720-0882A,730-0882A orifice sizes

Components	Liquid Propane (LP)		Natural Gas (NG)	
	Orifice Size	BTU	Orifice Size	BTU
Main Burner	0.88mm	9,000	1.46mm	9,000
Side Burner	1.02mm	12,000	1.70mm	12,000

Below parts are needed for natural gas conversion:

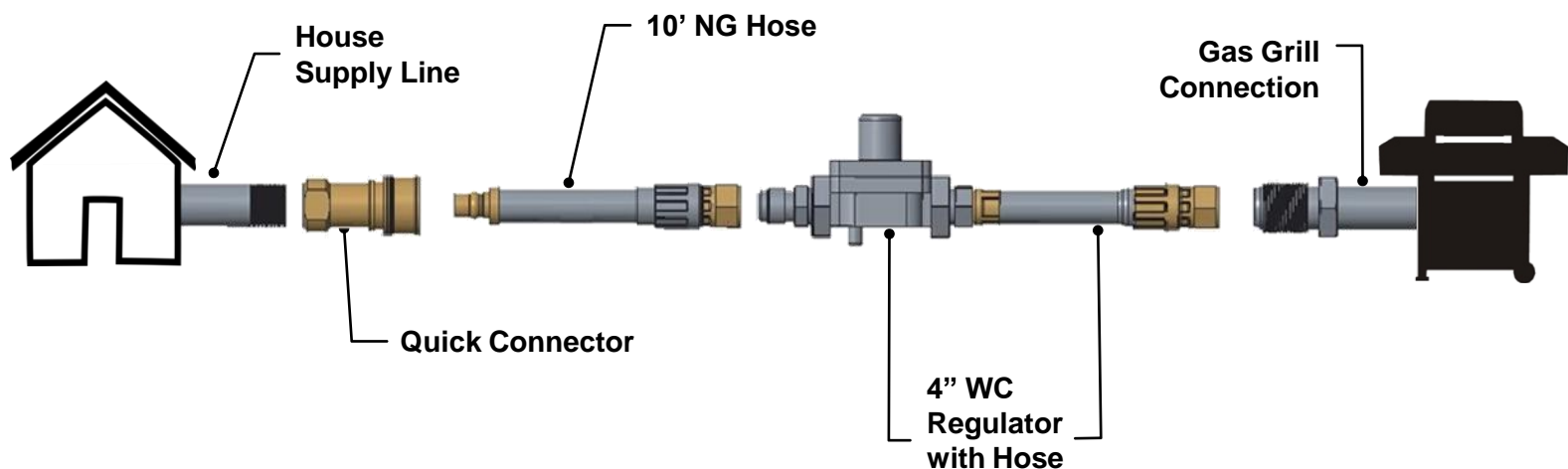
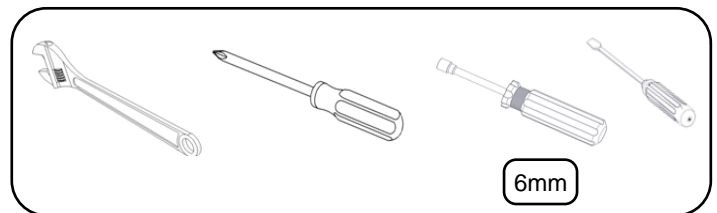
INCLUDED

- Natural gas orifices

NOT INCLUDED

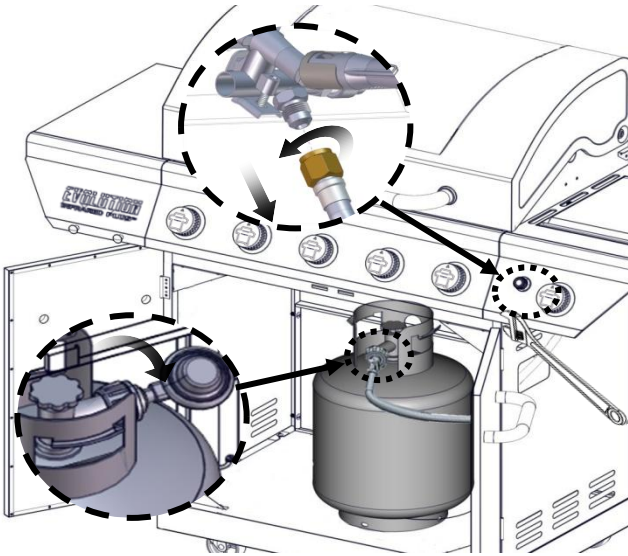
- Quick Connector
- 10 ft (3.0m) Natural Gas Hose
- 4" Water Column Regulator with Hose
- Tools
 - 6 mm Nut Driver
 - 6 mm Wrench
 - Hex Key

Tools that will be needed for conversion:

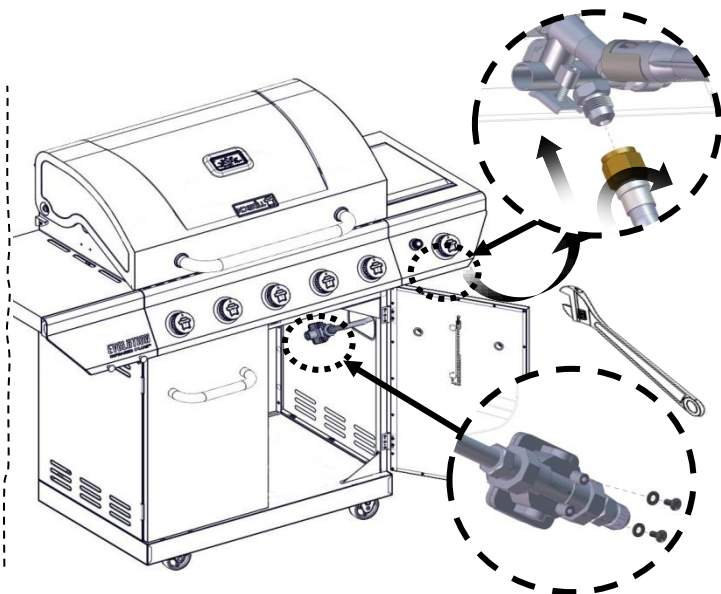


GAS CONVERSIONS

1. Turn off the main gas supply valve.
2. Disconnect 20 lb LP gas fuel tank (if present).
3. Turn off all burner control valves.
4. Remove the 20 lb LP gas fuel tank (if present) from the grill cart.
5. Use an adjustable wrench to remove the LP regulator from the manifold.

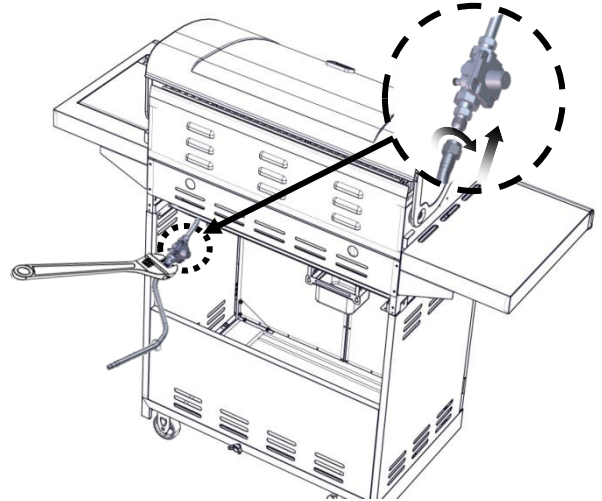


6. Use an adjustable wrench to install the Natural gas regulator hose to the manifold and secure. Attach the Natural gas regulator to the side panel inside the grill cart with the two screws that are preassembled on the regulator.

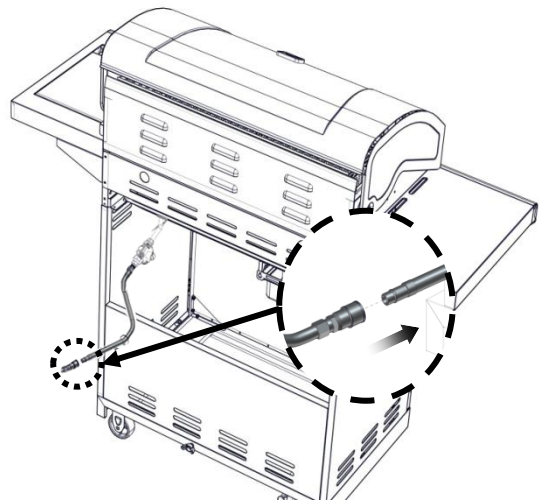


Make Gas Connection

1. A combination of pipe fittings must be used to connect the grill to the existing gas line.
 - The 10 ft (3.0 m) PVC flexible gas supply hose design certified by CSA must be used.
 - Pipe-joint compounds suitable for use with Natural gas must be used. Do not use Teflon®+ tape.
 - There must be a certified manual shut-off valve in the gas supply line near the grill for easy access.
2. Connect the brass connector on one end of the 10 ft (3.0 m) PVC flexible gas supply hose to the Natural gas pressure regulator.



3. Connect the quick connector on the other end of the 10 ft (3.0 m) PVC flexible gas supply hose to the rigid Natural gas supply pipe.
4. Please do leak test after conversion. See page 7.

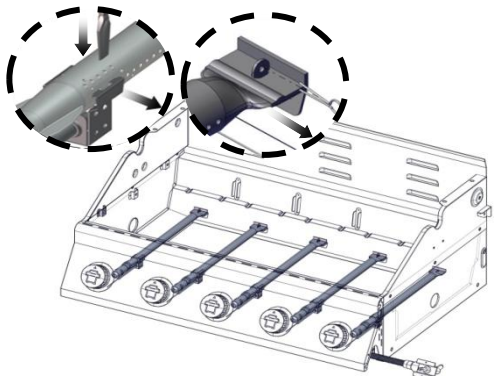


a. The outdoor cooking gas appliance and its individual shutoff valve must be disconnected from the gas supply piping system during any pressure testing of that system at test pressure in excess of 0.5 psi (3.5 KP)

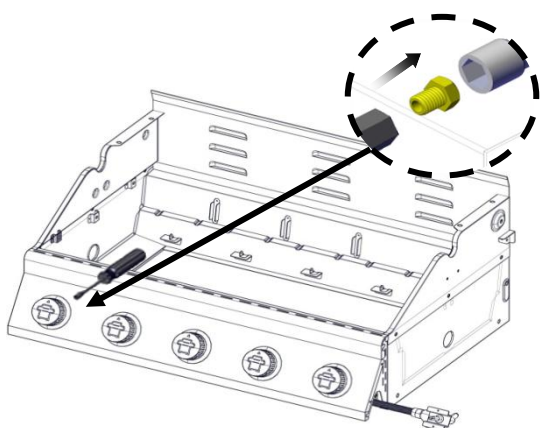
b. The outdoor cooking gas appliance must be isolated from the gas supply piping system by closing its individual manual shutoff valve during any pressure testing of the gas supply piping system at test pressures equal to or less than ½ psi (3.5 KP).

Change Grill Main Burner Valve Orifices

1. Remove the grates and flame tamers.
2. Remove the cotter clip that hold the burner in place. Remove the burner from the grill by lifting the burner out.

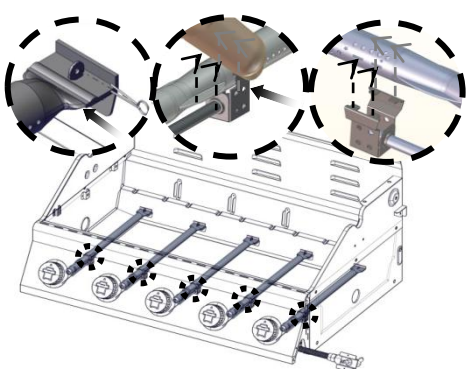
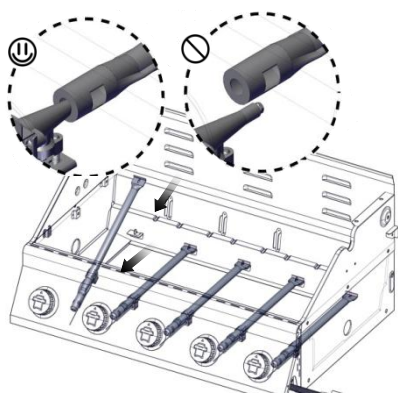


3. Use a 6 mm socket and wrench or 6 mm nut driver to remove the brass orifice from the end of gas valve. Replace with the Natural gas orifice.



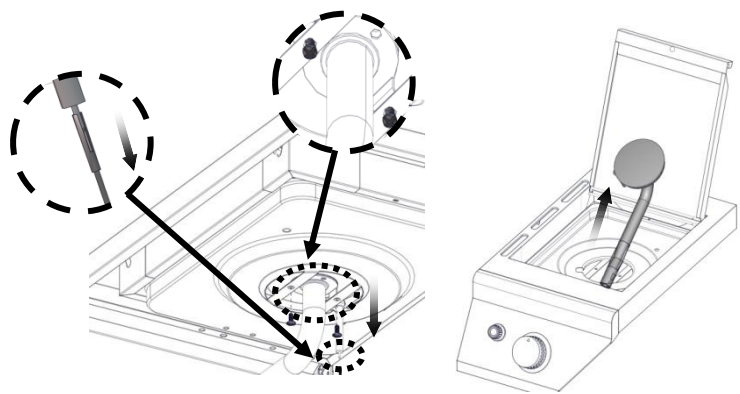
IMPORTANT: Check that the orifice is properly installed inside of the burner opening.

4. Reinsert the burner and reattach using the cotter pin previously removed. Repeat the procedure for each main burner.
5. Position the igniters so they are 1/8" (3.2 mm) away from each burner.

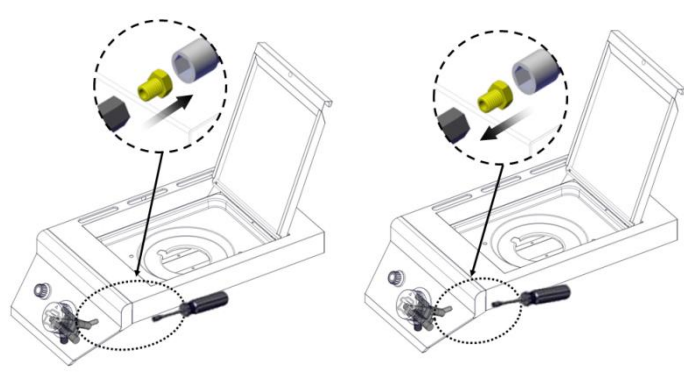


Change the Side burner Orifices

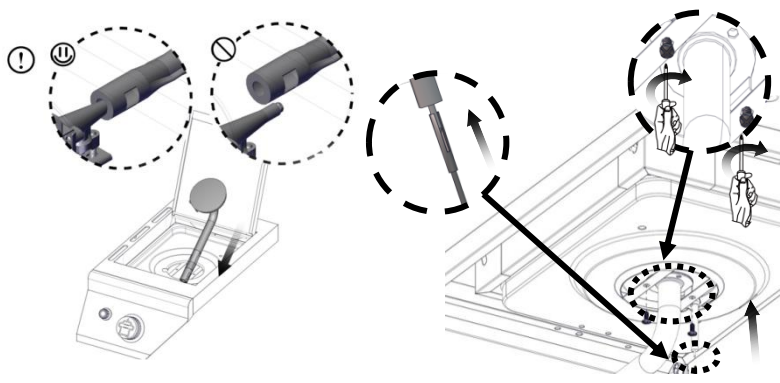
1. Remove the two screws which pre-assembled on side burner tube, then lift side burner tube out from side burner firebox, as shown below.



2. Use 6 mm socket wrench or 6 mm nut driver to remove the orifice. Replace with the Natural gas orifice.



IMPORTANT: Check that the orifice is properly installed inside of the valve.
 3. Reinstall side burner, tighten the side burner orifice brass connector and side burner tube by using a wrench.

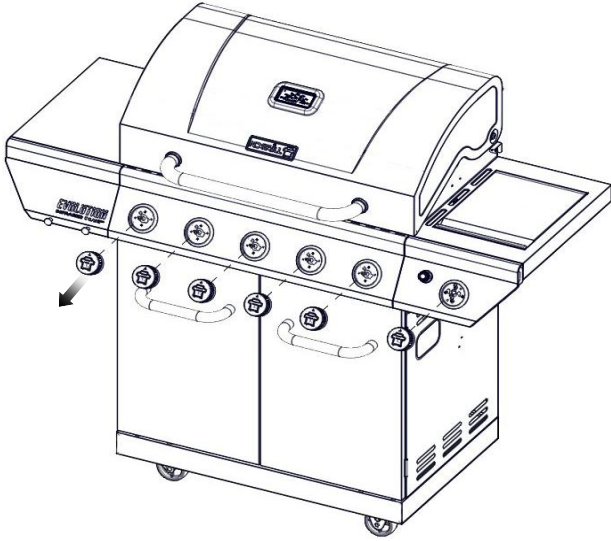


4. Open the manual shutoff valve in the gas supply. The valve is open when the handle is parallel to the gas pipe.
5. Test all connections using an approved noncorrosive leak- detection solution. Bubbles will show a leak. Correct any leak found.

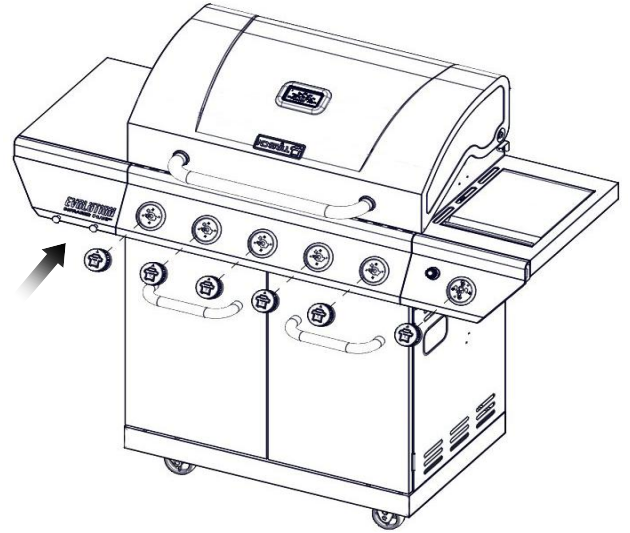
Adjust High/Low Flame Setting Screw

When converting from LP to Natural gas, you will need to adjust the high flame setting screw for ideal burner flame height.

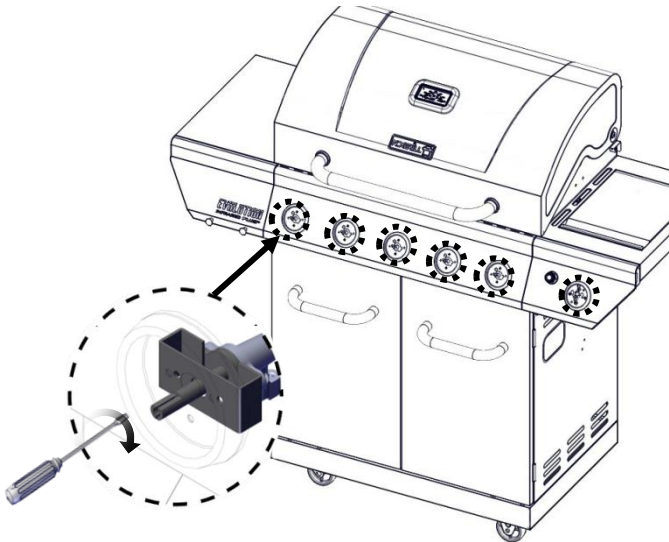
1. Remove each control knob for the main burners and side burner



4. Replace the control knob and turn off the burner.
5. Repeat steps 3 through 6 for each burner if needed.
6. Replace the flame tamers and grates after the burners have been cooled.



2. Use a flat-blade screwdriver to turn the high flame setscrew clockwise approximate 90°.



3. Check that burner operates at the new high flame setting. It may be necessary to adjust the screw setting slightly more to get the ideal burner flame height.

Instrucciones de seguridad..	24	Ordenar repuestos.	35
Conexión de gas.	28	Tabla de cocción en la parrilla	35
Lista final de control para el instalador.	29	Sugerencias de recetas para hacer en la parrilla.	37
Control de fugas.	29	Garantía limitada.	39
Instrucciones de encendido de la parrilla.	30	Conversión de gas natural	40
Cocinando con EVOLUTION Infrared PLUS™.	31	Vista en detalle	65
Cuidado y mantenimiento.	32	Lista de partes	67
Localización y resolución de problemas	33		

⚠ RESIDENTES DE CALIFORNIA SOLAMENTE - ADVERTENCIA: Este producto y los combustibles usados para operar este producto (propano líquido), y los productos de la combustión de tales combustibles, pueden exponerle a los productos químicos incluyendo el benceno, que es conocido por el Estado de California para causar cáncer y daño reproductivo. *Para más información, visite www.P65Warnings.ca.gov*

En el estado de Massachusetts se aplican las siguientes instrucciones de instalación:

- Las instalaciones y reparaciones se deben efectuar por un contratista, plomero o gasista calificado o licenciado por el estado de Massachusetts.
- Si se usa una válvula de bola, debe ser un tipo de manigueta T.
- Si se usa un conector de gas flexible no debe exceder de 3 pies.



PELIGRO

En caso de que usted huelga gas:


1. Cierre el suministro de gas del dispositivo.
2. Apague cualquier tipo de llama abierta.
3. Abra la tapa.
4. Si el olor persiste, manténgase alejado del dispositivo y llame inmediatamente a su proveedor del servicio de gas o al departamento de bomberos.


ADVERTENCIA


1. No almacene ni use gasolina u otros líquidos o vapores inflamables en las cercanías de este o cualquier otro dispositivo.
2. No se debe almacenar en las cercanías de este o cualquier otro dispositivo un cilindro de propano líquido (LP, por sus siglas en inglés) que no esté conectado para su uso.

PELIGRO

1. Nunca opere este dispositivo sin prestarle atención.
2. Nunca opere este dispositivo dentro de una distancia de 10 pies (3 m) de cualquier tipo de estructura, material combustible u otro cilindro con gas.
3. Nunca opere este dispositivo dentro de una distancia de 25 pies (7,5 m) de cualquier tipo de líquido inflamable.
4. No llene el recipiente de cocción más allá de la línea de llenado máximo.
5. Los líquidos calentados mantienen la temperatura de hervor aun mucho después del proceso de cocción. No toque el dispositivo de cocción hasta que la temperatura de los líquidos haya bajado a 115°F (45°C) o menos.
6. Este dispositivo no está diseñado ni debe usarse para calentar.
7. En caso de incendio, manténgase alejado del dispositivo e inmediatamente llame al departamento de bomberos. No intente extinguir el fuego originado por grasa o aceite con agua.

 En caso de que estas instrucciones no se cumplieran, ello podría dar como resultado un incendio o una explosión que podría causar lesiones corporales graves, la muerte o daños a la propiedad.

 Los productos derivados de la combustión que se producen al usar este producto contienen químicos que, según el Estado de California causan cáncer, defectos congénitos u otro trastornos del aparato reproductor

 Su parrilla llegará a tener una temperatura muy elevada. Nunca se incline sobre el área de cocción mientras use la parrilla. No toque las superficies de cocción, la carcasa de la parrilla, la tapa u otras partes de la parrilla mientras se encuentra en uso o hasta que la parrilla a gas se haya enfriado después del uso.



ADVERTENCIA

No intente encender este dispositivo sin antes leer la sección "INSTRUCCIONES DE ENCENDIDO" en el presente manual.

PROBADO CONFORME AL ESTÁNDAR ANSI Z21.58-2015 • CSA 1.6-2015 PARA DISPOSITIVO DE COCCIÓN A GAS PARA LUGARES ABIERTOS. ESTA PARRILLA ES EXCLUSIVA PARA USO EN LUGARES ABIERTOS.

Códigos de instalación de la parrilla

Para utilizar el método correcto de instalación, verifique los códigos locales de la propiedad. En caso de no existir códigos locales, la presente unidad deberá instalarse de acuerdo con lo dispuesto en el Código Nacional de Gas Combustible, ANSI Z223.1/NFPA 54, Almacenamiento y Manipulación de gases de petróleo licuados, ANSI / NFPA B149.2 o CSA B149.1 Código de Instalación de Gas Natural y Propano, y el Código Nacional de Electricidad., ANSI/NFPA 70.

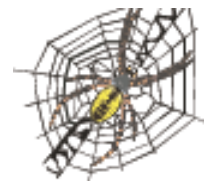
Uso correcto del tanque de gas LP

Los modelos de parrilla de gas LP están diseñadas para que se usen con un tanque de gas propano líquido de 20 lb estándar, que no está incluido con la parrilla. **Nunca** conecte su parrilla de gas a un tanque de gas propano líquido que supere esta capacidad.

NOTA: El flujo normal de gas que va por el ensamble del regulador y la manguera puede causar un zumbido. Un volumen bajo de ruido es perfectamente normal y no interferirá con la operación de la parrilla. Si el zumbido es fuerte y excesivo, es posible que deba purgar el aire de la línea de gas o reajustar el dispositivo de flujo de gas en exceso del regulador. Este procedimiento de purga debe hacerse cada vez que se conecte un nuevo tanque de gas LP a la parrilla.

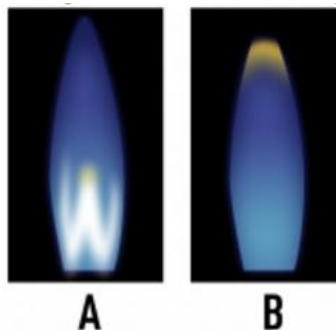
PRECAUCIÓN: Tenga cuidado con los fogonazos

PRECAUCIÓN: Las arañas e insectos pequeños pueden ocasionalmente tejer telillas o hacer nidos en los tubos de los mecheros de la parrilla durante el transporte o mientras están en el depósito. Estas telillas pueden causar obstrucciones en el flujo de gas, que podrían hacer que se quemen los tubos de los mecheros y las áreas circundantes. Esta clase de fuego se denomina "FOGONAZO" y puede provocar daños serios en la parrilla y crear una condición de operación insegura para el usuario.



Aunque el tubo de un mechero obstruido no es la única causa para que se genere un "FOGONAZO", es la más común.

A fin de minimizar las probabilidades de que ello ocurra, usted debe limpiar los tubos de los mecheros antes de armar la parrilla y luego por lo menos una vez al mes hacia el final del verano o a principios del otoño que es cuando las arañas tienen mayor actividad. Asimismo realice este procedimiento de limpieza si usted no ha usado la parrilla durante un tiempo prolongado. Un tubo obstruido puede ocasionar un incendio debajo de la parrilla.



A: Llama de Gas natural
B: Llama de propano líquido (si corresponde)

Controle en forma visual las llamas de los mecheros antes de cada uso. Las llamas deben verse como en la foto. Si no se ven así, diríjase a la parte de mantenimiento de los mecheros en este manual.

Sistema de suministro de gas LP



- El incumplimiento de la información brindada podría ocasionar un incendio que provoque la muerte o lesiones graves.
- Un tanque de 20 libras de 12 pulgadas de diámetro por 18-1/4 pulgadas de alto aproximadamente es el tamaño máximo del tanque de gas LP para usar en la parrilla.
- El cilindro de suministro de gas LP debe estar construido y comercializado según lo dispuesto para los cilindros de gas LP del Departamento de Transporte de los Estados Unidos de América (DOT por sus siglas en inglés) o según los Estándares Nacionales de Canadá, CAN/CSA-B339, Cilindros, Esferas y Tubos para el Transporte de Artículos y Comisiones peligrosos.
- El tanque de gas propano líquido debe tener una válvula de cierre con una terminal en una válvula de salida de LP que sea compatible con un tipo 1. El cilindro de suministro de gas propano líquido debe tener una válvula de cierre con una terminal en una válvula de salida específica para conexiones tipo QCC1 según los estándares para salidas de válvulas de los cilindros para gas comprimido y las conexiones de entrada ANSI/CGA-V-1, según corresponda. El cilindro de suministro de gas propano líquido debe estar equipado con un Dispositivo de Prevención de Sobrecarga. El tanque de gas propano líquido también debe contar con un dispositivo de escape de seguridad que tenga una conexión directa con el espacio de vapor del tanque. Esta característica de seguridad impide que el tanque se llene en exceso, lo que puede causar un mal funcionamiento del tanque de gas LP, el regulador y / o la parrilla.
- El sistema de suministro del tanque debe estar adaptado para la salida de vapores.
- El tanque de gas LP debe tener un collarín que proteja la válvula del tanque.
- Coloque la tapa anti-polvo sobre la salida de la válvula del cilindro siempre que el mismo no esté en uso. Instale sólo el tipo de tapa anti-polvo sobre la salida de la válvula del cilindro que viene con la mencionada válvula. Otros tipos de tapas o taponos pueden causar fugas de propano.
- **Jamás** conecte un tanque de gas LP sin regular a la parrilla a gas.
- El dispositivo de cocción a gas para espacios abiertos está equipado con una manguera/regulador de alta capacidad para que se lo conecte a un cilindro de propano líquido estándar de 20lb. Cilindro de propano líquido.
- Haga llenar su tanque de gas LP por un distribuidor de gas propano autorizado y que éste realice una inspección ocular y lo deje en condiciones cada vez que llene el tanque.
- No guarde un cilindro de gas LP de repuesto debajo de o cerca de este dispositivo.
- Al llenar el cilindro, jamás supere el 80 por ciento de su capacidad.
- Siempre mantenga los tanques de gas LP en posición vertical.
- No almacene ni use combustible u otros vapores o líquidos inflamables en las cercanías de este o cualquier otro dispositivo.
- Podrá guardar el dispositivo de cocción a gas para espacios abiertos en un lugar cerrado sólo si desconecta el cilindro y lo quita del dispositivo.
- Cuando su parrilla a gas no esté en uso, se debe cerrar el paso de gas en el tanque de gas LP.

UBICACIÓN Y ESPACIO LIBRE APROPIADO PARA LA PARRILLA

- Nunca use la parrilla de gas en un garaje, entrada, cobertizo, corredor o cualquier otro lugar cerrado. La parrilla a gas es para uso exclusivo en lugares abiertos. No instale esta unidad en recintos combustibles. Los laterales y la parte trasera de la unidad deben estar a una distancia mínima de construcciones combustibles: 36 pulgadas (91cm) en los laterales y 36 pulgadas (91cm) la parte trasera.
- **NO** instale esta unidad en recintos combustibles elevados. No instale este dispositivo de cocción a gas para espacios abiertos dentro o en vehículos y/o barcos recreacionales.

- Debe cerrar el paso de gas desde el cilindro de suministro cuando no esté utilizando el dispositivo de cocción a gas para espacios abiertos.
- Los tanques de gas LP deben guardarse en espacios abiertos, en áreas bien ventiladas y fuera del alcance de los niños. No deben guardarse los tanques de gas LP desconectados en viviendas, garajes o en cualquier otro tipo de lugar cerrado.
- No obstruya el flujo de aire de la ventilación que se encuentra en la carcasa de la parrilla a gas. Sólo use el ensamble del regulador y la manguera que vienen con su parrilla a gas. Los ensambles de los reguladores y de la manguera de reemplazo deben ser los que se especifican en este manual.
- El ensamble del regulador y la manguera deben inspeccionarse con anterioridad cada vez que utilice la parrilla. En caso de que exista abrasión o desgaste excesivo o si la manguera está cortada, esta debe reemplazarse antes de utilizar la parrilla. El ensamble de la manguera reemplazada debe ser el que indica el fabricante.
- Deben utilizarse el regulador de presión y el ensamble de la manguera que vienen con el dispositivo de cocción a gas para espacios abiertos. Jamás utilice otros tipos de reguladores. Póngase en contacto con el servicio al cliente para solicitar al fabricante piezas de repuesto específicas.
- Este dispositivo de cocción a gas para espacios abiertos está equipado con un regulador de presión que cumple con los estándares de las válvulas reguladoras de presión para gas LP ANSI/UL 144.
- No use ningún tipo de briquetas en la parrilla.
- La parrilla está diseñada para funcionar correctamente sin la utilización de briquetas. No coloque briquetas en la parte radiante ya que esto bloqueará el área por la que se ventilan los mecheros de la parrilla. El agregado de briquetas pueden dañar los componentes y las perillas de encendido y dejará sin efecto la garantía.
- Mantenga los laterales y la parte trasera del carro libre y limpia de desechos. Mantenga cualquier cable de electricidad, o el cable del motor del asador alejado de las áreas calientes de la parrilla.
- Jamás utilice la parrilla cuando las condiciones climáticas sean muy ventosas. En caso de utilizarla en un área de viento constante (frente al mar, cima de una montaña, etc.) necesitará utilizar un protector contra el viento. Siempre mantenga el espacio libre circundante adecuado.
- Jamás utilice un tanque de propano abollado u oxidado.
- Mantenga todos los cables con electricidad y la manguera de combustible alejadas de superficies calientes.
- Mientras la enciende, mantenga su rostro y manos lo más alejadas posibles de la parrilla.
- Cualquier ajuste a los mecheros debe realizarse una vez que estos se han enfriado.



ADVERTENCIA

Su parrilla llegará a tener una temperatura muy elevada. Nunca se incline sobre el área de cocción mientras use la parrilla. No toque las superficies de cocción, la carcasa de la parrilla, la tapa o cualquier otra pieza de la parrilla mientras ésta esté operando o hasta que la parrilla de gas se haya enfriado luego de usarla.

El incumplimiento de estas instrucciones puede dar como resultado lesiones corporales graves.

PRECAUCIÓN: PARA GARANTIZAR LA PROTECCIÓN CONTINUA CONTRA EL RIESGO DE DESCARGA ELÉCTRICA, CONECTE ADECUADAMENTE SÓLO A TOMACORRIENTE CON CONEXIÓN A MASA. PARA REDUCIR EL RIESGO DE DESCARGA ELÉCTRICA, MANTENGA LA CONEXIÓN DEL CABLE DE EXTENSIÓN SECO Y ELEVADO DEL NIVEL DEL SUELO.



ADVERTENCIA

Tenga una botella con una mezcla de agua y jabón cerca de la válvula de suministro de gas y controle las conexiones antes de cada uso.

NO UTILICE PAPEL DE ALUMINIO PARA REVESTIR LAS REJILLAS DE LA PARRILLA NI LA PARTE INFERIOR DE ESTA.

Esto podría alterar el flujo de aire para la combustión o retener demasiado calor en el área de control.

PRÁCTICAS DE SEGURIDAD PARA EVITAR LESIONES PERSONALES

Mientras se la utilice con el cuidado debido, la parrilla le brindará un servicio seguro y confiable durante años. Sin embargo, debe tenerse extremo cuidado ya que la parrilla produce grandes temperaturas que pueden aumentar las posibilidades de que ocurra un accidente. Al utilizar este dispositivo, se deben seguir ciertas prácticas de seguridad básicas entre las que se encuentran:

No repare o reemplace ninguna parte de la parrilla a menos que se recomiende lo contrario en el presente manual. Todos los demás servicios de mantenimiento los debe realizar un técnico capacitado.

Esta parrilla no debe instalarse en o sobre vehículos o barcos recreacionales.

No se debe dejar a los niños solos o descuidados en el área en la que se está utilizando la parrilla. Jamás les permita sentarse, pararse o jugar en o cerca de la parrilla.

No guarde artículos que pudieran interesarle a los niños cerca o debajo de la parrilla.

No permita que telas, agarraderas o cualquier otro material inflamable entren en contacto o estén muy cerca de la armadura, un mechero o superficie caliente hasta que se haya enfriado. La tela podría prenderse fuego y ocasionar lesiones físicas.

Para su seguridad personal, utilice vestimenta adecuada. No debe utilizar prendas sueltas ni con mangas cuando utiliza el dispositivo. Algunas telas sintéticas son muy inflamables y por lo tanto, sería apropiado que quien cocina no vista este tipo de prendas.

Sólo algunos tipos de vidrio, vidrios cerámicos resistentes al calor, vajilla de barro cocido u otros utensilios vidriados son aptos para utilizarse en la parrilla. Estos materiales podrían romperse con los cambios bruscos de temperatura. Utilícelos sólo con temperaturas bajas o medias, de acuerdo con las pautas del fabricante.

No caliente envases de comida cerrados. Una acumulación de presión podría hacer que el envase explote.

Grasa es inflamable. Deje enfriar la grasa caliente antes de intentar manejarlo. Evitar que la grasa depósitos acumulan en la parte inferior de la Asamblea de tazón de fuente de parrilla y la bandeja de grasa en la parte inferior del fogón de la parrilla. Quitar la grasa de la parte inferior del ensamble de la taza de parrilla y bandeja para la grasa a menudo.

Cuando abra la tapa de la parrilla, utilice un guante. Jamás se incline sobre la parrilla cuando ésta esté abierta.

Cuando esté encendiendo un mechero, preste atención a lo que está haciendo. Asegúrese de saber qué mechero está encendiendo para así mantener su cuerpo y ropas alejados de las llamas encendidas.

Cuando utilice la parrilla, no toque la rejilla de la parrilla, la armadura de los mecheros o las áreas circundantes ya que estas alcanzan temperaturas elevadas y podrían provocar quemaduras. Sólo utilice agarraderas secas. Las agarraderas húmedas o mojadas sobre superficies calientes podrían ocasionar quemaduras por vapor. No utilice toallas o telas gruesas para reemplazar las agarraderas. No permita que las agarraderas entren en contacto con las partes calientes de la rejilla de la parrilla.

La grasa es inflamable. Antes de deshacerse de la grasa, déjela enfriar. No deje que se acumulen depósitos de grasa en la bandeja para grasa que se encuentra debajo del fogón de la parrilla. Limpie con frecuencia la bandeja para grasa

No utilice papel de aluminio para revestir las rejillas de la parrilla ni la parte inferior de ésta. Esto podría alterar el flujo de aire para la combustión o retener demasiado calor en el área de control. Para que los mecheros se enciendan y funcionen correctamente, mantenga limpios los orificios de los mecheros. Es necesario limpiarlos con frecuencia para que su funcionamiento sea óptimo. Los mecheros sólo funcionarán en una posición y deben instalarse correctamente para que su funcionamiento sea seguro.

Limpie la parrilla con cuidado. Para evitar quemaduras por vapor, no utilice una esponja o tela húmedas para limpiar la parrilla cuando esté caliente. Algunos artículos de limpieza producen gases tóxicos o pueden prenderse fuego si se los utiliza sobre superficies calientes.

Apague los controles de la parrilla y asegúrese de que la parrilla esté fría antes de aplicar algún limpiador en aerosol sobre o cerca de la parrilla. El químico que se produce cuando se pulveriza, podría, ante la presencia de calor, causar un incendio o corroer las partes metálicas.

No utilice la parrilla para cocinar carnes con mucha grasa u otros productos que pudieran ocasionar llamaradas.

No utilice la parrilla debajo de construcciones combustibles no protegidas. Utilícela solo en áreas bien ventiladas. No la utilice en edificios, garajes, galpones, galerías u otras áreas cerradas.

Mantenga el área de alrededor de la parrilla libre de materiales combustibles como fluidos, desechos, y vapores tales como fluidos de encendido de gasolina o carbón. No obstruya el flujo de combustión y del aire de la ventilación.



ADVERTENCIA

No instale este dispositivo de cocción a gas para espacios abiertos dentro o sobre barcos. Y otros vehículos recreacionales.

NUNCA CONECTE AL DISPOSITIVO UNA TUBERÍA DE SUMINISTRO DE GAS SIN REGULAR. USE EL ENSAMBLE DE REGULADOR/MANGUERA SUMINISTRADO.

Ésta es una parrilla diseñada para utilizarse con propano líquido. No intente usar un suministro de gas natural a menos que la parrilla haya sido diseñada para su uso con gas natural. El consumo total de gas (por hora) de esta parrilla de acero inoxidable con todos los mecheros en posición MÁXIMA "HIGH".

Quemador principal	45,000 Btu/hr
Quemador lateral	12,000 Btu/hr
Total	57,000 Btu/hr

REQUISITOS DEL TANQUE DE PROPANO LÍQUIDO

Un tanque de propano líquido abollado u oxidado puede resultar peligroso y su proveedor de LP debe controlarlo. Nunca use un cilindro con una válvula dañada. El cilindro de gas propano líquido debe estar construido y marcado según las especificaciones para los cilindros de gas LP del Departamento de Transporte de los EE.UU. (DOT) o según los Estándares Nacionales de Canadá, CAN/CSA-B339, Cilindros, Esferas y Tubos para el Transporte de Artículos Peligrosos; y Comisión, según corresponda. Debe haber un dispositivo de prevención de sobrecarga (OPD) en el cilindro y la conexión QCCI de la válvula del cilindro, ANSI/CGA-V-1. El sistema de suministro del cilindro debe estar adaptado para la salida de vapores. El cilindro debe incluir un collarín para proteger la válvula del cilindro. El cilindro debe estar equipado con una válvula de cierre con una terminal en una válvula de salida del cilindro de suministro de gas propano líquido compatible, según corresponda, para el tipo de conexión QCC1 en el estándar para salidas de válvulas de los cilindros de gas comprimido y las conexiones de entrada ANSI/CGA-V-1.

Presión del colector: 11" (27,94cm) columna de agua (c.d.a).

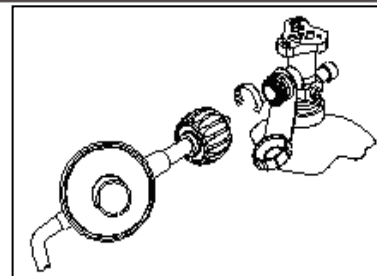
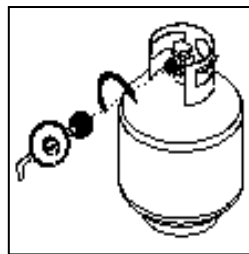
INSTALACIÓN DEL GAS LP

Asegúrese de que las arandelas aislantes de plástico negro en la válvula del cilindro de propano líquido se encuentren en su lugar y que la manguera no entre en contacto con la bandeja para grasa o con la parte superior de la parrilla.

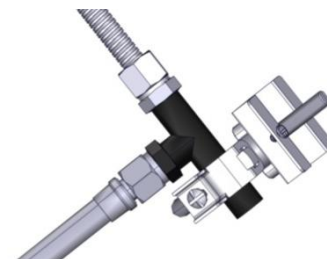
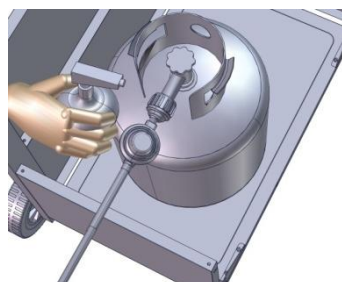
CONEXIÓN

Su parrilla de acero inoxidable está equipada con orificios de suministro de gas para usar únicamente con gas propano líquido. Además, está equipada con una manguera/regulador de alta capacidad para que se lo conecte a un cilindro estándar de propano líquido de 20lb (18-1/4" (46,35cm) de alto por 12-1/4"(31cm) de diámetro). Para conectar el cilindro de suministro de gas LP, siga los siguientes pasos a continuación:

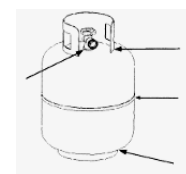
1. Asegúrese de que la válvula del tanque está en total posición de apagado (gírela en sentido de las agujas del reloj para cerrarla).
2. Verifique la válvula del tanque para asegurarse de que tiene las roscas macho externas adecuadas (conexión tipo 1 por ANSIZ21.81).



3. Asegúrese de que todas las válvulas de los mecheros estén en posición de apagado (OFF).
4. Revise las conexiones de las válvulas, los puertos y el ensamble del regulador. Observe si hay daños o residuos. Quite cualquier tipo de desechos. Observe bien la manguera para detectar daños. Jamás intente utilizar equipamiento dañado u obstruido. Póngase en contacto con su proveedor local de gas LP para solicitar reparaciones.
5. Cuando conecte el ensamble del regulador a la válvula, ajuste en forma manual, y en sentido de las agujas del reloj, la tuerca de acoplado rápido hasta cerrarla por completo. No utilice una llave de tuercas para ajustarla. Si utiliza una llave de tuercas, esto podría dañar la tuerca de acoplado rápido y generar una situación peligrosa.
6. Abra la válvula del tanque por completo (en sentido contrario de las agujas del reloj) Aplique la solución jabonosa con un cepillo limpio en todas las conexiones de gas. Observe a continuación. Si aparecen formaciones de burbujas en la solución, las conexiones no están selladas apropiadamente. Verifique cada conexión y ajústelas o repárelas según sea necesario.



7. Si tiene una fuga en la conexión de gas que no pueda reparar, cierre el paso de gas (OFF) en el tanque de suministro, desconecte la línea de combustible de la parrilla y llame al U.S.A:1-800-913-8999 o a su proveedor de servicios de gas para que lo asista en la reparación.
8. Asimismo, aplique la solución jabonosa en las juntas del tanque. Observe a continuación. Si aparecen formaciones de burbujas, cierre el tanque (OFF) y no lo use ni lo mueva. Contacte al proveedor especialista en gas LP o al departamento de bomberos de su localidad para obtener asistencia.



Para desconectar el cilindro de gas LP:

1. Cierre las válvulas de los mecheros.
2. Cierre por completo la válvula del tanque (gírela en sentido de las agujas del reloj para cerrarla).
3. Desprenda el ensamble del regulador de la válvula del tanque girando la tuerca de acoplado rápido en sentido contrario de las agujas del reloj.

- ✓ Los laterales y la parte trasera de la unidad están a una distancia mínima de construcciones combustibles de 36 pulgadas (91cm) en los laterales y 36 pulgadas (91cm) la parte trasera
- ✓ Las perillas giran con libertad
- ✓ Los mecheros están ajustados y se encuentran sobre los orificios
- ✓ El regulador de presión está conectado y ajustado. Las conexiones de gas de la parrilla utilizan la manguera y el regulador de ensamble provistos (pre ajustados para c.d.a. de 11.0")
- ✓ Unidad verificada y sin fugas
- ✓ Se le indica al usuario dónde se encuentra la válvula de cierre del suministro de gas

EL USUARIO DEBE CONSERVAR EL PRESENTE MANUAL PARA REALIZAR FUTURAS CONSULTAS ADVERTENCIAS SOBRE EL CILINDRO DE PROPANO

- a) No guarde un cilindro de gas LP de repuesto debajo de o cerca de este dispositivo
- b) Al llenar el cilindro, JAMÁS supere el 80 por ciento de su capacidad
- c) Si no se cumplen con las instrucciones en "a" y en "b", podría ocurrir un incendio o explosión que provoque la muerte o lesiones graves

Control de fugas

GENERAL

A pesar de que en la fábrica se verifican todas las conexiones de gas de la parrilla antes de despacharla, se debe llevar a cabo otro control de las instalaciones de gas en el lugar donde se vaya a instalar el dispositivo, ya que durante el envío la unidad puede haber sufrido algún maltrato o se le puede haber aplicado demasiada presión sin darse cuenta. Revisar periódicamente todo el sistema para detectar fugas siguiendo los procedimientos descritos a continuación. Si detecta olor a gas en cualquier momento debe revisar todo el sistema de inmediato para detectar posibles fugas.

ANTES DE REALIZAR LAS PRUEBAS

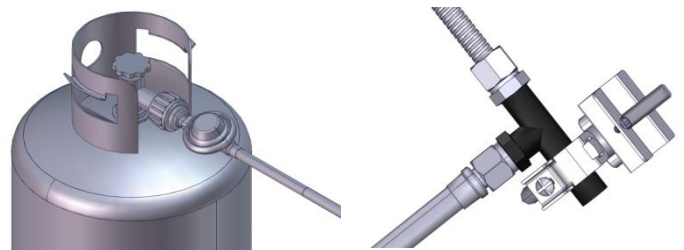
Asegúrese de retirar todo el material de empaque de la parrilla, incluso las correas utilizadas para atar.

NO FUME MIENTRAS BUSCA FUGAS DE GAS. NUNCA BUSQUE FUGAS DE GAS CUANDO HAYA UNA LLAMA ENCENDIDA .

Haga una solución de jabón: mitad de detergente líquido y mitad de agua. Necesitará una botella rociadora, un cepillo o un trapo para aplicar la solución sobre los accesorios. Para la prueba inicial, asegúrese de que el cilindro de LP esté lleno en un 80%.

PARA HACER LA PRUEBA

1. Asegúrese que las válvulas de control estén apagadas y abra el suministro de gas.
2. Verifique todas las conexiones del regulador de gas LP y de la válvula de suministro, incluso la conexión al ensamble de la tubería del colector (la tubería que va hacia los mecheros). En caso de que haya alguna fuga, aparecerán burbujas de jabón.
3. En caso de que haya una fuga, cierre el suministro de gas de inmediato y ajuste los accesorios que tengan pérdidas.
4. Vuelve a encender el gas y verifique nuevamente.
5. En caso de que alguno de los accesorios siga teniendo pérdidas, cierre el suministro de gas y póngase en contacto con el servicio al cliente al U.S.A:1- 800-913-8999.



Sólo deben utilizarse en la parrilla aquellas partes que recomienda el fabricante.

El reemplazo de cualquier parte dejará sin efecto la garantía. No utilice la parrilla hasta no haber verificado todas las conexiones y que éstas no pierdan.

CONTROL DEL FLUJO DE GAS

Cada mechero de la parrilla se controla y ajusta en la fábrica antes de despacharlo. Sin embargo, puede que sea necesario ajustar los mecheros debido a variaciones en los suministros de gas locales. Las llamas de los mecheros deben verificarse visualmente.

Las llamas deben ser azules y estables y las puntas no deben ser amarillas. Tampoco deben producir ruido en exceso ni levantarse. En caso de presentarse alguno de estos cuadros, compruebe que los obturadores de aire o los puertos de los mecheros no estén obstruidos con suciedad, desechos, telas de araña, etc. Si tiene alguna duda respecto de la estabilidad de las llamas, póngase en contacto con el servicio al cliente al U.S.A:1- 800-913-8999.

LUEGO DE CAMBIAR UN TANQUE LP, SIEMPRE DEBE VERIFICAR QUE NO HAYA FUGAS.

Antes de utilizar la parrilla, verifique todos los accesorios de suministro de gas para buscar posibles fugas. Se aconseja tener un rociador con agua con jabón cerca de la válvula de cierre de la tubería de suministro de gas. Rocíe todos los accesorios. Si aparecen burbujas, esto indicará que hay fugas.

USO GENERAL DE LA PARRILLA Y EL ASADOR

Cada mechero principal tiene una tolerancia de 9,000 Btu/hr. Los mecheros principales de la parrilla comprenden toda el área de cocción y cuentan con un puerto lateral para minimizar el bloqueo causado por la caída de grasa y residuos. Las perillas de encendido están ubicadas en la parte inferior del panel de válvulas. Cada encendedor rotatorio está rotulado en el panel de control.

CÓMO UTILIZAR LA PARRILLA

Para asar algo es necesario tener altas temperaturas para que el fuego sea abrazador y la comida se dore correctamente. La mayoría de los alimentos se cocinan en la posición de máximo (HIGH) durante todo el tiempo de cocción. Sin embargo, cuando se asan piezas grandes de carne o aves, puede que sea necesario bajar el calor a la temperatura mínima una vez que el alimento ya se doró. Este procedimiento cocina la comida por dentro sin quemar la parte externa. Los alimentos que requieren un largo tiempo de cocción o aquellos que se rocían con algún adobo dulce, pueden necesitar una temperatura menor una vez que ya están casi listos.

NOTA: Esta parrilla fue diseñada para asar correctamente sin la necesidad de utilizar rocas volcánicas o briquetas de ningún tipo. Los domadores de llamas que se encuentran sobre cada uno de los mecheros son los que irradian el calor.

NOTA: Cuando la parrilla está caliente, la comida se dora rápidamente y los jugos quedan dentro de esta. Cuanto más se precaliente la parrilla, más rápido se dorará la carne y las marcas de la parrilla serán más oscuras.

NO DESCUIDE LA PARRILLA DURANTE LA COCCIÓN.

ADVERTENCIA: ¡IMPORTANTE!

USO DEL MECHERO LATERAL

Inspeccione la manguera del suministro de gas antes de abrir el paso del gas (ON). Si hubiera evidencias de cortes, desgaste o abrasión, debe reemplazarla antes de usar la parrilla. No use el mechero lateral si hubiera olor a gas.

Instrucciones de encendido de la parrilla

Nota: Retire todo el envoltorio, incluso las correas, antes de usar la parrilla

ADVERTENCIA: ¡IMPORTANTE!

ANTES DE ENCENDERLA...

Inspeccione la manguera del suministro de gas antes de abrir el paso del gas (ON). Si hubiera evidencias de cortes, desgaste o abrasión, debe reemplazarla antes de usar la parrilla. No utilice la parrilla si hubiera olor a gas. Sólo debe utilizar el regulador de presión y el ensamble de la manguera que vienen con la unidad.

Jamás reemplace los ensambles de los reguladores y de la manguera por otros que no sean los que vienen con la parrilla. Si es necesario cambiarlos, póngase en contacto con el fabricante para realizar el cambio adecuado. El cambio debe ser aquel que se especifica en el manual.

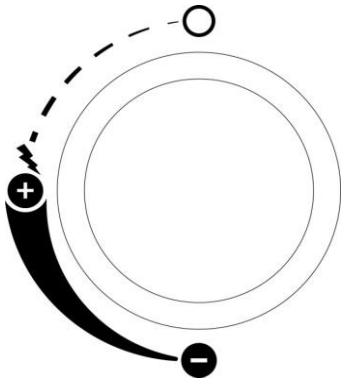
ADVERTENCIA: Siempre mantenga su rostro y su cuerpo tan alejado como pueda del mechero al encenderlo.



MECHERO PRINCIPAL

QUEMADOR LATERAL

ENCENDIDO DEL MECHERO PRINCIPAL



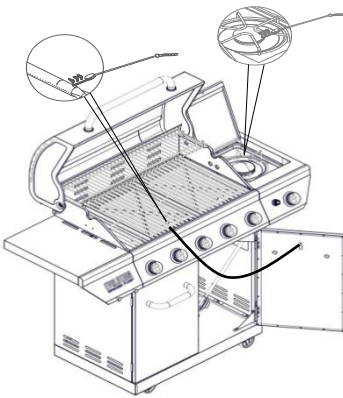
A la luz de la principal/lateral/trasera/SEAR BURNER (si corresponde)

1. Asegúrese que la tapa se abre.
2. Encienda la válvula del tanque de gas.
3. Empuje y gire la perilla de control de hornilla ah correspondiente mientras mantiene pulsado el botón de encendido electrónico para encender el quemador.
4. una vez encendido el quemador, suelte la perilla y botón de encendido electrónico.
5. Si la hornilla no se enciende, gire la perilla a 0 y repita el ⚡ procedimiento de encendido.

ENCENDIDO CON UN CERILLO

mechero principal

quemador lateral



1. Si el mechero no se enciende después de varios intentos, entonces puede encender el mechero con un cerillo; antes de utilizar el cerillo, deje pasar 5 minutos para que se disipe el gas acumulado.
2. Sujete un cerillo de papel en un extremo de la varilla de encendido
3. Encendido con un cerillo.
4. Sostenga la varilla de encendido e inserte el cerillo encendido junto a los puertos del mechero o la pieza de cerámica.
5. Presione y gire la perilla de control que corresponda a la posición de máximo ⚡.
6. El mechero debe encenderse de inmediato.

Cada unidad del quemador se ajusta antes de su envío; Sin embargo, las variaciones en el suministro de gas local pueden realizar pequeños ajustes necesarios.

No intente encender la parrilla si hubiera olor a gas. Para obtener asistencia comuníquese al 1-800-913-8999.

Tenga una botella con una mezcla de agua y jabón cerca de la válvula de suministro de gas y controle las conexiones antes de cada uso.

Cocinando con EVOLUTION Infrared PLUS™

EVOLUTION

INFRARED PLUS™

Por favor consulte a su
"Guía Para La Parrilla de
EVOLUTION Infrared PLUS™"

Para explorar y disfrutar de hasta 64
configuraciones únicas disponibles para usted.

Para detalles adicionales e información, consejos para asar, y el cuidado y mantenimiento de su parrilla **EVOLUTION Infrared PLUS™**, por favor visítenos en www.nexgrill.com/evolution.

ACERO INOXIDABLE

Hay diversas clases de limpiadores de acero inoxidable que se pueden utilizar. Siempre aplique primero el procedimiento de limpieza más suave, y limpie en la dirección de la mancha. No utilice lana de acero dado que rayará la superficie. Para retocar los rayones visibles en el acero inoxidable, lijear muy suavemente con papel de esmeril seco de grano n° 100 en la dirección de la mancha. Pueden juntarse manchas de grasa en la superficie del acero inoxidable y derretirse en la superficie y parecerá que la parrilla está oxidada. Para quitarlas, utilice una almohadilla abrasiva suave junto con un limpiador para acero inoxidable.

ARMADURA DE LA PARRILLA

La manera más fácil de limpiar la parrilla es hacerlo apenas terminó la cocción y se apagó la llama. Utilice un guante para proteger su mano del calor y el vapor. Sumerja en agua un cepillo con cerdas de bronce y refriegue la parrilla caliente. Sumerja el cepillo en el envase con agua de manera frecuente. El vapor que se crea cuando el agua entra en contacto con la superficie caliente ayuda al proceso de limpieza ya que ablanda las partículas de comida. Si deja que la parrilla se enfríe antes de limpiarla, será más difícil limpiarla.

ASEGÚRESE DE QUE EL SUMINISTRO DE GAS Y LAS PERILLAS ESTÉN EN LA POSICIÓN DE APAGADO (OFF). ASEGÚRESE DE QUE EL MECHERO SUPERIOR ESTÉ FRÍO ANTES DE QUITARLO.

MECHEROS DE LA PARRILLA

Debe tener extremo cuidado cuando mueva un mechero ya que debe estar centrado correctamente en el orificio antes de que intente volver a encender la parrilla. La frecuencia de limpiado dependerá de cuán a menudo utilice la parrilla.

LIMPIEZA DEL MECHERO PRINCIPAL DE LA PARRILLA

Asegúrese de que el suministro de gas esté apagado y que las perillas estén en la posición de apagado (OFF). Asegúrese de que la parrilla esté fría. Limpie la parte externa del mechero con un cepillo de alambre. Quite el óxido difícil de sacar con una espátula de metal. Limpie los puertos obstruidos con un clip estirado. Jamás utilice un palillo de madera ya que podría romperse y obstruir el puerto. Controle que ningún insecto u otro tipo de obstrucción interfieran en el flujo de gas a través del mechero. En caso de ser así, póngase en contacto con la línea de servicio al cliente al U.S.A: 1- 800-913-8999

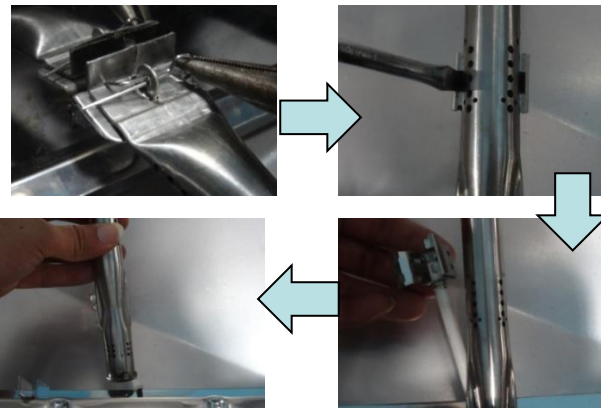
LIMPIEZA DE LA BANDEJA PARA GRASA

La bandeja para grasa debe vaciarse, secarse en forma periódica y lavarse con una solución hecha con detergente suave y agua tibia. Se puede colocar una pequeña cantidad de arena en la parte inferior de la bandeja para grasa a fin de que la absorba. Verifique con frecuencia la bandeja para grasa, no permita que se acumule grasa en exceso ni que haya desbordes en dicha bandeja.

Advertencia: Si desea reemplazar el mechero principal, recomendamos que contrate un técnico profesional para hacerlo. Tenga en cuenta que no nos haremos responsables en caso de obligación, lesión física o daño al bien como consecuencia de un mechero armado de manera incorrecta.

CÓMO REEMPLAZAR EL MECHERO PRINCIPAL

Paso 1. Retire el quemador principal pin "R" en la pared trasera de la caja de fuego mediante el uso de pinzas de punta de aguja. Utilice un destornillador de punta plana para quitar la cubierta pin quemador, a continuación, retire el quemador en la pared frontal de la caja de fuego, como se muestra a continuación.



Paso 2. Inserte el quemador en el orificio y asegure la tapa pin quemador en un segundo plano, como se muestra a continuación, asegúrese objetivo orificio del quemador en el orificio.



Paso 3. Asegure el quemador principal en la pared trasera de la caja del fuego con "R" alfiler.



PRECAUCIÓN

1. Mantenga despejada y sin materiales combustibles, gasolina y demás vapores y líquidos inflamables el área donde se encuentra el dispositivo de cocción a gas para exteriores.
2. No obstruya el flujo de combustible y del aire de la ventilación.
3. Mantenga las aberturas de ventilación del cilindro libre y despejada de residuos.

ADVERTENCIA SOBRE ARAÑAS E INSECTOS

Inspeccione y limpie los mecheros / tubos de Venturi en caso de que haya insectos o nidos de insectos. Un tubo obstruido puede ocasionar un incendio debajo de la parrilla.

“FOGONAZO” y puede causar graves daños a la parrilla y generar condiciones de operación riesgosas para el usuario.

Aunque el tubo de un mechero obstruido no es la única causa para que se genere un "FOGONAZO", es la más común.

A fin de minimizar las probabilidades de que ello ocurra, usted debe limpiar los tubos de los mecheros antes de armar la parrilla y luego por lo menos una vez al mes hacia el final del verano o a principios del otoño que es cuando las arañas tienen mayor actividad. Asimismo realice este procedimiento de limpieza si usted no ha usado la parrilla durante un tiempo prolongado.

CUÁNDO INSPECCIONAR EN BÚSQUEDA DE ARAÑAS

Debe inspeccionar los mecheros una vez al año o inmediatamente después de que ocurra cualquiera de las siguientes situaciones:

1. Olor a gas junto con llamas amarillas en los mecheros.
2. La parrilla no toma temperatura.
3. La parrilla no se calienta de manera uniforme.
4. Los mecheros hacen ruido como si reventaran.

ANTES DE LLAMAR AL SERVICIO

Si la parrilla no funciona adecuadamente, emplee la siguiente lista de verificación antes de llamar a su proveedor para solicitar servicios. Puede ahorrarse el costo de una llamada de servicio.

PRECALENTAMIENTO: La tapa de la parrilla debe estar cerrada mientras se precalienta la parrilla. Es necesario precalentar la parrilla antes de cocinar ciertos alimentos, según el tipo de alimento y la temperatura de cocción. Los alimentos que requieran una alta temperatura de cocción necesitarán un precalentamiento de cinco minutos; los alimentos que requieran una temperatura de cocción baja necesitarán un período de dos a tres minutos.

TEMPERATURAS DE COCCIÓN

Temperatura máxima: utilice esta posición para calentar rápidamente, para dorar bifés y costillas y para cocinar a las brasas.

Temperatura mínima: utilice esta posición cuando ase, hornee y cuando cocine cortes magros, tales como el pescado.

Estas temperaturas variarán según la temperatura en el ambiente y la cantidad de viento.

Cocción con calor indirecto: Puede cocinar aves y grandes trozos de carne a la perfección a fuego lento de un lado de la parrilla ya que le puede dar calor indirecto de uno de los mecheros del lado opuesto. El calor del mechero encendido circula a través de la parrilla y de este modo cocina la carne o el ave sin que lo toque ninguna llama directamente. Este método reduce muchísimo las llamaradas cuando se cocinan cortes muy grasosos ya que no hay ninguna llama directa que encienda las grasas y los jugos que caen durante la cocción.

PRECAUCIÓN: Si los mecheros se apagan mientras los está utilizando, cierre la fuente del suministro de gas y todas las válvulas de gas. Abra la tapa y espere cinco minutos antes de intentar volver a encenderlos. (Esto hará que los gases acumulados se disipen).

PRECAUCIÓN: En caso de que la grasa se prenda fuego, cierre la fuente del suministro de gas, cierre todos los mecheros y deje la tapa cerrada hasta que se apague el fuego.

PRECAUCIÓN: NO intente desconectar ningún accesorio de gas mientras la parrilla esté en funcionamiento. Al igual que con todos los dispositivos, el cuidado y mantenimiento adecuados harán que la unidad continúe funcionando correctamente y prolongará su vida útil. Esta parrilla a gas no es una excepción a esta regla.

PRECAUCIÓN: La tapa del mechero lateral se calentará si se utiliza con la tapa cerrada.

PROBLEMA	SOLUCIÓN
Cuando intento encender la parrilla, esta no enciende de inmediato.	<p>Asegúrese de que haya chispa cuando intente encender el mechero (si no hay chispa)</p> <p>Asegúrese de que el cable está conectado al ensamble del electrodo. Compruebe si la batería está instalada correctamente.</p> <p>Limpie los cables y/o electrodos frotándolos con alcohol y un hisopo limpio. Séquelos con un trapo limpio.</p> <p>Verifique si los otros mecheros funcionan. De ser así, verifique si el orificio de gas del mechero que funciona mal tiene una obstrucción.</p>
El mechero del asador no enciende al presionar el botón de encendido.	<p>Verifique que no haya residuos que bloqueen el electrodo.</p> <p>Verifique que haya una chispa que salta al mechero desde el electrodo. Si no hay ninguna chispa visible, verifique la batería que se encuentra dentro de la caja del encendedor. Para abrir, gire en el sentido contrario al de las agujas del reloj</p> <p>¿El mechero infrarrojo trasero enciende cuando intenta con un cerillo? De no ser así, verifique que el suministro de gas esté abierto.</p>
El regulador hace ruido.	<p>La manguera de ventilación en el regulador puede estar tapada o el regulador puede tener fallas. Asegúrese de que el orificio de ventilación en el regulador no esté obstruido. Limpie el orificio, cierre las válvulas de control de gas. Espere diez minutos y ábralas de nuevo.</p> <p>Verifique que las llamas funcionen correctamente. Si las llamas no son como deberían ser, cambie el regulador.</p>
La funda no cubre toda la parrilla.	<p>La funda puede no ser la adecuada para su parrilla. Puede que sea muy ajustada.</p> <p>Asegúrese de que la funda tenga el largo apropiado para su parrilla.</p> <p>Mídala de izquierda a derecha. Compárela con la medida de la parrilla.</p> <p>Compare la ubicación y el tamaño de la campana de la funda con la parrilla.</p> <p>Abra la funda y déjela reposar preferentemente al sol o en una habitación cálida.</p> <p>Para las parrillas que tiene un estante lateral, arremangue a funda como una media y colóquela de izquierda a derecha.</p>
El motor del asador no gira	<p>Asegúrese de que el motor esté conectado a un suministro eléctrico adecuadamente conectado a masa.</p> <p>Asegúrese de que el interruptor de encendido y apagado (on/off) esté en la posición correcta.</p> <p>Asegúrese de que el extremo puntiagudo esté totalmente insertado dentro del motor del asador.</p> <p>Asegúrese de que la carga no supera la capacidad de operación de 40 libras.</p> <p>Asegúrese de que no haya ningún estorbo o carga.</p>
La parrilla sólo calienta entre 200 y 300°.	<p>Verifique si la manguera de combustible está doblada o torcida.</p> <p>Asegúrese de que el área de la parrilla no esté sucia.</p> <p>Asegúrese de que los quemadores y los orificios estén limpios.</p> <p>Verifique que no haya arañas ni insectos.</p> <p>El regulador tienen un dispositivo de seguridad que impide el flujo de gas en caso de que haya una fuga. El dispositivo de seguridad puede activarse sin que haya una fuga. Para resetear el dispositivo de seguridad, apague todos los mecheros y cierre la válvula del tanque LP. Desconecte el regulador del tanque LP y aguarde un minuto. Vuelva a conectar el regulador al tanque LP y abra lentamente la válvula del tanque LP hasta abrirla por completo. Encienda todos los mecheros y observe la temperatura.</p>
La parrilla toma mucho tiempo para precalentarse.	<p>La temperatura normal de precalentamiento es 500-600° y demora entre 10 y 15 min. Con temperaturas bajas o clima ventoso posiblemente el tiempo de precalentamiento sea mayor.</p> <p>Si utiliza rocas volcánicas o briquetas, estas pueden aumentar el tiempo de precalentamiento y la temperatura máxima.</p>
Las llamas de los mecheros no son celestes.	<p>Hay demasiado o poco aire para la llama.</p> <p>La altura es la causa principal. Sin embargo, el clima frío puede afectar la mezcla. Puede que sea necesario reajustar los mecheros.</p> <p>La parrilla está en un lugar con mucho viento.</p>

CÓMO SOLICITAR PIEZAS DE REPUESTO

Para asegurarse de que recibe el / los repuesto(s) adecuado(s) para su parrilla a gas, consulte la lista de partes en las páginas 67. Es necesaria la siguiente información para asegurarse que obtenga el repuesto correcto. Tenga en cuenta que el costo de envío para la entrega de piezas de repuesto corre por su cuenta.

- Número de modelo de las parrillas a gas (ver la etiqueta de información en la parrilla).
- Es necesario saber el número de repuesto de la pieza solicitada.
- Es necesario hacer una descripción del repuesto que se necesita.
- Cantidad de partes que necesita.

Para obtener piezas de repuesto, comuníquese con la línea de Servicio de Atención al Cliente al U.S.A:1-800-913-8999.

IMPORTANTE

Sólo utilice repuestos autorizados de fábrica. Puede ser peligroso que utilice repuestos no autorizados de fábrica. Esto también dejará sin validez su garantía.

Conserve este manual de armado e instrucciones de uso para consultas futuras y para ordenar repuestos.

Consejos para el uso de la parrilla

La cocción de la carne, ya sea poca, media o bien cocida, depende en gran medida del grosor del corte. Los chefs expertos sostienen que es imposible que un corte de carne angosto quede poco cocido.

El tiempo de cocción depende del tipo de carne, del tamaño y la forma del corte, de la temperatura de la carne cuando comienza la cocción y del grado de cocción que se desea.

Cuando se descongelan carnes, es recomendable dejarlas en la heladera durante la noche y no descongelarlas en el microondas. Por lo general, esto hace que el corte de carne sea más jugoso.

Para dar vuelta la carne utilice una espátula en lugar de pinzas o un tenedor ya que con la espátula no pincha la carne y por lo tanto, no se saldrán los jugos.

Para obtener carnes bien jugosas, agregue condimentos o sal de cada lado una vez que la cocción ha finalizado y dé vuelta la carne sólo una vez (se pierden los jugos cuando se da vuelta la carne varias veces). De vuelta la carne luego de que los jugos comiencen a hacer burbujas en la superficie.

Quite cualquier exceso de grasa de la carne antes de cocinarla. Para evitar que los bifés o las costillas se encojan durante la cocción, corte la grasa en los extremos cada 2 pulgadas.

NO DESCUIDE LA PARRILLA DURANTE LA COCCIÓN.

Tabla de cocción en la parrilla

ALIMENTO	PESO O ESPESOR	NIVEL DE TEMPERATURA	TIEMPO APROXIMADO	INSTRUCCIONES ESPECIALES Y SUGERENCIAS
VEGETALES				Corte en rodajas. Salpique con mantequilla o margarina. Envuelva con una lámina resistente. Cocínelos en la parrilla dándolos vuelta en forma ocasional.
Remolachas, zanahorias, nabos frescos		Media	De 12 a 20 minutos	Cocínelos en la parrilla dándolos vuelta una vez. Pinte ocasionalmente con manteca o margarina derretida.
Cebolla	Rodajas de 1/2 pulgada	Media	De 8 a 20 minutos	Sazonar con aderezo italiano, manteca o margarina.
Batatas blancas	Entera de 6 a 8 onzas	Media alta	de 40 a 60 minutos de 45 a 60 minutos	Envuelva cada patata con una lámina resistente. Cocínela en la parrilla, dándola vuelta en forma ocasional.
Espárragos congelados Arvejas habichuelas Col		Media	De 15 a 30 minutos	Salpique con manteca o margarina. Envuelva con una lámina resistente. Cocínelos en la parrilla dándolos vuelta en forma ocasional.

Tabla de cocción en la parrilla

ALIMENTO	PESO O ESPESOR	NIVEL DE TEMPERATURA	TIEMPO APROXIMADO	INSTRUCCIONES ESPECIALES Y SUGERENCIAS
Patatas fritas		Media	De 15 a 30 minutos	Coloque en una bandeja de papel de aluminio. Cocine en la parrilla, revolviendo en forma ocasional
CARNE DE VACA Hamburguesas	½ a ¾ pulgadas	Media	De 10 a 18 minutos	Cocine en la parrilla, dando vuelta una vez cuando los jugos asciendan a la superficie. No descuide las hamburguesas durante la cocción debido a que rápidamente podría producirse una llamarada. Cocine a una temperatura interna de 160 grados
Lomo		Alta	De 8 a 15 minutos	
Poco cocido	1 pulgada	Alta	De 8 a 14 minutos	
Media	1-1/2 pulgada 1 pulgada 1-1/2 pulgada	Alta Media a alta	de 11 a 18 minutos de 12 a 22 minutos de 16 a 27 minutos	
Bien cocido	1 pulgada 1-1/2 pulgadas	Media media	de 18 a 30 minutos de 16 a 35 minutos	Recorte los bordes. Cocínelos en la parrilla dándolos vuelta una vez
CORDERO Costillas y bifés Poco cocido	1 pulgada 1-1/2 pulgadas	Media a alta	de 10 a 15 minutos de 14 a 18 minutos	Recorte los bordes. Cocínelos en la parrilla dándolos vuelta una vez.
Media	1 pulgada 1-1/2 pulgadas	Media a alta	de 13 a 20 minutos de 18 a 25 minutos	
CERDO Costillas	1 pulgada	Media	De 20 a 30 minutos	Recorte los bordes. Cocínelos en la parrilla dándolos vuelta una vez. Cocine hasta el nivel de cocción deseado.
Bien cocido	1 -1/2 pulgadas	Media	De 30 a 40 minutos	
Costillas		Media	De 30 a 40 minutos	Cocine en la parrilla, dando vuelta en forma ocasional. Durante los últimos minutos, pinte con una salsa de barbacoa. Delo vuelta varias veces.
Rodajas de jamón (precocido)	Rodajas de 1 pulgada	Alta	De 4 a 8 minutos	Recorte los bordes. Cocínelos en la parrilla dándolos vuelta una vez.
Salchichas		Baja	De 5 a 10 minutos	Saque la piel. Cocínelos en la parrilla dándolos vuelta una vez.
CARNE DE AVE	2 a 3 libras	Baja o media	Hasta 1 hora	Coloque el lado de la piel hacia arriba. Cocine en la parrilla, dándolo vuelta y pintando frecuentemente con manteca derretida, margarina, aceite o adobo.
Pechugas bien cocidas		Media	De 30 a 45 minutos	Marine a gusto.
PESCADOS Y MARISCOS Halibut Salmón Pez espada	¾ a 1 pulgada	Media a alta	De 8 a 15 minutos	Cocínelos en la parrilla dándolos vuelta una vez. Coloque una mezcla de mantequilla, de margarina o de aceite para mantener la humedad.
Entero Bagre Trucha arco iris	De 4 a 8 onzas	Media a alta	De 12 a 20 minutos	Cocínelos en la parrilla dándolos vuelta una vez. Coloque una mezcla de mantequilla, de margarina o de aceite. Pinte con una mezcla de mantequilla derretida y jugo de limón.

SALMÓN ASADO

2 filetes grandes de salmón
 2 cucharadas Aceite
 Sal y pimienta
 2 onzas de panceta cortada fina
 2 cucharadas Mantequilla
 1 cucharadas Jugo de limón
 Perejil picado
 Trozos de limón

Pre caliente la parrilla.

Rocié los filetes con aceite y condiméntelos con sal y pimienta. Colóquelos sobre la parrilla y cocínelos durante 10 minutos. Délos vuelta a la mitad del tiempo de cocción.

Mientras tanto, fría la panceta en una sartén en uno de los mecheros. Escúrrala en servilletas de papel. Derrita la manteca en una olla pequeña sin que esta pierda el color. Coloque el pescado y la panceta en platos para servir. Esparza la manteca sobre estos y rocíelos con jugo de limón. Decórela con perejil picado y trozos de limón. Sírvalo con papas hervidas mezcladas con manteca y esparza perejil picado y una ensalada de lechuga fresca.

Nota: Reemplace el bagre, el lenguado o el bacalao por salmón.

CHOCLO FRESCO ASADO

6 choclos de media espiga pelados
 3 cucharadas Mantequilla o margarina derretida
 Una pizca de comino molido
 Una pizca de cilantro molido

Media hora antes de cocinar, ponga la manteca sobre la parrilla. Coloque cada uno de los choclos sobre papel de aluminio resistente. Mezcle los ingredientes restantes en un recipiente. Mezcle bien. Coloque una cucharada y media de la mezcla con manteca sobre cada espiga. Cierre el papel de aluminio y doble los extremos para sellarlo. Colóquelos sobre la parrilla. Cocínelos entre 10 y 12 minutos. girando los envoltorios ocasionalmente, o hasta que se hayan cocinado.

BROCHETTES DE MARISCOS ÁCIDOS

1 camarón grande de 1 lb, desconchado y desvenado
 ¾ lbs. de vieiras de mar
 2/3 taza de salsa picante
 ¼ taza de vinagre de manzana

manteca y esparza perejil picado y una ensalada de lechuga fresca. Coloque los camarones y las vieiras en un recipiente mediano. Mezcle la salsa picante y los seis ingredientes restantes en un recipiente pequeño. Espárzalo sobre los mariscos. Mezcle para cubrirlos.

Una vez cubiertos, guárdelos en la heladera por dos horas.
 3 cucharadas grandes de perejil picado
 1 cucharada grande de aceite vegetal
 1 cucharadas Salsa inglesa
 1/2 cucharada grande de rábano picante preparado

1 diente de ajo picado
 1 lata de 20 oz de ananá en almíbar, escúrralos media hora antes de cocinarlos, ponga al máximo el mechero de la parrilla. Escurra el adobo de los mariscos. En cada una de las 12 brochetas de 10", coloque 2 camarones y dos vieiras, alternándolos con trozos de ananá. Coloque las brochetas sobre la parrilla. Cocínelas entre 7 y 10 minutos y rocíelas y délas vuelta a menudo.

COSTILLAS DE CERDO

4 costillas de cerdo
 Adobo
 1 cebolla grande
 2 cucharadas grandes de jugo de limón o vinagre
 2 cucharadas grandes de aceite
 ½ cucharada de mostaza en polvo
 2 cucharadas grandes de Salsa inglesa
 ½ cucharada de pimienta negra molida
 1 cucharadas de azúcar
 ½ cucharada de paprika
 1 diente de ajo

Pele y ralle la cebolla y agregue el resto de los ingredientes excepto los costillas de cerdo. Mezcle bien. Agregue las costillas y déjelas reposar una hora en un lugar frío. Encienda la parrilla al máximo. Caliéntela durante 10 minutos.

Ase las costillas y rocíelas con adobo de vez en cuando. Sírvalas con una ensalada mixta, condimentada con vinagreta y eneldo fresco.

FALDA ASADA

De 4 a 6 porciones
 ¾ taza de aderezo italiano
 1 cucharadas grandes de Salsa inglesa
 1 cucharada de mostaza seca
 ¼ cucharada de tomillo picado
 Media cebolla cortada
 1 falda de 1 lb. con cortes
 2 cucharadas de manteca derretida

Mezcle los primeros cuatro ingredientes, agregue la cebolla y la falda marinada. Guárdelo en la heladera por lo menos durante cuatro horas o toda la noche. Tome la falda y colóquela sobre la parrilla precalentada. Ásela entre 5 y 7 minutos de cada lado mientras la rocía con el adobo. Mientras tanto, saltee las cebollas del adobo en manteca en una sartén en uno de los mecheros durante tres minutos. Para servirla, corte la falda en fetas diagonales y échele la cebolla encima. Decórela con brochetas de vegetales.

Papas y queso asados

1 ½ tazas de queso cheddar rallado
 1 lata (10-3/4 oz) de crema condensada de champiñones
 1/3 taza de leche
 2 cucharadas de salsa barbacoa
 ¼ cucharadas de orégano
 ¼ cucharadas de sal
 1/8 cucharada de pimienta
 4 tazas de papas cortadas finas (4 papas medianas)

Pre caliente la parrilla Mezcle el queso, la crema condensada, la leche, la salsa barbacoa, el orégano, la sal y la pimienta en un recipiente grande. Revuelva las papas hasta que estén bien cubiertas. Colóquelas en una fuente para hornear rectangular de 1- 1/2 lts. bien enmantecada. Cubra la fuente con papel de aluminio. Cocínelas durante 25 minutos a temperatura media con la tapa de la parrilla cerrada. Quite el papel de aluminio y continúe cocinándolas durante 15 minutos o hasta que las papas estén blandas. Déjelas reposar cinco minutos antes de servir.

BROCHETAS DE VEGETALES

3 zucchini medianos
 12 tomates cherry
 12 champiñones frescos
 Queso parmesano rayado
 Hierva todos los zucchini durante 5 minutos en uno de los mecheros o hasta que estén blandos. Escúrralos y córtelos en rodajas de ½ pulgada. Coloque los zucchini, los tomates y los champiñones de manera alternada en las seis brochetas. Rocíelas con un adobo hecho con aderezo italiano, salsa inglesa, mostaza y tomillo. Cocínelas entre 5 y 7 minutos girándolas y rociándolas de vez en cuando. Agregue queso parmesano a gusto.

FAJITAS

1-1/2 lb. de falda o pechugas de pollo deshuesadas
2 cucharadas grandes de aceite
½ taza de jugo de lima
½ cucharada de sal
½ cucharada de sal de apio
¼ cucharada de ajo en polvo
½ cucharada de pimienta
¼ cucharadas de orégano
¼ cucharadas de comino
Enharine las tortillas
Golpee la falda hasta que quede de 1/4 pulgada de ancho o aplaste las pechugas de pollo. Mezcle el aceite, el jugo de lima y los aderezos en una bolsa hermética. Agregue la carne y agite la bolsa para que la carne se cubra de los aderezos. Guárdelo en la heladera durante una noche o por lo menos entre 6 y 8 horas. Envuelva las tortillas en papel de aluminio. Quite la carne del adobo. Cocínela de cada lado en una parrilla a gas precalentada entre 5 y 8 minutos. Mientras se cocina la carne, caliente las tortillas en la parrilla. Corte la carne en forma transversal en fetas angostas. Colóquela en una fuente caliente. Exprima jugo de limón sobre esta. Envuelva la carne y cualquiera de los siguientes ingredientes en las tortillas: Tomates cortados, guacamole, crema agria, salsa para tacos.

BROCHETAS DE TERNERA Y CORDERO

4 porciones
½ lb de carne o ternera deshuesada cortada en cubos de 1"
1/2 lb de lomo de cordero deshuesado cortado en cubos de 1"
2/3 taza de agua, en partes
¼ c. cebolla cortada
2 cucharadas de salsa de soja
¼ taza de aceite vegetal, en partes
1 cucharada de azúcar negra
1 cucharada grande de jugo de limón fresco
2 dientes de ajo picados
¼ cucharadas de comino molido
¼ cucharadas de cilantro molido
¼ cucharadas de azafrán molido
1/8 cucharada de pimiento colorado molido
1/8 cucharada de jengibre molido
1/8 cucharada de jengibre molido
1 banana grande cortada en trozos
8 champiñones pequeños
1/3 taza de mantequilla de maní suave
En la licuadora, procese 1/3 taza de agua, cebollas, salsa de soja, 2 cucharadas de aceite y los otros ocho ingredientes hasta que no queden grumos. Agregue cubos de carne y marínelos alrededor de 4 horas, revolviéndolos de vez en cuando. Escúrrala y guarde el adobo. En cuatro brochetas de 12", coloque de manera alternada carne, pimiento, banana y champiñones. Precaliente la parrilla Rocíe las brochetas con aceite. Cocínelas entre 7 y 8 minutos de cada lado.

Coloque el adobo en una sartén sobre uno de los mecheros y hágalo hervir. Agregue la mezcla restante de 1/3 taza de agua y mantequilla de maní. Revuelva para que se mezclen los ingredientes. Calíentelos. Si la salsa se pone muy espesa, agregue una cucharada de agua. Sirva las brochetas con la salsa.

CAVIAR DE BERENJENA

1 berenjena grande
2 cucharadas grandes de aceite de oliva
2 cucharadas de vinagre de alcohol
2 cucharadas de cebolla picada fina
½ dientes de ajo picados
1 tomate mediano cortado, sal y pimienta
Ase la berenjena sobre la parrilla a gas a fuego medio, de la vuelta de vez en cuando hasta que esté cocida. Esto puede llevar unos 30 minutos. Quitela de la parrilla y espere que se enfríe para prepararla. Quétele la cáscara y corte la berenjena muy fina. Agregue todos los condimentos. Deje que se enfríe y sírvala con tostadas.

POLLO TANDORI

8 muslos o patas de pollo grandes
1 taza de yogurt bajo en grasa
½ taza de jugo de limón
2 cucharadas de sal
½ cucharada de pimienta de cayena
½ cucharada de pimienta negra
½ cucharada de ajo molido
½ cucharada de jengibre rayado
½ cucharada de aceite de maíz
Mezcle todos los ingredientes en un recipiente grande y deje marinar el pollo durante 8 horas en la heladera. Escorra el pollo y colóquelo en el spiedo con la varilla en la parte más carnosa del hueso. Áselo utilizando el mechero para spiedo. Cocínelo a fuego medio durante 40 minutos y rocíelo con la mezcla restante de adobo. Sírvalo con cebollas cortadas y trozos de limón.

COSTILLAS

Adobo:
1 taza de salsa de soja
½ taza de miel
½ taza de vinagre
½ taza de jerez seco
2 cucharadas de ajo picado
2 cucharadas de azúcar
1 taza de agua
1 cubo de caldo pollo
1 lata de cerveza para la salsa para rociar

Marine las costillas durante tres horas. Agréguele cerveza al adobo con el que va a rociar la carne. Coloque una sartén debajo de las costillas y rocíelas con frecuencia. Para cocinar costillas, elija aquellas que no tengan grasa y sean carnosas y plíselas con su asador. Coloque cuatro ganchos para carne a lo largo del asador y ajústelos. Al comienzo del costillar y hacia el centro, inserte la segunda costilla con el extremo puntiagudo del asador y empújelo a través de la carne. Saltee un par y continúe el proceso hasta que todo el costillar quede plisado. Ajuste el segundo gancho para carne en el costillar. Suba la temperatura del mechero para spiedo. Cocínelo durante 50 minutos o hasta que esté cocido.

ASADO DE CERDO

Salsa para rociar de vinagre de manzana
1 taza de vinagre de manzana
6 oz de agua
60 gramos de manteca
Sal, pimienta, perejil y ajo para condimentar
2 oz. de jugo de limón
10 lbs de asado de cerdo
Tiempo: 1 ½ a 2 horas
Deje que el cerdo tome temperatura ambiente antes de colocarlo en la varilla del asador. Coloque la varilla y asegúrese de que quede balanceada. Encienda el mechero para asar. Ponga la perilla de control en la posición de máximo. Utilice la salsa para rociar antes mencionada durante la cocción.

PAVO

12 lb de pavo
Salsa de cerveza para rociar:
1 lata de cerveza
340,19 g de agua
125 gramos de manteca
1 cucharadas de sal
1 cucharada de pimienta
½ cucharada de ajo
1 cucharada de perejil
Descongele el ave por completo. Lávela íntegramente. Ate las patas y las alas. Encienda el mechero para asar. Póngalo en máximo. Mezcle todos los ingredientes de la salsa para rociar en una cacerola poco profunda. Colóquela debajo del pavo entre 15 y 20 minutos. Cocínelo por 3 horas, aproximadamente. Puede obtener una salsa deliciosa si mezcla la salsa para rociar con los jugos que caen del pavo.

Nexgrill garantiza al consumidor/comprador original sólo que este producto (*Modelo N° 720/730-0882A*) no debe tener defectos de fábrica ni de materiales luego de su correcto armado y bajo un uso doméstico normal y razonable durante el período indicado a continuación y a partir de la fecha de compra. El fabricante se reserva el derecho a solicitar pruebas fotográficas del daño, o la devolución de las partes defectuosas, para llevar a cabo una revisión y examen. El consumidor deberá enfrentar los gastos de envío y/o flete. La obligación del Nexgrill se limita a la reparación, reemplazo o valor depreciado, a opción de Nexgrill.

Mecheros: 8 años de garantía LIMITADA contra perforación
Rejillas, superficie de la parrilla y encendido electrónico: 1 años de garantía LIMITADA
* No cubre caídas, raspados, ralladuras o daño en la superficie
Partes de acero inoxidable: 1 años de garantía LIMITADA contra perforación
* No cubre cuestiones estéticas tales como corrosión, rayones u óxido en la superficie
Todas las demás partes: 1 años de garantía LIMITADA
* No cubre raspados, rayones, corrosión en la superficie agrietada, rayas u óxido

Luego de que el cliente presente pruebas de la compra, tal como se lo establece en la presente, el Fabricante reparará o reemplazará las partes que presenten defectos durante el período de garantía aplicable. No debe cobrarse al cliente por las partes solicitadas para realizar la reparación o el cambio excepto los gastos de envío en tanto el comprador se encuentre dentro del período de garantía a partir de la fecha original de compra. El consumidor/comprador original se hará cargo de todos los gastos de envío de las partes reemplazadas según los términos de la presente garantía limitada. La presente garantía limitada sólo es aplicable dentro de los Estados Unidos de América, sólo está disponible para el dueño original del producto y *no es transferible*. El fabricante solicitará prueba razonable de su fecha de compra. Por lo tanto, debe conservar su recibo de compra y/o factura. En caso de que le hayan regalado esta unidad, solicítelo a quien se la regaló que envíe la factura por usted a la dirección que aparece a continuación. Las partes defectuosas o faltantes a esta garantía limitada no serán reemplazadas sin la debida inscripción o prueba de compra. Esta garantía limitada sólo es aplicable al funcionamiento del producto y no cubre cuestiones estéticas tales como rayones, bollos, corrosión o decoloración por calor, limpiadores abrasivos y químicos o cualquier otra herramienta utilizada para armar o instalar la unidad, óxido en la superficie, o decoloración en las superficies de acero inoxidable. El óxido en la superficie, la corrosión, o el raspado de la pintura sobre las partes de metal no afectan la integridad de la estructura de este producto y por lo tanto, no se consideran como defectos de fábrica o de materiales y no están cubiertos por esta garantía. Esta garantía limitada no le reembolsará los costos de ningún inconveniente, alimento, lesión personal o daño a la propiedad. En caso de no estar disponible un repuesto original, se le enviará uno similar. Usted será responsable de todos los gastos de envío de las partes reemplazadas según los términos de la presente garantía limitada.

ARTÍCULOS POR LOS CUALES NO PAGARÁ EL FABRICANTE:

Llamadas de servicio a su hogar
Reparaciones cuando utilice el producto con otra finalidad que no sea el uso normal en casas de familia o residencias.
Daños que resulten de accidentes, alteraciones, mal uso, falta de mantenimiento / limpieza, abuso, incendio, inundaciones, casos fortuitos, instalación incorrecta, e instalación que no cumple con los códigos de electricidad o plomería o el uso de productos no autorizados por el fabricante.
Cualquier pérdida de alimentos ocasionada por fallas en los productos.
Repuestos o costos de reparación de unidades que se utilizan fuera de los Estados Unidos de América o de Canadá.
Recogido y entrega del producto.
Facturas de envío o facturas de revelado de fotos por las fotos que se enviaron como prueba.
Reparaciones de partes o sistemas que surgieran como consecuencia de la realización de modificaciones no autorizadas al producto.
Extracción y/o reinstalación del producto.
Costo de envío, estándar o urgente, de la garantía/no-garantía y repuestos.

RENUNCIA A LAS GARANTÍAS IMPLÍCITAS; LIMITACIÓN DE ACCIONES Y RECURSOS LEGALES

La reparación o el cambio de partes defectuosas es la única acción legal que puede ejercer según los términos de la presente garantía limitada. El Fabricante no se responsabilizará de ningún daño consecuente o incidental que surja del incumplimiento ya sea de esta garantía limitada o de cualquier garantía aplicable implícita, o de ninguna falla o daño que surjan como consecuencia de hechos fortuitos, cuidado y mantenimiento indebidos, incendio provocado por grasa, accidente, alteración, cambio de partes que realice otra persona que no sea el Fabricante, mal uso, transporte, uso comercial, abuso, ambientes hostiles (clima inclemente, actos de la naturaleza, manipulación de animales), instalación indebida o instalación que no cumpla con los códigos locales o con las instrucciones impresas del fabricante.

ESTA GARANTÍA LIMITADA ES LA ÚNICA GARANTÍA EXPRESA QUE OTORGA EL FABRICANTE. EL FABRICANTE NO GARANTIZA NINGUNA ESPECIFICACIÓN DE USO O DESCRIPCIÓN DONDE SEA QUE APAREZCAN, EXCEPTO HASTA EL PUNTO INDICADO EN LA PRESENTE GARANTÍA LIMITADA. CUALQUIER PROTECCIÓN IMPLÍCITA DE LA GARANTÍA QUE SURJA DE LAS LEYES DE CUALQUIER ESTADO, INCLUYENDO LA GARANTÍA IMPLÍCITA DE COMERCIALIZACIÓN O ADECUACIÓN PARA UN DETERMINADO USO O PROPÓSITO, TENDRÁ LA MISMA DURACIÓN LIMITADA QUE LA PRESENTE GARANTÍA LIMITADA.

Ningún proveedor ni el establecimiento de venta que comercialice este producto tiene derecho a ofrecer garantías adicionales o a prometer otras acciones legales posibles además de o contrarias a las establecidas con anterioridad. La responsabilidad máxima del fabricante, en cualquier caso, no debe superar el precio de compra documentado del producto que abonó el consumidor original. Esta garantía solo es aplicable a la unidades adquiridas en un minorista o en un mercado de reventa. NOTA: Algunos estados no permiten la exclusión o limitación de daños incidentales o consecuentes. Por lo tanto, algunas de las limitaciones y exclusiones antes mencionadas pueden no ser aplicables a su caso en particular. La presente garantía limitada le otorga derechos legales específicos tal como aquí se estipula. También puede gozar de otros derechos que varían en los diversos estados.

En caso de que quiera que se cumpla con cualquiera de las obligaciones estipuladas en la presente garantía limitada, escriba a:

Atención al cliente de Nexgrill
14050 Laurelwood PI
Chino, CA 91710

Puede solicitar devoluciones, ordenar repuestos, realizar preguntas generales y obtener ayuda sobre localización y resolución de problemas

comunicándose al U.S.A.: 1-800-913-8999

Conversión a gas natural para el Modelo N° 720/730-0882A

⚠ ¡ ADVERTENCIA! AL NO SEGUIR ESTAS ADVERTENCIAS PODRÍA RESULTAR EN UN INCENDIO O UNA EXPLOSIÓN QUE PODRÍA CAUSAR GRAVES LESIONES CORPORALES, MUERTE O PROPIEDAD DAÑOS.

Conversión a Gas natural debe realizarse por un cualificado GAS técnico solamente. El técnico de GAS calificado debe asegurar el cumplimiento de los códigos locales, incluyendo pero no limitado a, los requisitos e instalación de regulador de la parrilla. **NO INTENTE CONVERTIR A SÍ MISMO.** Conversión incorrecta puede resultar en una fuga de gas que puede causar un incendio o una explosión y causar graves lesiones corporales, muerte o propiedad daños. Debido a la conversión incorrecta podría fugas inmediatamente o lentamente con el tiempo. Si oyes ruidos extraños ni fugas, huele a gas u olores inusuales, o nota cualquier cosa inusual con el uso de su aparato de gas después de la instalación, inmediatamente apague el suministro de gas y deje de usar hasta que el aparato sea reparado por un técnico de GAS calificado.

Tabla de orificios

Las válvulas del quemador diferente en esta parrilla tienen diferentes clasificaciones BTU. Esto significa que la cantidad de gas proveniente de cada orificio varía para crear el BTU. Se perforan los agujeros en los orificios se a diferentes tamaños para permitir una cantidad adecuada de gas a fluir a través de ellos. Tenga en cuenta la siguiente tabla como una referencia fácil para el orificio de diferentes tamaños para las diferentes válvulas de apertura en la parrilla.

720-0882A, 730-0882A tamaño de orificio

Componentes	Propano líquido		Gas natural	
	Tamaño del orificio	BTU	Tamaño del orificio	BTU
Quemador principal	0.88mm	9,000	1.46mm	9,000
Quemador lateral	1.02mm	12,000	1.70mm	12,000

A continuación se muestran las piezas necesarias para la conversión de gas natural:

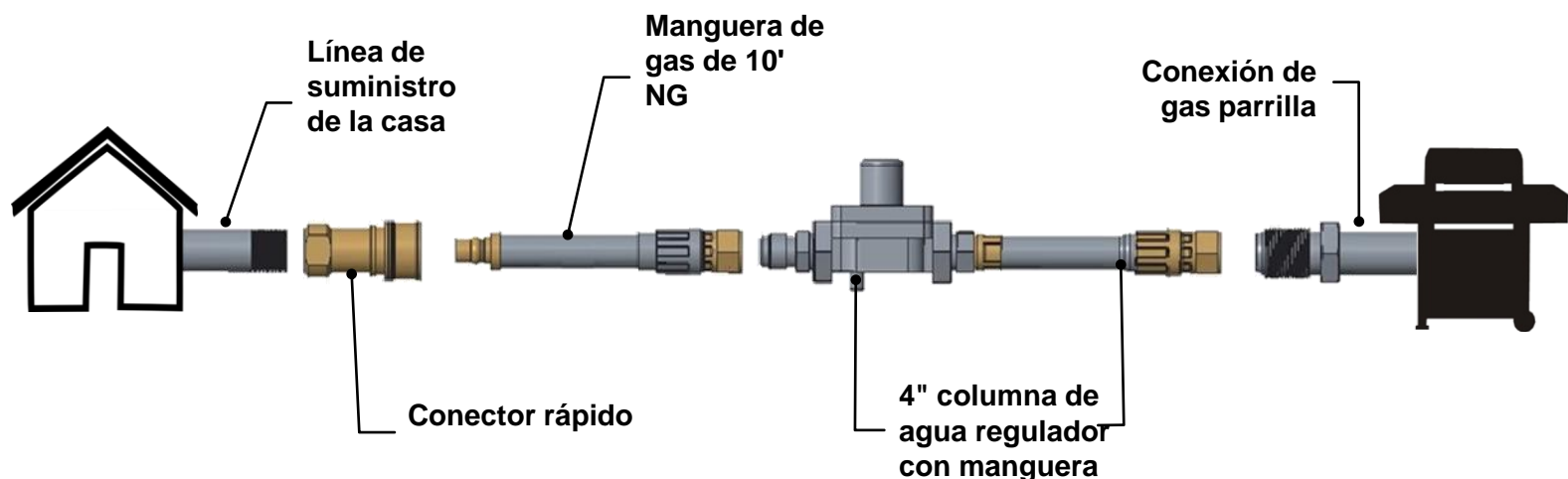
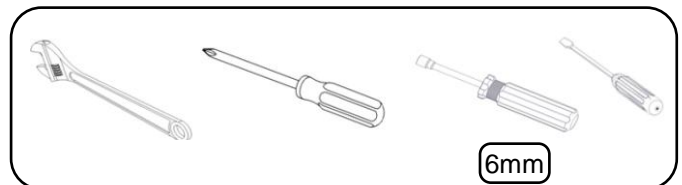
INCLUIDO

Orificios de gas natural

NO INCLUIDO

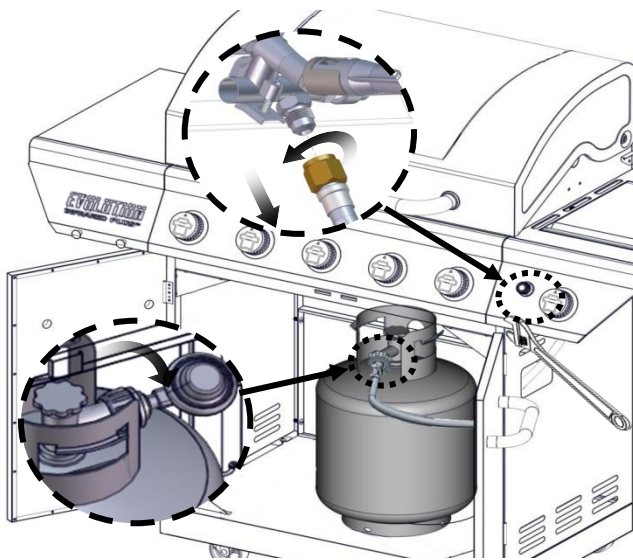
- Conector rápido
- Manguera de Gas Natural de 10 pies (3.0 m)
- 4" columna de agua regulador con manguera
- Herramientas
 - Tuercas de 6 mm
 - Llave de 6 mm
 - Llave hexagonal

Herramientas que se necesitarán para la conversión :

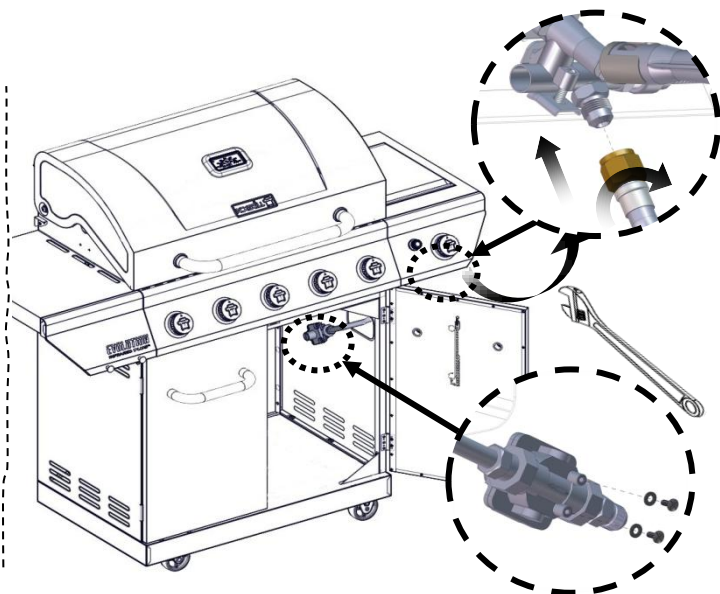


Instalación del regulador

1. Cierre la válvula del suministro principal de gas.
2. Desconecte el tanque de gas LP de 20 lb (si está presente).
3. Cierre las válvulas de control de todos los quemadores.
4. Quite el tanque de gas LP de 20 lb (si está presente) del carro del asador.
5. Use una llave de tuercas ajustable para quitar el regulador de gas LP del distribuidor.

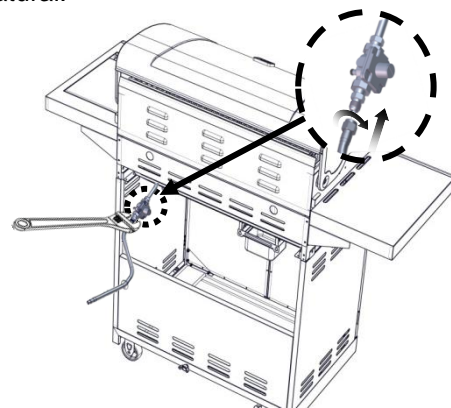


6. Use una llave de tuercas ajustable para instalar la manguera reguladora de gas natural al distribuidor y asegurarla. Sujete el regulador de gas natural al panel lateral, que está dentro del carro del asador, con los dos tornillos que están previamente ensamblados en el regulador.

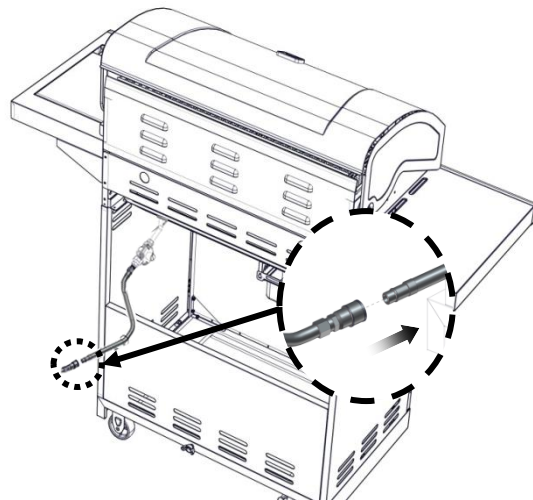


Conexión del suministro de gas

1. Se debe usar una combinación de tubos de unión para conectar el asador a la línea de suministro de gas existente.
 - Deberá usarse una manguera flexible de suministro de gas en PVC de 10 pies (3,0 m) con diseño certificado por CSA.
 - Deberán usarse compuestos para unión de tuberías adecuados para ser usados con gas natural. No use cinta Teflon®†.
 - Deberá haber una válvula de cierre manual certificada en la línea de suministro de gas cerca del asador, para un acceso fácil.
2. Conecte el conector de bronce sobre un extremo de la manguera flexible de suministro de gas en PVC de 10 pies (3,0 m) al regulador de presión de gas natural.



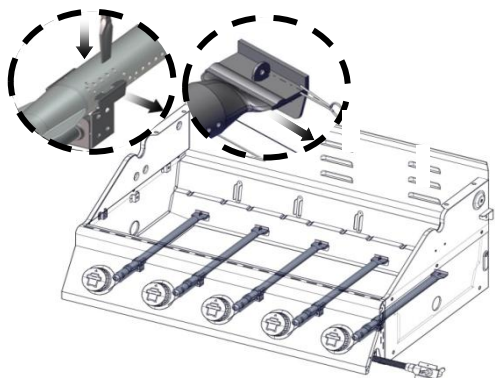
3. Conecte el conector rápido sobre el otro extremo de la manguera flexible de suministro de gas en PVC de 10 pies (3,0 m) al tubo rígido de suministro de gas natural.
4. Éntrenos en hacer prueba de fugas después de la conversión . Consulte la página 29 .



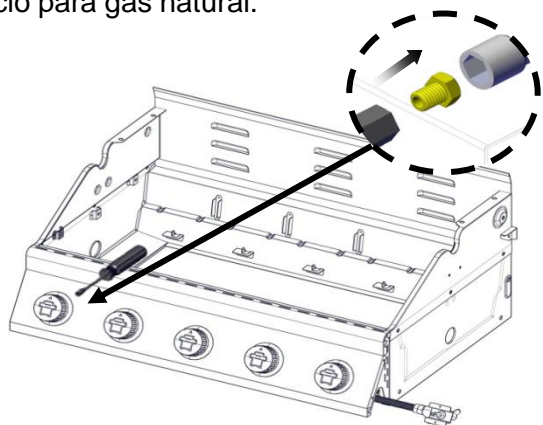
- a. El asador y su válvula de cierre individual deberán ser desconectados del sistema de tubería del suministro de gas durante toda prueba efectuada en dicho sistema a presiones de prueba mayores de ½ pulg² (3,5 kPa).
- b. El asador deberá aislarse del sistema de tubería del suministro de gas cerrando la válvula de cierre individual manual durante toda prueba de presiones de prueba iguales o menores de ½ lb pulg² (3,5 kPa).

Cambie los orificios de la válvula del quemador del asador

1. Quite las parrillas y los difusores de llama.
2. Retire los 2 tornillos y el pasador de seguridad que sostiene al quemador en el lugar. Deje a un lado el tornillo y el pasador. Quite el quemador de la parrilla al levantarlo.

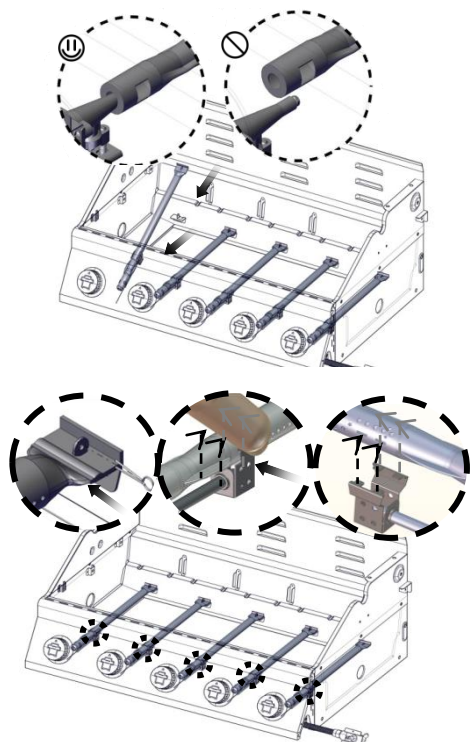


3. Use un casquillo y una llave de cubo de 6 mm o un aprieta tuercas de 6 mm para quitar el orificio de bronce del extremo de la válvula de gas. Reemplácelo con el orificio para gas natural.



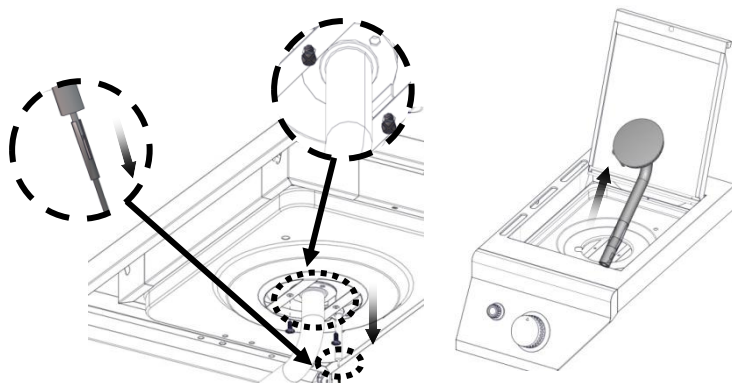
IMPORTANTE: Verifique que el orificio esté debidamente instalado dentro de la abertura del quemador.

4. Vuelva a insertar el quemador y reajústelo usando los 2 tornillos que quitó previamente. Repita el procedimiento para cada quemador principal.
5. Coloque los encendedores de modo que estén a una distancia de 1/8" (3.2 mm) de cada quemador.



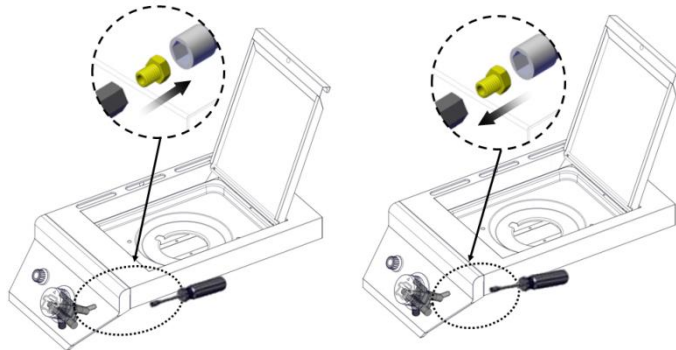
Cambie el orificio del quemador lateral

1. Retire los dos tornillos que premontados en tubo del quemador lateral, a continuación, levante el tubo del quemador lateral hacia fuera de la cámara de combustión del quemador lateral, como se muestra a continuación.



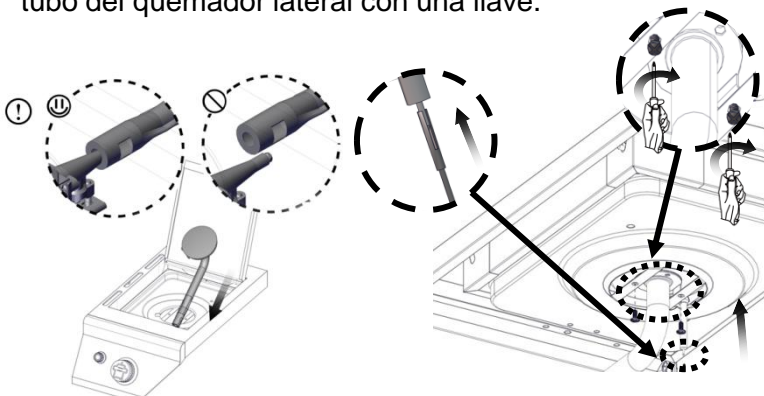
A. Extremo flexible del quemador lateral

2. Use una llave de cubo de 6 mm o un aprieta tuercas de 6mm para quitar el orificio. Reemplácelo con el orificio para gas natural.



IMPORTANTE: Verifique que el orificio esté debidamente instalado dentro de la válvula.

3. Vuelva a instalar el quemador lateral, ajuste el conector de bronce del orificio del quemador lateral el tubo del quemador lateral con una llave.

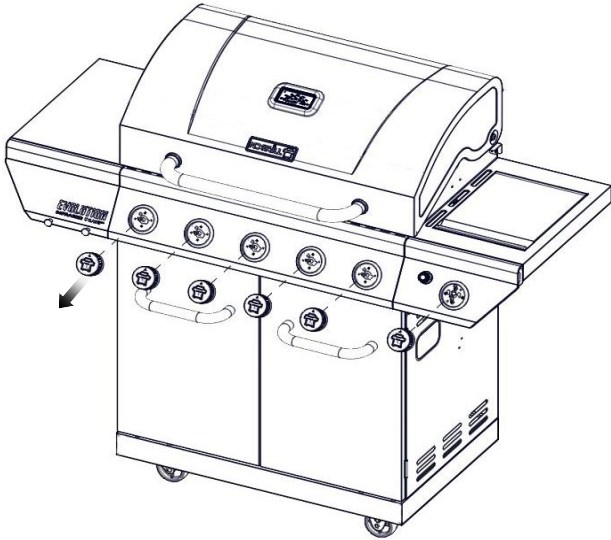


4. Abra la válvula de cierre manual de la línea de suministro de gas. La válvula está abierta cuando la manija está paralela al tubo de gas.
5. Pruebe todas las conexiones con una solución no corrosiva aprobada para detección de fugas. Las burbujas evidenciarán si hay fugas. Corrija cualquier fuga que encuentre.

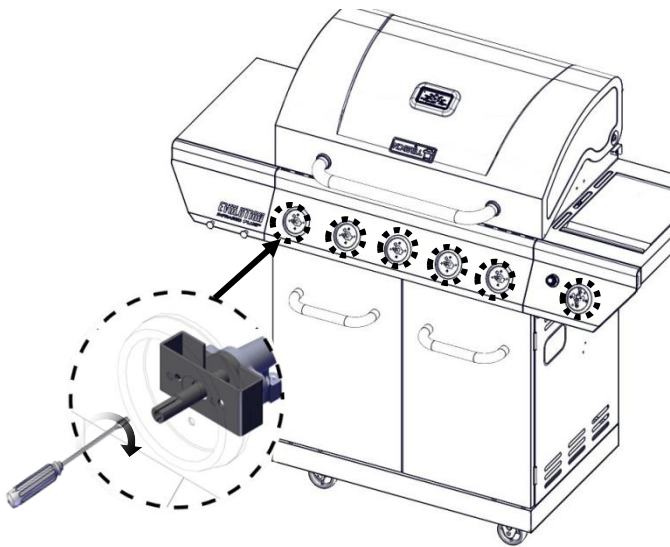
Cómo regular el tornillo de ajuste de llama alta

Cuando haga la conversión de gas LP a gas natural, necesitará regular el tornillo de ajuste de llama alta para obtener la altura ideal de la llama del quemador.

1. Jale hacia fuera cada perilla de control para el quemador principal y el quemador secador.



2. Use un destornillador de hoja plana para girar el tornillo opresor de llama alta hacia la derecha aproximadamente 90°.

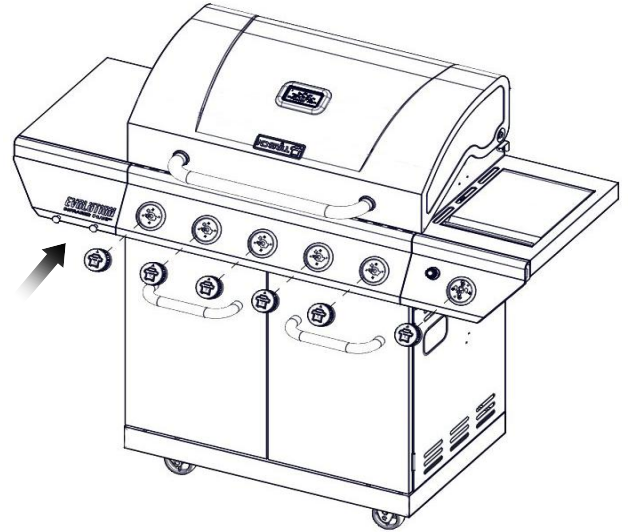


3. Verifique que el quemador funcione en el nuevo ajuste de llama alta. Tal vez sea necesario regular el ajuste del tornillo un poco más para obtener la altura ideal de la llama del quemador.

4. Vuelva a colocar la perilla de control y apague el quemador.

5. Repita los pasos 3 al 6 para cada quemador, si es necesario.

6. Vuelva a colocar los difusores de llama y las parrillas después de que se hayan enfriado los quemadores.



Mesures de sécurité	45	Commande de pièces	56
Raccordement au gaz	49	Aide-mémoire pour la cuisson	56
Liste de contrôle finale de l'installateur	50	Suggestion de recettes pour grillades	58
Test de fuite	50	Garantie limitée	60
Consignes pour l'allumage du gril	51	Conversion de gaz naturel	61
EVOLUTION Infrared PLUS™ Cuisson	52	Vue éclatée	65
Nettoyage et entretien	53	Liste des pièces	68
Dépannage	54		

⚠️ RÉSIDENTS DE CALIFORNIE SEULEMENT - AVERTISSEMENT: Ce produit et les combustibles qui sont utilisés pour son fonctionnement sous (propane liquide) et les produits de combustion comme le fioul peuvent vous exposer à des produits chimiques, tels que le benzène, qui est connu par l'État de Californie de causer le cancer et de produire des danger possible à la reproduction. *Pour plus d'informations, visitez www.P65Warnings.ca.gov.*

Dans l'État du Massachusetts, les instructions d'installation suivantes sont applicables :

- Les travaux d'installation et réparation doivent être exécutés par un plombier ou tuyauteur qualifié ou licencié, ou par le personnel qualifié d'une entreprise licenciée par l'État du Massachusetts.
- Si une vanne à boisseau sphérique est utilisée, elle doit comporter une manette "T".
- Si un conduit de raccordement flexible est utilisé, sa longueur ne doit pas dépasser 3 pi.





DANGER

Si vous sentez une odeur de gaz :

1. Coupez l'alimentation du gaz à l'appareil.
2. Éteignez toute flamme nue.
3. Soulevez le couvercle.
4. Si l'odeur persiste, tenez-vous à l'écart de l'appareil et contactez immédiatement votre fournisseur de gaz ou le service des pompiers.



AVERTISSEMENT

1. Ne pas entreposer ou utiliser de l'essence ou tout autre liquide ou vapeur inflammable près de cet appareil ou de tout autre appareil.
2. Une bouteille de gaz propane liquide qui n'est pas branchée pour utilisation ne doit pas être entreposée près de cet appareil ou de tout autre appareil.



DANGER

1. Ne jamais utiliser cet appareil sans surveillance.
2. Ne jamais utiliser cet appareil dans les 3 m d'une structure, de matériel combustible ou autre bouteille de gaz.
3. Ne jamais utiliser cet appareil dans les 7,5 m de liquides inflammables.
4. Ne jamais remplir le compartiment de cuisson au-delà de la ligne maximum de remplissage.
5. Les liquides chauffés restent à des températures de cuisson longtemps après la cuisson. Ne jamais toucher l'appareil de cuisson tant que les liquides ne se sont pas refroidis à une température de 45 ° C ou moins.
6. Cet appareil n'est pas destiné à servir d'élément chauffant et ne doit pas être utilisé en tant que tel.
7. Si un incendie se déclenche, tenez-vous à l'écart de l'appareil et contactez immédiatement le service des pompiers. Ne pas essayer d'éteindre un incendie d'huile ou de graisse avec de l'eau.



La non-conformité aux présentes consignes peut déclencher un incendie ou une explosion qui sont susceptibles d'entraîner des lésions corporelles graves voire la mort ou des dommages matériels.



La combustion de produits émis lors de l'emploi de cet appareil contient des produits chimiques que l'État de la Californie reconnaît comme susceptibles de provoquer le cancer, des déficiences congénitales ou d'autres dangers pour la reproduction



Votre gril deviendra très chaud. Ne vous penchez jamais au-dessus de l'aire de cuisson pendant l'utilisation de votre gril. Ne touchez pas aux surfaces de cuisson, au boîtier du gril, au couvercle ou à toute autre pièce pendant l'utilisation du gril et tant qu'il n'a pas refroidi après l'usage.

**AVERTISSEMENT**

Ne pas allumer cet appareil sans avoir lu la section INSTRUCTIONS D'ALLUMAGE dans ce manuel.

TESTÉ CONFORMÉMENT À LA NORME ANSI Z21.58-2015 • CSA 1.6-2015 POUR APPAREILS DE GAZ DE CUISSON UTILISÉS À L'EXTÉRIEUR. CE GRIL DOIT ÊTRE UTILISÉ À L'EXTÉRIEUR UNIQUEMENT.

Codes d'installation du gril

Vérifiez les codes du bâtiment locaux concernant la méthode d'installation appropriée. En l'absence de ces derniers, l'unité doit être installée conformément au code national de gaz de combustion ANSI Z223.1/NFPA 54, code d'entreposage et de manutention de gaz propane liquéfié ANSI /NFPA B149.2 ou au code d'installation de gaz naturel et de gaz propane CSA B149.1 et au code national d'électricité, ANSI/NFPA 70.

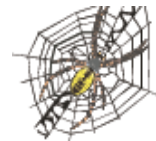
Utilisation appropriée de la bouteille de gaz PL

Les modèles de gril au propane liquide sont destinés à être utilisés avec un réservoir de propane liquide standard 9 kg (20 lb), non compris avec le gril. **Ne branchez jamais** votre gril à gaz à un réservoir de propane liquide dépassant cette capacité.

REMARQUE : l'écoulement normal des gaz à travers l'ensemble tuyau et régulateur peut donner engendrer un bourdonnement. À faible volume, ce bruit est tout à fait normal et n'affecte pas le fonctionnement du gril. Par contre, si le bourdonnement est bruyant et excessif, il peut s'avérer nécessaire de purger l'air du conduit de gaz ou remettre en place le régulateur d'écoulement de gaz. Cette purge devrait être effectuée à chaque fois qu'un nouveau réservoir de LP est branché à votre gril.

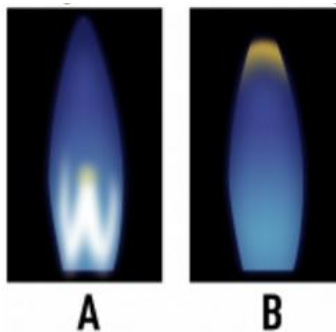
MISE EN GARDE : Attention au retour de flamme

MISE EN GARDE : les araignées et les petits insectes tissent parfois ou font des nids dans les tuyaux de brûleurs pendant le transport et l'entreposage. Bloquant l'écoulement du gaz, ces toiles peuvent être la cause d'un incendie à l'intérieur et autour des tuyaux de brûleurs. Ce type d'incendie, connu sous le nom de « RETOUR DE FLAMME », peut provoquer de graves dégâts dans votre gril et affecter les conditions de fonctionnement qui deviennent dangereuses pour l'utilisateur.



Bien qu'un tuyau de brûleur bloqué ne soit pas la seule cause de ces « RETOURS DE FLAMME », il s'agit néanmoins de la cause la plus commune.

Pour réduire le risque de « RETOURS DE FLAMME », vous devez nettoyer les tuyaux de brûleurs avant de monter votre gril et au moins une fois par mois à la fin de l'été et au début de l'automne lorsque les araignées sont particulièrement actives. Nettoyez également les tuyaux de brûleurs si votre gril n'a pas servi pendant une longue période. Un tube bouché peut favoriser un feu en dessous du gril.



A: Flamme de gaz naturel
B: Flamme de propane liquide (le cas échéant)

Vérifiez la flamme des brûleurs avant chaque utilisation. Les flammes doivent ressembler à celles de l'illustration. Si ce n'est pas le cas, voir la section sur la maintenance des brûleurs dans ce manuel.

Système d'alimentation de gaz PL



- Si ces consignes ne sont pas suivies à la lettre, un incendie peut se produire et entraîner des lésions corporelles graves voire la mort.
- La capacité maximale d'un réservoir de propane liquide est de 9 kg avec un diamètre d'environ 31 cm sur une hauteur de 46,35 cm.
- La bouteille de gaz d'alimentation PL à utiliser doit être fabriquée et marquée conformément aux spécifications pour bouteilles de gaz PL stipulées par le Département des transports des États-Unis (DOT) ou la Norme nationale du Canada, CAN/CSA –B339, bouteilles, bouteilles sphériques, et tubes utilisés pour le transport de marchandises dangereuses.
- La bouteille de gaz PL doit disposer d'un robinet d'arrêt menant à une sortie du robinet de PL compatible avec le Type 1. La bouteille de gaz LP doit être munie d'un robinet d'arrêt aboutissant à la sortie du robinet spécifié pour le raccordement de type QCC1 conformément à la norme pour le raccordement de la sortie et l'entrée du robinet de bouteille de gaz comprimé ANSI/CGA-V-1, selon le cas. La bouteille de gaz PL doit être munie d'un dispositif anti-débordement (ODP). La bouteille de PL doit également être munie d'un opercule de sécurité ayant un lien direct avec l'espace de vapeur de la bouteille. Ce dispositif de sécurité empêche un remplissage excessif de la bouteille qui pourrait entraîner le dysfonctionnement de la bouteille de gaz LP, du régulateur ou du grill.
- Le système d'alimentation de la bouteille doit être arrangé de manière à permettre le retrait de vapeur.
- Le réservoir de LP utilisé doit être muni d'un collier pour protéger la valve du réservoir.
- Placez le bouchon anti-poussière sur la sortie du robinet de la bouteille en tout temps lorsque vous n'utilisez pas la bouteille. N'installez que le type de bouchon anti-poussière qui est fourni avec le robinet de la bouteille. Les autres types de bouchon peuvent entraîner des fuites de propane.
- **Ne jamais** brancher un réservoir de GPL non réglementé à votre grill à gaz.
- Cet appareil de cuisson à gaz pour extérieur est équipé d'un ensemble tuyau/régulateur grande capacité destiné au raccordement d'une bouteille de propane liquide de 9 kg. Bouteille de gaz propane.
- Faites remplir votre bouteille de PL par un fournisseur de gaz de propane fiable et exigez une inspection visuelle et une requalification lors de chaque remplissage.
- Ne rangez pas de bouteille de gaz PL de rechange sous ou près de cet appareil.
- Ne jamais remplir la bouteille à plus de 80 pour cent de sa capacité.
- Maintenez toujours les réservoirs de GPL en position verticale.
- N'entreposez pas et n'utilisez pas d'essence ou tout autre vapeur et liquide inflammables près de cet appareil ou de tout autre appareil.
- L'entreposage intérieur d'un appareil de cuisson à gaz pour extérieur est autorisé uniquement si la bouteille est déconnectée et enlevée de l'appareil de cuisson à gaz pour extérieur.
- Lorsque vous n'utilisez pas le grill à gaz, vous devez éteindre le gaz à partir de la bouteille de PL.

EMPLACEMENT ET ESPACE APPROPRIÉS AUTOUR DU GRIL

- Ne jamais utiliser votre grill à gaz dans un garage, sur un patio, dans une remise, dans un passage recouvert ou dans tout autre endroit fermé. Le grill à gaz ne peut être utilisé qu'à l'extérieur.
Ne pas installer cette unité dans des enclos combustibles. L'espace minimum de tous les côtés et de l'arrière de l'unité jusqu'à la construction combustible doit être de 91 cm des côtés et 91 cm de l'arrière.
- **NE PAS** utiliser cet appareil sous des surfaces combustibles recouvertes. Cet appareil de cuisson à gaz pour extérieur n'est pas censé être installé dans ou sur des véhicules récréatifs ou des bateaux.

- Lorsque vous n'utilisez pas l'appareil de cuisson à gaz pour extérieur, le gaz doit être éteint au niveau de la bouteille.
- La bouteille de gaz PL doit être entreposé à l'extérieur dans des zones bien ventilées et hors de la portée des enfants. Les réservoirs de LP non branchés ne doivent pas être entreposés dans un bâtiment, un garage ou tout autre emplacement fermé.
- Ne pas bloquer le courant de ventilation autour du boîtier du grill à gaz. Utilisez seulement l'ensemble tuyau et régulateur fourni avec votre grill à gaz. Tous les ensembles tuyaux et régulateurs de remplacement doivent correspondre à ceux spécifiés dans le présent manuel.
- L'ensemble tuyau et régulateur doit être inspecté avant chaque utilisation du grill. En cas d'abrasion ou d'usure excessives ou si le tuyau est coupé, vous devez remplacer le tuyau avant de réutiliser le grill. Le tuyau de rechange doit être celui qui a été spécifié par le fabricant.
- Utilisez uniquement l'ensemble tuyau et régulateur de pression fourni avec l'appareil à gaz de cuisson pour extérieur. Ne jamais substituer par d'autres types de régulateur. Contactez le service à la clientèle pour obtenir des pièces de remplacement spécifiées par le fabricant.
- Cet appareil à gaz de cuisson pour extérieur est muni d'un régulateur de pression conforme à la norme pour vannes de régulation de pression pour gaz PL ANSI/UL 144.
- Ne pas utiliser de briquettes agglomérées dans le grill.
- Le grill est destiné à fournir une performance optimale sans briquettes agglomérées. Ne pas placer de briquettes agglomérées sur radiant sous risque de bloquer la zone de ventilation des brûleurs de grill. L'ajout des briquettes peut endommager les composants d'allumage et les boutons et annuler la garantie.
- Nettoyez toujours les débris de l'arrière et du chariot latéral. Maintenez les cordons électriques ou celui du moteur de la rôtisserie à l'écart des zones chauffées du grill.
- Ne jamais utiliser le grill dans des conditions particulièrement venteuses. Si le grill doit être installé dans une zone venteuse (près de l'océan, en montagne, etc.), un pare-vent est requis. Toujours adhérer aux spécifications de l'espace requis.
- Ne jamais utiliser de bouteille de propane bosselée ou rouillée.
- Maintenir le cordon électrique et du tuyau d'alimentation de combustibles à l'écart de toute surface chauffante.
- Lors de l'allumage, maintenez votre visage et vos mains aussi loin que possible du grill.
- Le réglage du brûleur ne doit être effectué qu'une fois que le brûleur a refroidi.



AVERTISSEMENT

Votre grill deviendra très chaud. Ne vous penchez jamais au-dessus de l'aire de cuisson pendant l'utilisation de votre grill. Ne touchez pas aux surfaces de cuisson, au boîtier du grill, au couvercle ou à toute autre pièce pendant l'utilisation du grill et tant qu'il n'a pas refroidi après l'usage.

Le non-respect de ces consignes peut entraîner des lésions corporelles graves.

MISE EN GARDE : POUR GARANTIR UNE PROTECTION CONTINUE CONTRE LE RISQUE DE CHOCS ÉLECTRIQUES, CONNECTEZ UNIQUEMENT À DES PRISES MISES À LA TERRE. POUR RÉDUIRE LE RISQUE DE CHOCS ÉLECTRIQUES, ASSUREZ-VOUS QUE LA RALLONGE EST SECHE ET NE TRAINE PAS AU SOL.



AVERTISSEMENT

Ayez toujours à disposition un flacon pulvérisateur rempli d'eau savonneuse près du robinet de gaz et vérifiez les raccordements avant d'utiliser le gril.

NE PAS UTILISER DE FEUILLE D'ALUMINIUM POUR RECOUVRIR LES GRILLES DU GRIL OU LE FOND DU GRIL.

Cette feuille peut bloquer le flux d'air de la combustion ou engouffrer de la chaleur dans la zone de commande.

PRATIQUES DE SÉCURITÉ PERMETTANT D'ÉVITER LES BLESSURES CORPORELLES

Lorsque vous entretenez correctement votre gril, il vous offrira un service fiable et sécurisé pendant plusieurs années. Vous devez toutefois prendre toutes les précautions nécessaires lorsque vous utilisez le gril puisqu'il produit une chaleur intense qui augmente le potentiel des accidents. Lors de l'utilisation de cet appareil, des pratiques de sécurité élémentaires doivent être observées, y compris :

Ne pas réparer et ne pas remplacer de pièces du gril à moins que l'opération soit spécifiquement indiquée dans ce manuel. Tous les autres services doivent être confiés à un technicien qualifié.

Ne pas installer le gril dans ou sur des véhicules récréatifs ou des bateaux.

Les enfants ne doivent pas être laissés seuls ou sans supervision à un endroit où le gril est utilisé. Ne jamais permettre aux enfants de s'asseoir, se tenir debout ni jouer sur ou autour du gril.

Ne pas ranger d'objets autour ou sous le gril qui pourraient éveiller la curiosité des enfants.

Ne pas mettre en contact ou approcher de trop près vêtements, maniques ou tout autre matériau inflammable avec les grilles, les brûleurs ou toute surface chaude tant que ces derniers n'ont pas refroidis. Le tissu pourrait prendre feu et entraîner des blessures corporelles.

Pour assurer votre sécurité personnelle, portez des vêtements appropriés à la tâche. Les vêtements ou les manches larges ne doivent jamais être portés lorsqu'on utilise cet appareil. Certains tissus synthétiques sont très inflammables et ne doivent jamais être portés pour cuisiner.

Seuls certains types de verre, de céramique en verre calorifuge, en terre cuite ou autres ustensiles émaillés peuvent être utilisés avec le gril. Ces matériaux peuvent se briser sous les changements soudains de la température. Utilisez uniquement un feu faible ou moyen conformément aux directives du fabricant.

Ne pas chauffer de conteneurs d'aliments fermés. La pression qui s'accumule peut faire exploser les conteneurs.

Toute graisse est inflammable. Assurez-vous de laisser la graisse chaude refroidir avant de la toucher. Évitez de laisser la graisse s'accumuler au fond du grill et sur le réceptacle à graisse situé au-dessous de la surface de cuisson. Merci de nettoyer fréquemment la graisse du fond du grill et du réceptacle à graisse.

Protéger la main lors de l'ouverture du couvercle du gril. Ne jamais se pencher sur un gril ouvert.

Lorsque vous allumez un brûleur, concentrez-vous sur ce que vous faites. Gardez toujours à l'esprit le brûleur que vous êtes en train d'allumer et tenez votre corps et vos vêtements à l'écart des flammes nues.

Lorsque vous utilisez le gril, ne touchez pas la grille du gril, celle du brûleur ou les zones environnantes qui chauffent très rapidement et peuvent vous brûler. Utilisez toujours des maniques sèches. Les maniques humides sur des surfaces chaudes engendrent de la vapeur et peuvent entraîner des brûlures. Ne pas utiliser de serviettes ni de chiffon à la place de maniques. Ne pas mettre les poignées en contact avec les parties chaudes de la grille du rack.

La graisse est inflammable. Laisser la graisse chaude refroidir avant de nettoyer. Ne pas laisser de dépôts de graisse s'accumuler dans le plateau à graisse au fond de la chambre à cuisson du gril. Nettoyer souvent le plateau à graisse.

Ne pas utiliser de feuille d'aluminium pour recouvrir les grilles ou le fond du gril. Cette feuille peut bloquer le flux d'air de la combustion ou engouffrer de la chaleur dans la zone de commande.

Pour garantir un bon allumage et une performance optimale des brûleurs, toujours maintenir les ouvertures des brûleurs propres. Il est nécessaire de les nettoyer régulièrement pour optimiser leur performance. Les brûleurs ne fonctionnent que dans une position et doivent en conséquence être installés correctement pour garantir un fonctionnement sécurisé.

Nettoyer le gril avec précaution. Pour éviter toute brûlure de vapeur, ne pas utiliser d'éponge ou de chiffon mouillés pour nettoyer le gril quand il est encore chaud. Certains produits de nettoyage dégagent des fumées toxiques ou peuvent s'enflammer s'ils sont appliqués sur une surface chaude.

Éteindre les commandes du gril et s'assurer que le gril est froid avant d'utiliser des nettoyeurs en aérosol sur ou autour du gril. Les produits chimiques qui produisent une pulvérisation peuvent en présence de chaleur, prendre feu ou provoquer la corrosion des pièces métalliques.

Ne pas utiliser le gril pour cuisiner des viandes excessivement grasses ou d'autres produits pouvant favoriser des flambées. Ne pas utiliser le gril sous des constructions combustibles non protégés. Utiliser le gril uniquement dans des endroits bien ventilés. Ne pas utiliser le gril dans des bâtiments, des garages, des remises de jardin, des passages recouverts ou toute autre zone fermée.

Ne jamais placer de matériaux combustibles, tels que des fluides, des déchets ou des vapeurs, telles que de l'essence ou un allume-feu autour du grill. Ne pas bloquer le courant de combustion et de ventilation.



AVERTISSEMENT

Cet appareil de cuisson à gaz pour extérieur n'est pas censé être installé dans ou sur des bateaux, ni sur d'autres véhicules récréatifs.

NE JAMAIS CONNECTER À L'APPAREIL DE LIGNE D'ALIMENTATION DE GAZ SANS RÉGULATEUR. UTILISER L'ENSEMBLE TUYAU/RÉGULATEUR FOURNI.

Ce gril est configuré pour fonctionner au propane liquide. Ne pas utiliser de gaz naturel à moins que le gril n'ait été reconfiguré pour le gaz naturel.

Consommation totale du gaz (à l'heure) de ce gril en acier inoxydable avec tous les brûleurs réglés sur HIGH :

Brûleur principal	45,000 Btu/hr
Brûleur latéral	12,000 Btu/hr
Total	57,000 Btu/hr

CONDITIONS RELATIVES AUX BOUTEILLES DE PL

Une bouteille de propane liquide qui serait cabossée ou rouillée doit être inspectée par votre fournisseur de gaz PL. Ne jamais utiliser de bouteille dont le robinet est endommagé. La bouteille de propane liquide doit être fabriquée et marquée conformément aux spécifications pour bouteilles de gaz PL régies par le Département des transports des États-Unis (DOT) ou régies par la Norme nationale du Canada CAN/CANB339, bouteilles, bouteilles sphériques et tubes utilisés pour le transport de marchandises dangereuses, tel qu'applicable. Un dispositif anti-débordement (ODP) doit être installé sur la bouteille avec une connexion QCCI sur le robinet de la bouteille conformément à ANSI/CGA-V-1. Le système d'alimentation de la bouteille doit être arrangé de manière à permettre le retrait de vapeur. La bouteille doit inclure un collier pour la protection du robinet de la bouteille. La bouteille doit disposer d'un robinet d'arrêt menant à une sortie de robinet de la bouteille d'alimentation de gaz PL spécifié, selon le cas, pour un raccord de type QCC1 selon la norme pour le raccordement à la sortie et l'entrée du robinet de bouteille de gaz comprimé ANSI/CGA-V-1.

Pression du collecteur : 27,94 cm colonne d'eau (W.C.).

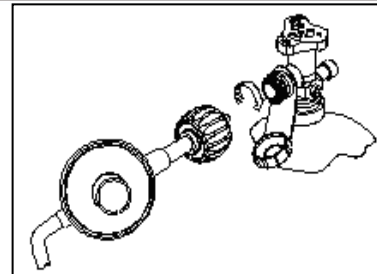
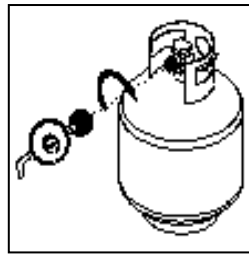
RACCORDEMENT DU GAZ PL

Assurez-vous que les œillets en plastique noirs sur le robinet de la bouteille PL sont en place et que le tuyau n'entre pas en contact avec le plateau à graisse ou la tête de grille.

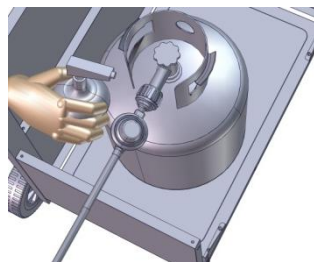
RACCORDEMENT

Votre gril en acier inoxydable est équipé d'orifices d'alimentation de gaz pour utilisation uniquement avec du propane liquide. Cet appareil est également équipé d'un ensemble tuyau/régulateur grande capacité destiné au raccordement d'une bouteille de propane liquide de 9 kg (hauteur 46,35 cm, diamètre de 31 cm). Pour connecter la bouteille de propane liquide, procédez comme suit :

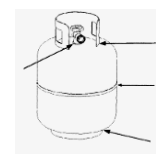
1. Assurez-vous que le robinet de la bouteille est fermé (tourné dans le sens horaire pour l'arrêt).
2. Vérifiez le robinet de la bouteille pour assurer qu'elle dispose de filets externes appropriés (raccordement de type 1 conformément à ANSIZ21.81)



3. Assurez-vous que toutes les valves des brûleurs sont en position fermée (OFF).
4. Inspectez les connexions de valve, l'orifice ainsi que le régulateur. Effectuez une inspection afin de détecter tout dégât ou débris, et enlevez-les, si présents. Inspectez le tuyau pour voir s'il est endommagé. Ne jamais utiliser de matériel endommagé ou bouché. Consultez le revendeur local de propane liquide pour toute réparation.
5. Lorsque vous joignez le régulateur à la valve, serrez l'écrou à raccord rapide à la main dans le sens horaire jusqu'à l'arrêt complet. Ne pas utiliser de clé pour serrer. Elle risque d'endommager l'écrou à raccord rapide, ce qui pourrait entraîner une situation dangereuse.
6. Ouvrez complètement le robinet de la bouteille (en tournant dans le sens antihoraire). Appliquez la solution savonneuse avec une brosse propre à tous les joints de gaz. Voir ci-dessous. Si des bulles se forment dans la solution, les joints ne sont pas scellés correctement. Vérifiez chaque raccord, et serrez ou réparez au besoin.



7. En cas de fuite dans le joint de gaz que vous ne pouvez réparer, éteignez le gaz du réservoir d'alimentation (position OFF), débranchez la conduite d'alimentation de votre gril et appelez le U.S.A:1- 800-913-8999 ou votre fournisseur de gaz pour de l'aide à la réparation.
8. Appliquez également la solution savonneuse aux rivures du réservoir. Voir ci-dessous. Si des bulles se forment, éteignez le réservoir, ne l'utilisez pas et ne le déplacez pas! Demandez de l'aide à un fournisseur en PL ou à votre service de pompiers.



Pour déconnecter la bouteille de PL:

1. Mettez les valves de brûleurs sur arrêt (OFF).
2. Tournez le robinet de la bouteille complètement (dans le sens horaire pour l'arrêt).
3. Détachez l'ensemble du régulateur du robinet de la bouteille en tournant l'écrou à raccord rapide dans le sens antihoraire.

- ✓ L'espace minimum de tous les côtés et de l'arrière de l'unité jusqu'à la construction combustible doit être de 91 cm des côtés et 91 cm de l'arrière
- ✓ Les boutons tournent librement
- ✓ Les brûleurs sont bien serrés et bien logés sur les orifices
- ✓ Le régulateur de pression est connecté et réglé Raccords de gaz au gril à l'aide de l'ensemble tuyau-régulateur fourni (prérégulé pour une colonne d'eau de 11,0 po (27,5cm)
- ✓ Unité testée et sans fuites
- ✓ Utilisateur informé sur l'emplacement de la valve d'arrêt de l'alimentation du gaz

NOTE À L'UTILISATEUR : VEUILLEZ CONSERVER CE MANUEL À TITRE DE RÉFÉRENCE ULTÉRIEURE

MISES EN GARDE SUR LA BOUTEILLE DE PROPANE

- a) Ne rangez pas de bouteille de gaz PL de rechange sous ou près de cet appareil
- b) Ne jamais remplir la bouteille à plus de 80 pour cent de sa capacité
- c) Si ces consignes des points a et b ne sont pas suivies à la lettre, un incendie ou une explosion peuvent se produire ce qui entraînerait des lésions corporelles graves voire la mort

Test de fuite

GÉNÉRALITÉS

Bien que les raccords de gaz sur le gril aient été testés pour les fuites à l'usine avant l'expédition, un contrôle doit être effectué sur site pour garantir que les raccords sont bien serrés pour parer à toute éventualité de mauvaise manipulation pendant l'expédition ou de pression excessive exercée involontairement sur l'unité. Vérifiez régulièrement qu'il n'y a pas de fuite dans le système en procédant comme suit. Si vous sentez une odeur de gaz, vous devez immédiatement inspecter le système en entier pour détecter les fuites potentielles.

AVANT DE PROCÉDER AU TEST

Assurez-vous que tous les matériaux d'emballage ont été enlevés gril, y compris les sangles de fixation.

NE PAS FUMER PENDANT LE TEST DE FUITE.

NE JAMAIS TESTER LES FUITES AVEC UNE FLAMME NUE.

Préparez une solution savonneuse moitié détergent

liquide et moitié eau. Vous avez besoin d'un flacon pulvérisateur ou d'une brosse ou d'un chiffon pour appliquer la solution sur le raccord. Lors du test de fuite initiale, assurez-vous que la bouteille de propane liquide est pleine à 80 %.

POUR TESTER

1. Assurez-vous que les valves de commande sont en position d'arrêt, OFF et ouvrez l'alimentation de gaz.
2. Assurez-vous que toutes les connexions du régulateur du gaz PL et de la valve d'alimentation jusqu'à et y compris le raccordement au tuyau du collecteur (le tuyau qui va aux brûleurs) sont bien serrées. Des bulles de savon se formeront s'il y a une fuite.
3. Si une fuite est présente, tournez immédiatement l'alimentation du gaz sur arrêt et resserrez les raccords ayant des fuites.
4. Remettez le gaz sur marche et effectuez un nouveau contrôle.
5. Si le gaz fuit toujours de l'un des raccords, tournez l'alimentation du gaz sur arrêt et contactez le service clientèle au U.S.A.: 1- 800-913-8999.



Utilisez uniquement les pièces recommandées par le fabricant sur le gril.

Toute substitution annulerait la garantie. Ne pas utiliser le gril sans avoir contrôlé tous les raccords et déterminé l'absence de fuites.

VÉRIFICATION DU FLUX DE GAZ

Les brûleurs du gril sont testés et réglés à l'usine avant leur expédition ; toutefois, des différences dans l'alimentation du gaz local peuvent exiger le réglage des brûleurs. Les flammes des brûleurs doivent être vérifiées visuellement.

Les flammes doivent être bleues et stables sans bouts jaunes ni bruit excessif ou soulèvement. En présence de l'une de ces conditions, vérifiez si l'obturateur d'air ou les orifices des brûleurs sont bloqués par des saletés, débris, toiles d'araignée, etc. Veuillez adresser vos questions sur la stabilité des flammes au service clientèle au U.S.A.: 1- 800-913-8999.

TOUJOURS VÉRIFIER LA PRÉSENCE DE FUITE APRES CHAQUE CHANGEMENT DE LA BOUTEILLE DE PL

Avant chaque utilisation, vérifier tous les raccords d'alimentation de gaz pour détecter les fuites. Il est recommandé de conserver un flacon pulvérisateur d'eau savonneuse près de la valve d'arrêt de la conduite d'alimentation de gaz. Pulvériser tous les raccords. La présence de bulles confirme les fuites.

UTILISATION D'ORDRE GÉNÉRAL DU GRIL ET DE LA RÔTISSERIE

La capacité de chaque brûleur principal est de 9, 000 Btu/hr. Les brûleurs principaux du grill occupent la surface de cuisson totale et sont dirigés sur les côtés pour réduire tout blocage provenant de la graisse et des débris qui tomberaient. Les boutons d'allumage sont situés sur la partie inférieure du centre du panneau des valves. Les allumeurs rotatifs sont étiquetés sur le panneau de commande.

UTILISATION DU GRIL

La cuisson sur grill requiert une température élevée pour bien saisir et un brunissement approprié. La plupart des aliments sont cuits à un réglage HIGH pendant le temps total de leur cuisson. Toutefois, lorsque vous grillez des gros morceaux de viande ou volaille, il peut s'avérer nécessaire de réduire la flamme après le brunissement initial. Les aliments cuisent parfaitement sans brûler l'extérieur. Les aliments cuisinés pendant un long moment ou ceux qui ont été trempés dans une marinade sucrée un peuvent nécessiter une flamme plus faible vers la fin de leur cuisson.

REMARQUE : le grill a été conçu pour griller efficacement sans pierre de lave ni briquettes agglomérées d'aucune sorte. La chaleur est diffusée par le dispositif de contrôle des flammes au-dessus de chaque brûleur.

REMARQUE : le grill chaud saisit les aliments dans leurs jus. Plus le grill est préchauffé, plus la viande brunit rapidement et plus les marques du grill sont foncées.

NE PAS LAISSER LE GRIL SANS SUPERVISION PENDANT LA CUISSON.

AVERTISSEMENT : IMPORTANT!

UTILISATION DU BRÛLEUR LATÉRAL

Inspectez le tuyau d'alimentation en gaz avant de mettre le gaz sur marche (ON). S'il semble y avoir des coupures, de l'usure ou de l'abrasion, le tuyau doit être remplacé avant tout utilisation. N'utilisez pas le brûleur latéral si une odeur de gaz est présente.

Consignes pour l'allumage du grill

Remarque : avant d'utiliser le grill, enlevez le matériau d'emballage, y compris les sangles

AVERTISSEMENT : IMPORTANT!

AVANT D'ALLUMER LE GRIL...

Inspectez le tuyau d'alimentation en gaz avant de mettre le gaz sur marche (ON). S'il semble y avoir des coupures, de l'usure ou de l'abrasion, le tuyau doit être remplacé avant tout utilisation. N'utilisez pas le grill si une odeur de gaz est présente. Utilisez uniquement l'ensemble tuyau et régulateur de pression fourni avec l'unité.

Ne jamais substituer l'ensemble tuyau/régulateur qui sont fournis avec le grill. En cas de remplacement nécessaire, contactez le fabricant pour obtenir le remplacement approprié. Le remplacement doit être celui qui a été spécifié par le manuel.

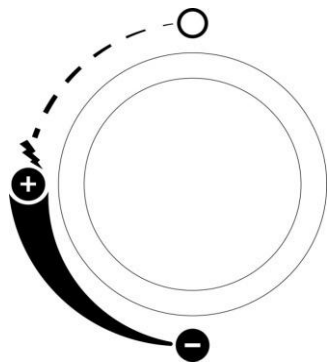
AVERTISSEMENT : maintenez toujours votre visage et votre corps aussi loin que possible du brûleur lors de l'allumage.




BRÛLEUR PRINCIPAL

BRÛLEUR LATÉRAL

POUR ALLUMER LE BRÛLEUR PRINCIPAL



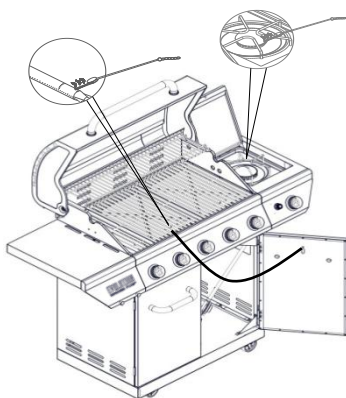
POUR ALLUMER LE BRÛLEUR PRINCIPAL/LATERAL/ARRIERE/A INFRAROUGE (le cas échéant)


1. Assurez-vous que le couvercle est ouvert.
2. Ouvrez la valve de la bouteille de gaz (position ON).
3. Poussez et tournez le bouton de contrôle du brûleur associé jusqu'au symbole tout en maintenant le bouton d'allumage appuyé, afin d'allumer le brûleur.
4. Une fois le brûleur allumé, relâchez le bouton d'allumage et le bouton de contrôle.
5. Si le brûleur ne s'allume pas, tournez le bouton de contrôle jusqu'à  and répétez la procédure d'allumage

ALLUMAGE AVEC UNE ALLUMETTE

brûleur principal

brûleur latéral



1. Si le brûleur ne s'allume pas après plusieurs tentatives, vous pouvez essayer de l'allumer avec une allumette. Toutefois avant de le faire, attendez 5 minutes que le gaz accumulé se soit dissipé.
2. Attachez une allumette à l'extrémité du bâtonnet d'allumage.
3. Allumez l'allumette.
4. Tenez le bâtonnet d'allumage et introduisez l'allumette allumée près des orifices du brûleur.
5. Appuyez sur le bouton de commande approprié que vous tournez en position 
6. Le brûleur devrait s'allumer immédiatement.

N'essayez pas d'allumer le barbecue si une odeur de gaz est présente. Merci d'appeler le 1-800-913-8999.

Ayez toujours à disposition un flacon pulvérisateur rempli d'eau savonneuse près du robinet de gaz et vérifiez les raccords avant d'utiliser le grill.

Chaque brûleur a son système d'allumage ajusté avant l'expédition; cependant des variations locales liées à l'alimentation en gaz peuvent nécessiter des ajustements mineurs.

EVOLUTION Infrared PLUS™ Cuisson

EVOLUTION

INFRARED PLUS™

Veillez vous reporter à la
"EVOLUTION Infrared PLUS™ "

Pour explorer et profiter de jusqu'à 64 uniques configurations disponibles pour vous.

Pour obtenir plus de détails et d'informations, conseils de cuisson, ainsi que soins et entretien à votre évolution plus infrarouge grill, veuillez nous visiter au www.nexgrill.com/evolution.

ACIER INOXYDABLE

Il existe plusieurs produits de nettoyage pour l'acier inoxydable. Utilisez toujours la procédure de nettoyage la plus douce, en frottant dans le sens du grain. N'utilisez pas de laine d'acier qui raye la surface. Pour retoucher les rayures visibles dans l'acier inoxydable, poncez légèrement avec du papier d'émerit abrasif 100 dans le sens du grain. Des taches de graisse peuvent s'accumuler sur les surfaces en acier inoxydable et cuire donnant l'apparence de la rouille. Pour les nettoyer, utilisez un tampon moyennement abrasif avec un produit de nettoyage pour acier inoxydable.

GRILLE DU GRIL

Le meilleur moyen de nettoyer le gril consiste à le nettoyer immédiatement après avoir cuisiné et éteint la flamme. Portez des gants spéciaux pour le barbecue afin de protéger vos mains de la chaleur et de la vapeur. Trempez une brosse de barbecue en cuivre dans l'eau et frottez le gril chaud. Trempez fréquemment la brosse dans le bol d'eau. La vapeur générée lorsque l'eau entre en contact avec le gril chaud facilite le nettoyage en amollissant les particules d'aliments. Si vous ne nettoyez pas le gril de suite et le laissez refroidir avant de procéder au nettoyage, l'opération sera plus difficile.

ASSUREZ-VOUS QUE L'ALIMENTATION DU GAZ ET LES BOUTONS SONT EN POSITION D'ARRÊT (OFF). VEILLEZ À CE QUE LES BRÛLEURS EN HAUT AIENT REFROIDI AVANT DE LES ENLEVER.

BRÛLEURS DU GRIL

Prenez toutes les précautions nécessaires lorsque vous déplacez un brûleur qui doit toujours être correctement centré sur l'orifice avant de rallumer le gril. La fréquence du nettoyage dépend des utilisations de votre gril.

NETTOYAGE DU BRÛLEUR PRINCIPAL DU GRIL

Assurez-vous que l'alimentation du gaz et les boutons soient en position d'arrêt (OFF). Assurez-vous que le gril ait refroidi. Nettoyez l'extérieur du brûleur avec une brosse métallique. Nettoyez le tartre le plus tenace avec un grattoir métallique. Débloquez les ports bouchés avec un clip que vous déliez. N'utilisez jamais de cure-dents en bois. Ils peuvent se briser et boucher l'orifice. Si des insectes ou tout autre type d'obstruction ont bloqué le flux du gaz du brûleur, vous devez appeler notre service clientèle au U.S.A.: 1- 800-913-8999.

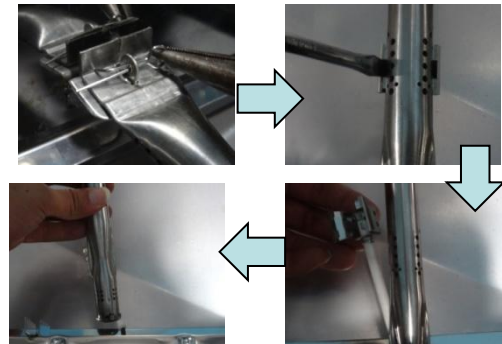
NETTOYAGE DU PLATEAU À GRAISSE

Le plateau à graisse doit être vidé et essuyé périodiquement, puis lavé dans une solution de savon doux et d'eau tiède. Une petite quantité de sable peut être placée dans le fond du plateau à graisse afin d'absorber la graisse. Vérifiez souvent le plateau à graisse et ne laissez pas d'excès de graisse s'accumuler et déborder du plateau à graisse.

Avertissement : pour le remplacement du brûleur principal, nous recommandons vivement que vous engagiez un technicien professionnel qui se chargera de l'opération. Sachez que nous ne pouvons pas assurer la responsabilité des blessures ou dommages matériels qui pourraient survenir suite à une installation incorrecte du brûleur.

COMMENT REMPLACER LE BRÛLEUR PRINCIPAL

Étape 1. Retirer la broche brûleur principal de "R" sur le mur arrière de la boîte à feu en utilisant une pince. Utiliser un tournevis plat pour retirer le couvercle de l'axe de brûleur, puis retirez le brûleur sur la paroi avant de la boîte à feu. Comme indique ci-dessous



Étape 2. Insérez le brûleur sur l'orifice et fixez le couvercle de la broche du brûleur sur le brûleur comme indique ci-dessous. Assurez-vous que le trou du brûleur visant à orifice.



Étape 3. Fixer le brûleur principal sur le mur arrière de la boîte de feu avec "R" broche.



MISE EN GARDE

1. Gardez la zone de l'appareil au gaz pour cuisson à l'extérieur libre de tout matériau combustible, essence et autres vapeurs et liquides inflammables.
2. Ne pas bloquer le courant de combustion et de ventilation.
3. Nettoyez toujours les débris des ouvertures de ventilation de la bouteille.

AVERTISSEMENT CONCERNANT LES ARAIGNÉES ET LES INSECTES

Inspectez et nettoyez les brûleurs/tubes de venturi afin de détecter la présence d'insectes et de nids d'insectes. Un tube bouché peut favoriser un feu en dessous du gril.

Bien qu'un tuyau de brûleur bloqué ne soit pas la seule cause de ces « RETOURS DE FLAMME », il s'agit néanmoins de la cause la plus commune.

Pour réduire le risque de « RETOURS DE FLAMME », vous devez nettoyer les tuyaux de brûleurs avant de monter votre gril et au moins une fois par mois à la fin de l'été et au début de l'automne lorsque les araignées sont particulièrement actives. Nettoyez également les tuyaux de brûleurs si votre gril n'a pas servi pendant une longue période.

À QUEL MOMENT FAUT-IL RECHERCHER LES ARAIGNÉES

Vous devriez inspecter les brûleurs au moins une fois par an ou immédiatement après l'une des situations suivantes :

1. L'odeur de gaz avec des flammes du brûleur jaunes.
2. Le gril n'atteint pas la température.
3. Le gril ne chauffe pas de manière uniforme.
4. Les brûleurs font des bruits d'éclat.

AVANT D'APPELER LE SERVICE À LA CLIENTÈLE

Si le gril ne fonctionne pas correctement, effectuez chaque vérification de la liste qui suit avant de contacter le service clientèle. Vous pouvez ainsi économiser les frais d'une intervention pour réparation.

PRÉCHAUFFAGE : Le couvercle du gril doit être fermé pendant la période de préchauffage. Il est nécessaire de préchauffer le gril avant de cuire certains aliments, selon leur type et la température de cuisson requise. Un préchauffage de cinq minutes est requis pour les aliments nécessitant une température de cuisson élevée ; un préchauffage de deux à trois minutes est requis pour les aliments nécessitant une température de cuisson plus basse.

TEMPÉRATURES DE CUISSON

Réglage élevé: utilisez ce réglage pour réchauffer rapidement, saisir les biftecks et les côtelettes et les grillades.

Réglage bas : utilisez ce réglage pour le rôtissage, cuisson et lorsque vous cuisinez des morceaux maigres, tels que le poisson.

Ces températures varient selon la température extérieure et la force du vent.

Cuisiner avec une chaleur indirecte: vous pouvez cuisiner la volaille et les gros morceaux de viande lentement à perfection d'un côté du gril au moyen de la chaleur indirecte du brûleur sur l'autre côté. La chaleur du brûleur allumé circule lentement dans tout le gril, cuisinant la viande ou la volaille sans qu'aucune flamme ne les touche directement. Cette méthode réduit considérablement les flambées lors de la cuisson de pièces particulièrement grasses puisqu'il n'y a pas de flamme directe pour enflammer les graisses ni les jus gouttant pendant la cuisson.

MISE EN GARDE: si les brûleurs s'éteignent pendant l'opération, coupez le gaz à la source et éteignez toutes les valves de gaz. Ouvrez le couvercle et attendez cinq minutes avant de rallumer (cette attente permet de dissiper la fumée du gaz qui s'est accumulé).

MISE EN GARDE: si un feu de graisse se déclenche, coupez l'alimentation du gaz à la source, éteignez tous les brûleurs et laissez le couvercle fermé jusqu'à ce que le feu se soit maîtrisé.

MISE EN GARDE: NE PAS débrancher le tuyau de gaz pendant que le gril est en marche. Comme pour n'importe quel autre appareil, un bon nettoyage et entretien permettent à ces appareils de fonctionner dans les meilleures conditions et d'avoir une vie utile plus longue. Votre gril au gaz ne fait pas exception à la règle.

MISE EN GARDE : le couvercle du brûleur latéral chauffera si le gril est utilisé avec le couvercle fermé.

PROBLÈME	SOLUTION
Lorsque j'essaie d'allumer mon gril, il ne s'allume pas immédiatement.	Assurez-vous qu'il y a une étincelle lorsque vous essayez d'allumer le brûleur (s'il n'y a pas d'étincelle). Vérifiez que la pile est correctement installée. Assurez-vous que le fil est branché à l'ensemble d'électrodes. Nettoyez les fils et/ou les électrodes en les frottant avec de l'alcool et un écouvillon propre. Essuyez avec un chiffon propre. Vérifiez si les autres brûleurs fonctionnent. Si c'est le cas, vérifiez s'il y a une obstruction dans l'orifice de gaz du brûleur en fonctionnant pas.
Le brûleur de la rôtisserie ne s'allume pas lorsque j'appuie sur le bouton d'allumage.	Vérifiez la présence de débris bloquant l'électrode. Vérifiez qu'il y a bien une étincelle de l'électrode au brûleur. Si vous ne constatez aucune étincelle, vérifiez la pile à l'intérieur de la chambre de cuisson. Pour ouvrir, tournez dans le sens anti-horaire Est-ce que le brûleur arrière infrarouge s'allume lorsque vous essayez de l'allumer avec une allumette ? Si ce n'est pas le cas, assurez-vous que le gaz est allumé.
Le régulateur fait du bruit.	Il est possible que le tuyau d'évent sur le régulateur soit bouché ou le régulateur soit défectueux. Vérifiez que le trou de l'évent sur le régulateur n'est pas bouché. Nettoyez le trou, fermez les valves de commande de gaz. Attendez une dizaine de minutes avant de rallumer. Vérifiez l'état des flammes afin de garantir une performance appropriée. Si les flammes ne sont pas correctes, remplacez le régulateur.
Le couvercle (dimension régulière) ne correspond pas au gril.	Le couvercle peut être incorrect pour votre gril. Il peut être trop serré. Assurez-vous que la longueur du couvercle correspond à celle de votre gril. Mesurez la longueur de gauche à droite. Comparez à la mesure du gril. Comparez l'emplacement et la taille de la partie du capot du couvercle par rapport à votre gril. Étalez le couvercle et laissez se détendre, de préférence à la lumière du jour ou dans une pièce chaude. Pour le gril ayant une étagère latérale, pliez le couvercle en forme de chaussette, placez-le de côté gauche vers la droite.
Le moteur de la rôtisserie ne tourne pas	Assurez-vous que le moteur est branché à une alimentation correctement mise à la terre. Assurez-vous que le bouton de marche/arrêt est en position de marche. Assurez-vous que la broche est bien placée dans le moteur de la rôtisserie. Assurez-vous que la charge ne dépasse pas la capacité opérationnelle de 18 kg. Assurez-vous qu'il n'y a pas d'obstruction.
Le gril ne chauffe qu'à 200 ou 300 degrés.	Vérifiez que le tuyau d'alimentation n'est ni plié ni cabossé. Assurez-vous que la zone de la grille n'est pas poussiéreuse. Assurez-vous que le brûleur et les orifices sont propres. Vérifiez la présence d'araignées et d'insectes. Le régulateur dispose d'un dispositif de sécurité limitant le flux du gaz en cas de fuite. Ce dispositif de sécurité peut se déclencher sans qu'il y ait de fuite. Pour réenclencher le dispositif de sécurité, éteignez les brûleurs et fermez le robinet de la bouteille PL. Déconnectez le régulateur de la bouteille PL et attendez une minute. Reconnectez le régulateur au réservoir de bouteille PL et ouvrez lentement le robinet de la bouteille PL jusqu'à ce que le robinet soit totalement ouvert. Allumez les brûleurs et observez la température.
Il faut beaucoup de temps au gril pour préchauffer.	Un préchauffage normal à 500-600 degrés prend entre 10 et 15 minutes. Le temps froid et le vent sont des facteurs ayant un impact sur la durée du préchauffage. Des roches volcaniques ou des briquettes agglomérées peuvent augmenter le temps de préchauffage ainsi que la température maximum.
Les flammes des brûleurs ne sont pas d'une couleur bleue claire.	Trop ou pas assez d'air pour la flamme. L'élévation est la cause principale, toutefois un temps froid peut affecter le mélange. Les brûleurs doivent être réglés. Le gril est placé dans un endroit venteux.

COMMENT PASSER UNE COMMANDE DE PIÈCES DE REMPLACEMENT

Pour garantir que les pièces de remplacement convenant à votre gril à gaz seront envoyées, veuillez consulter les numéros de pièces sur les pages 68. Les informations suivantes sont requises pour assurer que la pièce envoyée est correcte. Prière de remarquer que les frais de livraison des pièces de rechange sont à votre charge.

- Numéro du modèle du gril au gaz (voir l'étiquette apposée sur le gril).
- Numéro de la pièce de remplacement nécessaire.
- Description de la pièce de remplacement nécessaire.
- Quantité de pièces requises

Pour obtenir des pièces de rechange, contactez notre service clientèle au U.S.A.: 1- 800 -913-8999.

IMPORTANT

Utilisez uniquement les pièces autorisées par l'usine. L'emploi de pièces qui ne seraient pas autorisées par l'usine peut être dangereux. Toute substitution annulerait votre garantie.

Conservez ce manuel d'instructions pour l'assemblage et de fonctionnement qui vous servira de référence et facilitera votre commande de pièces de remplacement.

Conseils relatifs au gril

La cuisson souhaitée de la viande, qu'elle soit saignante, moyennement ou bien cuite dépend en majeure partie de l'épaisseur de la coupe. Les chefs, experts en la matière, disent qu'il est impossible d'obtenir une viande saignante avec une tranche fine.

Le temps de cuisson dépend du type de viande, de la taille et de la forme de la coupe, de la température de la viande lorsque la cuisson commence et le type de cuisson souhaité.

Lorsque vous dégelez de la viande, il est recommandé de le faire dans le réfrigérateur pendant la nuit et non dans un micro-onde. Cette méthode permet d'obtenir une viande plus juteuse.

Utilisez une spatule et non des pinces ou une fourchette pour tourner la viande. La spatule ne perce pas la viande et laisse le jus couler.

Pour obtenir des viandes plus juteuses, ajoutez des assaisonnements ou du sel après la cuisson de chaque côté et ne tournez la viande qu'une seule fois (les jus se perdent lorsque vous tournez la viande plusieurs fois). Tournez la viande après que les jus commencent à former des bulles à la surface.

Coupez l'excès de graisse de la viande avant de la cuire. Pour que les biftecks ou les côtelettes ne s'enroulent pas pendant la cuisson, entaillez la graisse autour du bord à 5 cm d'intervalles.

NE PAS LAISSER LE GRIL SANS SUPERVISION PENDANT LA CUISSON.

Aide-mémoire pour la cuisson

ALIMENT	POIDS OU ÉPAISSEUR	RÉGLAGE DE LA FLAMME	DURÉE APPROXIMATIVE	CONSIGNES SPÉCIALES ET CONSEILS
LÉGUMES				Couper en tranche. Enduire de beurre ou de margarine. Envelopper dans une feuille métallique à haute résistance. Griller en retournant à l'occasion.
Betteraves, Carottes, Navets frais		Moyenne	12 à 20 minutes	Griller en retournant à l'occasion. Balayer avec du beurre ou de la margarine fondus de temps à autre.
Oignon	Tranches de 1,3 cm	Moyenne	8 à 20 minutes	Assaisonner avec de la sauce italienne, du beurre ou de la margarine.
Pommes de terre sucrées blanches	Entières 170 à 226 g	Moyenne Élevée	40 à 60 minutes 45 à 60 minutes	Envelopper individuellement dans une feuille métallique à haute résistance. Griller en tournant de temps en temps.
Asperges Petit-pois Haricot vert Choux surgelés		Moyenne	15 à 30 minutes	Enduire de beurre ou de margarine. Envelopper dans une feuille métallique à haute résistance. Griller en retournant à l'occasion.

ALIMENT	POIDS OU ÉPAISSEUR	RÉGLAGE DE LA FLAMME	DURÉE APPROXIMATIVE	CONSIGNES SPÉCIALES ET CONSEILS
Frites		Moyenne	15 à 30 minutes	Placer dans un conteneur en feuille d'aluminium. Griller en retournant de temps en temps
BOEUF Hamburgers	1 à 2 cm	Moyenne	10 à 18 minutes	Griller en retournant une fois lorsque les jus remontent à la surface. Ne pas laisser les hamburgers sans surveillance, car une flambée peut se produire soudainement. Cuisiner à une température interne de 160 degrés
Filet de bœuf		Élevée	8 à 15 minutes	
Saignante	2,5 cm	Élevée	8 à 14 minutes	Découper les bords. Griller en ne retournant qu'une fois
Moyenne	3,8 cm 2,5 cm 3,8 cm	Élevée Moyenne à Élevée	11 à 18 minutes 12 à 22 minutes 16 à 27 minutes	
Bien cuit	2,5 cm 3,8 cm	Moyenne Moyenne	18 à 30 minutes 16 à 35 minutes	
Côtelette d'agneau et Steaks saignants	2,5 cm 3,8 cm	Moyenne à Élevée	10 à 15 minutes 14 à 18 minutes	Découper les bords. Griller en ne retournant qu'une fois
Moyenne	2,5 cm 3,8 cm	Moyenne à Élevée	13 à 20 minutes 18 à 25 minutes	
Côtelettes de porc	2,5 cm	Moyenne	20 à 30 minutes	Découper les bords. Griller en retournant une seule fois. Cuisiner jusqu'à la cuisson désirée.
Bien cuit	3,8 cm	Moyenne	30 à 40 minutes	
Côtes		Moyenne	30 à 40 minutes	Griller en retournant à l'occasion. Pendant les dernières minutes de cuisson, balayer avec de la sauce barbecue. Retourner plusieurs fois.
Morceau de jambon (précuisiné)	Tranches de 2,5 cm	Élevée	4 à 8 minutes	Découper les bords. Griller en retournant une seule fois.
Hotdogs		Faible	5 à 10 minutes	Taillader la peau. Griller en ne retournant qu'une fois
VOLAILLE	900 g à 1,4 kg	Faible ou Moyenne	Jusqu'à 1 heure	Placer la peau vers le haut. Griller en retournant et balayer fréquemment avec du beurre ou de la margarine fondus, de l'huile ou la marinade.
Poitrine Bien cuite		Moyenne	30 à 45 minutes	Mariner si souhaité.
POISSON ET CRUSTACÉS Flétan Saumon Espadon	2 cm à 2,5 cm	Moyenne à Élevée	8 à 15 minutes	Griller en retournant à l'occasion. Balayer avec du beurre, de la margarine fondus ou de l'huile pour qu'il reste tendre.
Poisson chat Truite arc-en-ciel entiers	113 à 226 g	Moyenne à Élevée	12 à 20 minutes	Griller en retournant à l'occasion. Balayer avec du beurre, de la margarine fondus ou de l'huile. Balayer avec du beurre fondu et du jus de citron.

SAUMON AU BARBECUE

2 grandes darnes de saumon
2 c. à soupe Huile
Poivre et sel
60 g de tranches de lard
2 c. à soupe de beurre
1 c. à soupe jus de citron
Bouquet de persil
Tranches de citron

Préchauffer le barbecue.

Brosser les biftecks avec de l'huile et les assaisonner avec du sel et du poivre. Placer sur la grille du barbecue et cuire pendant 10 minutes, retourner les biftecks à mi-cuisson.

En attendant, faire griller le lard dans une poêle sur le brûleur latéral. Égoutter sur des serviettes en papier. Faire fondre le beurre dans une petite poêle en prenant soin de ne pas le décolorer. Placer le poisson et le lard sur des assiettes. Mettre du beurre et ajouter du jus de citron. Garnir avec les bouquets de persil et les tranches de citron. Servir avec des pommes de terre dans le beurre et saupoudrer avec du persil coupé et de la salade craquante.

Remarque : Substituer le saumon avec du poisson chat, du flétan ou de la morue.

MAÏS CUIT AU CHILI

6 épis de taille moyenne, dépouillés
3 c. à soupe de beurre ou margarine, fondues
Une pincée de cumin moulu
Une pincée de coriandre moulu

Environ ½ h avant la cuisson, fondre le beurre. Placer chaque épis sur une feuille d'aluminium. Mettre les ingrédients restants dans le bol. Bien mélanger. Balayer le mélange de la ½ c à café de beurre sur chaque épis. Fermer la feuille d'aluminium et retourner les coins. Placer sur le gril. Cuisiner, tournant les paquets de temps en temps entre 10 et 12 minutes ou jusqu'à une bonne cuisson.

KEBABS DE FRUITS DE MER À LA SAUCE PIQUANTE

500 g de grosses crevettes, décortiquées et déveinées
750 g de coquilles St Jacques
2/3 d'une tasse de sauce chili
1 tasse de vinaigre de cidre

du beurre et du persil coupé saupoudré avec de la salade craquante. Dans un bol de taille moyenne, mettre les crevettes et les coquilles St Jacques. Dans un petit bol, mettre la sauce chili et les six autres ingrédients suivants. Verser sur les fruits de mer. Retourner pour recouvrir. Recouvrir et mettre au réfrigérateur pendant 2 heures.

3 c. à soupe de persil haché
1 c. à soupe d'huile végétale
1 c. à soupe Sauce Worcestershire
½ c. à café de raifort préparé
1 gousse d'ail, finement haché
1 boîte de conserve d'ananas en tranche de 560 g, dont le jus est vidé 1/2 heure avant la cuisson, réglez le brûleur du gril au maximum. Égoutter les fruits de mer en conservant le jus. Sur chacune des douze brochettes de 25 cm, enfiler 2 crevettes et 2 coquilles St Jacques en alternant avec des morceaux d'ananas. Placer les brochettes sur le gril. Cuisiner pendant 7 à 10 minutes, en arrosant et en tournant souvent.

COTELETTES DE PORC

4 Côtelettes de porc
Marinade
1 gros oignon
2 c. à soupe de jus de citron ou de vinaigre
2 c. à soupe d'huile
½ c. à café de moutarde en poudre
2 c. à café de sauce Worcestershire
½ c. à café de poivre fraîchement moulu
1 c. à soupe de sucre
½ c. à café de paprika
1 gousse d'ail

Éplucher, râper l'oignon et ajouter le reste des ingrédients sauf pour les côtelettes de porc. Bien mélanger. Verser sur les côtelettes et laisser mariner pendant une heure dans un endroit frais. Régler le barbecue au maximum. Laisser chauffer pendant 10 minutes.

Griller les côtelettes en les brossant de temps en temps avec la marinade. Servir avec de la salade mixte en sauce vinaigrette rehaussée d'un aneth frais.

LONDON BROIL AU BARBECUE

4 à 6 portions
¾ de tasse d'une sauce italienne
1 c. à café de sauce Worcestershire
1 c. à café de moutarde sèche
¼ c. à café de thym, écrasé
1 oignon de taille moyenne, coupé en tranche
453 g de bifteck de flanc, marqué
2 c. à soupe de beurre, fondu

Ajouter les quatre premiers ingrédients, puis l'oignon et le bifteck de flanc. Mettre au réfrigérateur pendant 4 heures au moins ou pendant la nuit. Sortir le bifteck du réfrigérateur et griller sur le barbecue du gril préchauffé. Griller entre 5 et 7 minutes de chaque côté en arrosant fréquemment avec la marinade. Entre temps, griller les oignons de la marinade dans du beurre sur une poêle sur le brûleur à côté pendant 3 minutes. Pour servir, couper le bifteck en diagonale en tranches fines, saupoudrer les oignons sur le dessus. Garnir avec les kebabs de légumes.

POMMES AU TERRE AU BARBECUE ET FROMAGE

1 tasse ½ de fromage cheddar râpé
1 boîte (300 g) de soupe condensée de crème de champignons
1/3 de tasse de lait
2 c. à soupe de sauce de barbecue
¼ c. à café d'origan
¼ c. à café de sel
1/8 c. à café de poivre
4 tasses de pommes de terre coupées finement (4 pommes de terre de taille moyenne)

Préchauffer le gril. Ajouter le fromage, la soupe condensée, le lait, la sauce barbecue, l'origan, le sel et le poivre dans un grand bol pour mélanger. Remuer les pommes de terre jusqu'à ce qu'elles soient bien recouvertes. Tournant dans un plat de cuisson rectangulaire 1 litre 1/2 bien beurré. Recouvrir le plat avec une feuille en aluminium. Cuire couvert pendant 25 minutes à feu moyen avec le couvercle de votre gril barbecue fermé. Enlever la feuille et continuer la cuisson pendant 15 minutes en plus ou jusqu'à ce que les pommes de terre soient tendres. Laisser reposer pendant 5 minutes avant de servir.

KEBABS DE LÉGUMES

3 courgettes de taille moyenne
12 tomates cerise
12 champignons frais
Parmesan râpé
Étuvier les courgettes en entier pendant 5 minutes sur le brûleur latéral ou jusqu'à ce qu'elles soient bien cuites. Égoutter et couper en tranches de 1,2 cm. Enfiler les courgettes, tomates et champignons en les alternant sur les six brochettes. Brosser avec la marinade préparée avec une sauce italienne, de la sauce Worcestershire, de la moutarde et du thym. Faire griller pendant 5 à 7 minutes en tournant et en arrosant de temps en temps. Saupoudrer à volonté le parmesan.

FAJITAS

500 g de bifteck de flanc ou de poitrine de poulet désossée
 2 c. à soupe d'huile
 ½ tasse de jus de citron
 ½ c. à café de sel
 ½ c. de sel de céleris
 ¼ c. à café de poudre d'ail
 ½ c. à café de poivre
 ¼ c. à café d'origan
 ¼ c. à café de cumin
 Quatre tortillas
 Piler le bifteck à une épaisseur de 2.50 cm ou aplatir les poitrines de poulet. Mélanger l'huile, le jus de citron et l'assaisonnement dans un sac ziplock. Ajouter la viande et secouer le sac pour bien recouvrir la viande. Mettre au réfrigérateur pendant 6 heures au moins ou pendant la nuit. Enrouler les tortillas dans la feuille d'aluminium. Retirer la viande de la marinade. Cuisiner sur un gril au gaz préchauffé pendant 5 à 8 minutes de chaque côté. Pendant que la viande cuit, chauffer les tortillas sur le gril. Couper la viande en tranches fines dans le sens du grain. Placer sur le plateau chauffant. Presser le citron dessus. Envelopper la viande et toute la garniture dans les tortillas : tomates coupées en morceau, guacamole, crème fraîche, sauce taco.

KEBABS DE BOEUF ET D'AGNEAU

Portion 4
 250 g de tranche d'épaule désossée ou de bœuf coupé en morceau de 2,5 cm
 250 g de longe d'agneau désossé coupé en cubes de 2,5 cm
 2/3 d'une tasse d'eau, divisée
 ¼ de tasse d'oignon coupé
 2 c. à soupe de sauce de soja
 ¼ de tasse d'huile végétale, divisée
 1 c. à soupe de sucre brun
 1 c. à soupe de jus de citron frais
 2 gousses d'ail, hachées finement
 ¼ c. à café de cumin moulu
 ¼ c. à café de coriandre moulu
 ¼ c. à café de curcuma moulu
 1/8 c. à café de poivre rouge moulu
 1/8 c. à café de gingembre moulu
 1 poivron rouge coupé en morceaux
 1 grande banane coupée en morceaux
 8 petits champignons
 1/3 d'une tasse de beurre de cacahuètes lisses
 Dans un mixeur, ajouter 1/3 de tasse d'eau, les oignons, la sauce de soja, 2 c. à café d'huile et les 8 autres ingrédients suivants jusqu'à ce que le mélange soit bien lisse. Verser sur les cubes de viande et laisser mariner pendant 4 heures en tournant de temps en temps. Égoutter et conserver la marinade. Sur les quatre brochettes de 30 cm, enfiler en alternance la viande, le poivron, la banane et les champignons. Préchauffer le gri. Balayer les kebabs avec de l'huile. Griller pendant 7 à 8 minutes de chaque côté.

Cuire la marinade jusqu'à ce qu'elle arrive à ébullition sur le brûleur latérale dans une poêle. Ajouter 1/3 de tasse d'eau restante et de beurre de cacahuète. Remuer pour bien mélanger. Faire chauffer. Si la sauce épaisse trop, ajouter 1 c. à soupe d'eau. Servir la sauce avec les kebabs.

CAVIAR À L'AUBERGINE

1 grosse aubergine
 2 c. à soupe d'huile d'olive
 2 c. à soupe de vinaigre de vin
 2 c. à soupe d'oignon haché
 ½ gousse d'ail, hachée finement
 1 tomate moyenne, coupée en morceaux, poivre et sel
 Faire griller l'aubergine sur le gril au gaz à feu moyen, tourner de temps en temps jusqu'à ce qu'elle soit bien cuite. La cuisson peut prendre 30 minutes. Enlever du gril et laisser refroidir. Enlever la peau et couper finement l'aubergine. Ajouter tous les assaisonnements. Laisser refroidir et servir sur des toasts.

POULET STYLE TANDOURI

8 grandes cuisses de poulet
 1 tasse de yogourt nature maigre
 ½ tasse de jus de citron
 2 c. à café de sel
 ½ c. à café de poivre de cayenne
 ½ c. à café de poivre
 ½ c. à café d'ail écrasé
 ¼ c. à café de gingembre râpé
 1 c. à soupe d'huile de maïs
 Mélanger tous les ingrédients dans un grand bol de mélange et laisser le poulet mariné pendant 8 heures dans le réfrigérateur. Égoutter le poulet et placer sur la broche en passant la tige du côté de l'os où il y a le plus de viande.
 Rôtir à l'aide du brûleur de rôtisserie. Faire cuire à feu moyen-élevé pendant 40 minutes en arrosant de temps en temps avec le reste du mélange de la marinade. Servir avec les oignons coupés et les tranches de citron.

COTES

Marinade :
 1 tasse de sauce de soja
 ½ de tasse de miel
 ½ de tasse de vinaigre
 ½ tasse de sherry sec
 2 c. à soupe d'ail haché
 2 c. à soupe de sucre
 1 tasse d'eau
 1 cube de bouillon de poulet
 1 cannette de bière pour arroser

Mariner les côtes pendant 3 heures. Utiliser la marinade pour arroser en y ajoutant de la bière. Placer un plateau sous les côtes et arroser fréquemment. Pour cuire les côtes, choisir des côtes maigres et charnues et les placer en accordéon sur la broche. Passer les crochets de viande à quatre fourches dans le sens de la longueur de la broche et serrer. Au début du rack au centre, introduire la deuxième côte sur l'extrémité pointée de la broche et pousser entre la viande. En ignorer deux et continuer jusqu'à ce que le rack entier soit en accordéon. Fixer le deuxième crochet de viande au rack. Régler le brûleur de rôtisserie sur élevé. Faire rôtir pendant 50 minutes ou jusqu'à bien cuits.

RÔTI DE PORC

Sauce d'arrosage au vinaigre de cidre de pommes
 1 tasse de vinaigre de cidre de pommes
 170 ml d'eau
 ½ morceau de beurre
 Assaisonnement de sel, poivre, persil et ail
 60 ml de jus de citron
 4,5 kg de rôti de porc
 Durée: 1:1/2 à 2 heures
 Amener le porc à la température ambiante avant de le placer sur la tige. Placer sur la tige et tester l'équilibre. Allumer le brûleur de rôtisserie. Régler le bouton sur élevé. Utiliser la sauce d'arrosage ci-dessus pour rôtir.

DINDE

Dinde de 5,5 kg
 Sauce d'arrosage à la bière:
 1 cannette de bière
 240 ml d'eau
 1 morceau de beurre
 1 c. à café de sel
 1 c. à café de poivre
 ½ c. à café de flocons d'ail
 1 c. à café de persil
 Décongeler complètement la dinde. Bien laver l'extérieur et l'intérieur. Attacher les pattes et les ailes. Allumer le brûleur de rôtisserie. Régler sur élevé. Mélanger tous les ingrédients pour la sauce d'arrosage dans un plat de cuisson creux. Les placer sous la dinde pendant 15 à 20 minutes. Laisser cuire pendant 3 heures environ. La sauce d'arrosage avec l'égouttement de la dinde permet d'obtenir un jus délicieux.

Nexgrill garantit à l'acheteur-consommateur d'origine uniquement que ce produit (*Modèle n°720/730-0882A*) est exempt de défaut de fabrication et de matériaux après un assemblage correct et dans des conditions d'utilisation normales et raisonnables au domicile pendant les périodes indiquées ci-dessous à compter de la date d'achat. Le fabricant se réserve le droit de demander une photo comme preuve du dommage ou de renvoyer les pièces défectueuses, tout frais d'expédition par voie postale ou transport prépayé par le consommateur, à titre de révision et d'inspection. L'obligation de Nexgrill est limitée à la réparation, le remplacement ou la valeur dépréciée, au gré de Nexgrill.

Grilles de cuisson, allumage électronique : Garantie LIMITÉE de 8 ans

* Ne couvre pas les chutes, les écaillages, les éraflures ni les dommages à la surface.

Pièces en acier inoxydable : Garantie LIMITÉE de 1 ans contre la perforation.

* Ne couvre pas les problèmes cosmétiques telles que la corrosion de la surface, les éraflures et la rouille .

Toutes les autres pièces : Garantie LIMITÉE de 1 an

* Ne couvre pas l'écaillage, les éraflures, les fissures, la corrosion de la surface ou la rouille .

Une fois que le consommateur fournissant la preuve d'achat, tel qu'indiqué ci-contre, le fabricant répare ou remplace les pièces qui sont prouvées défectueuses pendant la période de garantie applicable. Les pièces requises pour l'exécution de ladite réparation ou le remplacement seront gratuites sauf pour les frais d'expédition, tant que l'acheteur soumet sa demande dans la période de garantie depuis la date d'origine de l'achat. L'acheteur-consommateur d'origine sera responsable des frais d'expédition des pièces remplacées selon les conditions de la présente garantie limitée. La présente garantie limitée est applicable aux États-Unis uniquement et uniquement disponible au propriétaire d'origine du produit. Elle *n'est pas transférable*. Le fabricant requiert une preuve raisonnable de votre date d'achat. Vous devez en conséquence conserver votre reçu d'achat et/ou facture. Si l'unité a été offerte en cadeau, demandez au donneur du cadeau d'envoyer le reçu en votre nom à l'adresse indiquée ci-dessous. Toute pièce défectueuse ou manquante soumise à la présente garantie limitée ne sera pas remplacée sans enregistrement ni preuve d'achat. La présente garantie limitée s'applique à la fonctionnalité du produit UNIQUEMENT et ne couvre pas les questions cosmétiques, telles que les éraflures, les bosses, les corrosions ou la décoloration résultant de la chaleur ou des agents de nettoyage chimique ou tout autre type d'outil utilisé pour l'assemblage ou l'installation de l'appareil, la rouille sur la surface ou la décoloration des surfaces en acier inoxydable. La rouille de la surface, la corrosion ou l'écaillage de la peinture en poudre sur les pièces métalliques n'affectent pas l'intégrité structurelle du produit et ne sont pas considérés comme défaut de fabrication ou de matériaux. En conséquence, ils ne sont pas couverts par la présente garantie. La présente garantie ne rembourse pas le coût de toute complication, aliment, blessure personnelle ni dommage matériel. Si une pièce de remplacement d'origine n'est pas disponible, une pièce de remplacement comparable sera envoyée. Vous serez responsable des frais d'expédition de toutes les pièces remplacées selon les conditions de la présente garantie limitée.

ÉLÉMENTS QUE LE FABRICANT NE REMBOURSE PAS :

Interventions pour réparation à votre domicile.

Réparations lorsque votre produit est utilisé pour une utilisation autre qu'une famille normale ou résidentielle.

Dommage résultant d'accident, modification, utilisation erronée, manque de maintenance/nettoyage, abus, incendie, inondation, cas de force majeure, installation incorrecte et installation ne correspondant pas aux codes d'électricité ou de plomberie ou utilisation des produits non approuvés par le fabricant.

Toute perte d'aliment en raison de pannes de produit.

Pièces de remplacement ou coûts de main-d'œuvre pour la réparation pour les unités utilisées en dehors des États-Unis ou au Canada.

Prise en charge et livraison de votre produit.

Frais d'expédition ou de traitement des photos envoyées dans des documents.

Réparation des pièces ou des systèmes résultant de modifications non autorisées apportées au produit.

La prise en charge et/ou réinstallation de votre produit.

Coût d'expédition, standard ou expédié, pour les pièces sous garantie/non garantie et de remplacement.

CLAUSE DE DÉNÉGATION DE RESPONSABILITÉ DES GARANTIES IMPLICITES: LIMITES DES RECOURS

La réparation ou le remplacement des pièces défectueuses sont votre recours exclusif conformément aux conditions de la présente garantie limitée. Le fabricant n'est pas responsable des dommages directs ou accessoires découlant d'une infraction à la présente garantie limitée ou à toute autre garantie implicite applicable ou toute défaillance ou dommage résultant de cas fortuit, entretien et maintenance incorrects, incendie déclenché par la graisse, accident, modification, remplacement de pièces de marques fabriquées par tiers, utilisation erronée, transport, utilisation commerciale, abus, environnements hostiles (temps rudes, calamités naturelles, modifications par des animaux), installation inappropriée ou non conforme aux codes locaux ou aux instructions imprimées du fabricant.

LA PRÉSENTE GARANTIE EST LA SEULE GARANTIE EXPRESSE OFFERTE PAR LE FABRICANT. AUCUNE SPÉCIFICATION DE PERFORMANCE OU DESCRIPTION DU PRODUIT, WHEREVER IT APPEARS N'EST GARANTIE PAR LE FABRICANT SAUF DANS LA FORME TELLE QUE STIPULÉE DANS LA PRÉSENTE GARANTIE. TOUTE PROTECTION DE GARANTIE IMPLICITE DÉCOULE DES LOIS D'UN ÉTAT QUELCONQUE, Y COMPRIS GARANTIE IMPLICITE DE COMMERCIALISATION OU D'ADAPTABILITÉ DANS UN OBJECTIF OU EMPLOI PARTICULIER EST PAR LA PRÉSENTE LIMITÉE EN TEMPS À LA DURÉE STIPULÉE CI-CONTRE.

Ni les revendeurs ni l'établissement de vente au détail vendant ce produit n'ont le droit de proposer d'autres garanties supplémentaires ou de promettre des recours additionnels ou ne correspondant pas aux déclarations susmentionnées. La responsabilité maximum du fabricant, dans tous les cas, ne peut pas dépasser le prix d'achat documenté du produit réglé par le consommateur d'origine. La présente garantie ne s'applique qu'aux unités achetées auprès d'un vendeur au détail ou revendeur agréé. REMARQUE : Certains états n'autorisent pas l'exclusion ni la limite de dommages directs ou indirects, en conséquence certaines limites ou exclusions susmentionnées peuvent ne pas vous concerner ; la présente garantie limitée vous confère des droits spécifiques légaux tels que stipulés dans les présentes. Vous pouvez en outre bénéficier d'autres droits variant d'un état à un autre.

Pour faire valoir vos droits conformément à la présente garantie limitée, vous devez envoyer un courrier à :

Nexgrill's Customer Relations

14050 Laurelwood PI

Chino, CA 91710 U.S.A.

Pour toute assistance concernant un retour de marchandises, des questions d'ordre général et des problèmes de dépannage, veuillez contacter. le U.S.A:1- 800-913-8999.

Conversion au gaz naturel pour grill modèle 720/730-0882A

⚠ AVERTISSEMENT ! LA NON CONFORMITÉ AUX PRÉSENTES CONSIGNES PEUT DÉCLENCHER UN INCENDIE OU UNE EXPLOSION SUSCEPTIBLES D'ENTRAÎNER DES LÉSIONS CORPORELLES GRAVES VOIRE LA MORT OU DES DOMMAGES MATÉRIELS.

La conversion au gaz naturel doit être effectuée par un **TECHNICIEN QUALIFIÉ EN GAZ UNIQUEMENT**. Celui-ci est responsable de la conformité aux normes locales relatives - mais non limitées - au type de régulateur requis et à son installation propre. **N'ESSAYEZ PAS DE L'INSTALLER VOUS-MÊME**. Une conversion incorrecte peut provoquer une fuite de gaz, susceptible de déclencher un incendie ou une explosion pouvant entraîner des lésions corporelles graves voire la mort ou des dommages matériels. Les fuites résultant d'une conversion incorrecte peuvent survenir immédiatement ou lentement. Si vous entendez des bruits étranges ou sentez des odeurs de gaz ou des odeurs inhabituelles ou si vous remarquez quelque chose d'inhabituel pendant le fonctionnement de votre appareil à gaz après l'installation, coupez immédiatement le gaz et n'utilisez plus l'appareil tant qu'un **TECHNICIEN QUALIFIÉ** ne l'a pas réparé.

Tableau des orifices

Les valves de brûleur du grill ont des valeurs nominales en BTU qui diffèrent. Cela signifie que la quantité de gaz provenant de chaque orifice varie selon les BTU. Les trous dans les orifices sont de tailles différentes afin de permettre à la quantité de gaz appropriée de s'écouler. Le tableau ci-dessous sert de référence pour les tailles de valves du grill.

Tailles d'orifice pour grill 720-0882A, 730-0882A

Composants	Propane liquide (GPL)		Gaz naturel (GN)	
	Taille d'orifice	BTU	Taille d'orifice	BTU
Brûleur principal	0.88 mm	9 000	1.46 mm	9 000
Brûleur latéral	1.02 mm	12 000	1.70 mm	12 000

Liste des pièces requises pour la conversion au gaz naturel :

Pièces fournies :

- Orifices à gaz naturel

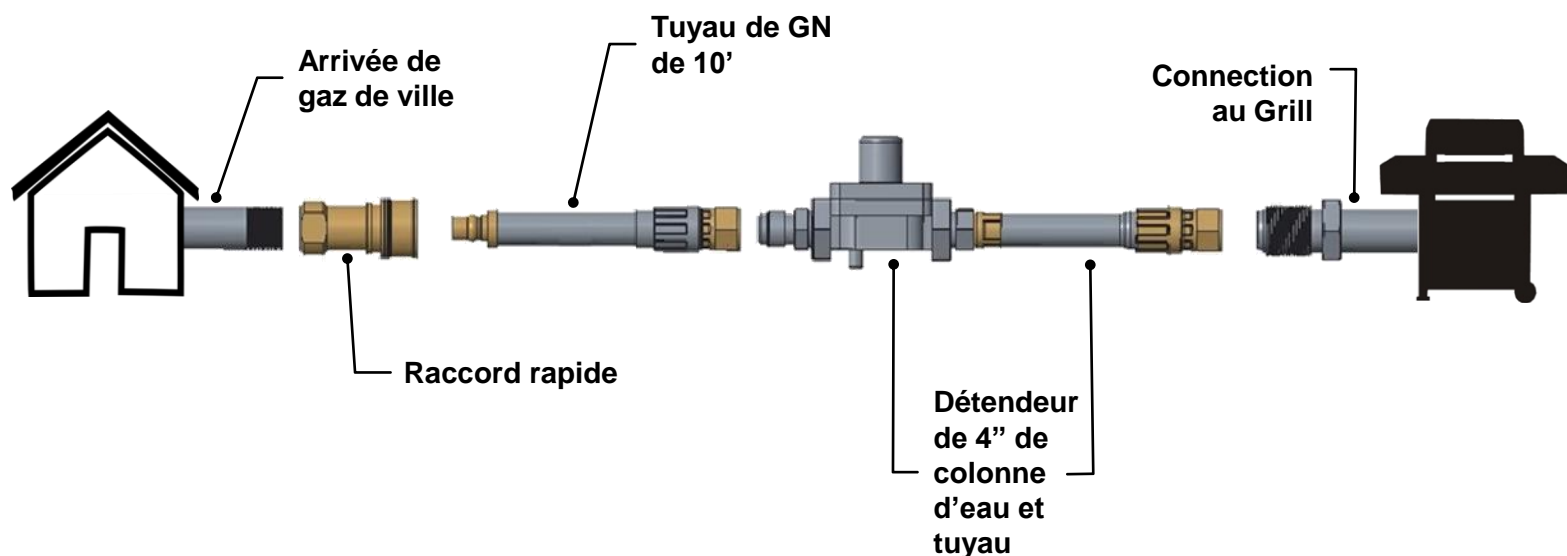
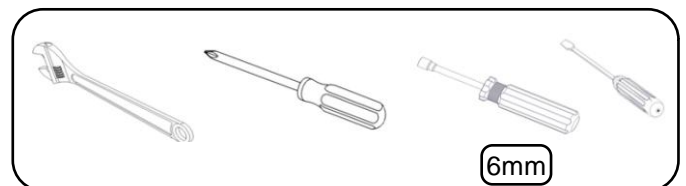
Autres pièces nécessaires :

- Raccord rapide
- Tuyau pour gaz naturel de 10 pieds (3 m)
- Détendeur de 4" de colonne d'eau et tuyau

Outils :

- Tourne-écrou de 6 mm
- Clé de 6 mm
- Clé Allen

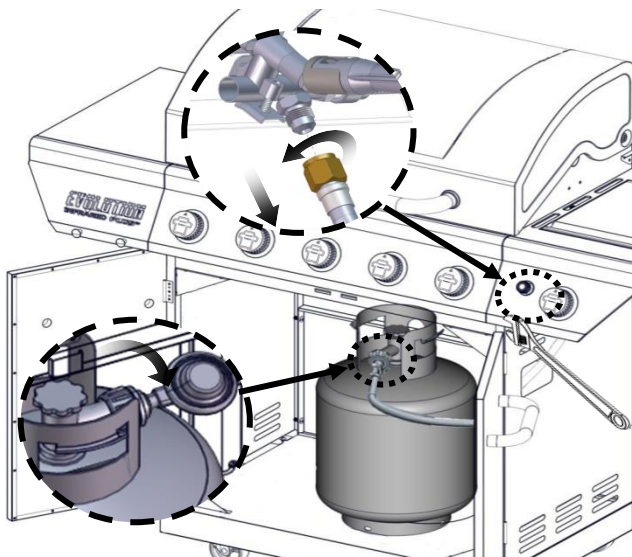
Les outils ci-dessous sont nécessaires à l'conversion :



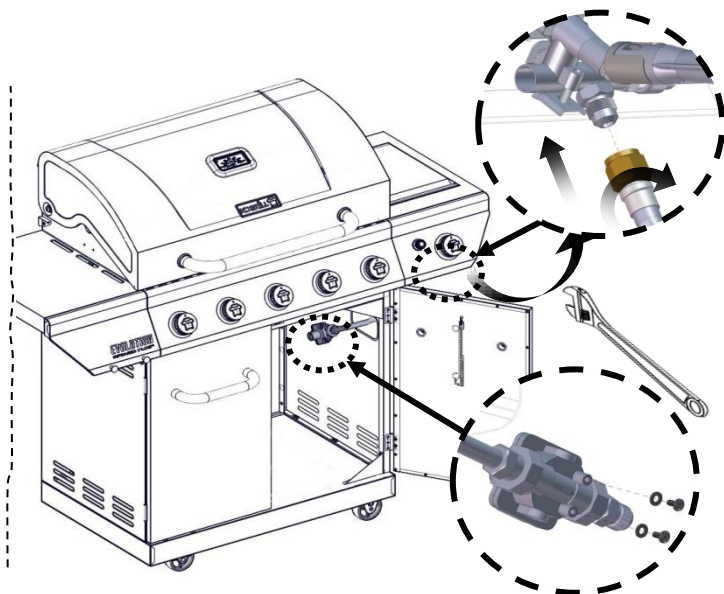
CONVERSIONS POUR CHANGEMENT DE GAZ

Installation du détendeur

1. Fermer le robinet d'arrêt de la canalisation de gaz.
2. Débrancher le gril ou déconnecter la source de courant électrique.
3. Débrancher la bouteille de gaz propane de 20 lb (le cas échéant).
4. Fermer les robinets de commande de tous les brûleurs.
5. Retirer la bouteille de gaz propane de 20 lb (le cas échéant) du chariot du gril.
6. Utiliser une clé à molette pour retirer le raccord du détendeur pour gaz propane de la tubulure de distribution.

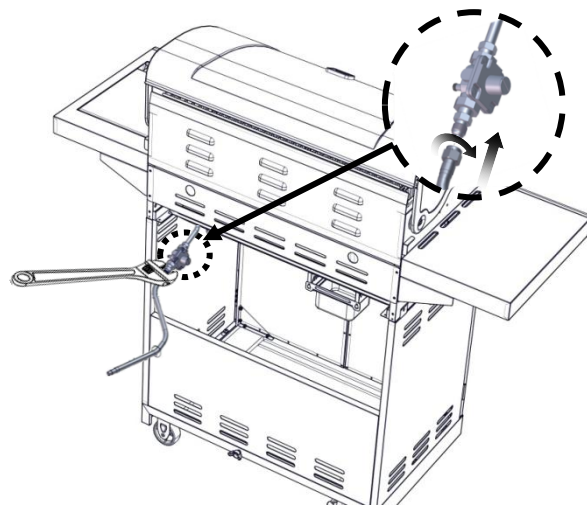


6. . Utiliser une clé à molette pour installer le détendeur pour gaz naturel sur la tubulure de distribution et fixer. Fixer le détendeur pour gaz naturel au panneau latéral à l'intérieur du chariot du gril à l'aide des deux vis préassemblées sur le détendeur.

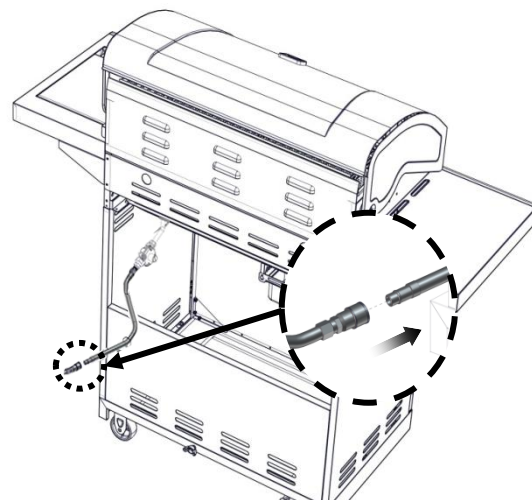


Raccordement au gaz

1. On doit employer une combinaison de raccords pour raccorder le gril à la canalisation de gaz existante.
 - On doit utiliser le tuyau d'alimentation en gaz flexible en PVC homologué CSA de 10 pi (3 m).
 - Pour l'étanchéité des jointures, utiliser un composé d'étanchéité pour tuyauterie compatible avec le gaz naturel. Ne pas utiliser de ruban adhésif Teflon®†.
 - La canalisation d'alimentation en gaz doit comporter un robinet d'arrêt manuel (homologué) facilement accessible à proximité du gril.
2. Connecter le raccord en laiton à une extrémité du tuyau d'alimentation de gaz flexible en PVC de 10 ft (3 m) au détendeur pour gaz naturel.



3. Connecter le raccord à branchement rapide à l'autre extrémité du tuyau d'alimentation de gaz flexible en PVC de 10 pi (3 m) à la canalisation rigide d'alimentation en gaz naturel.
4. S'il vous plaît faire essai de fuite après la conversion. Voir page 51 .

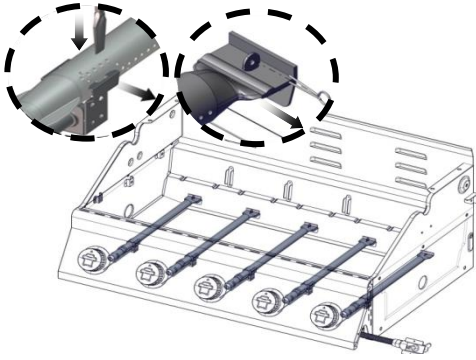


a. Pour tout test de pressurisation du système à une pression supérieure à $\frac{1}{2}$ lb/po² (3,5 kPa), on doit déconnecter le gril et son robinet d'arrêt des canalisations d'alimentation en gaz à pressuriser.

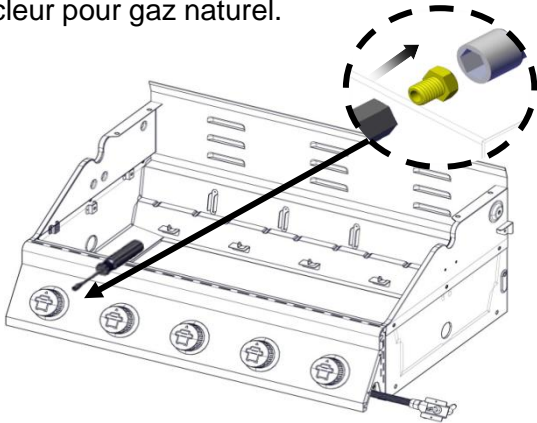
b. Le gril doit être isolé des canalisations d'alimentation en gaz par la fermeture du robinet d'arrêt manuel individuel durant tout test de pressurisation de la canalisation de gaz à une pression inférieure ou égale à $\frac{1}{2}$ lb/po² (3,5 kPa).

Remplacement des gicleurs de brûleur du grill

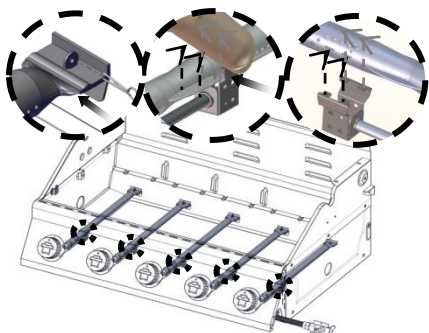
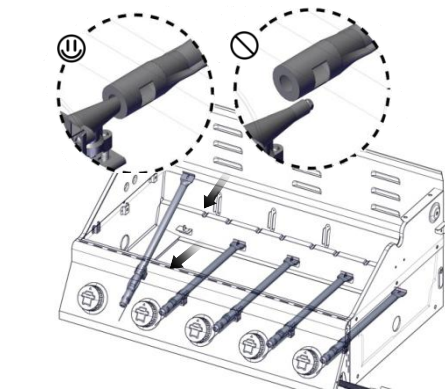
1. Ôter les grilles et les régulateurs de flamme.
2. Retirez les 2 vis et la goupille fendue fixant le brûleur. Mettre les vis et la goupille de côté. Retirez le brûleur du grill en le soulevant pour le dégager.



3. Démontez le gicleur en laiton de l'extrémité du robinet de gaz à l'aide d'une clé à douille de 6 mm ou d'un tourne-écrou de 6 mm. Remplacer par le gicleur pour gaz naturel.

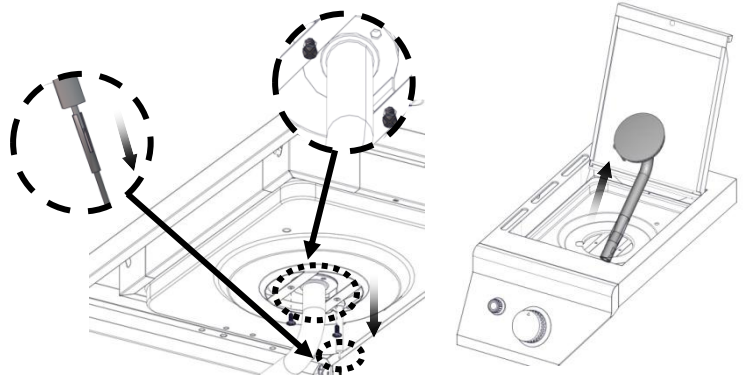


- IMPORTANT:** Vérifier que le gicleur est correctement installé dans l'ouverture du brûleur.
4. Réinsérer le brûleur et le fixer à nouveau à l'aide des 2 vis précédemment retirées. Répéter ce processus pour chaque brûleur principal.
 5. Positionner les allumeurs de façon à ce qu'ils se trouvent à 1/8" (3.2 mm) de chaque brûleur.

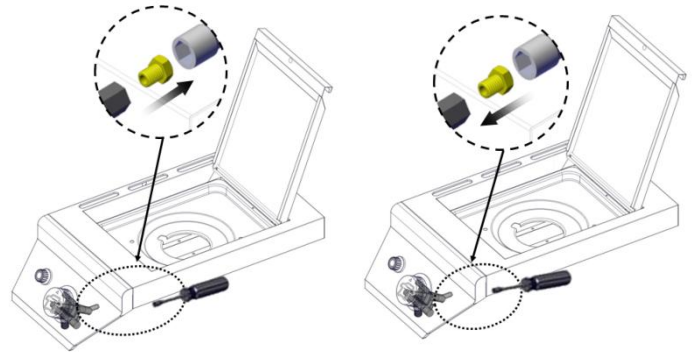


Changer d'orifice pour le Brûleur latéral

1. Retirer les deux vis qui pré-assemblés sur le tube du brûleur latéral, puis soulevez le tube du brûleur latéral à partir de brûleur latéral chambre de combustion, comme indiqué ci-dessous.

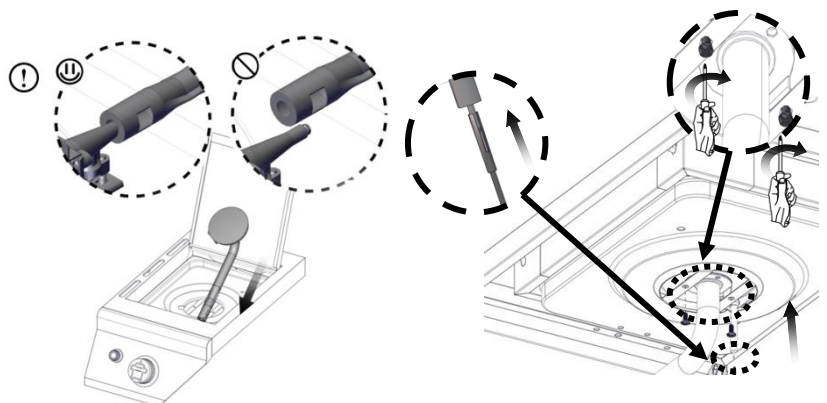


2. Démontez le gicleur à l'aide d'une clé à douille ou d'un tourne-écrou de 6 mm. Remplacer par le gicleur pour gaz naturel.



IMPORTANT : Vérifier que le gicleur est correctement installé dans la valve.

3. Réinstallez le Brûleur latéral, resserrez le connecteur en cuivre de l'orifice du Brûleur latéral et le tube du Brûleur latéral à l'aide d'une clé.



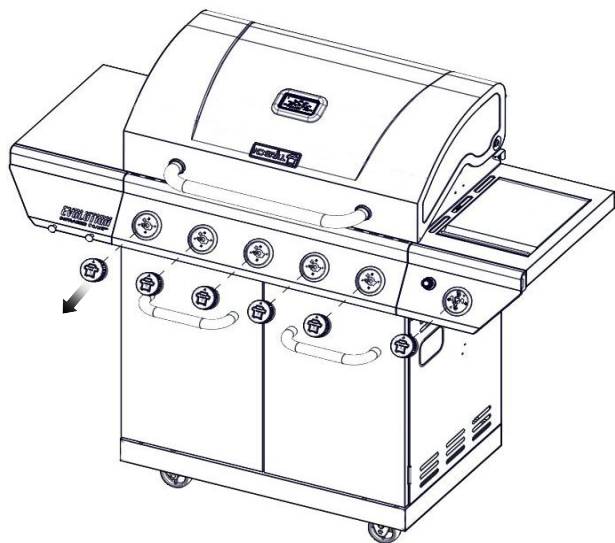
4. Ouvrir le robinet d'arrêt manuel sur la canalisation d'alimentation en gaz. Le robinet est ouvert lorsque la poignée est parallèle au conduit d'alimentation en gaz.

5. Testez tous les raccordements à l'aide d'une solution de détection de fuites non corrosive approuvée. Les bulles indiquent la présence d'une fuite. Réparez toutes les fuites

Ajustement de la vis de réglage de flamme haute

Lors de la conversion du propane au gaz naturel, il faut ajuster la vis de réglage de flamme haute pour obtenir la hauteur idéale de flamme de brûleur.

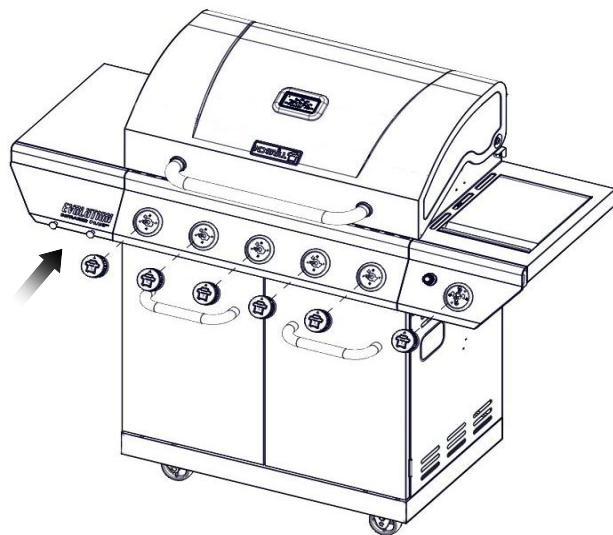
1. Retirer chaque bouton de commande du brûleur principal et du brûleur marquant.



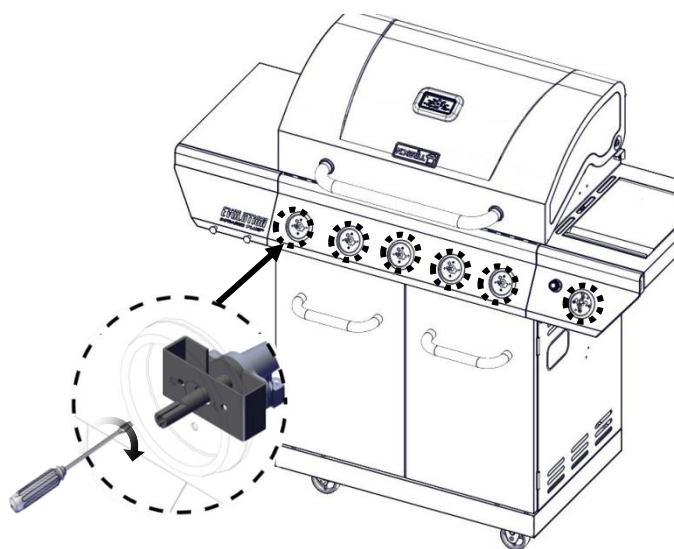
4. Réinstaller le bouton de commande et éteindre le brûleur.

5. Répéter les étapes 3 à 6 pour chaque brûleur au besoin.

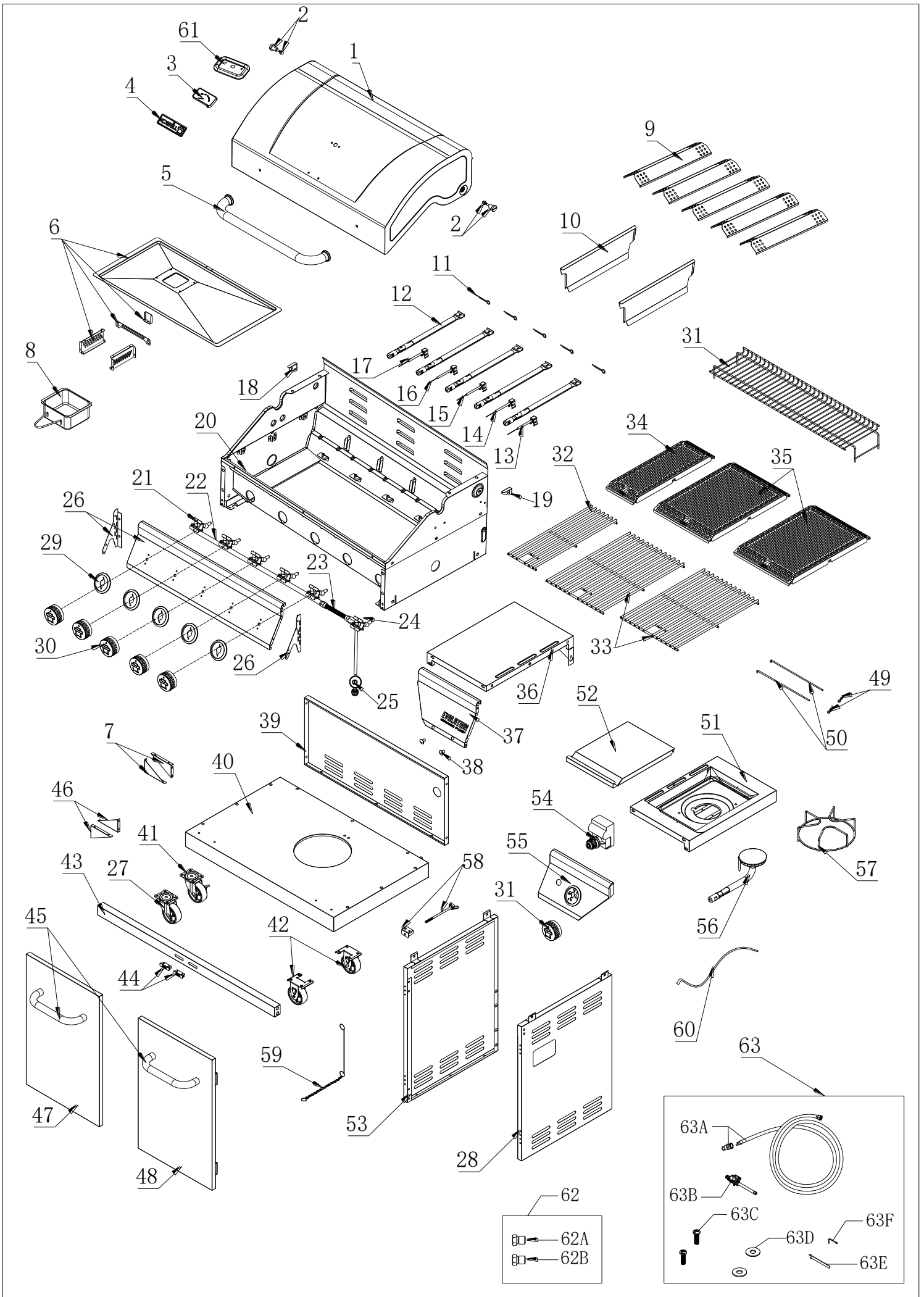
6. Après le refroidissement des brûleurs, réinstaller les régulateurs de flamme et les grilles.



2. Utiliser un tournevis à lame plate pour tourner la vis de réglage de flamme haute dans le sens horaire d'environ 90°.



3. Vérifier que le brûleur fonctionne au nouveau réglage de flamme haute. Il sera peut-être nécessaire d'ajuster légèrement le réglage de la vis pour obtenir la hauteur de flamme de brûleur idéale.



Parts List

No.	Part (Description)	Warranty coverage (Year)	QTY	No.	Part (Description)	Warranty coverage (Year)	QTY
1	Main Lid	1	1	38	Utensil hook	1	2
2	Main Lid screw	1	2	39	Rear panel	1	1
3	Temperature gauge	1	1	40	Bottom panel	1	1
4	Logo	1	1	41	Swivel caster with brake	1	1
5	Main lid handle	1	1	42	Caster	1	2
6	Grease pan assembly	1	1	43	Cart frame, Front	1	1
7	Triangle bracket A	1	2	44	Door magnet	1	2
8	Grease box	1	1	45	Door handle assembly	1	2
9	Flame tamer	1	5	46	Triangle bracket B	1	2
10	DIBS heat shield	1	2	47	Door, left	1	1
11	Burner pin assembly	1	5	48	Door, right	1	1
12	Main burner	8	5	49	Side burner lid hinge rod pin	1	2
13	Main burner igniter wire A	1	1	50	Side burner lid hinge rod	1	2
14	Main burner igniter wire B	1	1	51	Side burner bowl assembly, right	1	1
15	Main burner igniter wire C	1	1	52	Side burner lid	1	1
16	Main burner igniter wire D	1	1	53	Side panel, left	1	1
17	Main burner igniter wire E	1	1	54	Pulse Igniter Module	1	1
18	Lid bracket, left	1	1	55	Side burner control panel	1	1
19	Lid bracket, right	1	1	56	Side burner	1	1
20	Main burner bowl assembly	Non-replaceable	1	57	Side burner cooking grid	1	1
21	Main gas valve	1	5	58	Tank bolt	1	1
22	Main manifold	1	1	59	Lighting rod	1	1
23	Side burner flex gas line	1	1	60	Side burner igniter wire	1	1
24	side burner gas valve	1	1	61	Temperature gauge housing	1	1
25	Regulator, LP	1	1	62	NG orifice pack	1	1
26	Main control panel	1	1	62A	Main burner NG orifice ϕ 1.46mm	1	5
27	Swivel caster	1	1	62B	Side burner NG orifice ϕ 1.7mm	1	1
28	Side panel, right	1	1	63	NG Conversion kit		1
29	Main burner bezel	1	5	63A	NG gas hose with quick connector assembly	Sold separately as set with #63	1
30	Control knob	1	6	63B	NG Regulator assembly		1
31	Warming rack	1	1	63C	Truss head screw with lock		2
32	Cooking grid with hole A	1	1	63D	Flat Washer		2
33	Cooking grid with hole B	1	2	63E	6mm Wrench		1
34	Infrared PLUS™ Heat Plate (6.0"W)	3	1	63F	6 mm Nut Driver		1
35	Infrared PLUS™ Heat Plate (12.0"W)	3	2		K/D Hardware pack		1
36	Side shelf, left	1	1		Manual		1
37	Side shelf control panel	1	1				

Lista de partes

No.	Pieza (Descripción)	Cobertura por garantía (Anual)	CANT.	No.	Pieza (Descripción)	Cobertura por garantía (Anual)	CANT.
1	Tapa principal	1	1	38	Gancho para utensilios	1	2
2	Tornillo de la tapa principal	1	2	39	Panel trasero	1	1
3	Medidor de temperatura	1	1	40	Panel inferior	1	1
4	Logotipo	1	1	41	Rueda giratoria con freno	1	1
5	Mango de la tapa principal	1	1	42	Rueda	1	2
6	Ensamblaje del recipiente para grasa	1	1	43	Marco del carro, frente	1	1
7	Abrazadera triangular A	1	2	44	Imán para la puerta	1	2
8	Caja para grasa	1	1	45	Conjunto de mango de la puerta	1	2
9	Regulador de flama	1	5	46	Abrazadera triangular B	1	2
10	Pantalla térmica del DIBS	1	2	47	Puerta, lado izquierdo	1	1
11	Montaje del perno del quemador	1	5	48	Puerta, lado derecho	1	1
12	Mechero principal	8	5	49	Pasador de barra de la bisagra de la tapa del quemador lateral	1	2
13	Cable del encendedor del mechero principal A	1	1	50	Varilla de la bisagra de la tapa del mechero lateral	1	2
14	Cable del encendedor del mechero principal B	1	1	51	Ensamblaje del bol del mechero lateral	1	1
15	Cable del encendedor del mechero principal C	1	1	52	Tapa del mechero lateral	1	1
16	Cable del encendedor del mechero principal D	1	1	53	Panel lateral, izquierdo	1	1
17	Cable del encendedor del mechero principal E	1	1	54	Módulo del encendedor de pulso	1	1
18	Abrazadera de la tapa principal, izquierda	1	1	55	Panel de control del mechero lateral	1	1
19	Abrazadera de la tapa principal, derecha	1	1	56	Mechero lateral	1	1
20	ensamblaje del bol del mechero principal	No reemplazable	1	57	Rejilla de cocción del quemador lateral	1	1
21	Válvula de gas principal	1	5	58	Perno del tanque	1	1
22	Colector principal	1	1	59	Varilla de encendido	1	1
23	Línea de gas flexible para el mechero lateral	1	1	60	Cable del encendedor del mechero lateral	1	1
24	Válvula de gas del quemador lateral	1	1	61	Carcasa del medidor de temperatura	1	1
25	Regulador, del propano líquido	1	1	62	Paquete de orificios para gas natural	1	1
26	Panel de control principal	1	1	62A	Orificio para gas natural del mechero principal $\phi 1.46$ mm	1	5
27	Rueda giratoria	1	1	62B	Orificio para gas natural del quemador lateral $\phi 1.7$ mm	1	1
28	Panel lateral, lado derecho	1	1	63	Kit de conversión de gas natural		1
29	Bisel del mechero principal	1	5	63A	Manguera de gas natural con ensamblaje de conector rápido	Se vende por separado como conjunto con n.º 63	1
30	Perilla de control	1	6	63B	Ensamblaje del regulador de gas natural		1
31	Plataforma calentadora	1	1	63C	Tornillo de cabeza ovalada con bloqueo		2
32	Rejilla de cocción con agujero A	1	1	63D	Arandela plana		2
33	Rejilla de cocción con agujero	1	2	63E	Llave inglesa de 6 mm		1
34	Placa de Infrared PLUS™ (6.0"W)	3	1	63F	Botaperno de 6 mm		1
35	Placa de Infrared PLUS™ (12.0"W)	3	2		Paquete de herrajes K/D		1
36	Estante lateral izquierdo	1	1		Manual		1
37	Panel de control del estante lateral	1	1				

N°	Pièce (description)	Couverture de la garantie (nombre d'années)	QTÉ	N°	Pièce (description)	Couverture de la garantie (nombre d'années)	QTÉ
1	Couvercle principal	1	1	38	Crochet pour ustensiles	1	2
2	Vis du couvercle principal	1	2	39	Panneau arrière	1	1
3	Indicateur de température	1	1	40	Panneau inférieur	1	1
4	Logo	1	1	41	Roulette pivotante avec frein	1	1
5	Poignée du couvercle principal	1	1	42	Roulette	1	2
6	Réceptacle à graisse	1	1	43	Cadre du chariot, avant	1	1
7	Support triangulaire A	1	2	44	Aimant de porte	1	2
8	Réceptacle à graisse	1	1	45	Poignée de porte	1	2
9	Dispositif de contrôle des flammes	1	5	46	Support triangulaire B	1	2
10	Protecteur DIBS du chariot	1	2	47	Porte, gauche	1	1
11	Ergot du brûleur	1	5	48	Porte, droite	1	1
12	Brûleur principal	8	5	49	Ergot du bâtonnet charnière du couvercle du brûleur latéral	1	2
13	Fil d'allumage du brûleur principal A	1	1	50	Bâtonnet charnière couvercle du brûleur latéral	1	2
14	Fil d'allumage du brûleur principal B	1	1	51	Assemblage du bol du brûleur latéral, droit	1	1
15	Fil d'allumage du brûleur principal C	1	1	52	Couvercle du brûleur latéral	1	1
16	Fil d'allumage du brûleur principal D	1	1	53	Panneau latéral, gauche	1	1
17	Fil d'allumage du brûleur principal E	1	1	54	Module pour allumage à impulsions	1	1
18	Support du couvercle, gauche	1	1	55	Panneau de commande du brûleur latéral	1	1
19	Support du couvercle, droit	1	1	56	Brûleur latéral	1	1
20	Assemblage du bol de brûleur principal	Non remplaçable	1	57	Grille de cuisson du brûleur latéral	1	1
21	Valve de gaz principale	1	5	58	Boulon de réservoir	1	1
22	Collecteur principal	1	1	59	Bâtonnet d'allumage	1	1
23	Tuyau de gaz flexible du brûleur latéral	1	1	60	Fil d'allumage du brûleur latéral	1	1
24	Valve de gaz du brûleur latéral	1	1	61	Boîtier de l'indicateur de température	1	1
25	Régulateur, PL	1	1	62	Garniture pour orifice de gaz naturel	1	1
26	Panneau de commande principal	1	1	62A	Orifice pour GN du brûleur principal de \varnothing 1,46mm	1	5
27	Roulette pivotante	1	1	62B	Orifice pour GN du brûleur latéral de \varnothing 1,7mm	1	1
28	Panneau latéral, droite	1	1	63	Kit de conversion pour GN		1
29	Collerette du brûleur principal	1	5	63A	Tuyau de gaz naturel avec connecteur à branchement rapide	Vendu séparément comme ensemble avec réf. 63	1
30	Bouton de commande	1	6	63B	Assemblage du régulateur de gaz naturel		1
31	Grille chauffante	1	1	63C	Vis à tête bombée avec blocage		2
32	Grille de cuisson avec trou A	1	1	63D	Rondelle plate		2
33	Grille de cuisson avec trou B	1	2	63E	Clé 6 mm		1
34	Plaque Infrared PLUS™ (6.0"W)	3	1	63F	Tourne-écrou 6 mm		1
35	Plaque Infrared PLUS™ (12.0"W)	3	2		Quincaillerie K/D		1
36	Étagère latérale, gauche	1	1		Manuel		1
37	Panneau de commande de l'étagère latérale	1	1				