



LP Gas Grill page 1-13
PARRILLA A GAS PROPANO pagina 14-26
GRIL AU GAZ DE PÉTROLE LIQUÉFIÉ page 27-42

MODEL / MODÈLE / MODELO # 720-0894F



! WARNING
 To reduce the risk of fire, burn hazard or other injury, read the manual carefully and completely before using your grill.

! WARNING
 FOR OUTDOOR USE ONLY.

! WARNING
 This grill is not intended to be installed in or on recreational vehicles and/or boats.



Example only: SERIAL # _____ MFG. DATE _____ PURCHASE DATE: _____

19000584A1

Questions, problems, missing parts? Before returning to your retailer, call our customer service department at 1-800-913-8999 in USA, 8 a.m. - 5 p.m., PST, Monday - Friday



Table of Contents

Safety Precautions-----	3
Lighting Instructions-----	6
Cooking Instruction-----	9
Cooking Chart-----	10
Cleaning and Maintenance-----	11
Troubleshooting-----	12
Warranty-----	13
Parts Diagram -----	40
Parts List-----	41

State of California Proposition 65 Warnings:

WARNING: To operate, this equipment requires the use of propane gas, which contains the chemical Benzene which is known to the State of California to cause cancer and other reproductive harm.

WARNING: This product contains one or more chemicals known to the State of California to cause cancer.

WARNING: This product contains one or more chemicals known to the State of California to cause birth defects or other reproductive harm.

In the State of Massachusetts, the following installation instructions apply:

■ Installations and repairs must be performed by a qualified or licensed contractor, plumber, or gasfitter qualified or licensed by the State of Massachusetts.

■ If using a ball valve, it shall be a T-handle type.

■ A flexible gas connector, when used, must not exceed 3 feet.

ASSEMBLER: Leave this manual with consumer.

CONSUMER: Keep this manual for future reference.

ASEMBLADOR: Deje este manual al consumidor.

CONSUMIDOR: Conserve este manual para futuras referencias .

ASSEMBLEUR: Laissez ce manuel avec le consommateur.

CONSOMMATEUR: Conserver ce manuel à titre de référence ultérieure .

Precautions

WARNING

Failure to comply with these instructions could result in a fire or explosion that could cause serious bodily injury, death, or property damage.

WARNING

Your grill will get very hot. Never lean over the cooking area while using your grill. Do not touch cooking surfaces, grill housing, lid or any other grill parts while the grill is in operation, or until the gas grill has cooled down after use.

Failure to comply with these instructions may result in serious bodily injury.

WARNING

1. **Do not store or use gasoline or other flammable liquids or vapors in the vicinity of this or any other appliance.**
2. **An LP cylinder not connected for use shall not be stored in the vicinity of this or any other appliance.**

DANGER

If you smell gas:

1. **Shut off gas to the appliance.**
2. **Extinguish any open flame.**
3. **Open lid.**
4. **If odor continues, keep away from the appliance and immediately call your gas supplier or your fire department.**

Grill Installation Codes

The installation must conform with local codes or, in the absence of local codes, with either the national fuel gas code, ANSI Z 223.1/NFPA 54, Natural gas and propane installation code, CSA B149.1, or propane storage and handling code, B149.2, or the standard for Recreational vehicles, ANSI A 119.2, and CSA Z240 RV series recreational vehicle code, as applicable.

LP gas grill models are designed for use with a standard 20 lb. Liquid Propane Gas tank, not included with grill. Never connect your gas grill to an LP gas tank that exceeds this capacity.

A tank of approximately 12 inches in diameter by 18-1/2 inches high is the maximum size LP gas tank to use.

You must use an OPD gas tank which offers an Overfill Prevention Device.

This safety feature prevents the tank from being overfilled which can cause malfunction of the LP gas tank, pressure regulator and/or grill.

The LP gas tank must be constructed and marked in accordance with specifications of the U.S. Dept. of Transportation (DOT). In Canada, the LP gas tank must meet the National Standard of Canada, CAN/CSA-B339, Cylinders, spheres and Tubes for Transportation of Dangerous Goods and Commission.

1. The LP gas tank must have a shutoff valve, terminating in an LP gas supply tank valve outlet, that is compatible with a Type 1 tank connection device. The LP gas tank must also have a safety relief device that has a direct connection with the vapor space of the tank.
2. The tank supply system must be arranged for vapor withdraw.
3. The LP gas tank used must have a collar to protect the tank valve.

Proper Placement and Clearance of Grill

Never use your gas grill in a garage, porch, shed, breezeway or any other enclosed area. Your gas grill is to be used **outdoors only**, at least 36 inches from the back and side of any combustible surface. Your gas grill should not be used under overhead combustible construction. Do not obstruct the flow of ventilation air around the gas grill housing.

- Do not install this outdoor gas grill in or on recreational vehicles or boats
- Keep outdoor gas grill area clear and free from combustible materials, gasoline and other flammable vapors and liquids
- Do not obstruct the flow of combustion and ventilation air. Check for this each time prior to using grill.
- **Never** connect an unregulated LP gas tank to your gas grill. The gas pressure regulator assembly supplied with your gas grill is adjusted to have an outlet pressure of 11" water column (W.C.) for connection to an LP gas tank.
- Only use the pressure regulator and the hose assembly supplied with your gas grill. Replacement pressure regulators and hose assemblies must be those specified in this manual.

- Have your LP gas tank filled by a reputable propane gas dealer and visually inspected and re-qualified at each filling.
- Do not store a spare LP gas tank under or near this appliance.
- Never fill the tank beyond 80 percent full . If this information is not followed exactly a fire causing death or serious injury may occur.
- Always keep LP gas tanks in an upright position.
- Do not store or use gasoline or other flammable vapors and liquids in the vicinity of this gas grill.
- Do not subject the LP gas tank to excessive heat.
- Never store an LP gas tank indoors. If you store your gas grill in the garage or other indoor location, **always** disconnect the LP gas tank first and store it safely outside.



Always keep the LP cylinder at 90° (upright) orientation to provide vapor withdraw.

- Place dust cap on cylinder valve outlet whenever the cylinder is not in use. Only install the type of dust cap on the cylinder valve outlet that is provided with the cylinder valve. Other types of caps or plugs may result in leakage of propane.
- LP gas tanks must be stored outdoors in a well-ventilated area and out of reach of children. Disconnected LP gas tanks must not be stored in a building, garage or any other enclosed area.
- When your gas grill is not in use the gas must be turned off at the LP gas tank.
- The pressure regulator and hose assembly must be inspected before each use of the grill. If there is excessive abrasion or wear or if the hose is cut, it must be replaced prior to the grill being used again.
- Keep the gas pressure regulator hose away from hot grill surfaces and dripping grease. Avoid unnecessary twisting of hose. Visually inspect the hose prior to each use for cuts, cracks, excessive wear or other damage. If the hose appears damaged do not use the gas grill. Call 1-800-913-8999 for a replacement hose.
- **Never** light your gas grill with the lid closed or before checking to ensure the burner tubes are fully seated over the gas valve orifices.
- **Never** allow children to operate your grill.

WARNING

A strong gas smell, or the hissing sound of gas indicates a serious problem with your gas grill or the LP gas tank. Failure to immediately follow the steps listed below could result in a fire or explosion that could cause serious bodily injury, death, or property damage.

- Shut off gas supply to the gas grill.
- Turn the control knobs to OFF position.
- Put out any flame with a proper fire extinguisher.
- Open Grill Lid.
- Get away from the LP gas tank.
- Do not try to fix the problem yourself.
- If odor continues or you have a fire you can not extinguish, call your fire department. Do not call near the LP gas tank because your telephone is a form of electrical device and could create a spark resulting in fire and/or explosion.

NOTE: The normal flow of gas through the pressure regulator and hose assembly can create a humming noise. A low volume of noise is perfectly normal and will not interfere with operation of the grill. If humming noise is loud and excessive you may need to purge air from the gas line or reset the pressure regulator excess gas flow device. This purging procedure should be done every time a new LP gas tank is connected to your grill. For help with this procedure refer to page 7, Item 4 of "If Grill Still Fails To Light", or call the Grill Information Center at 1-800-913-8999.

CAUTION: Beware of Flash-Back

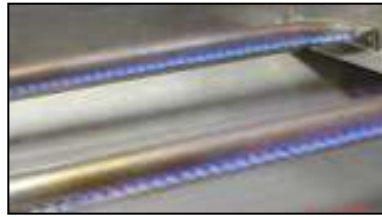
CAUTION: Spiders and small insects occasionally spin webs or make nests in the grill burner tubes during transit and warehousing. These webs can lead to gas flow obstruction which could result in a fire in and around burner tubes. This type of fire is known as "FLASH-BACK" and can cause serious damage to your grill and create an unsafe operating condition for the user.

Although an obstructed burner tube is not the only cause of "FLASH-BACK", it is the most common cause.

To reduce the chance of "FLASH-BACK", you must clean the burner tubes before assembling your grill, and at least once a month in late summer or early fall when spiders are most active. Also perform this burner tube cleaning procedure if your grill has not been used for an extended period of time.

See Cleaning Burner Tubes and Ports on page # 11.

Burner Flame Check



Visually check the burner flames prior to each use. The flames should look like picture, if they do not, refer to the cleaning burner tubes and ports, see page 11 of this manual.

Checking for LP gas leaks

Never test for leaks with a flame. Prior to first use, at the beginning of each season, or every time your LP gas tank is changed, you must check for gas leaks.

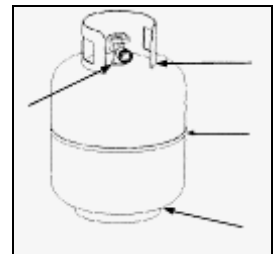
1. Make a 50/50 (soap/water) mild soap solution.
2. Turn the control knobs to full OFF position; then turn gas ON at supply tank.
3. Apply the soap solution with a clean brush to all gas connections. See below. If growing bubbles appear in the solution the connections are not properly sealed. Check each fitting and tighten or repair as necessary.

Gas Connection Leak Check



4. If you have a gas connection leak you cannot repair, turn gas OFF at supply tank, disconnect fuel line from your grill and call 1-800-913-8999 or your gas supplier for repair assistance.
5. Also apply soapy solution to the tank seams. See below. If growing bubbles appear, shut tank OFF and do not use or move it! Contact an LP gas supplier or your fire department for assistance.

Gas Tank Leak Check



Grill Lighting Instruction


Grill Lighting Instructions for Main Burners

1. Do not smoke while lighting grill or checking gas supply connections.
2. Be sure that LP gas tank is sufficiently full.




WARNING

Failure to open grill lid during the lighting procedure could result in a fire or explosion that could cause serious bodily injury, death, or property damage.

3. Be sure all gas connections are securely tightened.
4. Turn on gas supply.
5. Open the grill main lid.
6. Push and turn any main burner control knob to  /HIGH, at the same time, press and hold electronic ignition button to light the burner. Once the burner is lit, release the electronic ignition button and knob.



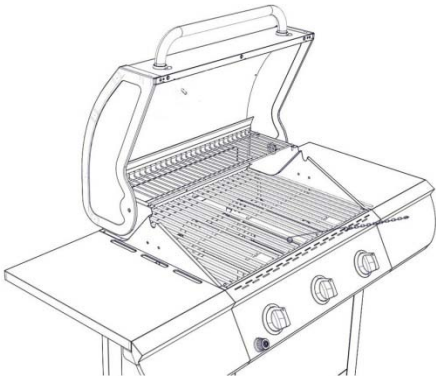
7. If the burner does not light after 5 seconds, turn knob to OFF. Turn gas OFF at LP tank and wait 5 minutes for gas to clear. Then turn gas ON at tank and repeat step 6.
8. If burner still does not light, see Match Lighting section and If Grill Still Fails to Light section on following page.
9. To light additional burners, turn burner knob(s) to  /HIGH. Push and hold electronic ignition button to light burner. Adjust knob(s) to desired setting.

⚠ WARNING

Never lean over the grill cooking area while lighting your gas grill. Keep your face and body a safe distance (at least 18 inches) from the cooking grid surface when lighting your grill by match.

Match light

- If the burner will not light after several attempts then the burner can be match lit, before using the match allow 5 minutes for any accumulated gas to dissipate.
- Clip a paper match on one end of the lighting rod.
- Light match.
- Hold lighting rod and insert lighted match right next to the burner ports or ceramic file.
- Push and turn the designated control knob to ⚡/HIGH.
- Burner should ignite immediately.



⚠ WARNING

Should a "FLASH-BACK" fire occur in/or around the burner tubes, follow the instructions below. Failure to comply with these instructions could result in a fire or explosion that could cause serious bodily injury, death, or property damage.

- Shut off gas supply to the gas grill.
- Turn the control knobs to OFF position.
- Put out any flame with a proper fire extinguisher.
- Open grill lid.
- Once the grill has cooled down, clean the burner tubes and burners according to the cleaning instructions found on page 11.

If Grill Still Fails To Light

1. Check gas supply and connections for leaks. Check that all wire connections are secure.

2. Repeat basic lighting procedure. If your grill still fails to operate, turn the gas off at source, turn the control knobs to OFF, then check the following:

- Misalignment of burner tubes over orifices

Correction: Reposition burner tubes over orifices.

- Plugged orifice

Correction: Remove burners from grill, carefully lift each burner up and away from gas valve orifice. Remove the orifice from gas valve and gently clear any obstruction with a fine wire. Then reinstall all orifices, burners, and cooking components.

3. If an obstruction is suspected in grill burner valves, please call for repair service at 1-800-913-8999.

4. If the grill still does not light you may need to purge air from the gas line or reset the pressure regulator excess gas flow device. **Note:** This procedure should be done every time a new LP gas tank is connected to your grill.

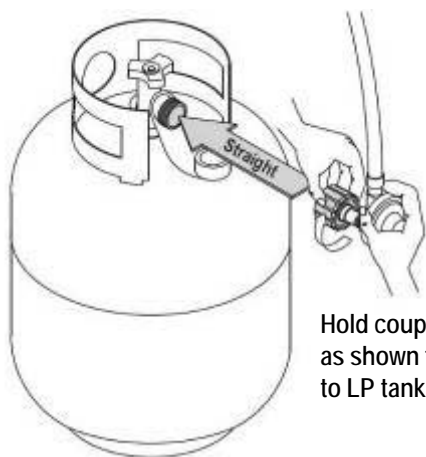
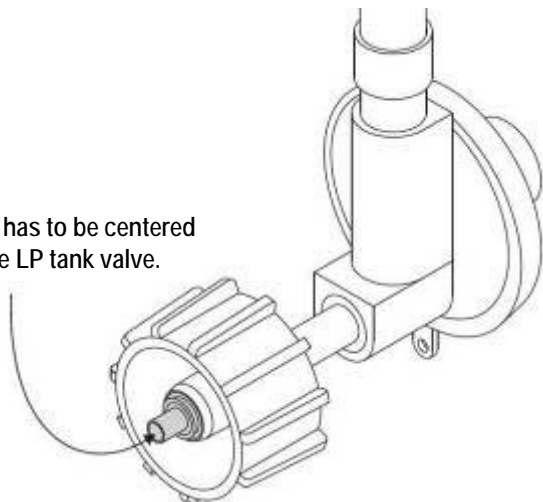
To purge air from your gas line and/or reset the pressure regulator excess gas flow device:

- Turn all control knobs to the OFF position.
- Turn off the gas at the tank valve.
- Disconnect pressure regulator from LP gas tank.
- Let unit stand for 5 minutes.
- Reconnect pressure regulator to the LP gas tank.
- Turn the tank valve on slowly until ¼ to ½ open.
- Open the grill lid.
- Push and turn any control knob to ⚡.
- Turn control knobs to ⚡ until all the burners are lit
- You may start to use the grill

5. If all checks or corrections have been made and you still have questions about operating your gas grill, call the **Grill Information Center at 1-800-913-8999**

5. Hold regulator and insert nipple into LP tank valve. Hand-tighten the coupling nut, holding regulator in a straight line with LP tank valve so as not to crossthread the connection.

Nipple has to be centered into the LP tank valve.



Hold coupling nut and regulator as shown for proper connection to LP tank valve.

6. Turn the coupling nut clockwise and tighten to a full stop. The regulator will seal on the back-check feature in the LP tank valve, resulting in some resistance. An additional one-half to three-quarters turn is required to complete the connection. Tighten by hand only – do not use tools.

NOTE:

If you cannot complete the connection, disconnect regulator and repeat steps 5 and 6. If you are still unable to complete the connection, do not use this regulator! Call 1-800-913-8999 for assistance.

Congratulations

Your Nexgrill gas grill is now ready for use. Before the first use and at the beginning of each season (and whenever the LP gas tank has been changed):

1. Read all safety, lighting and operating instructions.
2. Check gas valve orifices, burner tubes and burner ports for any obstructions.
3. Perform gas leak check according to instructions found on next page of the manual.

Important

Before cooking on your grill the first time, wash cooking grids and cooking rack with warm, soapy water. Rinse and dry thoroughly. Season with cooking oil regularly. After cooking is completed, turn grill to HIGH setting for 3 to 5 minutes to burn off excess grease or food residue.

DISCONNECTING THE LIQUID PROPANE CYLINDER

Turn the grill burner valves "OFF" and make sure the grill is cool.

Turn the Liquid Propane Cylinder valve "OFF" by turning clockwise until it stops.

Detach the pressure regulator assembly from the cylinder valve by turning the quick coupling nut counterclockwise.

Place dust cap on cylinder valve outlet whenever the cylinder is not in use. Only install the type of dust cap on the cylinder valve outlet that is provided with the cylinder valve. Other types of caps or plugs may result in leakage of propane.

Cooking Instructions



WARNING

Do not leave the grill unattended.

Your grill will get very hot. Never lean over the cooking area while using your grill. Do not touch cooking surfaces, grill housing, Grill Lid or any other grill parts while the grill is in operation, or until the grill has cooled down after use. Failure to comply with these instructions may result in serious bodily injury.

Burn-off

Before cooking on your gas grill for the first time, you will want to "burn off" the grill to eliminate any odor or foreign matter. Just ignite the burners, lower the Lid, and operate grill on the HIGH setting for 3 to 5 minutes.

Cooking Temperatures

High setting: Only use this setting for fast warm-up, searing steaks or chops and for burning food residue off the grill after cooking is complete. **Never** use the HIGH setting for extended cooking.

Medium to Low Settings: Most recipes specify medium to low settings, including all smoking, rotisserie cooking and for cooking lean cuts such as fish.

NOTE: Temperature settings will vary with the temperature and the amount of wind outside your home.

Direct Cooking

The direct cooking method can be used with the supplied cooking grids and food placed directly over the lit grill Burners. The method is ideal for searing and whenever you want meat, poultry or fish to have an open-flame barbecued taste. Deep frying and smoking are also best cooked in this manner because they require direct heat.



WARNING

Do not line the bottom of the grill housing with aluminum foil, sand or any substance that will restrict the flow of grease into the grease tray. Failure to comply with these instructions could result in a fire or explosion which could cause serious bodily injury, death, or property damage.

Indirect Cooking

To cook **indirectly**, the food should be placed on the left or right side of your grill with the burner lit on the opposite side.

Flare-ups

The fats and juices dripping from grilled food can cause flare-ups. Since flare-ups impart a favorably, distinctive taste and color to food cooked over an open flame, they should be accepted up to a point. Nevertheless, uncontrolled flaring can result in a ruined meal.

Grill Cooking Chart

WARNING: To ensure that it is safe to eat, food must be cooked to the minimum internal temperatures listed in the table below.

USDA* Safe Minimum Internal Temperatures	
Fish	145° F
Pork	160° F
Egg Dishes	160° F
Steaks and Roasts of Beef, Veal or Lamb	145° F
Ground Beef, Veal or Lamb	160° F
Whole Poultry (Turkey, Chicken, Duck, etc.)	165° F
Ground or Pieces Poultry (Chicken Breast, etc.)	165° F

* United States Department of Agriculture

FOOD	Weight or thickness	Temperature	Time	Special instructions and tips
Vegetables	NA	Medium	8 to 20 minutes	Slice or chop vegetables and dot with butter or margarine. Wrap tightly in heavy duty foil. Grill turning occasionally.
Potatoes	Whole	Medium	40 to 60 minutes	Wrap individually in heavy duty foil. Cook rotating occasionally.
Meat/Steaks	1/2 to 3/4 inches	High-Medium	4 to 15 minutes	Pre heat grill for 15-20 minutes then sear steaks on each side for two minutes. Next grill 3 to 5 minutes on each side or until desired doneness.
Ground Meats	1/2 to 3/4 inches	Medium	8 to 15 minutes	Grill turning once when juices rise to the surface or until desired amount of doneness. Do not leave hamburgers unattended since a flare-up could occur quickly.
Ribs	1/2 or full rack	Medium	20 to 40 minutes	Grill turning occasionally. During last few minutes brush with barbecue sauce, turn several times.
Hot dogs	NA	Medium	5 to 10 minutes	Grill turning four times. 2-4 minutes on each of four sides.
Poultry-Cut	1/4 to 1/2 pounds	Low or Medium	20 to 40 minutes	Grill turning occasionally. During last few minutes brush with barbecue sauce if desired, turn several times.
Poultry Whole	2 to 3 pounds	Low or	1 to 1-1/2 hours	Use poultry stand and brush frequently as desired
		Medium	40 to 60 minutes	Use poultry stand and brush frequently as desired
Fish	3/4 to 1 inch	Medium	8 to 15 minutes	Grill turning once to desired doneness. Brush with melted butter, margarine or oil.

Cleaning and Maintenance

To ensure a proper working unit the following proper care and maintenance is suggested. Caution: Regular cleaning of the bowl assembly is required to prevent grease build-up.

Cleaning Cooking Grids

We suggest you wash your cooking grids in a mild soap and warm water solution. You can use a wash cloth or soft brush to clean your cooking grids.

Cleaning Heat Diffusers

Periodically you should wash the heat diffusers in a soap and warm water solution. Use a soft brush to remove stubborn burnt-on cooking residue. The heat diffusers should be dry before you reinstall them.

Cleaning Grease Tray

The grease tray should be emptied and wiped down periodically and washed in a mild detergent and warm water solution. A small amount of sand or cat litter may be placed in bottom of grease tray to absorb the grease.

Check the grease tray frequently, don't allow excess grease to accumulate and overflow out of the grease tray.

Annual Cleaning of Grill Interior

Burning-off the grill after every use will keep it ready for your next use. However, once a year you should give the entire grill a thorough cleaning to keep it in top operating condition. Follow these steps.

1. Turn all burner valves to full OFF position.
2. Turn LP gas tank valve to full OFF position.
3. Detach LP gas hose and pressure regulator assembly from your gas grill. Inspect for any damage and replace as necessary with manufacturer replacement part number found on parts list.
4. Remove and clean heat diffusers, cooking grids and grill burners.
5. Cover each gas valve orifice with aluminum foil.
6. Brush inside and bottom of grill with a nylon brush, and wash with a mild soap and warm water solution. Rinse thoroughly and let dry.
7. Remove the aluminum foil, then reinstall heat diffusers, and cooking grids.
8. Reconnect gas source and observe burner flame for correct operation.

Cleaning Exterior Surface

We suggest you wash your grill using a mild soap and warm water solution. You can use a wash cloth or sponge for this process. Do not use abrasives or a brush that might remove finish during the cleaning process.

Cleaning Exterior Stainless Steel Surfaces

Weathering and extreme heat can cause exterior stainless steel surfaces to turn tan in color. Machine oils used in manufacturing process of stainless steel can also cause this tanning color. Use a stainless steel cleaner to polish stainless steel surfaces of your grill. Never use abrasive cleaners or scrubbers because they will scratch and damage your grill.

Cleaning Burner Tubes and Burner Ports

To reduce the chance of "FLASH-BACK" the procedure below should be followed at least once a month in late summer or early fall when spiders are most active or when your grill has not been used for a period of time.

1. Turn all burner valves and gas tank valve to off position.
2. Detach the LP gas pressure regulator assembly from your gas grill.
3. Remove cooking grids, heat diffusers, and grease tray from the grill.
4. Remove the R clip from the burner and lift the burners up and away from the gas valve orifice.
5. Using a bent stiff wire in the shape of a hook, air hose or a bottle brush, run it through the burner tube and inside several times to remove any debris.
6. Replace burners, see illustration below.

Step 1. Replace R clip.

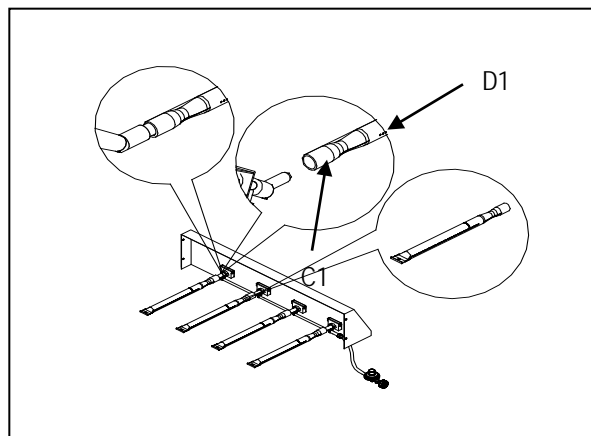
Step 2. Take off R clip which fixes burner at the end side.

Step 3. Locate the new burner onto the orifice.

(a) Insert the burner over the main burner gas valve .

(b) Make sure the orifice stud (C1) is inside the burner venture (D1) as shown in (Fig.23).

Step 4. Secure the main burner on the back wall use R clip, and fix on ignite wire.





WARNING

The location of the burner tube with respect to the orifice is vital for safe operation. Check to ensure the orifice is inside the burner tube before using the gas grill. If the burner tube does not fit over the valve orifice, lighting the burner may cause explosion and/or fire.

2. Clean any clogged ports with a stiff wire, such as an open paper clip.
3. Inspect each burner for damage (cracks or holes) and if such damage is found, order and install a new burner. After installation check to ensure that gas valve orifices are correctly placed inside the ends of the burner tubes.

Regardless of which burner cleaning procedure you use, we recommend you also complete the following steps to help prolong burner life.

1. Use a fiber pad or nylon brush to clean the entire outer surface of each burner until free of food residue and dirt.



WARNING

Spiders and insects can nest inside the burners of the grill and disrupt gas flow. This very dangerous condition could cause a fire behind the valve panel, thereby damaging the grill and making it unsafe for operation. Inspect the grill at least twice a year.

Troubleshooting

BEFORE CALLING FOR SERVICE

If the grill does not function properly, use the following check list before calling for service.

You should inspect the burners at least once a year or immediately after any of the following conditions occur:

PROBLEMS	WHAT TO DO
Grill won't light when the control knob is rotated.	<p>Check to see if LP tank is empty.</p> <p>Clean wires and/or electrode by rubbing with alcohol and clean swab.</p> <p>Wipe with dry cloth.</p> <p>Make sure the wire is connected to electrode assembly.</p> <p>Do other burners on the unit operate?</p> <p>Check to see if other burners operate. If so, check the gas orifice on the malfunctioning burner for an obstruction.</p>
Burner flame is yellow or orange, in combination with the odor of gas.	Refer to Clean Burner Tubes and Burner Ports on page 11. If problem still exists, call 1-800-913-8999.
Low heat with knob in "HI" position.	<p>Is the fuel hose bent or kinked?</p> <p>Is the grill in a dusty area?</p> <p>Is there adequate gas supply available?</p> <p>If it is only one burner that appears low, does the orifice or burner need cleaning?</p> <p>Is the gas supply or gas pressure low?</p>

MANUFACTURER/ FABRICANTE/ FABRICANTE:Nexgrill Industries, Inc.14050 Laurelwood Pl. Chino, CA 91710

LIMITED WARRANTY (Model # 720-0894F)

The manufacturer warrants to the original consumer-purchaser only that this product (*Model #720-0894F*) shall be free from defects in workmanship and materials after correct assembly and under normal and reasonable home use for the periods indicated below beginning on the date of purchase. The manufacturer reserves the right to require photographic evidence of damage, or that defective parts be returned, postage and/or freight pre-paid by the consumer, for review and examination. Nexgrill's obligation is limited to repair, replacement, or depreciated value, at the option of Nexgrill.

- **TUBE BURNERS:** 1 year *LIMITED* warranty against perforation.
- **COOKING GRIDS and FLAME TAMERS:** 1 year *LIMITED* warranty; *does not cover dropping, chipping, scratching, or surface damage.*
- **STAINLESS STEEL PARTS:** 1 year *LIMITED* warranty against perforation; *does not cover cosmetic issues like surface corrosion, scratches and rust.*
- **ALL OTHER PARTS:** 1 year *LIMITED* warranty (Includes, but not limited to, valves, frame, housing, cart, control panel, igniter, regulator, hoses)
**Does not cover chipping, scratching, cracking surface corrosion, scratches or rust.*

Upon consumer supplying proof of purchase as provided herein, Manufacturer will repair or replace the parts which are proven defective during the applicable warranty period. Parts required to complete such repair or replacement shall be free of charge to you except for shipping costs, as long as the purchaser is within the warranty period from the original date of purchase. The original consumer-purchaser will be responsible for all shipping charges of parts replaced under the terms of this limited warranty. This limited warranty is applicable in the United States and Canada only, is only available to the original owner of the product and is *not transferable*. Manufacturer requires reasonable proof of your date of purchase. Therefore, you should retain your sales receipt and/or invoice. If the unit was received as a gift, please ask the gift-giver to send in the receipt on your behalf, to the below address. Defective or missing parts subject to this limited warranty will not be replaced without registration or proof of purchase. This limited warranty applies to the functionality of the product **ONLY** and does not cover cosmetic issues such as scratches, dents, corruptions or discoloring by heat, abrasive and chemical cleaners or any tools used in the assembly or installation of the appliance, surface rust, or the discoloration of stainless steel surfaces. Surface rust, corrosion, or powder paint chipping on metal parts that does not affect the structural integrity of the product is not considered a defect in workmanship or material and is not covered by this warranty. This limited warranty will not reimburse you for the cost of any inconvenience, food, personal injury or property damage. If an original replacement part is not available, a comparable replacement part will be sent. You will be responsible for all shipping charges of parts replaced under the terms of this limited warranty.

MANUFACTURER WILL NOT PAY FOR:

- Service calls to your home.
- Repairs when your product is used for other than normal, single-family household or residential use.
- Damage resulting from accident, alteration, misuse, lack of maintenance/cleaning, abuse, fire, flood, acts of God, improper installation, and installation not in accordance with electrical or plumbing codes or misuse of product.
- Any food loss due to product failures.
- Replacement parts or repair labor costs for units operated outside the United States or Canada.
- Pickup and delivery of your product.
- Postage fees or photo processing fees for photos sent in as documentation.
- Repairs to parts or systems resulting from unauthorized modifications made to the product.
- The removal and/or reinstallation of your product.
- Shipping cost, standard or expedited, for warranty/non warranty and replacement parts.

DISCLAIMER OF IMPLIED WARRANTIES: LIMITATION OF REMEDIES

Repair or replacement of defective parts is your exclusive remedy under the terms of this limited warranty. Manufacturer will not be responsible for any consequential or incidental damages arising from the breach of either this limited warranty or any applicable implied warranty, or for failure or damage resulting from acts of God, improper care and maintenance, grease fire, accident, alteration, replacement of parts by anyone other than manufacturer, misuse, transportation, commercial use, abuse, hostile environments (inclement weather, acts of nature, animal tampering), improper installation or installation not in accordance with local codes or printed manufacturer instructions.

THIS LIMITED WARRANTY IS THE SOLE EXPRESS WARRANTY GIVEN BY THE MANUFACTURER. NO PRODUCT PERFORMANCE SPECIFICATION OR DESCRIPTION WHEREVER APPEARING IS WARRANTED BY MANUFACTURER EXCEPT TO THE EXTENT SET FORTH IN THIS LIMITED WARRANTY. ANY IMPLIED WARRANTY PROTECTION ARISING UNDER THE LAWS OF ANY STATE, INCLUDING IMPLIED WARRANTY OF MERCHANTABILITY OR FITNESS FOR A PARTICULAR PURPOSE OR USE, IS HEREBY LIMITED IN DURATION TO THE DURATION OF THIS LIMITED WARRANTY.

Neither dealers nor the retail establishment selling this product has any authority to make any additional warranties or to promise remedies in addition to or inconsistent with those stated above. Manufacturer's maximum liability, in any event, shall not exceed the documented purchase price of the product paid by the original consumer. This warranty only applies to units purchased from an authorized retailer and or re-seller. **NOTE:** Some states do not allow an exclusion or limitation of incidental or consequential damages, so some of the above limitations or exclusions may not apply to you; this limited warranty gives you specific legal rights as set for herein. You may also have other rights which vary from state to state.

If you wish to obtain performance of any obligation under this limited warranty, you should write to:

**Nexgrill Customer Relations
14050 Laurelwood PI
Chino, CA 91710**

All consumer returns, parts orders, general questions, and troubleshooting assistance can be acquired by calling U.S.A:1-800-913-8999



LP Gas Grill page 1-13
PARRILLA A GAS PROPANO pagina 14-26
GRIL AU GAZ DE PÉTROLE LIQUÉFIÉ page 27-42

MODEL / MODÈLE / MODELO # 720-0894F



⚠ ADVERTENCIA
 Para reducir el riesgo de incendio, el peligro de quemaduras u otras lesiones, lea atentamente y por completo el manual antes de utilizar su parrilla.

⚠ ADVERTENCIA
 PARA USO EN EXTERIORES SOLAMENTE.

⚠ ADVERTENCIA
 Esta parrilla no fue diseñada con la intención de ser instalada en vehículos recreacionales ni en botes.



19000584A1

Sólo a modo de ejemplo: SERIE N° _____ FECHA DE FAB _____ COMPRA : _____



¿Tiene preguntas, problemas o le faltan piezas? Antes de devolver el producto a la tienda minorista, llame a nuestro departamento de servicio al cliente al 1-800-913-8999 en Estados Unidos, de lunes a viernes de 8 a.m. a 5 p.m., hora del Pacífico

Índice

Precauciones de seguridad-----	16
Instrucciones de cocción-----	21
Tabla de cocción en la parrilla-----	22
Limpieza y mantenimiento -----	23
Localización y resolución de problemas -----	25
Garantía-----	26
Diagrama de piezas -----	39
Listado de piezas -----	41

Advertencias de la Proposición 65 del estado de California:

ADVERTENCIA: Para operar, este equipo requiere el uso de gas propano, que contiene la sustancia química benceno identificada por el estado de California como causante de cáncer u otro tipo de daño en la función reproductora.

ADVERTENCIA: Este producto contiene una o más sustancias químicas identificadas por el estado de California como causantes de cáncer.

ADVERTENCIA: Este producto contiene una o más sustancias químicas identificadas por el estado de California como causantes de defectos congénitos o algún otro tipo de daños en la función reproductora.

En el estado de Massachusetts se aplican las siguientes instrucciones de instalación:

■ Las instalaciones y reparaciones se deben efectuar por un contratista, plomero o gasista calificado o licenciado por el estado de Massachusetts.

■ Si se usa una válvula de bola, debe ser un tipo de manigueta T.

■ Si se usa un conector de gas flexible no debe exceder de 3 pies.

 **ADVERTENCIA**

En caso de que estas instrucciones no se cumplieran, ello podría dar como resultado un incendio o una explosión que podría causar lesiones corporales graves, la muerte o daños a la propiedad.

 **ADVERTENCIA**

Su parrilla llegará a tener una temperatura muy elevada. Nunca se incline sobre el área de cocción mientras use la parrilla. No toque las superficies de cocción, la carcasa de la parrilla, la tapa o cualquier otra pieza de la parrilla mientras esta esté operando o hasta que la parrilla de gas se haya enfriado luego de usarla. **El incumplimiento de estas instrucciones puede dar como resultado lesiones corporales graves.**

 **ADVERTENCIA**

1. **No almacene ni use gasolina u otros líquidos o vapores inflamables en las cercanías de este o cualquier otro dispositivo.**
2. **No se debe almacenar en las cercanías de este o cualquier otro dispositivo un cilindro de propano líquido (LP, por sus siglas en inglés) que no esté conectado para su uso.**

 **PELIGRO**

En caso de que usted huelga gas :

1. **Cierre el suministro de gas del dispositivo.**
2. **Apague cualquier tipo de llama abierta.**
3. **Abra la tapa.**
4. **Si el olor persiste, manténgase alejado del dispositivo y llame inmediatamente a su proveedor del servicio de gas o al departamento de bomberos.**

Un tanque de 12 pulgadas de diámetro por 18½ pulgadas de alto aproximadamente es el tamaño máximo del tanque de gas LP para usar en la parrilla.

Debe usar un tanque de gas OPD que brinda un Dispositivo de Prevención por Sobrecarga.

Esta función de seguridad evita que el tanque se sobrecargue lo que puede ocasionar un funcionamiento incorrecto del tanque de gas LP, del regulador y/o de la parrilla.

El tanque de gas LP debe estar construido y marcado de acuerdo con las especificaciones del Departamento de Transporte de Estados Unidos (DOT, por sus siglas en inglés). En Canadá, el tanque de gas LP debe cumplir con las Normas Nacionales de Canadá, norma CAN/CSA-B339, sobre cilindros, esperas y tubos de la Comisión y Transporte de Mercadería Peligrosa.

1. El tanque de gas LP debe tener una válvula de cierre que cancele la salida del suministro de gas LP de la válvula del tanque y que sea compatible con un dispositivo de conexión para tanque Tipo 1. El tanque de gas LP también debe contar con un dispositivo de escape de seguridad que tenga una conexión directa con el espacio de vapor del tanque.
2. El sistema de suministro del tanque debe estar adaptado para la salida de vapores.
3. El tanque de gas LP debe tener un collarín que proteja la válvula del tanque.

Colocación correcta y espacio libre de la parrilla

Nunca use la parrilla de gas en un garaje, entrada, cobertizo, corredor o cualquier otro lugar cerrado. La parrilla de gas debe utilizarse **sólo al aire libre**, al menos 36 pulgadas desde la parte de atrás y del costado de cualquier superficie combustible. La parrilla de gas no debe utilizarse en una construcción combustible elevada.

Códigos de instalación de la parrilla

La instalación debe cumplir con los códigos locales o, en ausencia de ellos, con todo código de gas combustible a nivel nacional, norma ANSI Z 223.1/NFPA 54, el código de instalación para gas propano y gas natural, norma CSA B149.1 o el código de manipulación y almacenamiento de propano, norma B149.2, o las normas para vehículos recreativos, norma ANSI A 119.2, y el código de vehículos recreativos serie CSA Z240 RV, según corresponda.

Los modelos de parrilla de gas LP están diseñados para que se usen con un tanque de gas propano líquido de 20 lb, que no está incluido con la parrilla. Nunca conecte su parrilla de gas a un tanque de gas LP que supere esta capacidad.

- No obstruya el flujo de aire de la ventilación que se encuentra en la carcasa de la parrilla de gas.
- No instale esta parrilla de gas para exteriores en o sobre vehículos recreativos o botes
- Mantenga despejada y sin materiales combustibles, gasolina y demás vapores y líquidos inflamables el área donde se encuentra la parrilla de gas para exteriores
- No obstruya el flujo de combustión y del aire de la ventilación. Controle esto con anterioridad cada vez que use la parrilla.
- **Nunca** conecte un tanque de gas LP sin regular a la parrilla de gas. El ensamble del regulador de gas que viene con su parrilla de gas está adaptado para que tenga una presión de salida de una columna de agua (W.C.) de 11" para la conexión a un tanque de gas LP.
- Sólo use el ensamble del regulador y la manguera que viene con su parrilla de gas. Los ensambles de los reguladores y de la manguera de reemplazo deben ser los que se especifican en este manual.
- Haga llenar su tanque de gas LP por un distribuidor de gas propano de confianza, haga que le practiquen una inspección ocular y lo dejen en condiciones cada vez que llene el tanque.
- No guarde un tanque de gas LP de repuesto debajo de o cerca de este dispositivo.
- Nunca llene el tanque superando el 80 por ciento de la capacidad. Si esta instrucción no se cumpliera con exactitud, es posible que se produzca un incendio que ocasione la muerte o lesiones graves.
- Siempre mantenga los tanques de gas LP en una posición vertical.
- No almacene o use gasolina u otros vapores o líquidos inflamables en las cercanías de esta parrilla de gas.
- No someta el tanque de gas LP a un calor excesivo.
- Nunca almacene en un ambiente cerrado un tanque de gas LP. Si usted guarda su parrilla de gas en el garaje o en otro lugar cerrado, **siempre** desconecte el tanque de gas LP en primer término y guárdelo afuera en un lugar seguro.



Conserve siempre el cilindro de propano líquido a 90° (vertical) para proporcionar la eliminación del vapor

- Coloque la tapa anti-polvo sobre la salida de la válvula del cilindro siempre que el mismo no esté en uso. Instale sólo el tipo de tapa anti-polvo sobre la salida de la válvula del cilindro que viene con la mencionada válvula. Otros tipos de tapas o tapones pueden causar fugas de propano.

- Los tanques de gas LP deben guardarse en exteriores, en áreas bien ventiladas y fuera del alcance de los niños. No deben guardarse los tanques de gas LP desconectados en viviendas, garajes o en cualquier otro tipo de lugar cerrado.
- Cuando su parrilla de gas no esté en uso, se debe cerrar el paso de gas en el tanque de gas LP.
- El ensamble del regulador y la manguera deben inspeccionarse con anterioridad cada vez que se use la parrilla. En caso de que exista abrasión o desgaste excesivo o si la manguera está cortada, se debe reemplazar antes de que se utilice la parrilla nuevamente.
- Mantenga la manguera del regulador de gas alejada de superficies calientes de la parrilla y que recolecten grasa. Evite la torsión innecesaria de la manguera. Haga una inspección visual de la manguera con anterioridad cada vez que use la parrilla para detectar cortes, rajaduras, desgaste excesivo u otros daños. Si la manguera pareciera estar dañada, no use la parrilla de gas. Llame al 1-800-913-8999 para solicitar una manguera de reemplazo.
- **Nunca** encienda su parrilla de gas con la tapa cerrada o antes de controlar a fin de asegurarse si los tubos de los mecheros están colocados por completo en los orificios de las válvulas de gas.
- **Nunca** permita que los niños operen la parrilla.

ADVERTENCIA

Un fuerte olor a gas o un sonido siseante del gas indica un problema grave respecto de la parrilla de gas o el tanque de gas LP. En caso de que las siguientes instrucciones no se cumplieran, ello podría dar como resultado un incendio o una explosión que podría causar lesiones corporales graves, la muerte o daños a la propiedad.

- Cierre el suministro de gas de la parrilla.
- Gire las perillas de control a la posición de apagado (OFF).
- Apague cualquier tipo de llama con un extintor de incendios adecuado.
- Abra la tapa de la parrilla.
- Aléjese del tanque de gas LP.
- No intente solucionar el problema usted mismo.
- Si el olor persiste o tiene un incendio que no puede apagar, llame al departamento de bomberos de su área. No llame cerca del tanque de gas LP ya que el teléfono es una forma de dispositivo eléctrico y podría generar chispas que den como resultado un incendio y/o una explosión.

NOTA: El flujo normal de gas que va por el ensamble del regulador y la manguera puede causar un zumbido. Un volumen bajo de ruido es perfectamente normal y no interferirá con la operación de la parrilla. Si el zumbido es fuerte y excesivo, es posible que deba purgar el aire de la línea de gas o reajustar el dispositivo de flujo de gas en exceso del regulador. Este procedimiento de purga debe hacerse cada vez que se conecte un nuevo tanque de gas LP a la parrilla. Para obtener asistencia con este procedimiento, consulte la página 24, del título "En caso de que aún no se encienda la parrilla" o llame al Centro de Información sobre Parrillas al 1-800-913-8999.

PRECAUCIÓN: Tenga cuidado con los fognazos

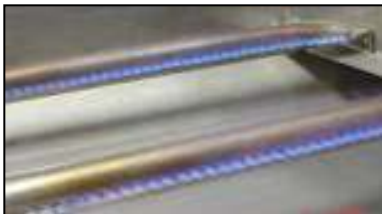
PRECAUCIÓN: Las arañas y los insectos pequeños pueden ocasionalmente tejer telillas o hacer nidos en los tubos de los mecheros de la parrilla durante el transporte o mientras están en el depósito. Estas telillas pueden causar obstrucciones en el flujo de gas que podrían hacer que se quemen los tubos de los mecheros y áreas circundantes. Este tipo de evento se lo conoce como "FOGONAZO" y puede causar graves daños a la parrilla y generar condiciones de operación riesgosas para el usuario.

Aunque el tubo de un mechero obstruido no es la única causa para que se genere un "FOGONAZO", es la más común.

A fin de minimizar las probabilidades de que ello ocurra, usted debe limpiar los tubos de los mecheros antes de armar la parrilla y luego por lo menos una vez al mes hacia el final del verano o a principios del otoño que es cuando las arañas tienen mayor actividad. Asimismo realice este procedimiento de limpieza si usted no ha usado la parrilla durante un tiempo prolongado.

Consulte la sección Limpieza de Tubos y Puertos de los Mecheros en la página 24

Control de las llamas de los mecheros



Controle en forma visual las llamas de los mecheros antes de cada uso. Las llamas debe tener el aspecto que se observa en la imagen. En caso contrario, consulte la sección sobre limpieza de los tubos y puertos de los mecheros en la página 24 de este manual.

Verificación para detectar fugas de gas LP

Nunca haga pruebas para detectar fugas con una llama. Antes de usarla por primera vez, al comienzo de cada estación o cada vez que se cambie el tanque de gas LP, debe verificar el dispositivo para detectar fugas de gas.

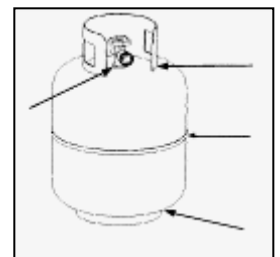
1. Haga una solución de jabón suave en partes iguales (50% agua/ 50% jabón).
2. Gire las perillas de control a la posición de apagado (OFF); luego abra el paso de gas (ON) en el tanque de suministro.
3. Aplique la solución jabonosa con un cepillo limpio en todas las conexiones de gas. Observe a continuación. Si aparecen formaciones de burbujas en la solución, las conexiones no están selladas apropiadamente. Verifique cada conexión y ajústelas o repárelas según sea necesario.

Verificación para la detección de fugas en la conexión de gas



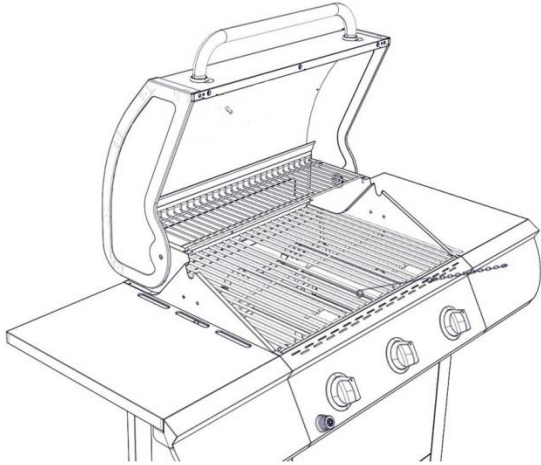
4. Si tiene una fuga en la conexión de gas que no pueda reparar, cierre el paso de gas (OFF) en el tanque de suministro, desconecte la línea de combustible de la parrilla y llame al 1-800-913-8999 o a su proveedor de servicios de gas para que lo asista en la reparación.
5. Asimismo, aplique la solución jabonosa en las juntas del tanque. Observe a continuación. Si aparecen formaciones de burbujas, cierre el tanque (OFF) y no lo use ni lo mueva. Contacte al proveedor especialista en gas LP o al departamento de bomberos de su localidad para obtener asistencia.

Verificación para la detección de fugas en el tanque de gas



Encendido manual de la parrilla con un cerillo

1. Coloque un cerillo en la varilla de encendido manual.
2. Siga los pasos 1 a 5 del Procedimiento de Encendido Básico.
3. Encienda el cerillo y extienda la varilla de encendido hasta la superficie de la rejilla de cocción.
4. Gire la perilla de control que desee hasta la posición de máximo para liberar la salida del gas. El mechero debe encenderse de inmediato. ⚡



ADVERTENCIA

En caso de que ocurriera un "FOGONAZO" en o cerca de los tubos de los mecheros, siga las siguientes instrucciones. En caso de que estas instrucciones no se cumplieran, ello podría dar como resultado un incendio o una explosión que podría causar lesiones corporales graves, la muerte o daños a la propiedad.

- Cierre el suministro de gas de la parrilla.
- Gire las perillas de control a la posición de apagado (OFF).
- Apague cualquier tipo de llama con un extintor de incendios adecuado.
- Abra la tapa de la parrilla.
- Cuando la parrilla se haya enfriado, limpie los tubos del mechero y los mecheros según las instrucciones de limpieza que están en la página 24.

Si no se puede encender la parrilla

1. Verifique el suministro y las conexiones de gas para detectar fugas. Verifique que la totalidad de las conexiones de cables sean seguras.

2. Repita el procedimiento de encendido básico. Si todavía la parrilla no funciona, apague la fuente de gas, gire las perillas de control a la posición de apagado (OFF), y verifique lo siguiente:

- Alineación errónea de los tubos de los mecheros sobre los orificios
Corrección: vuelva a posicionar los tubos de los mecheros sobre los orificios.

- Orificio tapado

Corrección: quite los mecheros de la parrilla, con cuidado levante cada uno de los mecheros y aléjelos del orificio de la válvula de gas. Quite el orificio de la válvula de gas y con gentileza destape cualquier obstrucción con un alambre delgado. Luego vuelva a instalar todos los orificios, mecheros y componentes de cocción.

3. Si sospecha de que existe una obstrucción en las válvulas de los mecheros de la parrilla, llame para solicitar un servicio de reparación al 1-800-913-8999.

4. Si todavía la parrilla no enciende, es posible que deba purgar el aire de la línea de gas o reajustar el dispositivo de flujo de gas en exceso del regulador. **Nota:** Este procedimiento debe hacerse cada vez que se conecte un nuevo tanque de gas LP a la parrilla.

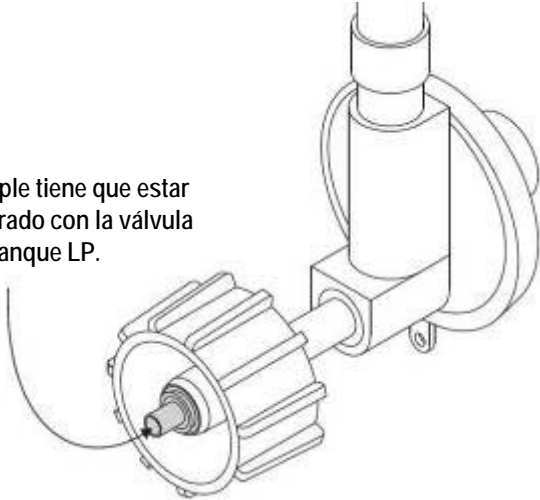
Para purgar el aire de la línea de gas y/o reajustar el dispositivo de flujo de gas en exceso del regulador:

- Gire todas las perillas de control a la posición de apagado (OFF).
- Cierre el paso del gas de la válvula del tanque.
- Desconecte el regulador del tanque de gas LP.
- Deje a la unidad reposar durante 5 minutos.
- Vuelva a conectar el regulador al tanque de gas LP.
- Abra la válvula del tanque lentamente hasta que esté abierta en un nivel de 1/4 a 1/2.
- Abra la tapa de la parrilla.
- Presione y gire cualquiera de las perillas de control a la posición de máximo (HIGH).
- Gire las perillas de control a la posición de máximo (HIGH) hasta que todos los mecheros estén encendidos.
- Puede comenzar a usar la parrilla

5. Si se han realizado todas las operaciones de verificación y corrección y aún tiene consultas sobre la operación de su parrilla de gas, llame al Centro de Información sobre Parrillas al 1-800-913-8999.

5. Sostenga el regulador e inserte el empalme en la válvula del tanque LP. Apriete con la mano la tuerca del acoplador, sosteniendo el regular verticalmente con respecto del tanque para que no se trasosque la conexión.

El niple tiene que estar centrado con la válvula del tanque LP.



Sostenga la tuerca del acoplador y el regulador como se muestra para conectarlos debidamente con la válvula del tanque.

6. Gire la tuerca del acoplador en el sentido del reloj y apriete hasta que tope por completo. El regulador sella la función de cierre lento de la válvula del tanque LP, lo que produce cierta resistencia. Se requiere un giro adicional de media vuelta o tres cuartos de vuelta para realizar la conexión. Aprieta exclusivamente a mano; no use herramientas.

NOTA:

Si no puede llevar a cabo la conexión, desconecte el regulador y repita los pasos 5 y 6. Si aun así no puede realizarla, no use este regulador. Llame 1-800-913-8999 para pedir ayuda.

Felicitaciones

Su parrilla de gas Nexgrill ya está lista para usarse. Antes de usarla por primera vez y al principio de cada estación (y siempre que se haya cambiado el tanque de gas LP):

1. Lea todas las instrucciones relativas a la seguridad, el encendido y la operación del dispositivo.
2. Verifique los orificios de la válvula de gas, los tubos de los mecheros y los puertos de los mecheros para detectar todo tipo de obstrucciones.
3. Realice un control para detectar fugas de gas de acuerdo con las instrucciones que se encuentran en la siguiente página de este manual.

Importante

Antes de cocinar en su parrilla por primera vez, lave las rejillas y plataformas de cocción con agua caliente y jabonosa. Enjuáguelas y séquelas minuciosamente. Colóqueles aceite para cocinar en forma regular. Luego de que la cocción se termine, ponga la parrilla en la posición de máximo (HIGH) durante 3 a 5 minutos para quemar el exceso de grasa o los residuos de comida.

DESCONEXIÓN DEL CILINDRO DE PROPANO LÍQUIDO

Gire las válvulas del mechero de la parrilla a la posición de apagado (OFF) y asegúrese de que la parrilla esté fría. Gire la válvula del cilindro de propano líquido a la posición de apagado (OFF) girando las mismas en sentido de las agujas del reloj hasta que haga tope.

Desprenda el ensamble del regulador de presión de la válvula del cilindro girando la arandela de acoplamiento rápido en sentido contrario de las agujas del reloj.

Coloque la tapa para polvo sobre la salida de la válvula del cilindro cuando el cilindro no se use. Instale sólo el tipo de tapa para polvo en la salida de la válvula del cilindro que viene con dicha válvula. Otros tipos de tapas o tapones pueden dar como resultado fugas de propano.

Instrucciones de cocción



ADVERTENCIA

No deje la parrilla sin prestarle atención. Su parrilla llegará a tener una temperatura muy elevada. Nunca se incline sobre el área de cocción mientras use la parrilla. No toque las superficies de cocción ni la carcasa de la parrilla. Tampoco toque la tapa de la parrilla ni otras partes de la misma mientras la parrilla esté en funcionamiento o hasta que la parrilla se haya enfriado luego de su uso. El incumplimiento de estas instrucciones puede dar como resultado lesiones corporales graves.



ADVERTENCIA

No cubra la parte posterior de la carcasa de la parrilla con láminas de aluminio, arena o cualquier otra sustancia que limite el paso del flujo de grasa hacia la bandeja para grasa.

En caso de que estas instrucciones no se cumplieran, ello podría dar como resultado un incendio o una explosión que podría causar lesiones corporales graves, la muerte o daños a la propiedad.

Incineración

Antes de cocinar en su parrilla de gas por primera vez, usted deberá "incinerarla" para eliminar cualquier tipo de olor o material extraño. Encienda los mecheros, baje la tapa y ponga en funcionamiento la parrilla en una posición de máximo (HIGH) durante 3 a 5 minutos.

Temperaturas de cocción

Posición máxima: Use esta posición únicamente para calentar rápidamente, marcar los filetes o chuletas y para incinerar residuos de la parrilla luego de terminar de cocinar. **Nunca** use la posición máxima (HIGH) para cocciones prolongadas.

Posiciones media y baja: La mayoría de las recetas especifican uso de llama media a baja, incluso para ahumar, asar y cocinar cortes magro como el pescado.

NOTA: Las posiciones de la temperatura variarán con la temperatura y el nivel de viento que haya en el exterior de su casa.

Cocción directa

El método de cocción directa puede utilizarse con las rejillas de cocción que acompañan el producto y los alimentos se colocan directamente sobre los mecheros de la parrilla encendidos. Este método es ideal para marcar los alimentos y siempre que desee comer carne vacuna, pollo o pescado que tenga un sabor a asado hecho con llama abierta. El freído en profundidad y el proceso de ahumado se preparan mejor de esta manera porque necesitan calor directo.

Cocción indirecta

Para cocinar de forma **indirecta**, los alimentos deben colocarse en el lateral derecho o izquierdo de la parrilla con el mechero del lado opuesto encendido.

Llamarada

Las grasas y los jugos que caen de la comida asada pueden causar llamaradas. Dado que las llamaradas imparten un sabor y color favorablemente distintivo a la comida que se cocina con llama abierta, deben tolerarse hasta cierto punto. No obstante, las llamaradas sin controlar pueden dar como resultado en que la comida se eche a perder.

Tabla de cocción en la parrilla

ADVERTENCIA: Para asegurarse de que lo que se prepara para comer no conlleve riesgos, los alimentos deben cocinarse a un mínimo de temperatura interna que se detalla en la tabla siguiente.

Temperaturas seguras mínimas de cocción interna de la USDA*

Pescado	62,78° C/145° F
Cerdo	71,11° C/160° F
Platos con huevos	71,11° C/160° F
Filetes y asados de carne vacuna, de ternera o de cordero	62,78° C/145° F
Carne vacuna, de ternera o de cordero picada	71,11° C/160° F
Aves enteras (pavo, pollo, pato, etc.)	73,89° C/165° F
Carne de ave picada o partes de aves (pechuga de pollo, etc.)	73,89° C/165° F

*Departamento de Agricultura de Estados Unidos

Alimento	Peso o espesor	Temperatura	Tiempo	Instrucciones especiales y sugerencias
Vegetales	N/A	Media	De 8 a 20 minutos	Corte en rodajas o pique los vegetales y salpique con mantequilla o margarina Envuelva con firmeza una lámina resistente Cocínelos en la parrilla dándolos vuelta en forma ocasional.
Patatas	Enteras	Media	De 40 a 60 minutos	Envuelva cada patata con firmeza una lámina resistente Cocínelas rotándolas en forma ocasional.
Carnes/filetes	½ a ¾ pulgadas	Máxima - media	De 4 a 15 minutos	Caliente la parrilla previamente durante 15-20 minutos, luego marque los filetes de cada lado durante 2 minutos. Áselos de 3 a 5 minutos de cada lado o hasta el punto de cocción deseado.
Carnes picadas	½ a ¾ pulgadas	Media	De 8 a 15 minutos	Áselas dándolas vuelta cuando aparezcan los jugos en la superficie o hasta que el punto deseado de cocción. No deje de prestarles atención a las hamburguesas dado que podría ocasionarse una llamarada rápidamente.
Costillas	½ estante o todo el estante	Media	De 20 a 40 minutos	Cocínelos en la parrilla dándolos vuelta en forma ocasional. Durante los últimos minutos agregue salsa para asado. Deles vuelta varias veces.
Salchichas	N/A	Media	De 5 a 10 minutos	Áselas dándolas vuelta cuatro veces. Hágalo de 2-4 minutos de cada uno de los cuatro lados.
Cortes de aves	¼ a ½ libras	Baja o media	De 20 a 40 minutos	Cocínelos en la parrilla dándolos vuelta en forma ocasional. Durante los últimos minutos agregue salsa para asado si lo desea y deles vuelta varias veces.
Aves enteras	2 a 3 libras	Baja o	De 1 a 1 ½ horas	Use bases para aves y coloque salsa con la frecuencia deseada
		Media	De 40 a 60 minutos	Use bases para aves y coloque salsa con la frecuencia deseada
Pescado	¾ a 1 pulgada	Media	De 8 a 15 minutos	Áselo dándolo vuelta una vez hasta el punto de cocción deseado. Coloque una mezcla de mantequilla, de margarina o de aceite.

Para asegurarse de que la unidad funcione correctamente, se sugiere que se lleven a cabo las siguientes pautas de cuidado y mantenimiento apropiado.

Mise en garde: Pour empêcher toute accumulation de graisse, nettoyer la cuvette.

Limpeza de las rejillas de cocción

Sugerimos que lave las rejillas de cocción con una solución hecha con jabón suave y agua tibia. Puede usar un paño de limpeza o un cepillo suave para limpiar las rejillas de cocción.

Limpeza de los difusores de calor

En forma periódica, debe lavar los difusores de calor con una solución hecha con jabón y agua tibia. Use un cepillo suave para sacar los residuos de cocción quemados rebeldes. Se deben secar los difusores de calor antes de que los vuelva a instalar.

Limpeza de la bandeja para grasa

La bandeja para grasa debe vaciarse, secarse en forma periódica y lavarse con una solución hecha con detergente suave y agua tibia. Se puede colocar una pequeña cantidad de arena o piedritas para gatos en la parte inferior de la bandeja para grasa a fin de que la absorba.

Verifique con frecuencia la bandeja para grasa, no permita que se acumule exceso de grasa y que haya desbordes en dicha bandeja.

Limpeza anual del interior de la parrilla

Incinerar la parrilla luego de cada uso la mantendrá lista para la próxima vez que la use. Sin embargo, usted debe una vez al año limpiar la parrilla a fondo para mantenerla en excelentes condiciones de funcionamiento. Siga estos pasos

1. Gire todas las válvulas de los mecheros a una total posición de apagado (OFF).
2. Gire la válvula del tanque de gas a una total posición de apagado (OFF).
3. Desprenda el ensamble de la manguera de gas LP y del regulador de la parrilla de gas. Haga una inspección para detectar cualquier tipo de daño y reemplace piezas según sea necesario según el número de pieza de reemplazo del fabricante que se encuentra en el listado de piezas
4. Quite y limpie los difusores de calor, las rejillas de cocción y los mecheros de la parrilla.
5. Cubra cada uno de los orificios de las válvulas de gas con lámina de aluminio.

6. Limpe con un cepillo de nylon el interior y la parte posterior de la parrilla y lávelos con una solución hecha con jabón suave y agua tibia.

Enjuáguelas minuciosamente y déjelas secar.

7. Quite las láminas de aluminio, vuelva a instalar los difusores de calor y las rejillas de cocción.

8. Vuelva a conectar la fuente de gas y observe la llama del mechero para ver si funciona correctamente.

Limpeza de las superficies externas

Sugerimos que lave la parrilla con una solución hecha con jabón suave y agua tibia. Puede usar para este procedimiento un paño de limpeza o una esponja. No use productos abrasivos o un cepillo que pueda levantar el acabado durante el proceso de limpeza.

Limpeza de las superficies externas de acero inoxidable

Las inclemencias del clima y el calor intenso pueden provocar que las superficies de acero inoxidable se pongan de un color canela. El aceite de máquina que se usa en el proceso de fabricación también puede causar este color canela. Utilice un limpiador para acero inoxidable para pulir las superficies de este material de su parrilla. Nunca utilice limpiadores abrasivos o estropajos porque rayarán y dañarán la parrilla.

Limpeza de los tubos y los puertos de los mecheros

Para reducir la posibilidad de "FOGONAZO", se debe cumplimentar el siguiente procedimiento por lo menos una vez al mes hacia fines del verano o a principios del otoño cuando las arañas tienen mayor actividad o cuando no haya utilizado la parrilla por un periodo prolongado.

1. Gire todas las válvulas de los mecheros y la válvula del tanque de gas a una posición de apagado.
2. Desprenda el ensamble del regulador de gas LP de la parrilla de gas.
3. Quite las rejillas de cocción, los difusores de calor y la bandeja para grasa de la parrilla.
4. Quite el broche R del mechero, levante y aleje los mecheros del orificio de la válvula de gas.
5. Con un alambre curvo resistente en forma de anzuelo, una manguera de aire comprimido o un cepillo cilíndrico, limpie por el tubo del mechero y en el interior del mismo varias veces para sacar todo tipo de residuo.
6. Vuelva a colocar los mecheros, observe la siguiente ilustración.

Paso 1. Reemplazar clip de R.

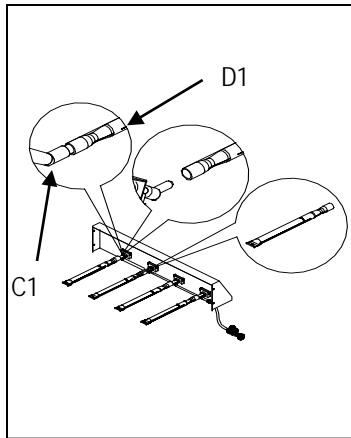
Paso 2. Quite el clip R que fija el mechero en el lateral del extremo.

Paso 3. Ubique el nuevo mechero en el orificio.

(a) insertar el quemador sobre la válvula principal de gas del quemador.

(b) Asegúrese de que el perno del orificio (C1) está dentro de la empresa grabadora (D1) como se muestra en(Fig.21).

Paso 4. Asegure el mechero principal en la pared trasera usando el clip R y asegure el cable de encendido.



ADVERTENCIA

La ubicación del tubo del mechero con respecto al orificio es fundamental para un funcionamiento sin riesgos. Verifique para asegurarse de que el orificio se encuentra adentro del tubo del mechero antes de usar la parrilla de gas. Si el tubo del mechero no encaja sobre el orificio de la válvula, al encenderse el mechero se puede provocar una explosión y/o incendio.

Independientemente de qué procedimiento de limpieza emplee, le recomendamos también realizar los siguientes pasos para ayudar a prolongar la utilidad del mechero.

1. Use una almohadilla de fibra o un cepillo de nylon para limpiar toda la superficie externa de cada uno de los mecheros hasta que no tengan residuos de comida ni suciedad.

2. Limpie los puertos obstruidos con un alambre resistente, como un clip para papel abierto.

3. Haga una inspección de cada mechero para detectar daños (rajaduras u hoyos) y en caso de que encuentre tal daño, solicite e instale un nuevo mechero. Luego de la instalación, verifique con el fin de asegurarse que los orificios de la válvula de gas se encuentran correctamente colocados en los extremos de los tubos de gas.



ADVERTENCIA

Los insectos y las arañas pueden hacer nidos dentro de los mecheros de la parrilla e interrumpir el flujo de gas. Esta situación extremadamente peligrosa podría causar que se prenda fuego detrás del panel de la válvula, por lo que dañaría la parrilla y haría insegura su operación. Inspeccione la parrilla al menos dos veces por año.

Localización y resolución de problemas

ANTES DE LLAMAR AL SERVICIO

Si la parrilla no funciona adecuadamente, emplee la siguiente lista de verificación antes de llamar para solicitar servicios.

Debe inspeccionar los mecheros una vez al año o inmediatamente después de que ocurra cualquiera de las siguientes situaciones :

PROBLEMAS	QUÉ HACER
La parrilla no enciende cuando se gira la perilla de control	Verifique si el tanque LP está vacío. Limpie los cables y/o electrodos frotándolos con alcohol y un hisopo limpio. Limpie con un paño seco. Asegúrese de que el cable está conectado al ensamble del electrodo. ¿Los otros mecheros de la unidad funcionan? Verifique si los otros mecheros funcionan. De ser así, verifique si el orificio de gas del mechero que funciona mal tiene una obstrucción.
La llama del mechero es amarilla o naranja y también hay olor a gas.	Consulte la sección Limpieza de los tubos y los puertos del mechero de la página 23. Si el problema persiste, llame al 1-800-913-8999.
El nivel de calor en la posición máxima (HI) es bajo.	¿La manguera de combustible está doblada o enrollada? ¿La parrilla está en una zona polvorienta? ¿Existe un suministro de gas adecuado disponible? Si sólo un mechero es el que tiene un nivel bajo, ¿el orificio o el mechero necesitan una limpieza? ¿El suministro o la presión de gas tienen un nivel bajo?

Nexgrill garantiza al consumidor/comprador original sólo que este producto (*Modelo N° 720-0894F* no debe tener defectos de fábrica ni de materiales luego de su correcto armado y bajo un uso doméstico normal y razonable durante el período indicado a continuación y a partir de la fecha de compra. El fabricante se reserva el derecho a solicitar pruebas fotográficas del daño, o la devolución de las partes defectuosas, para llevar a cabo una revisión y examen. El consumidor deberá enfrentar los gastos de envío y/o flete. La obligación del Nexgrill se limita a la reparación, reemplazo o valor depreciado, a opción de Nexgrill.

Mecheros: 1 año de garantía LIMITADA contra perforación
Rejillas, superficie de la parrilla y encendido electrónico: 1 años de garantía LIMITADA
* No cubre caídas, raspados, ralladuras o daño en la superficie
Partes de acero inoxidable: 1 años de garantía LIMITADA contra perforación
* No cubre cuestiones estéticas tales como corrosión, rayones u óxido en la superficie
Todas las demás partes: 1 años de garantía LIMITADA
* No cubre raspados, rayones, corrosión en la superficie agrietada, rayas u óxido

Luego de que el cliente presente pruebas de la compra, tal como se lo establece en la presente, el Fabricante reparará o reemplazará las partes que presenten defectos durante el período de garantía aplicable. No debe cobrarse al cliente por las partes solicitadas para realizar la reparación o el cambio excepto los gastos de envío en tanto el comprador se encuentre dentro del período de garantía a partir de la fecha original de compra. El consumidor/comprador original se hará cargo de todos los gastos de envío de las partes reemplazadas según los términos de la presente garantía limitada. La presente garantía limitada sólo es aplicable dentro de los Estados Unidos de América, sólo está disponible para el dueño original del producto y *no es transferible*. El fabricante solicitará prueba razonable de su fecha de compra. Por lo tanto, debe conservar su recibo de compra y/o factura. En caso de que le hayan regalado esta unidad, solicítele a quien se la regaló que envíe la factura por usted a la dirección que aparece a continuación. Las partes defectuosas o faltantes a esta garantía limitada no serán reemplazadas sin la debida inscripción o prueba de compra. Esta garantía limitada sólo es aplicable al funcionamiento del producto y no cubre cuestiones estéticas tales como rayones, bollos, corrosión o decoloración por calor, limpiadores abrasivos y químicos o cualquier otra herramienta utilizada para armar o instalar la unidad, óxido en la superficie, o decoloración en las superficies de acero inoxidable. El óxido en la superficie, la corrosión, o el raspado de la pintura sobre las partes de metal no afectan la integridad de la estructura de este producto y por lo tanto, no se consideran como defectos de fábrica o de materiales y no están cubiertos por esta garantía. Esta garantía limitada no le reembolsará los costos de ningún inconveniente, alimento, lesión personal o daño a la propiedad. En caso de no estar disponible un repuesto original, se le enviará uno similar. Usted será responsable de todos los gastos de envío de las partes reemplazadas según los términos de la presente garantía limitada.

ARTÍCULOS POR LOS CUALES NO PAGARÁ EL FABRICANTE:

Llamadas de servicio a su hogar
Reparaciones cuando utilice el producto con otra finalidad que no sea el uso normal en casas de familia o residencias.
Daños que resulten de accidentes, alteraciones, mal uso, falta de mantenimiento / limpieza, abuso, incendio, inundaciones, casos fortuitos, instalación incorrecta, e instalación que no cumple con los códigos de electricidad o plomería o el uso de productos no autorizados por el fabricante.
Cualquier pérdida de alimentos ocasionada por fallas en los productos.
Repuestos o costos de reparación de unidades que se utilizan fuera de los Estados Unidos de América o de Canadá.
Recogido y entrega del producto.
Facturas de envío o facturas de revelado de fotos por las fotos que se enviaron como prueba.
Reparaciones de partes o sistemas que surjan como consecuencia de la realización de modificaciones no autorizadas al producto.
Extracción y/o reinstalación del producto.
Costo de envío, estándar o urgente, de la garantía/no-garantía y repuestos.

RENUNCIA A LAS GARANTÍAS IMPLÍCITAS: LIMITACIÓN DE ACCIONES Y RECURSOS LEGALES

La reparación o el cambio de partes defectuosas es la única acción legal que puede ejercer según los términos de la presente garantía limitada. El Fabricante no se responsabilizará de ningún daño consecuente o incidental que surja del incumplimiento ya sea de esta garantía limitada o de cualquier garantía aplicable implícita, o de ninguna falla o daño que surjan como consecuencia de hechos fortuitos, cuidado y mantenimiento indebidos, incendio provocado por grasa, accidente, alteración, cambio de partes que realice otra persona que no sea el Fabricante, mal uso, transporte, uso comercial, abuso, ambientes hostiles (clima inclemente, actos de la naturaleza, manipulación de animales), instalación indebida o instalación que no cumpla con los códigos locales o con las instrucciones impresas del fabricante.

ESTA GARANTÍA LIMITADA ES LA ÚNICA GARANTÍA EXPRESA QUE OTORGA EL FABRICANTE. EL FABRICANTE NO GARANTIZA NINGUNA ESPECIFICACIÓN DE USO O DESCRIPCIÓN DONDE SEA QUE APAREZCAN, EXCEPTO HASTA EL PUNTO INDICADO EN LA PRESENTE GARANTÍA LIMITADA. CUALQUIER PROTECCIÓN IMPLÍCITA DE LA GARANTÍA QUE SURJA DE LAS LEYES DE CUALQUIER ESTADO, INCLUYENDO LA GARANTÍA IMPLÍCITA DE COMERCIALIZACIÓN O ADECUACIÓN PARA UN DETERMINADO USO O PROPÓSITO, TENDRÁ LA MISMA DURACIÓN LIMITADA QUE LA PRESENTE GARANTÍA LIMITADA.

Ningún proveedor ni el establecimiento de venta que comercialice este producto tiene derecho a ofrecer garantías adicionales o a prometer otras acciones legales posibles además de o contrarias a las establecidas con anterioridad. La responsabilidad máxima del fabricante, en cualquier caso, no debe superar el precio de compra documentado del producto que abonó el consumidor original. Esta garantía solo es aplicable a la unidades adquiridas en un minorista o en un mercado de reventa. **NOTA:** Algunos estados no permiten la exclusión o limitación de daños incidentales o consecuentes. Por lo tanto, algunas de las limitaciones y exclusiones antes mencionadas pueden no ser aplicables a su caso en particular. La presente garantía limitada le otorga derechos legales específicos tal como aquí se estipula. También puede gozar de otros derechos que varían en los diversos estados.

En caso de que quiera que se cumpla con cualquiera de las obligaciones estipuladas en la presente garantía limitada, escriba a:

Atención al cliente de Nexgrill
14050 Laurelwood PI
Chino, CA 91710

Puede solicitar devoluciones, ordenar repuestos, realizar preguntas generales y obtener ayuda sobre localización y resolución de problemas comunicándose al US.A: 1-800-913-8999



LP Gas Grill page 1-13
PARRILLA A GAS PROPANO pagina 14-26
GRIL AU GAZ DE PÉTROLE LIQUÉFIÉ
page 27-42

MODEL / MODÈLE / MODELO # 720-0894F



! AVERTISSEMENT
 Afin de réduire le risque d'incendie, de brûlure ou d'autres blessures, lisez attentivement et entièrement ce guide avant d'utiliser votre gril.

19000584A1

! AVERTISSEMENT
 UNIQUEMENT RÉSERVÉ À UN USAGE EXTÉRIEUR.

! AVERTISSEMENT
 Ce gril n'est pas destiné à être installé sur un bateau ou dans un véhicule récréatif.



Exemple uniquement: N° DE SÉRIE _____ DATE DE FAB _____ DATE D'ACHAT : _____



Questions, problèmes, pièces manquantes? Avant de rapporter le produit chez le détaillant, communiquez avec le Service à la clientèle en composant le 1-800-913-8999 du lundi au vendredi de 8 h à 17 h, heure du Pacifique

Mesures de sécurité.....	28
Consignes pour l'allumage.....	32
Aide-mémoire pour la cuisson.....	35
Nettoyage et entretien.....	36
Dépannage.....	37
Garantie.....	39
Liste des pièces.....	40
Consignes pour l'assemblage.....	42

Avertissements de la proposition 65 de l'État de Californie :

AVERTISSEMENT: Pour fonctionner, cet équipement nécessite l'utilisation de gaz propane, qui contient le benzène chimique qui est connu dans l'État de Californie pour être à l'origine de cancers et autres déficiences de naissance.

AVERTISSEMENT: Ce produit contient au moins un produit chimique connu par l'État de Californie pour être à l'origine de cancers.

AVERTISSEMENT: Ce produit contient au moins un produit chimique connu par l'État de Californie pour être à l'origine de malformations et autres déficiences de naissance.

Dans l'État du Massachusetts, les instructions d'installation suivantes sont applicables :

- Les travaux d'installation et réparation doivent être exécutés par un plombier ou tuyauteur qualifié ou licencié, ou par le personnel qualifié d'une entreprise licenciée par l'État du Massachusetts.

- Si une vanne à boisseau sphérique est utilisée, elle doit comporter une manette "T".

- Si un conduit de raccordement flexible est utilisé, sa longueur ne doit pas dépasser 3 pi.

AVERTISSEMENT

Le non-respect des présentes consignes peut entraîner un incendie ou une explosion pouvant causer des lésions corporelles graves, voire la mort, ainsi que des dommages matériels.

AVERTISSEMENT

Votre barbecue deviendra très chaud. Ne vous penchez jamais au-dessus de l'aire de cuisson pendant l'utilisation du barbecue. Ne touchez pas aux surfaces de cuisson, au boîtier, au couvercle ou à toute autre pièce pendant l'utilisation du barbecue et tant qu'il n'a pas refroidi après l'usage.

Le non-respect de ces consignes peut entraîner des lésions corporelles graves.

AVERTISSEMENT

1. Ne pas entreposer ou utiliser de l'essence ou tout autre liquide ou vapeur inflammable près de cet appareil ou de tout autre appareil.
2. Un réservoir de gaz propane liquide qui n'est pas branché pour utilisation ne doit pas être entreposé près de cet appareil ou de tout autre appareil.

DANGER

Si vous sentez une odeur de gaz :

1. Coupez l'alimentation du gaz à l'appareil.
2. Éteignez toute flamme nue.
3. Soulevez le couvercle.
4. Si l'odeur persiste, tenez-vous à l'écart de l'appareil et contactez immédiatement votre fournisseur de gaz ou le service des pompiers.

Codes d'installation du barbecue

L'installation doit être conforme aux codes locaux ou, en l'absence de ces derniers, à l'un des codes suivants : code national de gaz de combustion ANSI Z 223.1/NFPA 54, code d'installation de gaz naturel et de propane CSA B149.1 ou code d'entreposage et de manutention de propane B149.2 ou aux normes des véhicules récréatifs ANSI A 119.2, et code des véhicules récréatifs de la série CSA Z240 RV, selon le cas.

Les modèles de barbecue au propane liquide sont conçus pour être utilisés avec un réservoir de propane liquide standard de 9 kg (20 lb), non compris. Ne branchez jamais votre barbecue à gaz à un réservoir de propane liquide dépassant cette capacité.

La capacité maximale du réservoir de propane liquide (PL) qui peut être utilisé est d'environ 30 cm de diamètre sur une hauteur de 47 cm.

Vous devez utiliser un réservoir de gaz muni d'un dispositif anti-débordement.

Ce dispositif de sécurité empêche un remplissage excessif du réservoir qui pourrait entraîner le dysfonctionnement du réservoir de PL, du régulateur ou du barbecue.

Le réservoir de PL doit être construit et marqué selon les spécifications du Département des transports des États-Unis (DOT). Au Canada, le réservoir de PL doit être conforme à la Norme nationale du Canada, CAN/CSA – B339, bouteilles et tubes utilisés pour le transport et la mise en service des marchandises dangereuses.

1. Le réservoir de PL doit être muni d'un robinet d'arrêt qui mène à un tuyau de sortie d'alimentation de PL compatible avec un dispositif de raccord de réservoir de type 1. Le réservoir de PL doit également être muni d'un opercule de sécurité ayant un lien direct avec l'espace de vapeur du réservoir.

2. Le système d'alimentation du réservoir doit être arrangé de manière à permettre le retrait de vapeur.

3. Le réservoir de PL utilisé doit être muni d'un collier pour protéger la valve du réservoir



Conservez toujours le réservoir à 90° (à la verticale) afin de permettre le retrait de la vapeur.

Emplacement et dégagement appropriés du barbecue

N'utilisez jamais votre barbecue à gaz dans un garage, sous une véranda, dans une remise, dans un passage recouvert ou dans tout autre endroit fermé. Votre barbecue à gaz doit être utilisé à **l'extérieur seulement**, à une distance d'au moins 60 cm de toute surface combustible, tant à l'arrière que sur les côtés. Votre barbecue à gaz doit ne pas être utilisé en dessous d'éléments de construction combustibles. Ne bloquez pas le courant de ventilation autour du boîtier du barbecue à gaz.

- N'installez pas ce barbecue à gaz extérieur sur ou dans des véhicules récréatifs ou des bateaux.

- Gardez la zone du barbecue extérieur libre de tout matériau combustible, essence et autres vapeurs et liquides inflammables.

- Ne bloquez pas le courant de combustion ni l'air de ventilation. Vérifiez le courant avant chaque utilisation du barbecue.

- **Ne branchez jamais** un réservoir de PL non réglementé à votre barbecue à gaz. Le régulateur de gaz fourni avec votre barbecue à gaz a été ajusté à une pression de sortie de 28 cm de colonne d'eau (C.E.) pour la connexion à un réservoir de PL.

- Utilisez seulement l'ensemble tuyau et régulateur fourni avec votre barbecue à gaz. Tous les ensembles tuyaux et régulateurs de remplacement doivent correspondre à ceux spécifiés dans le présent manuel. • Faites remplir votre réservoir de PL par un fournisseur de gaz de propane fiable et exigez une inspection visuelle et une requalification à chaque remplissage.

- Ne rangez aucun réservoir de PL de rechange sous ou près de cet appareil.

- Ne remplissez jamais le réservoir à plus de 80 pour cent de sa capacité. Si ces consignes ne sont pas suivies à la lettre, un incendie peut se produire et entraîner des lésions corporelles graves, voire la mort.

- Maintenez toujours les réservoirs de PL en position verticale.

- Vous ne devez ni entreposer ni utiliser de l'essence, d'autres liquides ou vapeurs inflammables à proximité de cet appareil.

- N'exposez pas le réservoir de PL à une chaleur excessive.

- N'entreposez pas un réservoir de PL à l'intérieur. Si vous entreposez votre barbecue à gaz dans le garage ou dans un autre emplacement à l'intérieur, débranchez **toujours** le réservoir de PL et rangez-le à l'extérieur de manière sécurisée.

- Placez toujours le bouchon anti-poussière sur la sortie de la valve du réservoir lorsque vous n'utilisez pas ce dernier. N'installez que le type de bouchon anti-poussière qui est fourni avec la valve du réservoir. Les autres types de bouchons peuvent entraîner des fuites du propane.

- Les réservoirs de PL doivent être entreposés à l'extérieur dans des zones bien ventilées et hors de la portée des enfants.

Les réservoirs de PL non branchés ne doivent pas être entreposés dans un bâtiment, un garage ou tout autre emplacement fermé.

- Lorsque vous n'utilisez pas le barbecue à gaz, vous devez éteindre le gaz au niveau du réservoir de PL.

- L'ensemble tuyau et régulateur doit être inspecté avant chaque utilisation du barbecue. En cas d'abrasion ou d'usure excessives ou si le tuyau est coupé, vous devez remplacer le tuyau avant de réutiliser le barbecue.

- Tenez le tuyau du régulateur de gaz à l'écart des surfaces chaudes du barbecue et d'égouttements de graisse. Ne tordez pas le tuyau inutilement.

Faites une inspection visuelle du tuyau avant chaque utilisation pour déceler les coupures, les fentes, une usure excessive ou tout autre dégât. N'utilisez pas le barbecue à gaz si le tuyau semble avoir subi des dommages. Appelez le 1-800-913-8999 pour obtenir un tuyau de remplacement.

- **N'allumez jamais** votre barbecue à gaz lorsque le couvercle est fermé ou avant de vérifier que les tuyaux de brûleurs sont entièrement installés sur les orifices de valve de gaz.

- **Ne permettez jamais** aux enfants de faire fonctionner votre barbecue.



AVERTISSEMENT

Une odeur forte de gaz ou un sifflement indique un problème sérieux de votre barbecue à gaz ou du réservoir de PL. Les consignes qui suivent doivent être suivies immédiatement, sans quoi un incendie ou une explosion peuvent se produire et entraîner des lésions corporelles graves, voire la mort, ou des dommages matériels.

- Coupez l'alimentation du gaz au barbecue.
- Tournez les boutons en position d'arrêt (OFF).
- Éteignez toute flamme avec un extincteur approprié.
- Soulevez le couvercle du barbecue.
- Éloignez-vous du réservoir de PL.
- N'essayez pas de réparer vous-même le problème.
- Si l'odeur persiste ou si vous n'êtes pas capable d'éteindre le feu, appelez le service des pompiers. Ne passez pas d'appel à proximité du réservoir de PL, dans la mesure où votre téléphone est un type d'appareil électrique pouvant émettre une étincelle provoquant un incendie ou une explosion.

REMARQUE : L'écoulement normal des gaz à travers l'ensemble tuyau et régulateur peut engendrer un bourdonnement. À faible volume, ce bruit est tout à fait normal et n'affecte pas le fonctionnement du barbecue. Par contre, si le bourdonnement est bruyant et excessif, il peut s'avérer nécessaire de purger l'air du conduit de gaz ou remettre en place le régulateur d'écoulement de gaz. Cette purge devrait être effectuée à chaque fois qu'un nouveau réservoir de PL est branché à votre barbecue. Pour toute aide concernant ce procédé, consultez la page 31 au point 4, « Si le barbecue ne s'allume toujours pas », ou appelez le Centre d'information sur les barbecues au 1-800-913-8999.

MISE EN GARDE : Attention au retour de flamme

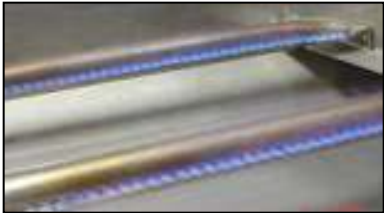
MISE EN GARDE : Les araignées et les petits insectes tissent parfois des toiles ou font des nids dans les tuyaux de brûleurs pendant le transport et l'entreposage. Bloquant l'écoulement du gaz, ces toiles peuvent être la cause d'un incendie à l'intérieur et autour des tuyaux de brûleurs. Ce type d'incendie, connu sous le nom de **RETOUR DE FLAMME**, peut provoquer de graves dégâts dans votre barbecue et affecter les conditions de fonctionnement qui deviennent dangereuses pour l'utilisateur.

Bien qu'un tuyau de brûleur bloqué ne soit pas la seule cause de ces **RETOURS DE FLAMME**, il s'agit néanmoins de la cause la plus commune.

Pour réduire le risque de **RETOURS DE FLAMME**, vous devez nettoyer les tuyaux de brûleurs avant de monter votre barbecue et au moins une fois par mois à la fin de l'été et au début de l'automne lorsque les araignées sont particulièrement actives. Nettoyez également les tuyaux de brûleurs si votre barbecue n'a pas servi pendant une longue période.

Voir Nettoyage des tuyaux et orifices de brûleurs à la page 37.

Vérification des flammes de brûleurs



Vérifiez la flamme des brûleurs avant chaque utilisation. Les flammes devraient être semblables à l'illustration. Si ce n'est pas le cas, consultez la section sur le nettoyage des tuyaux et orifices de brûleurs à la page 94 de ce manuel.

Vérification de fuites de propane liquide

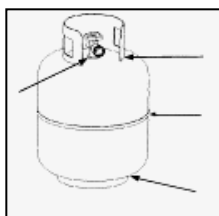
N'utilisez jamais de flamme pour détecter la présence de fuites. Vous devez vérifier s'il y a des fuites de gaz avant la première utilisation, au début de chaque saison et chaque fois que vous changez le réservoir de PL.

1. Fabriquez une solution savonneuse (moitié eau, moitié savon)
2. Mettez les boutons de commande en position fermée (OFF), puis allumez le gaz (position ON) du réservoir d'alimentation.
3. Appliquez la solution savonneuse avec une brosse propre à tous les joints de gaz. Voir ci-dessous. Si des bulles se forment dans la solution, les joints ne sont pas scellés correctement. Vérifiez chaque raccord, et serrez ou réparez au besoin.



Vérification de fuites dans les joints de gaz

4. En cas de fuite dans le joint de gaz que vous ne pouvez réparer, éteignez le gaz du réservoir d'alimentation (position OFF), débranchez la conduite d'alimentation de votre barbecue et appelez le 1-800-913-8999 ou votre fournisseur de gaz pour de l'aide à la réparation.
5. Appliquez également la solution savonneuse aux rivures du réservoir. Voir ci-dessous. Si des bulles se forment, éteignez le réservoir, ne l'utilisez pas et ne le déplacez pas! Demandez de l'aide à un fournisseur de PL ou à votre service de pompiers.



Vérification de fuites dans le réservoir de gaz


Consignes pour l'allumage du barbecue

Consignes pour l'allumage des brûleurs principaux


1. Ne fumez pas pendant l'allumage du barbecue ou la vérification des connexions d'alimentation en gaz.
2. Assurez-vous que le réservoir de PL est suffisamment rempli.



AVERTISSEMENT
Si le couvercle du barbecue n'est pas ouvert durant la procédure d'allumage, un incendie ou une explosion peuvent en résulter et causer de graves lésions corporelles, voire la mort, ou des dommages matériels.

3. Assurez-vous que toutes les connexions de gaz sont solidement serrées.
 4. Ouvrez l'approvisionnement en gaz.
 5. Ouvrez le couvercle principal du barbecue.
 6. Pour allumer le brûleur, poussez et tournez le bouton de commande du brûleur principal à la position  /ÉLEVÉ, tout en appuyant et en maintenant enfoncé le bouton d'allumage électronique.
- Dès que le brûleur est allumé, relâchez le bouton d'allumage électronique et le bouton du brûleur.



7. Si le brûleur ne s'allume pas après 5 secondes, tournez le bouton sur arrêt (OFF). Éteignez le gaz en mettant le réservoir de PL sur arrêt (OFF) et attendez 5 minutes que le gaz se soit dispersé. Mettez ensuite le gaz du réservoir sur marche (ON) et répétez l'étape 6
8. Si le brûleur ne s'allume toujours pas, voir les sections « Allumage manuel du barbecue avec une allumette » et « Si le barbecue ne réussit toujours pas à s'allumer » à la page suivante.
9. Pour allumer des brûleurs additionnels, tournez le bouton de chaque brûleur sur  /HIGH. Appuyez sur le bouton d'allumage électronique que vous maintenez enfoncé pour allumer le brûleur. Ajustez le(s) bouton(s) à la température souhaitée.

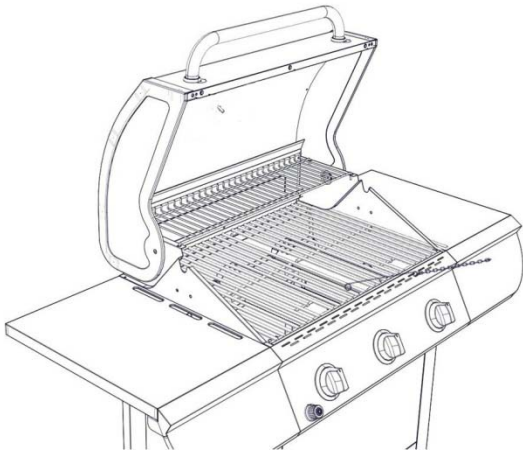


AVERTISSEMENT

Ne vous penchez jamais sur l'aire de cuisson pendant que vous allumez votre barbecue à gaz. Tenez-vous à une distance sûre (au moins 45 centimètres) de la surface de cuisson lorsque vous allumez votre barbecue avec une allumette.

Allumage manuel du barbecue avec une allumette

1. Insérez une allumette dans le bâtonnet d'allumage manuel.
2. Suivez les étapes de 1 à 5 de la procédure d'allumage de base.
3. Frottez l'allumette et tendez-la vers la surface de la grille de cuisson.
4. Tournez le bouton de commande désiré en position **HIGH** pour dégager le gaz. Le brûleur devrait s'allumer immédiatement. ⚡



AVERTISSEMENT

En cas de RETOUR DE FLAMME dans les tuyaux de brûleurs ou autour, suivez les instructions ci-dessous. Le non-respect des présentes consignes peut déclencher un incendie ou une explosion qui sont susceptibles d'entraîner des lésions corporelles graves, voire la mort, ou des dommages matériels.

- Coupez l'alimentation de gaz.
- Tournez les boutons en position d'arrêt (OFF).
- Éteignez toute flamme avec un extincteur approprié.
- Soulevez le couvercle du barbecue.
- Une fois que le barbecue s'est refroidi, nettoyez les tuyaux de brûleurs et les brûleurs en suivant les consignes de nettoyage de la page 36.

Si le barbecue ne réussit toujours pas à s'allumer

1. Vérifiez s'il y a des fuites dans l'alimentation en gaz et dans les joints. Vérifiez que tous les fils sont solidement connectés.
2. Répétez la procédure d'allumage de base. Si votre barbecue ne fonctionne toujours pas, éteignez le gaz à la source, tournez les boutons de commande à l'arrêt (OFF) et vérifiez les éléments suivants :
 - Défaut d'alignement des tuyaux de brûleurs sur les orifices
Correctif: repositionnez les tuyaux de brûleurs sur les orifices.
 - Orifice bouché
Correctif : enlevez les brûleurs du barbecue et soulevez chaque brûleur soigneusement hors de l'orifice de la valve de gaz. Retirez l'orifice de la valve de gaz et enlevez délicatement toute obstruction avec un fil fin. Réinstallez ensuite tous les orifices, les brûleurs et les éléments de cuisson.
3. S'il semble y avoir une obstruction dans les valves des brûleurs du barbecue, appelez le 1-800-913-8999 pour demander un service de réparation.
4. Si le barbecue ne s'allume toujours pas, il peut s'avérer nécessaire de purger l'air du conduit de gaz ou remettre en place le régulateur d'écoulement d'excès de gaz. **Remarque** : Cette procédure devrait être effectuée chaque fois qu'un nouveau réservoir de PL est branché à votre barbecue.

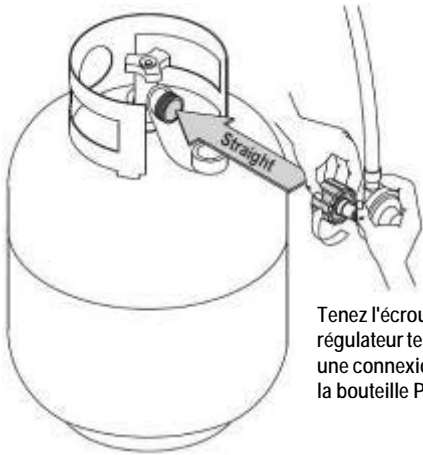
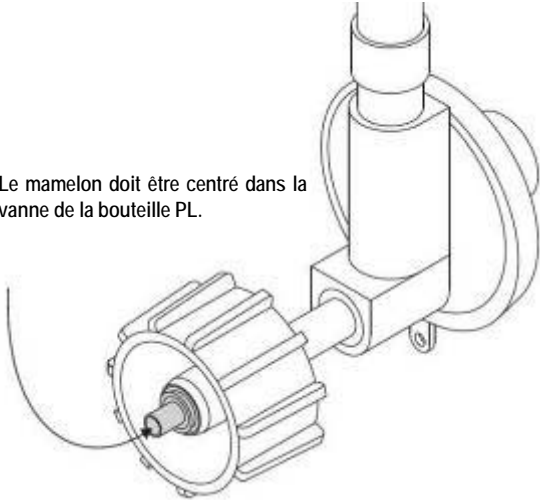
Pour purger l'air de votre conduite de gaz et/ou remettre en place le régulateur d'écoulement d'excès de gaz :

- Tournez tous les boutons en position d'arrêt (OFF).
- Éteignez le gaz au niveau de la valve du réservoir.
- Débranchez le régulateur du réservoir de PL.
- Laissez l'unité telle quelle pendant 5 minutes.
- Rebranchez le régulateur au réservoir de PL.
- Tournez la valve du réservoir très lentement jusqu'à une ouverture entre $\frac{1}{4}$ et $\frac{1}{2}$.
- Ouvrez le couvercle du barbecue.
- Appuyez sur n'importe quel bouton de commande que vous tournez en position HIGH.
- Tournez les boutons de commande sur HIGH jusqu'à ce que tous les brûleurs soient allumés.
- Vous pouvez commencer à utiliser le barbecue.

5. Si toutes les vérifications ou les corrections ont été effectuées et que vous avez toujours des questions à propos du fonctionnement de votre barbecue à gaz, appelez le **Centre d'information sur les barbecues au 1-800-913-8999**.

5. En tenant le régulateur, insérez le mamelon dans la vanne de la bouteille PL. Serrez à la main l'écrou d'accouplement en tenant le régulateur perpendiculairement à la vanne de la bouteille PL pour ne pas fausser le filetage de la connexion.

Le mamelon doit être centré dans la vanne de la bouteille PL.



Tenez l'écrou d'accouplement et le régulateur tel qu'indiqué pour garantir une connexion appropriée de la vanne de la bouteille PL.

6. Tournez l'écrou d'accouplement vers la droite et serrez complètement. Le régulateur s'enclenche dans le dispositif de contrôle à l'arrière de la vanne de la bouteille de gaz PL ce qui renforce encore plus la résistance. Un autre tour à moitié jusqu'au trois quart est requis pour terminer la connexion. Serrez à la main uniquement. Ne pas utiliser d'outils.

REMARQUE:

Si vous ne pouvez pas effectuer la connexion, déconnectez le régulateur et répétez les étapes 5 et 6. Si vous ne parvenez toujours pas à établir la connexion, n'utilisez pas ce régulateur! Appelez le 1-800-913-8999 pour toute assistance.

Félicitations

Vous pouvez maintenant utiliser votre barbecue à gaz Nexgrill. Avant la première utilisation et au début de chaque saison (ainsi que lors de tout changement de réservoir de PL) :

1. Lisez toutes les consignes de sécurité, d'allumage et de fonctionnement.
2. Vérifiez les orifices des valves de gaz, les tuyaux de brûleurs et les orifices de brûleurs pour déceler toute obstruction.
3. Effectuez une vérification de fuite de gaz en suivant les consignes stipulées à la page suivante de ce manuel.

Important

Avant de cuisiner sur votre barbecue pour la première fois, lavez les grilles de cuisson et de réchaud avec de l'eau savonneuse tiède. Rincez et séchez complètement. Ajoutez régulièrement de l'huile de cuisson. Lorsque la cuisson est terminée, haussez la température du barbecue à HIGH pendant 3 à 5 minutes pour le débarrasser d'excédents de graisse et de résidus de nourriture.

DÉBRANCHER LE RÉSERVOIR DE PROPANE LIQUIDE

Mettez les valves des brûleurs du barbecue à l'arrêt (OFF) et assurez-vous que le barbecue est froid. Tournez le robinet du réservoir de propane liquide barbecue à l'arrêt (OFF) dans le sens horaire jusqu'au blocage. Détachez l'ensemble du régulateur de pression du robinet du réservoir en tournant l'écrou à raccord rapide dans le sens anti-horaire. Placez le bouchon anti-poussière sur la sortie du robinet du réservoir en tout temps lorsque vous n'utilisez pas le réservoir. N'installez que le type de bouchon anti-poussière qui est fourni avec le robinet du réservoir. Les autres types de bouchons peuvent entraîner des fuites du propane.

Consignes pour la cuisson



AVERTISSEMENT

Ne pas laisser le barbecue sans surveillance.

Votre barbecue deviendra très chaud. Ne vous penchez jamais au-dessus de l'aire de cuisson pendant l'utilisation de votre barbecue. Ne touchez pas aux surfaces de cuisson, au boîtier, au couvercle ni à toute autre partie du barbecue pendant qu'il est allumé, et jusqu'à ce qu'il ait refroidi après l'utilisation. Le non-respect de ces consignes peut entraîner des lésions corporelles graves.



AVERTISSEMENT

Ne tapissez pas le fond du boîtier du barbecue avec des feuilles d'aluminium, du sable ou toute autre substance qui restreindrait l'écoulement de la graisse dans le plateau à graisse.

Le non-respect des présentes consignes peut avoir pour résultat un incendie ou une explosion qui pourraient entraîner des lésions corporelles graves, voire la mort, ou des dommages matériels.

Brûlage de nettoyage

Avant de cuisiner sur votre barbecue à gaz pour la première fois, il est préférable de faire chauffer le barbecue pour éliminer toute odeur ou tout corps étranger. Il suffit d'allumer les brûleurs, de rabaisser le couvercle et de faire fonctionner le barbecue à haute température pendant 3 à 5 minutes.

Températures de cuisson

Température élevée : N'utilisez cette température que pour réchauffer rapidement, saisir les biftecks ou les côtelettes et brûler les résidus d'aliments afin de nettoyer le barbecue une fois la cuisson terminée. **N'utilisez jamais** la température HIGH pour une cuisson de longue durée.

Températures moyennes à basses : La plupart des recettes spécifient des températures moyennes à basses, y compris toute fumaison, rôtisserie et cuisson des morceaux maigres comme le poisson.

REMARQUE : La température du barbecue varie selon la température extérieure et la force du vent de votre région.

Cuisson directe

La méthode de cuisson directe peut être utilisée avec les grilles de cuisson fournies et la nourriture peut être placée directement sur les brûleurs allumés du barbecue. Cette méthode est parfaite pour saisir les aliments et lorsque vous voulez que votre viande, votre volaille ou votre poisson aient une saveur de cuisson au barbecue à flamme nue. La friture et la fumaison sont également adaptées à cette méthode, puisqu'elles exigent une chaleur directe.

Cuisson indirecte

Pour cuire à chaleur **indirecte**, les aliments doivent être placés sur le côté gauche ou droit de votre barbecue tandis que le brûleur du côté opposé est allumé.

Flambées

Les graisses et les jus qui coulent de la nourriture en train de griller peuvent causer des flambées. Dans la mesure où les flambées donnent un goût et une couleur agréables aux aliments cuits à flamme nue, elles peuvent être utilisées jusqu'à un certain point. Toutefois, des flambées non contrôlées peuvent ruiner un repas.

Aide-mémoire pour la cuisson

AVERTISSEMENT : Pour être certain qu'un aliment peut être consommé en toute sécurité, faites-le cuire jusqu'à ce qu'il atteigne au moins la température interne correspondante dans le tableau ci-dessous.

Aliment	Température
Boeuf, veau et agneau (morceaux et pièces entières) - mi-saignant	63 °C (145 °F)
Boeuf, veau et agneau (morceaux et pièces entières) - à point	71 °C (160 °F)
Boeuf, veau et agneau (morceaux et pièces entières) - bien cuit	77 °C (170 °F)
Porc (morceaux et pièces entières)	71 °C (160 °F)
Volaille (p. ex. poulet, dinde, canard) - morceaux	74 °C (165 °F)
Volaille - volaille entières	85 °C (185 °F)
Viande hachée et mélanges de viandes (p. ex. hamburgers, saucisses, boulettes de viande, pains de viande, ragoûts) - boeuf, veau, agneau et porc	71 °C (160 °F)
Viande hachée et mélanges de viandes – volaille	74 °C (165 °F)
Plats à base d'oeufs	74 °C (165 °F)
Autres (hot-dogs, farces, restes)	74 °C (165 °F)

Agence canadienne d'inspection des aliments

ALIMENT	Poids ou épaisseur	Température	Durée	Consignes spéciales et conseils
Légumes	ND	Moyenne	8 à 20 minutes	Couper les légumes en tranches ou en morceaux et les recouvrir de beurre ou de margarine. Les envelopper serrés dans une feuille métallique à haute résistance. Griller en retournant de temps en temps.
Pommes de terre	Entières	Moyenne	40 à 60 minutes	Envelopper individuellement dans une feuille métallique à haute résistance. Faire cuire en tournant de temps en temps.
Viande/Biftecks	1 à 2 cm	Moyenne élevée	4 à 15 minutes	Préchauffer le barbecue pendant 15 à 20 minutes, puis faire saisir les biftecks pendant deux minutes de chaque côté. Ensuite, faire griller 3 à 5 minutes de chaque côté ou jusqu'à la cuisson désirée.
Viandes hachées	1 à 2 cm	Moyenne	8 à 15 minutes	Faire griller en retournant une fois lorsque les jus remontent à la surface ou jusqu'à la cuisson désirée. Ne pas laisser les hamburgers sans surveillance, car une flambée peut se produire soudainement.
Côtes	1/2 carré ou carré plein	Moyenne	20 à 40 minutes	Griller en retournant à l'occasion. Pendant les dernières minutes de cuisson, badigeonner de sauce barbecue et retourner plusieurs fois.
Hotdogs	ND	Moyenne	5 à 10 minutes	Faire griller en retournant 4 fois. 2 à 4 minutes sur chacun des 4 côtés.
Volailles - morceaux	Environ 115 g à 225 g	Faible ou moyenne	20 à 40 minutes	Griller en retournant à l'occasion. Pendant les dernières minutes de cuisson, balayer avec de la sauce barbecue, le cas échéant et retourner plusieurs fois.
Volaille entière	900 g à 1,4 kg	Faible ou	1 à 1-1/2 heures	Utiliser un support à volaille et badigeonner de sauce à volonté.
		Moyenne	40 à 60 minutes	Utiliser un support à volaille badigeonner de sauce à volonté.
Poisson	2 cm à 2,5 cm	Moyenne	8 à 15 minutes	Faire griller en retournant une fois jusqu'à la cuisson désirée. Badigeonner de beurre ou de margarine fondus ou de l'huile.

Pour garantir le bon fonctionnement de l'appareil, un nettoyage et un entretien appropriés sont recommandés.

Nettoyage des grilles de cuisson

Nous vous suggérons de laver vos grilles de cuisson dans une solution de savon doux et d'eau tiède. Vous pouvez utiliser une débarbouillette ou une brosse à soies souples pour nettoyer vos grilles de cuisson.

Nettoyage des diffuseurs

Lavez périodiquement les diffuseurs dans une solution de savon doux et d'eau tiède. Utilisez une brosse à soies souples pour enlever les résidus de cuisson brûlés tenaces. Les diffuseurs doivent sécher avant d'être réinstallés.

Nettoyage du plateau à graisse

Le plateau à graisse doit être vidé et essuyé périodiquement, puis lavé dans une solution de savon doux et d'eau tiède. Une petite quantité de sable ou de litière pour chats peut être placée dans le fond du plateau à graisse afin d'absorber la graisse. Vérifiez souvent le plateau à graisse et ne laissez pas d'excès de graisse s'accumuler et déborder du plateau à graisse.

Nettoyage annuel de l'intérieur du barbecue

Un brûlage de nettoyage après chaque utilisation est suffisant pour préparer le barbecue à sa prochaine utilisation. Cependant, une fois par année, vous devez effectuer un nettoyage complet du barbecue pour le garder dans le meilleur état de fonctionnement possible. Effectuez les étapes suivantes.

1. Tournez toutes les valves de brûleur en position d'arrêt (OFF).
2. Tournez la valve du réservoir de PL en position d'arrêt (OFF).
3. Détachez l'ensemble régulateur et tuyau de PL de votre barbecue à gaz. Inspectez pour déceler tout dégât et remplacez les pièces au besoin en vous servant des numéros de pièces de rechange du fabricant indiqués dans la liste des pièces.
4. Retirez et nettoyez les diffuseurs de chaleur, les grilles de cuisson et les brûleurs du barbecue.
5. Couvrez l'orifice de chaque valve à gaz avec une feuille d'aluminium.
6. Brossez l'intérieur et le fond du barbecue avec une brosse de nylon et lavez avec une solution de savon doux et d'eau tiède.
7. Enlevez les feuilles d'aluminium, puis réinstallez les diffuseurs et les grilles de cuisson.

8. Rebranchez la source de gaz et examinez la flamme de brûleur pour vérifier son bon fonctionnement.

Nettoyage de la surface extérieure

Nous vous suggérons de laver votre barbecue avec une solution de savon doux et d'eau tiède. Vous pouvez utiliser une débarbouillette ou une éponge. N'utilisez pas de produits abrasifs ni une brosse qui pourraient enlever la finition pendant le nettoyage.

Nettoyage des tuyaux et des orifices des brûleurs

Pour réduire le risque d'un RETOUR DE FLAMME, la procédure ci-dessous doit être effectuée au moins une fois par mois à la fin de l'été ou au début de l'automne quand les araignées sont les plus actives, ou si votre barbecue est resté inutilisé pendant une longue période.

1. Tournez toutes les valves de brûleur et la valve du réservoir de gaz en position d'arrêt (OFF).
2. Détachez l'ensemble régulateur de PL de votre barbecue à gaz.
3. Enlevez les grilles de cuisson, les diffuseurs et le plateau à graisse du barbecue.
4. Retirez le clip R du brûleur et soulevez les brûleurs vers le haut et à l'écart de l'orifice de la valve de gaz.
5. Passez un fil de fer raide plié en forme de crochet, un tuyau d'air ou un goupillon plusieurs fois à l'intérieur et à travers le tuyau de brûleur pour enlever tout débris.
6. Remplacez les brûleurs; voir l'illustration ci-dessous.

Étape 1. Retirez la vis qui bloque le fil d'allumage.

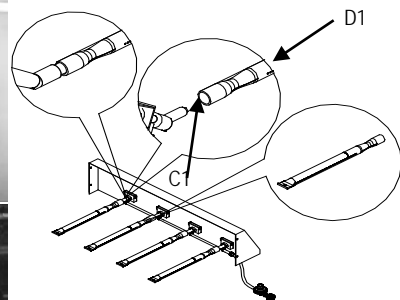
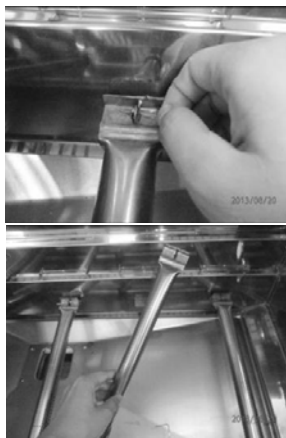
Étape 2. Enlevez la goupille en épingle à cheveux qui fixe le brûleur en place à l'autre bout.

Étape 3. Placez le nouveau brûleur dans l'orifice.

(a) Insérer le brûleur sur la vanne de gaz du brûleur principal.

(b) Assurez-vous que le goujon orifice (C1) est à l'intérieur du brûleur (D1).

Étape 4. Installez solidement le brûleur principal sur le mur arrière à l'aide de la goupille en épingle à cheveux et remettez le fil d'allumage en place.





AVERTISSEMENT

La disposition du tuyau de brûleur par rapport à l'orifice est cruciale pour un fonctionnement sécuritaire. Assurez-vous de vérifier que l'orifice est bien dans le tuyau de brûleur avant d'utiliser le barbecue à gaz. Si le tuyau de brûleur n'est pas bien ajusté sur l'orifice de la valve, l'allumage du brûleur peut déclencher une explosion ou un incendie.

2. Nettoyez tout orifice bouché avec un fil raide, tel qu'un trombone déplié.

3. Inspectez chaque brûleur pour détecter les dégâts (fentes ou trous) et en cas de dégâts, commandez et installez un nouveau brûleur. Après l'installation, vérifiez que les orifices de valve de gaz sont correctement placés dans les bouts des tuyaux de brûleur.

Quelle que soit la procédure de nettoyage des brûleurs que vous suivez, nous vous recommandons de compléter également les étapes suivantes pour prolonger la vie utile de vos brûleurs.

1. Utilisez un tampon de fibres ou une brosse de nylon pour nettoyer entièrement la surface externe de chaque brûleur jusqu'à ce qu'il n'y ait plus de trace de résidu d'aliment ni de saleté.



AVERTISSEMENT

Des araignées et des insectes peuvent faire leur nid à l'intérieur des brûleurs du barbecue, ce qui peut perturber l'écoulement des gaz. Il s'agit d'une situation très dangereuse qui pourrait déclencher un incendie derrière le panneau de la valve, endommageant le barbecue et rendant son utilisation dangereuse. Inspectez le barbecue au moins deux fois par an.

Dépannage

AVANT D'APPELER LE SERVICE À LA CLIENTÈLE

Si le barbecue ne fonctionne pas correctement, effectuez chaque vérification de la liste qui suit avant de contacter le service à la clientèle.

Vous devriez inspecter les brûleurs au moins une fois par an ou immédiatement après l'une des situations suivantes :

PROBLÈMES	CE QU'IL FAUT FAIRE
Le barbecue ne s'allume pas lorsque le bouton de commande est tourné.	Vérifiez si le réservoir de PL est vide. Nettoyez les fils et/ou les électrodes en les frottant avec de l'alcool et un tampon propre. Essuyez avec un chiffon sec. Assurez-vous que le fil est branché à l'ensemble d'électrodes. Est-ce que les autres brûleurs de l'appareil fonctionnent? Vérifiez si les autres brûleurs fonctionnent. Si oui, vérifiez s'il y a une obstruction dans l'orifice de gaz du brûleur défectueux.
La flamme du brûleur est jaune ou orangée, et il y a une odeur de gaz.	Voir la section Nettoyage des tuyaux et orifices de brûleurs à la page 36. Si le problème persiste, veuillez appeler le 1-800-913-8999.
Faible chaleur alors que le bouton est en position HI.	Est-ce que le tuyau d'alimentation est plié ou cabossé Est-ce que le barbecue est dans un endroit poussiéreux? Est-ce qu'une quantité adéquate de gaz est disponible? Si un seul brûleur semble faible, est-ce que ce brûleur ou son orifice ont besoin d'être nettoyés? Est-ce que la quantité de gaz disponible ou la pression de gaz sont basses?

Nexgrill garantit à l'acheteur-consommateur d'origine uniquement que ce produit (*Modèle n°720-0894F*) est exempt de défaut de fabrication et de matériaux après un assemblage correct et dans des conditions d'utilisation normales et raisonnables au domicile pendant les périodes indiquées ci-dessous à compter de la date d'achat. Le fabricant se réserve le droit de demander une photo comme preuve du dommage ou de renvoyer les pièces défectueuses, tout frais d'expédition par voie postale ou transport prépayé par le consommateur, à titre de révision et d'inspection. L'obligation de Nexgrill est limitée à la réparation, le remplacement ou la valeur dépréciée, au gré de Nexgrill.

Brûleurs : Garantie LIMITÉE de 1 an contre la perforation.

Grilles de cuisson, allumage électronique : Garantie LIMITÉE de 1 ans

* Ne couvre pas les chutes, les écaillages, les éraflures ni les dommages à la surface.

Pièces en acier inoxydable : Garantie LIMITÉE de 1 ans contre la perforation.

* Ne couvre pas les problèmes cosmétiques telles que la corrosion de la surface, les éraflures et la rouille .

Toutes les autres pièces : Garantie LIMITÉE de 1 an

* Ne couvre pas l'écaillage, les éraflures, les fissures, la corrosion de la surface ou la rouille .

Une fois que le consommateur fournissant la preuve d'achat, tel qu'indiqué ci-contre, le fabricant répare ou remplace les pièces qui sont prouvées défectueuses pendant la période de garantie applicable. Les pièces requises pour l'exécution de ladite réparation ou le remplacement seront gratuites sauf pour les frais d'expédition, tant que l'acheteur soumet sa demande dans la période de garantie depuis la date d'origine de l'achat. L'acheteur-consommateur d'origine sera responsable des frais d'expédition des pièces remplacées selon les conditions de la présente garantie limitée. La présente garantie limitée est applicable aux États-Unis uniquement et uniquement disponible au propriétaire d'origine du produit. Elle *n'est pas transférable*. Le fabricant requiert une preuve raisonnable de votre date d'achat. Vous devez en conséquence conserver votre reçu d'achat et/ou facture. Si l'unité a été offerte en cadeau, demandez au donneur du cadeau d'envoyer le reçu en votre nom à l'adresse indiquée ci-dessous. Toute pièce défectueuse ou manquante soumise à la présente garantie limitée ne sera pas remplacée sans enregistrement ni preuve d'achat. La présente garantie limitée s'applique à la fonctionnalité du produit UNIQUEMENT et ne couvre pas les questions cosmétiques, telles que les éraflures, les bosses, les corrosions ou la décoloration résultant de la chaleur ou des agents de nettoyage chimique ou tout autre type d'outil utilisé pour l'assemblage ou l'installation de l'appareil, la rouille sur la surface ou la décoloration des surfaces en acier inoxydable. La rouille de la surface, la corrosion ou l'écaillage de la peinture en poudre sur les pièces métalliques n'affectent pas l'intégrité structurelle du produit et ne sont pas considérées comme défaut de fabrication ou de matériaux. En conséquence, ils ne sont pas couverts par la présente garantie. La présente garantie ne rembourse pas le coût de toute complication, aliment, blessure personnelle ni dommage matériel. Si une pièce de remplacement d'origine n'est pas disponible, une pièce de remplacement comparable sera envoyée. Vous serez responsable des frais d'expédition de toutes les pièces remplacées selon les conditions de la présente garantie limitée.

ÉLÉMENTS QUE LE FABRICANT NE REMBOURSE PAS :

Interventions pour réparation à votre domicile.

Réparations lorsque votre produit est utilisé pour une utilisation autre qu'une famille normale ou résidentielle.

Domage résultant d'accident, modification, utilisation erronée, manque de maintenance/nettoyage, abus, incendie, inondation, cas de force majeure, installation incorrecte et installation ne correspondant pas aux codes d'électricité ou de plomberie ou utilisation des produits non approuvés par le fabricant.

Toute perte d'aliment en raison de pannes de produit.

Pièces de remplacement ou coûts de main-d'œuvre pour la réparation pour les unités utilisées en dehors des États-Unis ou au Canada.

Prise en charge et livraison de votre produit.

Frais d'expédition ou de traitement des photos envoyées dans des documents.

Réparation des pièces ou des systèmes résultant de modifications non autorisées apportées au produit.

La prise en charge et/ou réinstallation de votre produit.

Coût d'expédition, standard ou expédié, pour les pièces sous garantie/non garantie et de remplacement.

CLAUSE DE DÉNÉGATION DE RESPONSABILITÉ DES GARANTIES IMPLICITES: LIMITES DES RECOURS

La réparation ou le remplacement des pièces défectueuses sont votre recours exclusif conformément aux conditions de la présente garantie limitée. Le fabricant n'est pas responsable des dommages directs ou accessoires découlant d'une infraction à la présente garantie limitée ou à toute autre garantie implicite applicable ou toute défaillance ou dommage résultant de cas fortuit, entretien et maintenance incorrects, incendie déclenché par la graisse, accident, modification, remplacement de pièces de marques fabriquées par tiers, utilisation erronée, transport, utilisation commerciale, abus, environnements hostiles (temps rudes, calamités naturelles, modifications par des animaux), installation inappropriée ou non conforme aux codes locaux ou aux instructions imprimées du fabricant.

LA PRÉSENTE GARANTIE EST LA SEULE GARANTIE EXPRESSE OFFERTE PAR LE FABRICANT. AUCUNE SPÉCIFICATION DE PERFORMANCE OU DESCRIPTION DU PRODUIT, WHEREVER IT APPEARS N'EST GARANTIE PAR LE FABRICANT SAUF DANS LA FORME TELLE QUE STIPULÉE DANS LA PRÉSENTE GARANTIE. TOUTE PROTECTION DE GARANTIE IMPLICITE DÉCOULE DES LOIS D'UN ÉTAT QUELCONQUE, Y COMPRIS GARANTIE IMPLICITE DE COMMERCIALISATION OU D'ADAPTABILITÉ DANS UN OBJECTIF OU EMPLOI PARTICULIER EST PAR LA PRÉSENTE LIMITÉE EN TEMPS À LA DURÉE STIPULÉE CI-CONTRE.

Ni les revendeurs ni l'établissement de vente au détail vendant ce produit n'ont le droit de proposer d'autres garanties supplémentaires ou de promettre des recours additionnels ou ne correspondant pas aux déclarations susmentionnées. La responsabilité maximum du fabricant, dans tous les cas, ne peut pas dépasser le prix d'achat documenté du produit réglé par le consommateur d'origine. La présente garantie ne s'applique qu'aux unités achetées auprès d'un vendeur au détail ou revendeur agréé. REMARQUE : Certains états n'autorisent pas l'exclusion ni la limite de dommages directs ou indirects, en conséquence certaines limites ou exclusions susmentionnées peuvent ne pas vous concerner ; la présente garantie limitée vous confère des droits spécifiques légaux tels que stipulés dans les présentes. Vous pouvez en outre bénéficier d'autres droits variant d'un état à un autre.

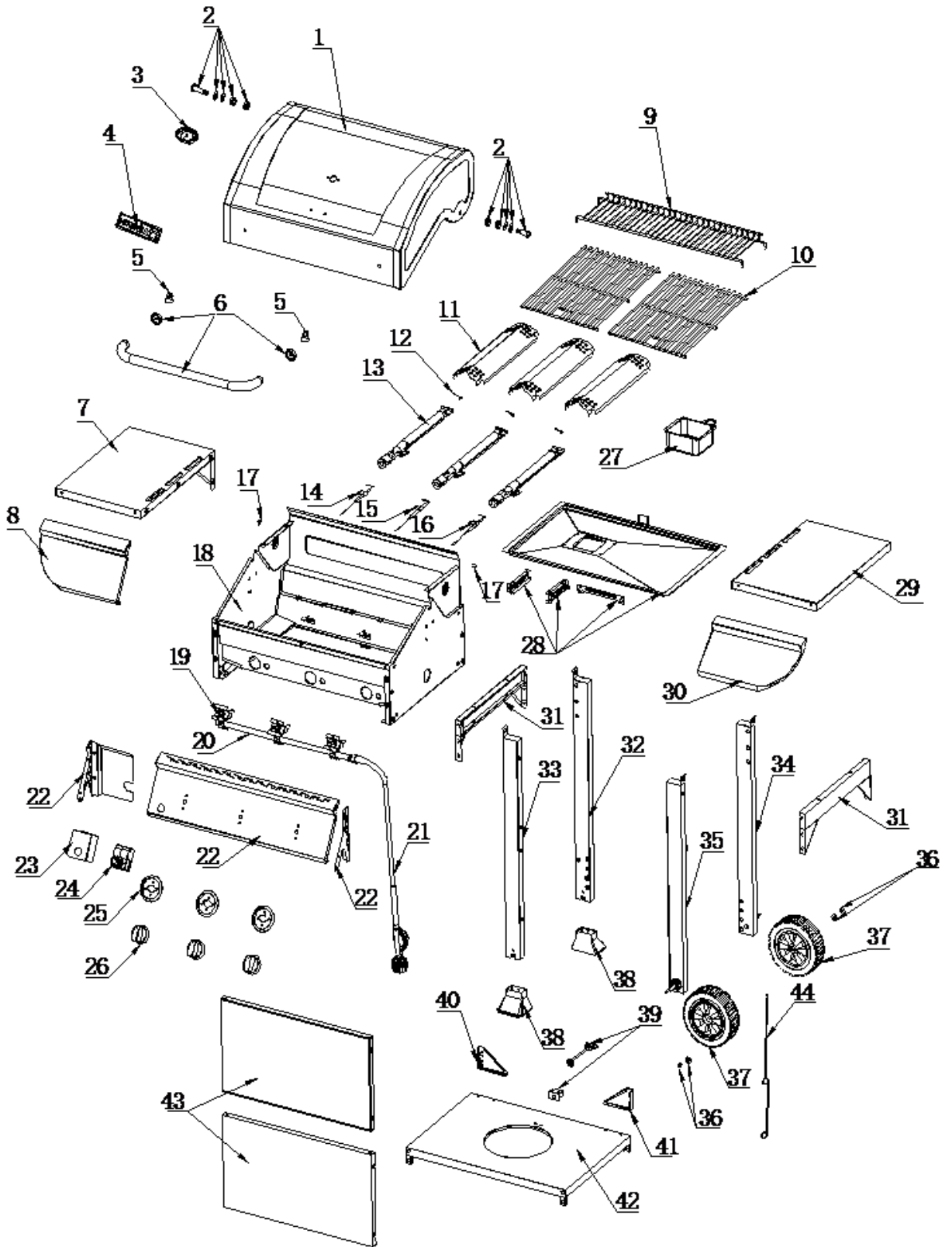
Pour faire valoir vos droits conformément à la présente garantie limitée, vous devez envoyer un courrier à :

Nexgrill's Customer Relations

14050 Laurelwood PI

Chino, CA 91710 U.S.A.

Pour toute assistance concernant un retour de marchandises, des questions d'ordre général et des problèmes de dépannage, veuillez contacter. le U.S.A:1- 800-913-8999.



Parts List

No.	Part (Description)	Warranty coverage (year)	QTY	No.	Part (Description)	Warranty coverage (year)	QTY
1	Main Lid	1	1	24	Pulse Igniter Module	1	1
2	Main Lid Screw	1	2	25	Bezel	1	3
3	Temperature Gauge	1	1	26	Control knob	1	3
4	Logo	1	1	27	Grease Cup	1	1
5	Hood Buffer A	1	2	28	Grease Tray Assembly	1	1
6	Main Lid Handle	1	1	29	Side Shelf, Right	1	1
7	Side Shelf, Left	1	1	30	Side Shelf Control Panel, Right	1	1
8	Side Shelf Control Panel, Left	1	1	31	Cart Frame	1	2
9	Warming Rack	1	1	32	Cart Leg Rear, Left	1	1
10	Cooking Grid w/Hole	1	2	33	Cart Leg Front, Left	1	1
11	Flame Tamer	1	3	34	Cart Leg Rear, Right	1	1
12	Burner Pin assembly	1	3	35	Cart Left front, Right	1	1
13	Main Burner	3	3	36	Wheel Screw Assembly	1	2
14	Main Burner Igniter A	1	1	37	Wheel	1	2
15	Main Burner Igniter B	1	1	38	Cart Caster Insert	1	2
16	Main Burner Igniter C	1	1	39	Tank Bolt	1	1
17	Hood Buffer B	1	2	40	Triangle Bracket, Left	1	1
18	Main Burner Bowl Assembly	Non-replaceable	1	41	Triangle Bracket, Right	1	1
19	Main Gas Valve	1	3	42	Cart Bottom Panel	1	1
20	Main Manifold	1	1	43	Cart Front Panel	1	2
21	Regulator , LP	1	1	44	Lighting Rod	1	1
22	Control Panel	1	1		Manual		1
23	Igniter Module Heat Shield	1	1		Hardware pack		1

Listado de las piezas

REF#	DESCRIPCIÓN	GARANTÍA	CANT.	REF#	DESCRIPCIÓN	GARANTÍA	CANT.
01	Tapa principal	1	1	24	Módulo del encendedor de pulso	1	1
02	Tornillo de la tapa principal	1	2	25	Bisel	1	3
03	Medidor de temperatura	1	1	26	Perilla de control	1	3
04	Logotipo	1	1	27	Recipiente para grasa	1	1
05	Tope de la cubierta A	1	2	28	Ensamble de la bandeja para grasa	1	1
06	Asiento del mango de la tapa principal	1	1	29	Estante lateral derecho	1	1
07	Estante lateral, lado izquierdo	1	1	30	Parte frontal de la mesa principal derecho	1	1
08	Panel delantero del estante lateral	1	1	31	Armazón del carro	1	2
09	Plataforma calentadora	1	1	32	Pata trasera izquierda del carro	1	1
10	Rejilla de cocción con agujeros	1	2	33	Pata delantera izquierda del carro	1	1
11	Domador de llama	1	3	34	Pata trasera derecha del carro	1	1
12	Perno R, A	1	3	35	Pata delantera derecha del carro	1	1
13	Mechero principal	3	3	36	conjunto de tornillo de la rueda	1	2
14	Cable A del encendedor del mechero principal	1	1	37	Rueda	1	2
15	Cable B del encendedor del mechero principal	1	1	38	Inserción de la roldana del carro	1	2
16	Cable C del encendedor del mechero principal	1	1	39	Perno del tanque	1	1
17	Tope de la cubierta B	1	2	40	Abrazadera triangular derecha	1	1
18	Ensamble de la cuba del mechero principal	No reemplazable	1	41	Abrazadera triangular izquierda	1	1
19	Válvula de gas principal	1	3	42	carrito panel inferior	1	1
20	Colector principal	1	1	43	carrito panel frontal	1	2
21	Regulador, del propano líquido	1	1	44	Varilla de encendido	1	1
22	Panel de control	1	1		Manual		1
23	Encendedor módulo del protector del calor	1	1		Paquete de equipos		1

Liste des pièces

RÉF.	DESCRIPTION	GARANTIE COUVERTU RE	QT É	RÉF.	DESCRIPTION	GARANTIE COUVERTUR E	QTÉ
01	Couvercle principal	1	1	24	Module pour allumage à impulsions	1	1
02	Vis du couvercle principal	1	2	25	Collerette	1	3
03	Indicateur de température	1	1	26	Bouton de commande	1	3
04	Logo	1	1	27	Réceptacle à graisse	1	1
05	Amortisseur hotte A	1	2	28	Assemblage du réceptacle à graisse	1	1
06	Logement de la poignée du couvercle principal	1	1	29	Étagère latérale, droite	1	1
07	Étagère latérale, gauche	1	1	30	Panneau avant de la tablette latérale, droite	1	1
08	Panneau de l'étagère latérale, avant	1	1	31	Cadre du chariot	1	2
09	Grille chauffante	1	1	32	Pied du chariot, arrière gauche	1	1
10	Grille de cuisson avec trou	1	2	33	Pied du chariot, avant gauche	1	1
11	Dispositif de contrôle des flammes	1	3	34	Pied du chariot, arrière droit	1	1
12	Goupille R A	1	3	35	Pied du chariot, avant droit	1	1
13	Brûleur principal	3	3	36	ensemble de vis de roue	1	2
14	Fil d'allumage du brûleur principal A	1	1	37	Roue	1	2
15	Fil d'allumage du brûleur principal B	1	1	38	Insertion de la roulette du chariot	1	2
16	Fil d'allumage du brûleur principal C	1	1	39	Boulon de réservoir	1	1
17	Amortisseur hotte B	1	2	40	Support triangulaire, droit	1	1
18	Assemblage du bol de brûleur principal	Non remplaçable	1	41	Support triangulaire, gauche	1	1
19	Valve de gaz principale	1	3	42	panier panneau inférieur	1	1
20	Collecteur principal	1	1	43	panier panneau avant	1	2
21	Régulateur, PL	1	1	44	Batonnet d'allumage	1	1
22	Panneau de commande	1	1		Manuel		1
23	Allumeur Module bouclier thermique	1	1		Paquet de quincaillerie		1