



Portable Stainless Steel Gas Grill

ITM. / ART. 559263

Model #: 820-0007

ASSEMBLY INSTRUCTIONS

IMPORTANT: RETAIN FOR FUTURE

REFERENCE: READ CAREFULLY

Gril au gaz portatif en acier inoxydable

ITM. / ART. 559263

Modèle : 820-0007

INSTRUCTIONS DE MONTAGE

IMPORTANT : CONSERVER POUR

RÉFÉRENCE FUTURE :

LIRE ATTENTIVEMENT

Parrilla portable del gas del acero inoxidable

ITM. / ART. 559263

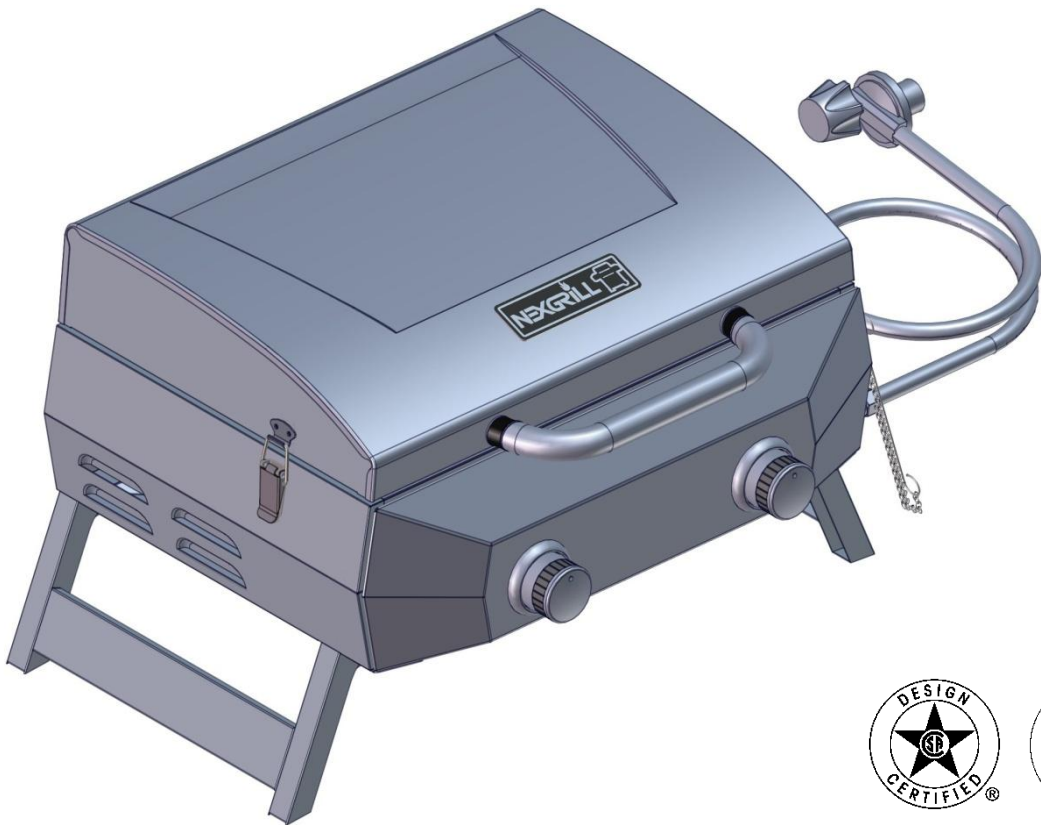
Numero de Modelo: 820-0007

INSTRUCCIONES DE ENSAMBLE

IMPORTANTE, RETIENE ESTE

MANUAL PARA REFERENCIA: LEA

CUIDADOSAMENTE.



19000422A2

## Table of Contents

Replacement Parts List.....	3
Package Parts List.....	5
Assembly Instructions.....	5
Operation Instruction Manual.....	8

## Mesures de sécurité

Liste des pièces de rechange.....	3
Liste des pièces de l'emballage.....	5
Consignes pour l'assemblage.....	5
Manuel d'utilisation d'instructions.....	20

## Índice

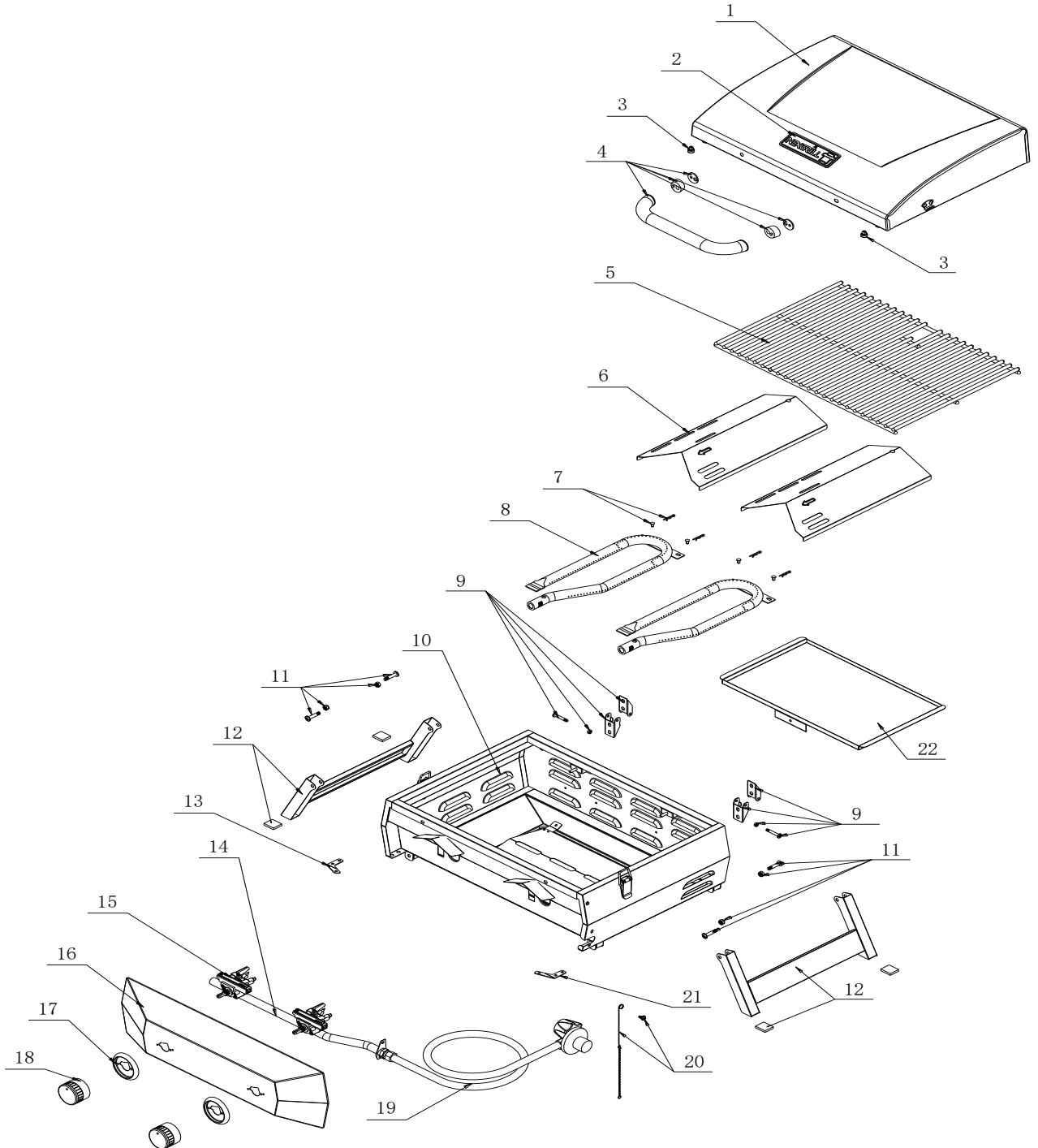
Lista de control de partes .....	4
Lista de contenidos del paquete.....	5
Instrucciones de armado.....	5
Instrucciones de Uso.....	33

**FOR OUTDOOR USE ONLY / POUR UTILISATION À L'EXTÉRIEUR UNIQUEMENT / SOLO PARA USAR AL AIRE LIBRE**

For replacement part, contact call our customer service department at 1- 866-984-7455 in USA and 1-800-648-5864 in Canada, language spoken: English, Spanish, French 8 a.m.-5 p.m., PST. Monday-Friday. CostcoService@grillservices.com.

Pour les pièces de rechange, contactez notre service clientèle au 1-866-984-7455 aux États-Unis et 1-800-648-5864 au Canada, de la langue parlées: Anglais, Espagnol, Français entre 8h00 et 17h00, HNP, du Lundi au Vendredi. CostcoService@grillservices.com.

Para obtener un reemplazo del product. Porfavor, llame al Departamento de Servicio al Cliente al 1-866-984-7455 en los E.U. y 1-800-648-5864 en Canada. Lenguages ablados: Ingles, Espanol, y Frances de 8 a.m.-5 p.m., PST. Lunes –Viernes. CostcoService@grillservices.com.



## Replacement Parts List

No.	Part (Description)	Warranty coverage (year)	QTY	No.	Part (Description)	Warranty coverage (year)	QTY
1	Main lid	3	1	13	Firebox bracket, left	1	1
2	Logo	1	1	14	Main manifold	1	1
3	Hood buffer	1	2	15	Gas valve	1	2
4	Main lid handle assembly	1	1	16	Control panel	3	1
5	Cooking grid with hole	1	1	17	Bezel	1	2
6	Flame tamer	1	2	18	Control knob	1	2
7	Main burner screw assembly	1	4	19	Regulator, LP	1	1
8	Main burner (question mark)	3	2	20	Lighting rod	1	1
9	Main lid hinge	1	2	21	Firebox bracket, right	1	1
10	Main firebox bowl assembly	Non-replaceable	1	22	Grease tray	1	1
11	Stage screw	1	4		Manual		1
12	Foldable leg assembly	1	2				

## Liste des pièces de rechange

N°	Pièce (description)	Couverture de la garantie (année)	QTÉ	N°	Pièce (description)	Couverture de la garantie (année)	QTÉ
1	Couvercle principal	3	1	13	Support de la chambre de cuisson, gauche	1	1
2	Logo	1	1	14	Collecteur principal	1	1
3	Amortisseur de la hotte	1	2	15	Valve de gaz	1	2
4	Poignée du couvercle principal	1	1	16	Panneau de commande	3	1
5	Grille de cuisson avec trou	1	1	17	Collerette	1	2
6	Dispositif de contrôle des flammes	1	2	18	Bouton de commande	1	2
7	Vis de brûleur principal	1	4	19	Régulateur, PL	1	1
8	Brûleur principal	3	2	20	Bâtonnet d'allumage	1	1
9	Charnière du couvercle principal	1	2	21	Support de la chambre de cuisson, droite	1	1
10	Bol de la chambre de cuisson principale	Non remplaçable	1	22	Plateau à graisse	1	1
11	Vis	1	4		Manuel		1
12	Pied pliable	1	2				

## Lista de control de partes

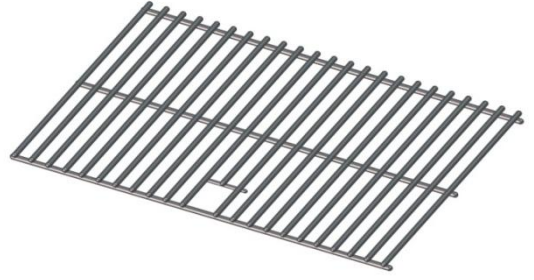
No.	Pieza (Descripción)	Cobertura de garantía (año)	CANT.	No.	Pieza (Descripción)	Cobertura de garantía (año)	CANT.
1	Tapa principal	3	1	13	Abrazadera izquierda del fogón	1	1
2	Logotipo	1	1	14	Colector principal	1	1
3	Tope de la cubierta	1	2	15	Válvula de gas	1	2
4	Conjunto principal del mango de la tapa	1	1	16	Panel de control	3	1
5	Rejilla de cocción con agujero	1	1	17	Bisel	1	2
6	Regulador de flama	1	2	18	Perilla de control	1	2
7	Ensamble del tornillo del mechero principal	1	4	19	Regulador, del propano líquido	1	1
8	Mechero principal (signo de interrogación)	10	2	20	Varilla de encendido	1	1
9	Bisagra de la tapa principal	1	2	21	Abrazadera izquierda del fogón	1	1
10	Ensamble de la cuba del fogón principal	No reemplazable	1	22	Recipiente para grasa	3	1
11	Tornillo tira fondo	1	4		Manual		1
12	Pata plegable	1	2				

Package parts List  
Liste des pièces de l'emballage  
Lista de contenidos del paquete

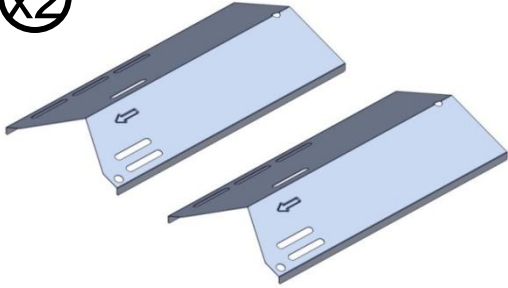
1



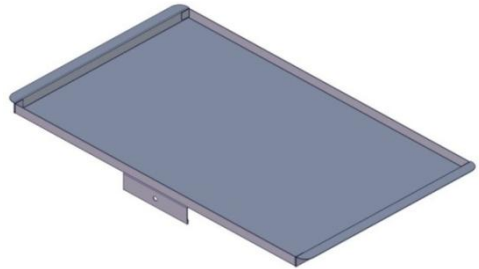
2



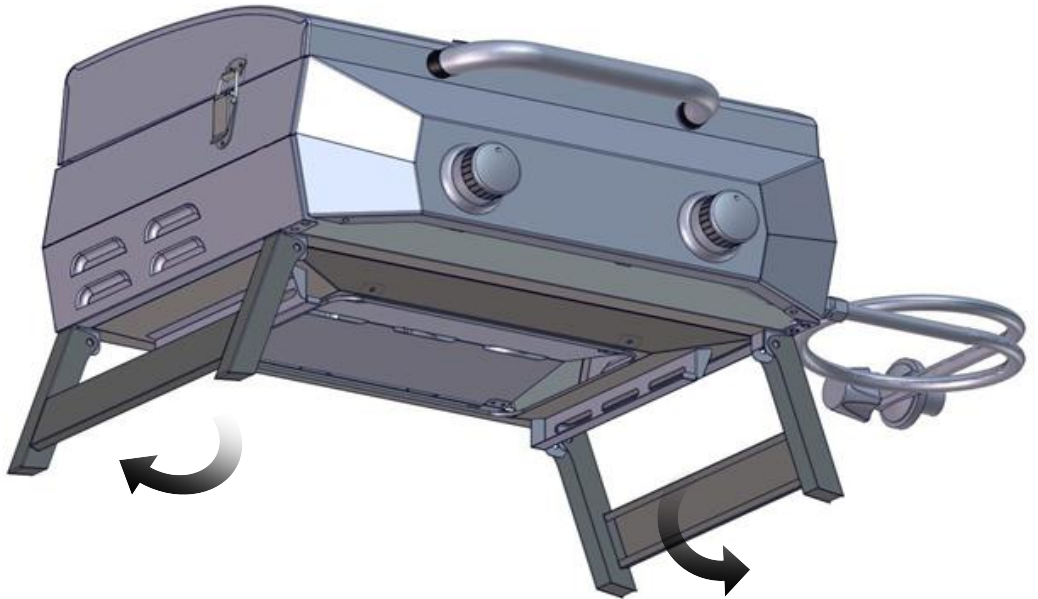
3 x2



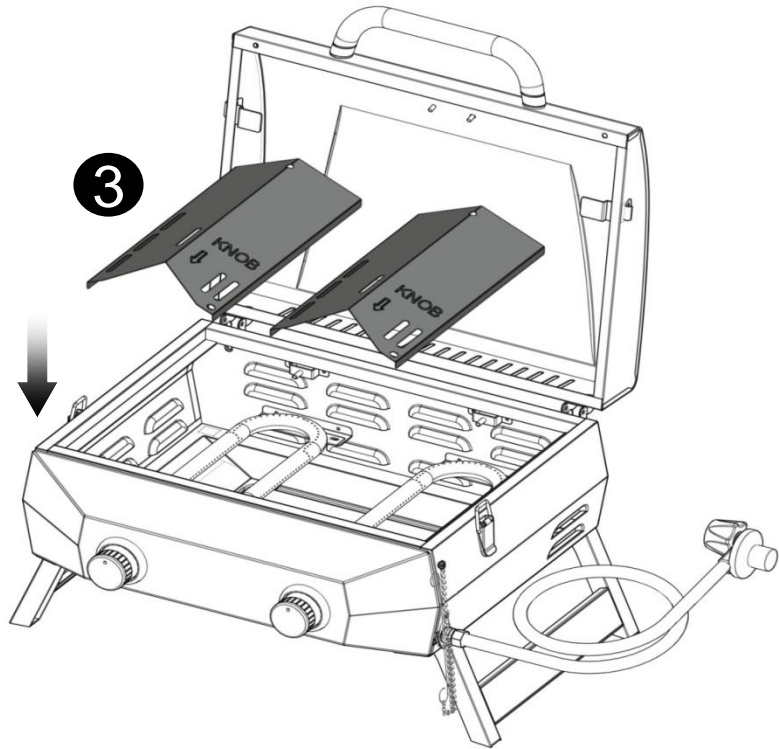
4



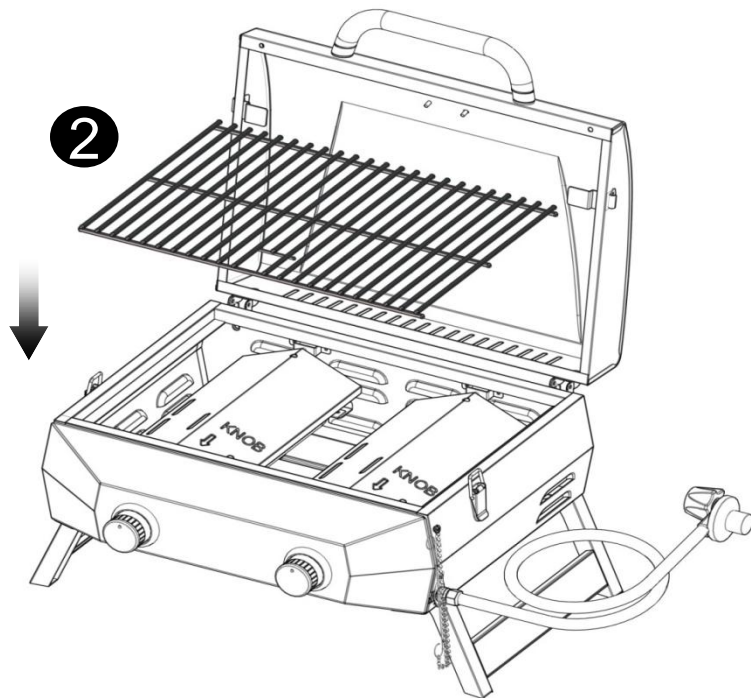
1



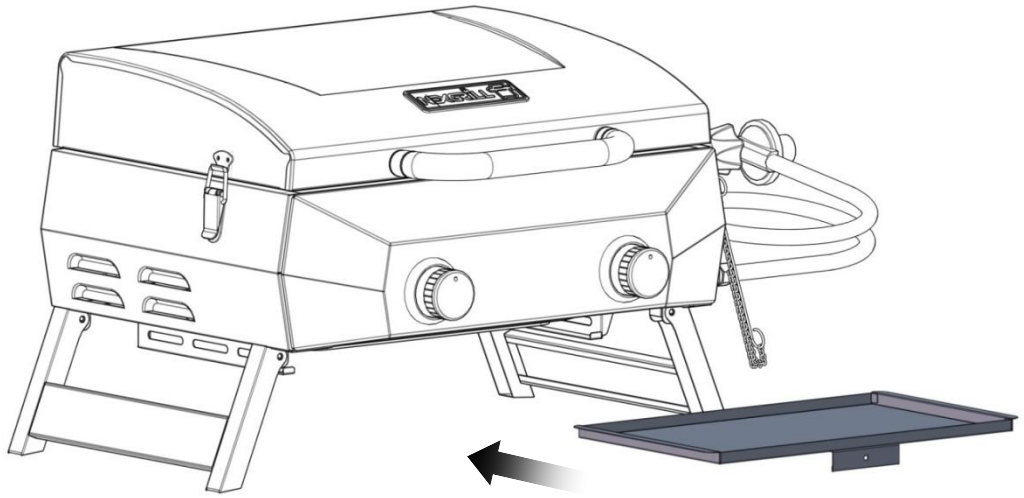
2



3

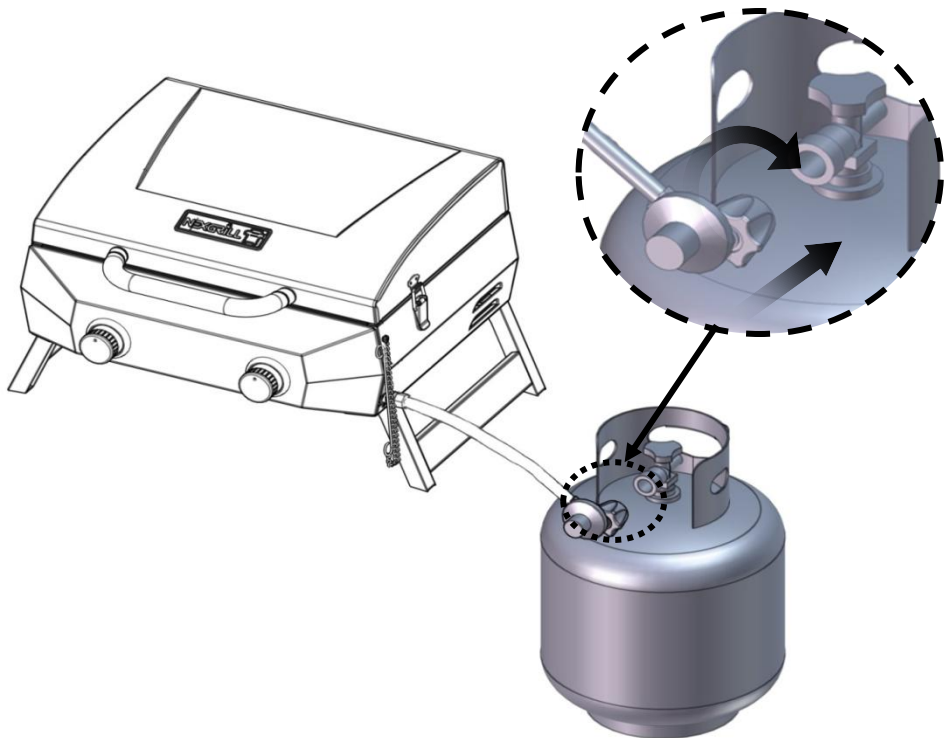


4



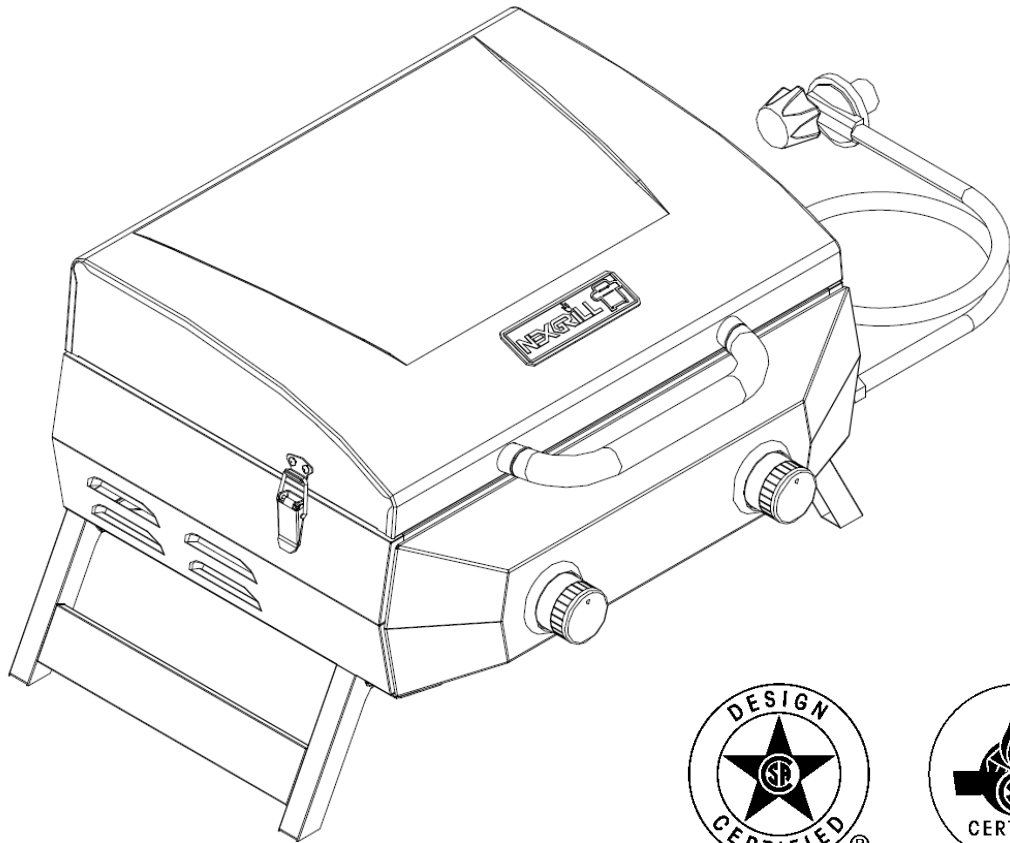
4

5





# Operation Instruction Manual



19000422A2

SERIAL # \_\_\_\_\_ MFG. DATE \_\_\_\_\_ PURCHASE DATE: \_\_\_\_\_

- **This instruction manual contains important information necessary for the proper assembly and safe use of the appliance.**
- **Read and follow all warnings and instructions before assembling and using the appliance.**
- **Follow all warnings and instructions when using the appliance.**
- **Keep this manual for future reference.**



**Questions, problems, missing parts?** Before returning to your retailer, call our Customer Service Department at 866-984-7455 in USA and 800-648-5864 in Canada from 8 a.m. to 5 p.m. PST Monday-Friday. Languages spoken: English, Spanish and French. You can also reach us by email at: [CostcoService@grillservices.com](mailto:CostcoService@grillservices.com).



## TABLE OF CONTENTS

Table of Contents and Warning.....	9	Operation Instructions.....	14
Safety Information.....	10	Care and Maintenance.....	15
Preparation.....	12	Troubleshooting.....	17
Installation Instructions.....	12	Warranty.....	18

### **DANGER**

If you smell gas:

1. Shut off gas to the appliance.
2. Extinguish any open flame.
3. Open lid.
4. If odor continues, keep away from the appliance and immediately call your gas supplier or local fire department.

Failure to follow these instructions could result in fire, explosion or burn hazard, which could cause property damage, personal injury or death.

### **DANGER**

1. Never operate this appliance unattended.
2. Never operate this appliance within 3.05 m / 10 ft of any structure, combustible material or other gas cylinder.
3. Never operate this appliance within 7.62 m / 25 ft of any flammable liquid.
4. Do not fill cooking vessel beyond maximum fill line.
5. Heated liquids remain at scalding temperatures long after the cooking process. Never touch cooking appliance until liquids have cooled to 46°C / 115°F or less.
6. This appliance is not intended for and should never be used as a heater.
7. If a fire should occur, keep away from the appliance and immediately call your fire department. Do not attempt to extinguish an oil or grease fire with water.

Failure to follow these instructions could result in fire, explosion or burn hazard, which could cause property damage, personal injury or death.

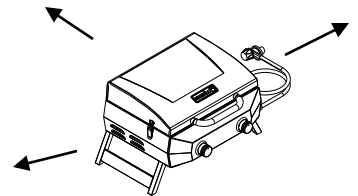


## SAFETY INFORMATION

Please read the following instructions carefully before attempting to assemble, operate or install the product. Failure to follow these instructions may result in serious bodily injury and / or property damage. If you have questions regarding the product, please call our customer service department at 1- 866-984-7455 in USA and 1- 800-648-5864 in Canada. Languages spoken: English, Spanish and French 8 a.m.-5 p.m. PST Monday-Friday. CostcoService@grillservices.com.

LP gas supply cylinder to be used must be constructed and marked in accordance with the specifications for LP gas cylinders of the U.S. Department of Transportation (DOT) or the National Standard of Canada, CAN-B339, Cylinders, Spheres and Tubes for the Transportation of Dangerous Goods.

1. The installation must conform with local codes or, in the absence of local codes, with the National Fuel Gas Codes, the National Fuel Gas Code, ANSI Z223.1 / NFPA 54, Storage and Handling of Liquefied Petroleum Gases, ANSI / NFPA 58, or the Standard for Recreational Vehicles, ANSI A119.2 / NFPA 1192, and the Recreational Vehicle Code, CSA Z240 RV, as applicable.
2. Tabletop grill is for outdoor use only. Grill should be operated in a well-ventilated space. Never operate in an enclosed space, garage or building. Your grill is not intended to be installed in or on recreational vehicles and / or boats .
3. Heated liquids remain at scalding temperatures long after the cooking process. Do not touch the cooking appliance until liquids have cooled to 46° C / 115° F or lower.
4. Do not install or use grill within 91.44cm / 36 in of combustible materials from back and sides of grill. Grill shall not be located under overhead surfaces (closed carport, garage, porch, patio) that can catch fire.
5. Never attempt to attach this grill to the self-contained LP gas system of a camper trailer or motor home.
6. It is the responsibility of the assembler / owner to assemble, install and maintain gas grill. Do not let children and pets operate or play near your tabletop grill. Failure to follow these instructions could result in serious personal injury and / or property damage.
7. Remove lid before lighting grill. When grill is not in use, turn off control knob on LP gas cylinder.
8. Carefully follow instructions in this manual for proper assembly and leak-testing of your grill. Do not use grill until leak checked. If leak is detected at any time, it must be stopped and corrected before using grill further.
9. Appliance area should be kept clear and free from combustible materials, gasoline, bottled gas in any form and other flammable vapours and liquids. Do not obstruct flow of combustion and ventilation air.
10. Never try to light grill with lid closed! Buildup of gases is very dangerous and could cause an explosion.
11. Keep any electrical cord or fuel supply hose away from heated surfaces.
12. Propane is a flammable gas and improper handling may result in explosion and / or fire and serious accident or injury.
13. This appliance will be hot during and after use. Use insulated oven mitts or gloves for protection from hot surfaces or splatter from cooking liquids.
14. Do not leave your grill unattended while in operation.
15. Do not use while under the influence of drugs or alcohol.
16. Do not store any spare LP (propane) cylinder, full or empty, under or near your grill.
17. Appliance is not intended for commercial use or rental.
18. The cylinder must be disconnected when the appliance is not in use.



### NATURAL HAZARD • SPIDERS

FACT: Sometimes spiders and other small insects climb into the burner tube. The spiders spin webs, build nests and lay eggs. The webs or nests can be very small, but they are very strong and can block the flow of gas. Clean burner prior to use after storing, at the beginning of grilling season or after a period of one month not being used.



## SAFETY INFORMATION

### The Fuel System:

Gas grills are used safely by millions of people when following simple safety precautions.

The items in the fuel system are designed for operation with this grill. They must not be replaced with any other brand. (See parts list for replacement items.)

**GAS BURNER:** The gas burner is constructed of stainless steel and should not require maintenance other than inspection for insects / nests inside the air intake slots.

### LP GAS REGULATOR CAUTION:

The gas pressure regulator provided with this appliance must be used. This regulator is equipped with the required orifice and is set for the required outlet pressure for this appliance. This combination of orifice size and pressure regulation specifications provides the cooking performance intended by Nexgrill Tabletop Grill. Substitution of regulator by any other device or any other manufacturer is dangerous and could result in serious injury.

### FUEL SUPPLY HOSE:

The hose-connected regulator provided with this appliance is 91.44 cm / 3 ft length. Keep the fuel hose away from any heated surface(s).

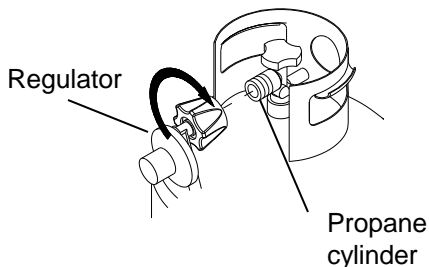
**PROPANE FUEL: Warning** - propane is a flammable gas. Improper handling may result in an explosion and / or fire and serious accident or injury. Your grill is designed to operate with propane (LP) gas only and is equipped with the proper orifice for propane gas.

**Caution:** Do not connect this grill with any gas supply other than propane. Propane gas is heavier than air and settles in lower areas. Make certain adequate ventilation is available when using your grill. The gas cylinder may be stored outside in a well-ventilated area out of the reach of children when the grill is not in use.

The LP gas cylinder shall be used only outdoors in a well-ventilated space and not in a building, garage, or any other enclosed area. The Nexgrill Tabletop Grill may be stored indoors if the LP gas cylinder is removed and stored outdoors. The LP gas cylinder (not included) is threaded for connection directly to the gas regulator supplied with this appliance. Care should be taken when threading the cylinder to the regulator to engage threads correctly to achieve the proper and intended connection. When disconnecting or connecting the gas cylinder, be careful that the regulator does not strike the grill, the ground, or any other surfaces. Replace the protective cap over the threaded cylinder connection when removed from grill. If any difficulty occurs when connecting or disconnecting the cylinder to the regulator assembly, contact your local gas supplier for assistance.

When reconnecting the LP gas cylinder to the regulator, be sure to hand-tighten until snug. This connection should be inspected for damage and leak-tested after each reconnection.

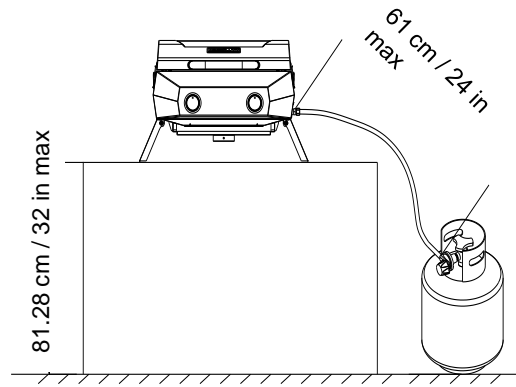
**To Do a Leak Test**, make a soap solution of one part liquid detergent and one part water. You will need a spray bottle, brush, or rag to apply the solution to the fitting. Bubbles indicate leaks.



Check all gas supply fittings for leaks before each use. Do not use the grill until all connections have been checked and do not leak.

## **WARNING**

- Always operate the grill on a tabletop, no higher than 81.28 cm / 32 in.
- Place the propane tank on the ground immediately adjacent to the tabletop, no further than 61 cm / 24 in from the grill.
- Failure to follow these instructions could cause the propane tank to overheat and vent propane, which could ignite, causing serious personal injuries or property damage and / or a tripping hazard over the gas hose or propane tank, pulling the grill off the tabletop, causing serious personal injuries or property damage.



## **PREPARATION**

Before beginning assembly, installation or operation of product, make sure all parts are present. Compare parts with package contents list and diagram above. If any part is missing or damaged, do not attempt to assemble, install or operate the product. Contact customer service for replacement parts.

- Your Nexgrill Tabletop Grill is pre-assembled. The only assembly required is to connect the foldable legs and place the flame tamers, cooking grid and control knobs into the grill.
- Estimated Assembly Time: 5 minutes.

## **INSTALLATION INSTRUCTIONS**

### **GAS HOOK-UP**

Only the pressure regulator and hose assembly supplied with the grill should be used. Any replacement pressure regulator and hose assembly must be specified by the grill manufacturer. This grill is configured for liquid propane. Do not use a natural gas supply.

Total gas consumption (per hour) with all burners set on "HIGH":

<u>Main burners</u>	<u>20,000 BTU / Hr.</u>
Total	20,000 BTU / Hr.

The installation of this appliance must conform with local codes or, in the absence of local codes, with either the National Fuel Gas Code, ANSI Z223.1 / NFPA 54, National Gas Propane Installation Code, CSA B149.1, or Propane Storage and Handling Code, B149.2, or the Standard for Recreation Vehicles, ANSI A119.2 / NFPA 1192, and CSA Z240 RV Series, Recreation Vehicle Code, as applicable.

### **LIQUID PROPANE CYLINDER REQUIREMENTS**

#### **(9.07 kg / 20-lb Cylinder)**

A dented or rusty liquid propane cylinder may be hazardous and should be checked by your supplier. Never use a cylinder with a damaged valve. The liquid propane cylinder must be constructed and marked in accordance with the specifications for liquid propane cylinders by the United States Department of Transportation (DOT) or the National Standard of Canada, CAN / CSA-B339, Cylinders, Spheres and Tubes for Transportation of Dangerous Goods Commission.

The 9.07 kg / 20-lb cylinder must have a shut-off valve terminating in a valve outlet specified, as applicable, for connection type QCC1 in the standard for compressed gas cylinder valve outlet and inlet connection ANSI / CGA-V-1.

Storage of an outdoor cooking gas appliance indoors is permissible only if the cylinder is disconnected and removed from the outdoor cooking gas appliance. The cylinder system must be arranged for vapour withdrawal. The cylinder must include a collar to protect the cylinder valve.

Manifold pressure: (operating) 27.94 cm / 11 in water column (W.C.), (non-operating) 28.45 cm / 11.2 in water column (W.C.).

The Liquid Propane cylinder must be fitted with an overfill protection device (OPD).

Remove the plastic valve cover from the liquid propane cylinder. Make sure the grill gas hoses do not contact the grease pan or grill firebox when the liquid propane cylinder is placed into the cart.

## CONNECTING THE LIQUID PROPANE CYLINDER

To connect the liquid propane gas supply cylinder:

The cylinder valve should be in the "OFF" position. If not, turn the valve clockwise until it stops.

Make sure the cylinder valve has the proper type-1 external male thread connections per ANSI Z21.81.

Make sure the burner valves are in the "OFF" position.

Inspect the valve connections, port and regulator assembly. Remove debris and inspect the hose for damage.

When connecting the regulator assembly to the valve, use your hand to tighten the nut clockwise until it stops.

Use of a wrench could damage the quick-coupling nut and result in a hazardous situation

Open the cylinder valve fully by turning the valve counterclockwise.

Before lighting the grill, use a soap and water solution to check all the connections for leaks.

If a leak is found, turn the cylinder valve "OFF" and do not use the grill until a local liquid propane dealer can make repairs.

### **WARNING**

Never attempt to use damaged or obstructed equipment. See your local liquid propane dealer for repair.

## **INSTALLATION INSTRUCTIONS**

### **DISCONNECTING THE LIQUID PROPANE CYLINDER**

Turn the grill burner valves "OFF" and make sure the grill is cool.

Turn the liquid propane cylinder valve "OFF" by turning clockwise until it stops.

Detach the regulator assembly from the cylinder valve by turning the quick-coupling nut counterclockwise.

Place dust cap on cylinder valve outlet whenever the cylinder is not in use. Only install the type of dust cap on the cylinder valve outlet that is provided with the cylinder valve. Other types of caps or plugs may result in leakage of propane.

### **LEAK TESTING**

#### **GENERAL**

Although gas connections on the grill are leak-tested prior to shipment, a complete leak test must be performed at the installation site. Before each use, check all gas connections for leaks using the procedures listed below.

If the smell of gas is detected at any time, you should immediately check the entire system for leaks.

#### **BEFORE TESTING**

Make sure all packing materials have been removed from the grill, including the burner tie-down straps.

### **WARNING**

Check all gas supply fittings for leaks before each use. Do not use the grill until all connections have been checked and do not leak. Do not smoke while leak-testing. Never leak-test with an open flame.

Make a solution of one part liquid detergent and one part water. You will need a spray bottle, brush, or rag to apply the solution to the fittings. For the initial leak test, make sure the liquid propane cylinder is full.

#### **TO TEST**

1. Turn the burner valves off.
2. Turn the liquid propane cylinder valve counterclockwise to open the valve.
3. Apply the soap solution to all gas fittings. Soap bubbles will appear where a leak is present.
4. If a leak is present, immediately turn the gas supply "OFF" and tighten leaky fittings.
5. Turn the gas back "ON" and recheck.
6. Should the gas continue to leak from any of the fittings, turn the gas supply "OFF" and contact customer service department at 1-866-984-7455 in USA and 1-800-648-5864 in Canada. Languages spoken: English, Spanish and French 8 a.m.-5 p.m. PST Monday-Friday.  
CostcoService@grillservices.com.
7. If there is evidence of excessive abrasion or wear, or the hose is cut, it must be replaced prior to the outdoor cooking gas appliance being put into operation.

Only those parts recommended by the manufacturer should be used on the grill. Substitutions will void the warranty.

### **WARNING**

Do not store grill indoors unless the cylinder is disconnected. Do not store cylinder in a building, garage, or any other enclosed area, and keep out of reach of children at all times.

## INSTALLER FINAL CHECK

Maintain specified clearance of 61 cm / 24 in from combustible materials and construction.

- All internal packaging has been removed.
- The hose and regulator are properly connected to the liquid propane cylinder.
- The unit has been tested and is free of leaks.
- The gas supply shutoff valve has been located.
- All burners are installed.
- Keep the instruction manual for future reference

### **! WARNING**

1. The grill and its individual shutoff valve must be disconnected from the gas supply piping system during any pressure testing of that system at test pressure in excess of 3.5 kpa / 0.5 psi.
2. The outdoor cooking gas appliance must be isolated from the gas supply piping system by closing its individual manual shutoff valve during any pressure testing of the gas supply piping system at test pressure equal to or less than 3.5 kpa / 0.5 psi.

### **! WARNING**

1. Do not store spare liquid propane cylinders under or near this appliance.
2. Never fill the cylinder beyond 80 percent capacity.
3. If the information in items 1 and 2 is not followed exactly, a fire causing death or serious injury may occur.

## OPERATION INSTRUCTIONS

### LIGHTING THE GRILL

1. Place the legs in up position.
2. Make sure the propane cylinder is tightly treaded into the regulator (hand-tighten only).
3. Open lid. Always open lid when lighting.
4. Push and turn main burner knob slowly to HIGH (ÉLEVÉ) as show in Fig. 8, burner should light immediately.
5. If ignition does not occur within 3-5 seconds, turn the control knob "OFF." Wait 5 minutes before attempting to re-light the grill. If the grill fails to ignite after the second attempt, call our customer service department at 1- 866-984-7455 in USA and 1-800-648-5864 in Canada. Languages spoken: English, Spanish and French 8 a.m.-5 p.m. PST Monday-Friday. [CostcoService@grillservices.com](mailto:CostcoService@grillservices.com) for assistance. With burner lit, gently close the lid and allow the grill to warm up for 20-30 minutes prior to use.

**Note:** If the knob can't spark, insert the match into the lighting rod as shown in Fig. 9. Ignite the match and insert through the cooking grids to the burner.

Fig. 9

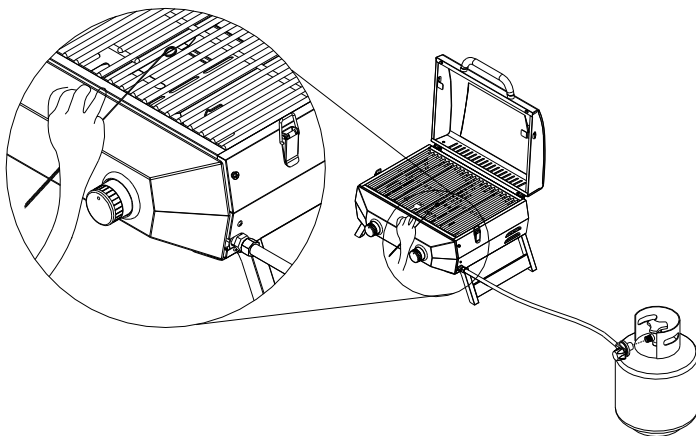
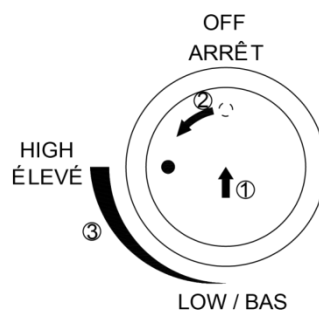
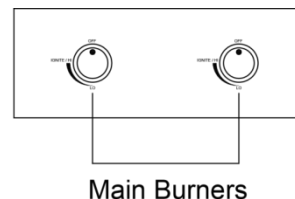


Fig. 8



1. Push
2. Turn knob to HIGH (ÉLEVÉ)
3. Adjust flame

## TURNING THE GRILL OFF

1. Turn knob to “OFF” position.
  2. Turn the propane cylinder control knob to the “OFF” position.
- Caution:** Do not attempt to re-light the grill without following all the lighting instructions.
3. Allow the grill body to cool at least 30 minutes before attempting to move or transport.

## OPERATION INSTRUCTIONS

### FLAME CHARACTERISTICS

Check for proper burner flame characteristics. Burner flames should be blue and stable with no yellow tips, excessive noise, or lifting, as shown in Fig. 10. The following steps should be followed for correcting the flame characteristics:

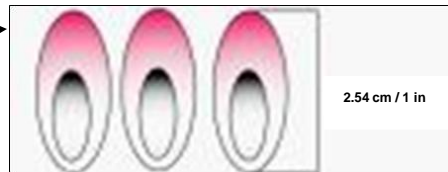
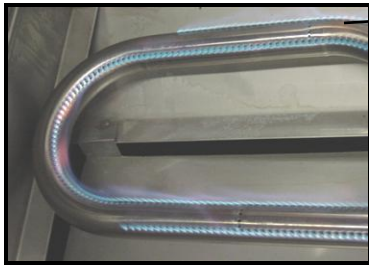
Turn the control knobs and liquid propane cylinder valves “OFF.”

Allow the grill and burners to cool.

If the flame is yellow (not enough air), turn the adjustment screw found at the front of the burner counterclockwise.

If the flame is noisy or lifts away from the burner (too much air), turn the adjustment screw clockwise.

If these adjustments do not correct the problem, contact our customer service department at 1- 866-984-7455 in USA and 1-800-648-5864 in Canada. Languages spoken: English, Spanish and French 8 a.m.-5 p.m. PST Monday-Friday. [CostcoService@grillservices.com](mailto:CostcoService@grillservices.com).



Visually check the burner flames prior to each use; the flames should look like this picture. If they do not, refer to the burner maintenance part of this manual.

**Fig. 10**

### USING THE GRILL

1. Find a level surface to grill on.
2. Allow the grill to warm up with the lid closed for 5 minutes prior to cooking.
3. You may cook on the grill in any weather. If the temperature is extremely cold or hot, the cooking times will be slightly increased or decreased. Keep the grill out of excessive winds when operating.
4. The cooking times listed below are only suggestions. Cooking times vary depending on thickness of meats and the desired degree of preparation.

### GRILLING

- Steak – (T-Bone), thick cut, medium doneness: grill 10 minutes on each side on MED setting.
- Chicken – (Quarters), average-size fryer: grill 30 minutes per side on MED setting. Check for doneness.
- Pork – (Ribs / chops): grill 10-20 minutes per side on MED setting. Check for doneness.
- Fish – grill 20-30 minutes on LOW setting.
- Turkey – (Breast): grill 10 minutes per 0.5kg or per pound or until internal temperature reaches 76° C / 170° F on MED setting.

## CARE AND MAINTENANCE

There is very little care and maintenance needed. The Tabletop Grill is designed and made of materials that will last many years with normal use. Following these instructions will improve the longevity of the grill and quality of cooking. To ensure safe operation of your grill, the area of cooking should always be kept free of combustible materials of any type, such as gasoline or other flammable vapours or liquids. Outside Grill Parts – This is stainless steel. It can be cleaned easily with warm soapy water or any stainless-steel cleaner.

Cooking Grid and Grease Tray – The cooking grid is made of stainless steel. The cooking grid should be brushed with a steel brush immediately after cooking, while the grill is still warm. The grease tray is also stainless steel and can be cleaned with a flat scraper such as a putty knife.

**Caution:** The grease tray must be kept clean and free of heavy buildup for the grill to perform properly and to eliminate flare-ups.

## CARE AND MAINTENANCE

**Main Grill Burners** – Extreme care should be taken when removing a burner. It must be correctly centred on the orifice before any attempt is made to relight the grill. Frequency of cleaning will depend on how often you use the grill.

Failure to properly place the burner over the orifice could cause a fire to occur behind and beneath the valve panel, thereby damaging the grill and making it unsafe to operate.

Before cleaning, make sure the gas supply and control knobs are in the “OFF” position and the burners have cooled.

To remove the main burners for cleaning:

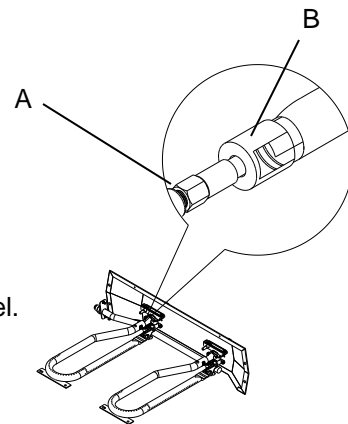
1. Locate the burner screw at the rear of the firebox.
2. Remove the screw and lift the burner out of the firebox.

To clean the grill burners:

1. Clean the exterior of the burner with a wire brush. Use a metal scraper for stubborn stains or debris.
2. Clear clogged ports with a straightened paper clip. Never use a wooden toothpick as it may break off and clog the port.
3. Check and clean burners / venturi tubes for insects and insect nests. A clogged tube can lead to a fire beneath, and behind the main control panel.

To reinstall the main burners:

1. Insert the burner over the main burner gas valve.
2. Make sure the orifice spud (A) is inside the burner venturi (B) as shown in Fig. 11.
3. Align the burner screw hole with the firebox hole, insert screw and tighten.



**Fig. 11**

**Firebox** – Use warm soapy water to clean this area. Do not allow grease to build up.

**Drain Hole** – The drain hole must be kept clear of grease and food particles to allow drippings to drain properly into the grease tray. This must be done to maintain proper operation of your grill.

**General** – This grill, like all equipment, will look better and last longer if kept out of the weather when not in use.

**Caution:** Do not store propane cylinders in enclosed areas. When using a cover or moving the grill, always wait until the grill has cooled for at least 30 minutes.

- Do not obstruct the flow of combustion and ventilation air.
- A clogged tube can lead to a fire beneath the appliance.

**This unit must be kept in an area free from combustible materials, gasoline and other flammable vapours and liquids.**

**Make sure all openings into the grill body are free of blockages or debris and there are no objects or materials blocking the flow of combustion or ventilation. Make sure the legs are in the up position when using the grill.**

**Check burner air inlet openings (behind the inlet guard on the right end of the grill body) for insect nests or blockages. Make sure the slots in the burner tube are clear.**

**When the grill is not in use, turn the control knob to the “OFF” position and remove the propane cylinder from the regulator. Remove the regulator from the burner.**

**For outdoor use only, if stored indoors, detach propane cylinder and store outdoors. Propane cylinders must be stored out of reach of children.**

### **Important**

**First-time use:** It is important that the grill be lit and allowed to heat up for at least 30 minutes before any food is placed on the cooking grid. It is normal for some smoke to appear during the initial operation of the grill. After initial heating, the grill is ready for use. A cooking spray can be used on the cooking grids to allow easier clean up.



## CARE AND MAINTENANCE

THIS COOKING APPLIANCE IS FOR OUTDOOR USE ONLY AND SHALL NOT BE USED IN A BUILDING, GARAGE OR ANY OTHER ENCLOSED AREA.

### MOVING INSTRUCTIONS

**Caution:** Never move the grill with burner lit.

Make sure control knob is in the “OFF” position. Disconnect the propane cylinder from the regulator. Remove the regulator from the grill. Be sure the grill has completely cooled for at least 30 minutes. Close the lid and secure the latch. Place the legs in the down position. Use the handle to carry the grill.

**Note:** It is best to leave the grease tray in place attached to the bottom of the grill; some grease may continue to drip from drain hole during transport.

## TROUBLESHOOTING

**⚠ WARNING** Spiders and insects can nest inside the burners of the grill and disrupt gas flow. This very dangerous condition could cause a fire behind the valve panel, thereby damaging the grill and making it unsafe for operation. Inspect the grill at least twice a year.

### When to Look for Spiders

You should inspect the burners at least twice a year or immediately after any of the following conditions occur:

1. Gas can be smelled in conjunction with burner flames appearing yellow.
2. The grill does not reach temperature.
3. The grill heats unevenly.
4. The burners make popping noises.

### BEFORE CALLING FOR SERVICE

Problems	What To Do
Grill will not light.	<ul style="list-style-type: none"><li>•Check to see if the liquid propane cylinder is empty.</li><li>•Check burner ports for any blockage. Use a soft wire brush to clear plugged ports.</li><li>•Check the gas orifice on the burner for an obstruction. If orifice is blocked, clean with a needle or thin wire. NEVER USE A WOODEN TOOTHPICK.</li></ul>
Burner flame is yellow or orange in conjunction with gas odour.	<ul style="list-style-type: none"><li>•Check for spiders and insects.</li><li>•Call our customer service department at 1-866-984-7455 in USA and 1-800-648-5864 in Canada. Languages spoken: English, Spanish and French 8 a.m.-5 p.m. PST Monday-Friday. CostcoService@grillservices.com</li></ul>
Low heat with the control knob on the “HIGH” setting.	<ul style="list-style-type: none"><li>•Make sure the grill area is clear of dust.</li><li>•Make sure the burner and orifice are clean.</li><li>•Check for spiders and insects.</li><li>•Is there adequate gas supply available?</li><li>•Is the grill being preheated for 15 minutes?</li></ul>

If the grill does not function properly, use the following checklist before contacting your dealer for service.

## Limited Warranty (Model # 820-0007)

Nexgrill warrants to the original consumer-purchaser only that this product (*Model #820-0007*) shall be free from defects in workmanship and materials after correct assembly and under normal and reasonable home use for the periods indicated below beginning on the date of purchase. The manufacturer reserves the right to require photographic evidence of damage, or the return of defective parts, postage and or freight pre-paid by the consumer, for review and examination.

- **MAIN BURNERS:** 3-year *LIMITED* warranty against perforation.
- **FLAME TAMERS:** 1-year *LIMITED* warranty against perforation.
- **COOKING GRIDS:** 1-Year *LIMITED* warranty; *does not cover dropping, chipping, scratching, or surface damage.*
- **STAINLESS-STEEL PARTS:** 3-Year *LIMITED* warranty against perforation; *does not cover cosmetic issues like surface corrosion, scratches and rust.*
- **ALL OTHER PARTS:** 1-Year *LIMITED* warranty (Includes, but is not limited to, valves, frame, housing, cart, control panel, igniter, regulator, hoses) *\*Does not cover chipping, scratching, cracking surface corrosion, scratches or rust.*

Upon consumer supplying proof of purchase as provided herein, Manufacturer will repair or replace the parts that are proven defective during the applicable warranty period. Parts required to complete such repair or replacement shall be free of charge to you except for shipping costs, as long as the purchaser is within the warranty period from the original date of purchase. The original consumer-purchaser will be responsible for all shipping charges of parts replaced under the terms of this limited warranty. This limited warranty is applicable in the United States and Canada, is only available to the original owner of the product and is *not transferable*. Manufacturer requires reasonable proof of your date of purchase. Therefore, you should retain your sales receipt and / or invoice. If the unit was received as a gift, please ask the gift-giver to send in the receipt on your behalf, to the below address. Defective or missing parts subject to this limited warranty will not be replaced without registration or proof of purchase. This limited warranty applies to the functionality of the product **ONLY** and does not cover cosmetic issues such as scratches, dents, corruptions or discolouring by heat, abrasive and chemical cleaners or any tools used in the assembly or installation of the appliance, surface rust, or the discolouration of stainless-steel surfaces. Surface rust, corrosion, or powder paint chipping on metal parts that does not affect the structural integrity of the product is not considered a defect in workmanship or material and is not covered by this warranty. This limited warranty will not reimburse you for the cost of any inconvenience, food, personal injury or property damage. If an original replacement part is not available, a comparable replacement part will be sent. You will be responsible for all shipping charges of parts replaced under the terms of this limited warranty.

### ITEMS MANUFACTURER WILL NOT PAY FOR:

- Service calls to your home.
- Repairs when your product is used for other than normal, single-family household or residential use.
- Damage resulting from accident, alteration, misuse, lack of maintenance / cleaning, abuse, fire, flood, acts of God, improper installation, and installation not in accordance with electrical or plumbing codes or use of products not approved by the manufacturer.
- Any food loss due to product failures.
- Replacement parts or repair labour costs for units operated outside the United States or Canada.
- Pickup and delivery of your product.
- Postage fees or photo processing fees for photos sent in as documentation.
- Repairs to parts or systems resulting from unauthorized modifications made to the product.
- The removal and / or reinstallation of your product.
- Shipping cost, standard or expedited, for warranty / non-warranty and replacement parts.

### DISCLAIMER OF IMPLIED WARRANTIES: LIMITATION OF REMEDIES

*Repair or replacement of defective parts is your exclusive remedy* under the terms of this limited warranty. Manufacturer will not be responsible for any consequential or incidental damages arising from the breach of either this limited warranty or any applicable implied warranty, or for failure or damage resulting from acts of God, improper care and maintenance, grease fire, accident, alteration, replacement of parts by anyone other than Manufacturer, misuse, transportation, commercial use, abuse, hostile environments (inclement weather, acts of nature, animal tampering), improper installation or installation not in accordance with local codes or printed manufacturer instructions.

**THIS LIMITED WARRANTY IS THE SOLE EXPRESS WARRANTY GIVEN BY THE MANUFACTURER. NO PRODUCT PERFORMANCE SPECIFICATION OR DESCRIPTION WHEREVER APPEARING IS WARRANTED BY MANUFACTURER EXCEPT TO THE EXTENT SET FORTH IN THIS LIMITED WARRANTY. ANY IMPLIED WARRANTY PROTECTION ARISING UNDER THE LAWS OF ANY STATE OR PROVINCE, INCLUDING IMPLIED WARRANTY OF MERCHANTABILITY OR FITNESS FOR A PARTICULAR PURPOSE OR USE, IS HEREBY LIMITED IN DURATION TO THE DURATION OF THIS LIMITED WARRANTY.**

Neither dealers nor the retail establishment selling this product has any authority to make any additional warranties or to promise remedies in addition to or inconsistent with those stated above. Manufacturer's maximum liability, in any event, shall not exceed the documented purchase price of the product paid by the original consumer. This warranty only applies to units purchased from an authorized retailer and or re-seller. NOTE: Some states and provinces do not allow an exclusion or limitation of incidental or consequential damages, so some of the above limitations or exclusions may not apply to you; this limited warranty gives you specific legal rights as set for herein. You may also have other rights, which vary from province to province.

If you wish to obtain performance of any obligation under this limited warranty, you should write to:

**Nexgrill Customer Relations  
14050 Laurelwood Place,  
Chino, CA 91710**

*All consumer returns, parts orders, general questions, and troubleshooting assistance can be acquired by calling customer service department at 1-866-984-7455 in USA and 1-800-648-5864 in Canada. Languages spoken: English, Spanish and French 8 a.m.-5 p.m. PST Monday-Friday.*  
CostcoService@grillservices.com

Imported by / Importé par :  
Costco Wholesale Canada Ltd.\*  
415 W. Hunt Club Road  
Ottawa, Ontario  
K2E 1C5, Canada  
1-800-463-3783  
www.costco.ca

\* faisant affaire au Québec sous le nom Les Entrepôts Costco

Importado por:  
Importadora Primex S.A. de C.V.  
Blvd. Magnocentro No. 4  
San Fernando La Herradura  
Huixquilucan, Estado de México  
C.P. 52765  
RFC: IPR-930907-S70  
(55)-5246-5500  
www.costco.com.mx

Imported by:  
Costco Wholesale UK Ltd /  
Costco Online UK Ltd  
Hartspring Lane  
Watford, Herts  
WD25 8JS  
United Kingdom  
01923 213113  
www.costco.co.uk

Importado por:  
Costco Wholesale Spain S.L.U.  
Poligono Empresarial Los Gavilanes  
C/ Agustín de Betancourt, 17  
28906 Getafe (Madrid) España  
NIF: B86509460  
900 111 155  
www.costco.es

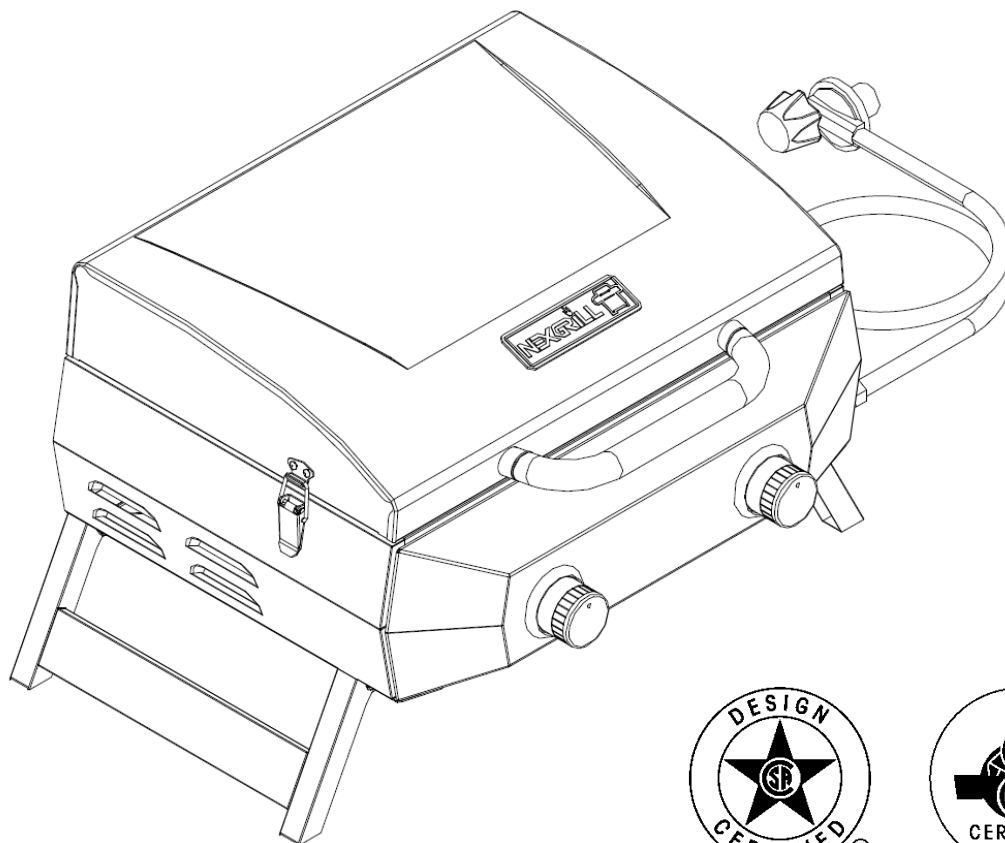
Distributed by:  
Costco Wholesale Iceland ehf.  
Kaupþún 3-7, 210 Gardabaer  
Iceland  
www.costco.is

istribué par :  
Costco France  
1 avenue de Bréhat  
91140 Villebon-sur-Yvette  
France  
01 80 45 01 10  
www.costco.fr

Imported by / Manufactured for:  
Costco President Taiwan, Inc.  
No. 656 Chung-Hwa 5th Road  
Kaohsiung, Taiwan  
Company Tax ID: 96972798  
0800-885-889  
www.costco.com.tw



# Manuel d'utilisation d'instructions



19000422A2

No. DE SÉRIE # \_\_\_\_\_ DATE DE FAB. \_\_\_\_\_ DATE D'ACHAT : \_\_\_\_\_

- **Ce manuel d'instructions contient d'importantes informations essentielles à un assemblage approprié et sécuritaire de l'appareil.**
- **Lire et respecter tous les avertissements et toutes les instructions avant l'assemblage et l'utilisation de l'appareil.**
- **Respecter tous les avertissements et toutes les consignes lors l'utilisation de l'appareil.**
- **Conserver ce manuel à titre de référence ultérieure.**



**Questions, problèmes, pièces manquantes ?** Avant de ramener le gril à votre revendeur, appelez le service clientèle au 1-866-984-7455 aux États-Unis et 1-800-648-5864 au Canada en anglais, espagnol, français. Du lundi au vendredi de 8 h à 17 h, HNP.  
CostcoService@grillservices.com

## TABLE DES MATIÈRES

Table des matières et avertissements.....	21	Consignes d'utilisation.....	27
Informations relatives à la sécurité.....	22	Nettoyage et entretien.....	28
Préparatifs.....	24	Dépannage.....	30
Consignes d'installation.....	25	Garantie.....	31



### DANGER

**Si vous sentez une odeur de gaz :**

1. **Coupez l'alimentation du gaz à l'appareil.**
2. **Éteignez toute flamme nue.**
3. **Soulevez le couvercle.**
4. **Si l'odeur persiste, tenez-vous à l'écart de l'appareil et contactez immédiatement votre fournisseur de gaz ou le service local des pompiers.**

**La non-conformité aux présentes consignes peut avoir pour résultat un incendie, une explosion ou un risque de brûlures qui pourraient entraîner des lésions corporelles graves voire la mort ou des dommages matériels.**



### DANGER

1. **Ne jamais utiliser cet appareil sans surveillance**
2. **Ne jamais utiliser cet appareil dans les 3,05 m / 10 pi d'une structure, de matériel combustible ou autre bouteille de gaz**
3. **Ne jamais utiliser cet appareil dans les 7,62 m / 25 pi de liquides inflammables**
4. **Ne jamais remplir le compartiment de cuisson au-delà de la ligne maximum de remplissage.**
5. **Les liquides chauffés restent à des températures de cuisson longtemps après la cuisson. Ne jamais toucher l'appareil de cuisson tant que les liquides ne se sont pas refroidis à une température de 46 °C / 115 °F ou moins.**
6. **Cet appareil n'est pas destiné à servir d'élément chauffant et ne doit pas être utilisé en tant que tel.**
7. **Si un incendie se déclenche, tenez-vous à l'écart de l'appareil et contactez immédiatement le service des pompiers. Ne pas essayer d'éteindre un incendie d'huile ou de graisse avec de l'eau.**

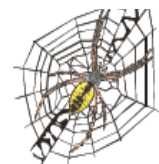
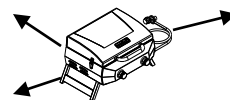
**La non-conformité aux présentes consignes peut avoir pour résultat un incendie, une explosion ou un risque de brûlures qui pourraient entraîner des lésions corporelles graves voire la mort ou des dommages matériels.**

## ! INFORMATIONS RELATIVES À LA SÉCURITÉ

Veuillez lire attentivement les consignes suivantes avant de procéder à l'assemblage, l'utilisation ou l'installation du produit. Le non-respect de ces consignes peut entraîner des lésions corporelles graves ou des dommages matériels. Veuillez contacter le service clientèle au 1-866-984-7455 aux États-Unis et 1-800-648-5864 au Canada en anglais, espagnol, français. Du lundi au vendredi de 8 h à 17 h, HNP.  
CostcoService@grillservices.com.

La bouteille de gaz d'alimentation PL à utiliser doit être fabriquée et marquée conformément aux spécifications pour bouteilles de gaz PL stipulées par le Département des transports des États-Unis (DOT) ou la Norme nationale du Canada, CANB339, bouteilles et bouteilles sphériques, tubes utilisés pour le transport de marchandises dangereuses.

1. L'installation doit être conforme aux codes locaux ou, en l'absence de ces derniers, au code national de gaz de combustion ANSI Z223.1 / NFPA 54, code d'entreposage et de manutention de gaz de pétrole liquéfié ANSI / NFPA 58 ou aux normes pour caravanes ANSI A119.2 / NFPA 1192, et code pour caravanes CSA Z240 RV, selon le cas.
2. Le gril de dessus de table doit être utilisé à l'extérieur uniquement. Toujours utiliser le gril dans un endroit bien ventilé. Ne jamais utiliser le gril dans un espace clos, un garage ou un bâtiment. Ne pas installer le gril dans ou sur des véhicules récréatifs ou des bateaux.
3. Les liquides chauffés restent à des températures de cuisson longtemps après la cuisson. Ne jamais toucher l'appareil de cuisson tant que les liquides ne se sont pas refroidis à une température de 46 ° C ou moins.
4. Ne pas installer et ne pas utiliser le gril à moins de 91,44 cm / 36 po de matériaux combustibles de derrière et sur les côtés du gril. Le gril ne doit pas être placé sous des surfaces suspendues (abris à voitures, garage, porche, patio fermés) qui pourraient prendre feu.
5. Ne jamais attacher ce gril à un système de gaz PL autonome d'une caravane ou d'une autocaravane.
6. Il incombe à l'assembleur / propriétaire d'assembler, installer et entretenir le gril au gaz. Ne pas laisser les enfants utiliser votre gril et ne pas laisser non plus les enfants et les animaux domestiques jouer à proximité. Le non-respect de ces consignes peut entraîner des lésions corporelles graves ou des dommages matériels.
7. Enlever le couvercle avant d'allumer le gril. Lorsque le gril n'est pas utilisé, mettre le bouton de commande situé sur la bouteille de gaz PL sur arrêt (OFF).
8. Suivre soigneusement les consignes stipulées dans ce manuel afin de garantir un assemblage approprié et tester le gril afin de détecter les fuites. Ne pas utiliser le gril tant que l'inspection des fuites n'a pas été effectuée. Si des fuites sont détectées lors de l'inspection ou après, ne pas utiliser le gril avant d'avoir rectifié le problème.
9. La zone d'utilisation de l'appareil ne doit jamais comporter de matériaux combustibles, de l'essence, des bouteilles de gaz ni d'autres vapeurs et liquides inflammables. Ne pas bloquer le flux de l'air de combustion et de ventilation.
10. Ne jamais allumer le gril lorsque le couvercle est fermé. L'accumulation de gaz est très dangereuse et pourrait déclencher une explosion.
11. Maintenir les cordons électriques et le tuyau d'alimentation en combustible à l'écart de toute surface chauffante.
12. Le propane est un gaz inflammable et toute manipulation inappropriée peut déclencher une explosion ou un incendie et entraîner de sérieux accidents voire des blessures.
13. Cet appareil sera chaud pendant et après utilisation. Utiliser des gants isolés pour protection des surfaces chaudes ou des éclaboussures de liquides brûlants.
14. Ne pas laisser le gril sans surveillance pendant l'utilisation.
15. Ne pas utiliser sous l'influence de drogues ou d'alcool.
16. Ne pas entreposer de bouteilles de réserve PL (propane), pleines ou vides, sous ou près de votre gril.
17. L'appareil n'est pas destiné à un usage commercial ou pour location.
18. La bouteille doit être déconnectée lorsque l'appareil n'est pas utilisé.



### DANGER NATUREL - ARAIGNÉES

FAIT : les araignées et d'autres petits insectes s'introduisent parfois dans le tube du brûleur. Les araignées tissent des toiles, construisent des nids et pondent des œufs. Les toiles ou les nids peuvent être très petits mais suffisamment forts pour bloquer le flux du gaz. Nettoyer le brûleur avant d'utiliser l'appareil après un entreposage, au début de la saison des grils ou après un mois de non-utilisation.

## ! INFORMATIONS RELATIVES À LA SÉCURITÉ

### **Le système de combustibles :**

Les grils au gaz sont utilisés par des millions d'individus de manière sécurisée lorsqu'ils suivent de simples mesures de sécurité.

Les éléments dans le système de combustibles ont été conçus pour fonctionner avec ce gril. Ils ne doivent pas être remplacés par des éléments d'une autre marque. (Voir la liste des pièces de rechange.)

**BRÛLEUR DE GAZ :** le brûleur de gaz a été fabriqué en acier inoxydable et ne requiert pas de maintenance autre que l'inspection de détection d'insectes / nids à l'intérieur des bouches d'entrée d'air.

### **MISE EN GARDE RELATIVE AU RÉGULATEUR DU GAZ PL :**

Le régulateur de pression de gaz fourni avec cet appareil doit être utilisé. Ce régulateur est muni d'un orifice requis et est réglé pour la pression de sortie requise pour cet appareil. Cette combinaison de spécifications de la taille de l'orifice et de la pression fournit la performance de cuisson anticipée pour le gril de dessus de table Nexgrill. La substitution du régulateur par un autre régulateur ou d'un autre fabricant est dangereuse et peut entraîner de graves blessures.

### **TUYAU DE L'ALIMENTATION DE GAZ :**

Le régulateur connecté au tuyau fourni avec cet appareil mesure 91,44 cm / 3 pi m de long. Maintenir le tuyau de gaz à l'écart de la ou des surfaces chauffées.

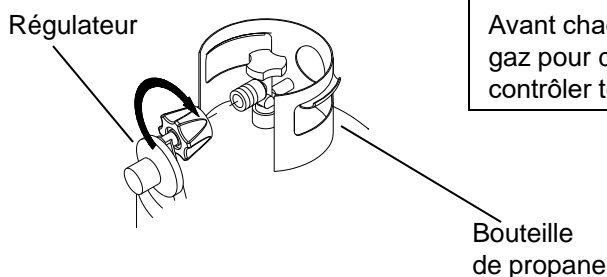
**ALIMENTATION EN PROPANE : avertissement** – le propane est un gaz inflammable. Toute manipulation inappropriée peut déclencher une explosion ou un incendie et entraîner de sérieux accidents voire des blessures. Votre gril a été conçu pour fonctionner avec du gaz propane (PL) uniquement et est équipé d'un orifice approprié pour le gaz propane.

**Mise en garde :** ne pas connecter ce gril avec une alimentation de gaz autre que le propane. Le gaz propane est plus lourd que l'air et se dépose dans les zones inférieures. S'assurer que la ventilation est adéquate lorsque vous utilisez le gril. La bouteille de gaz peut être exposée à l'extérieur dans une zone bien ventilée hors de la portée des enfants lorsque le gril n'est pas utilisé.

La bouteille de gaz PL doit être utilisée à l'extérieur uniquement dans un espace bien ventilé et non dans un bâtiment, un garage ou d'autres espaces fermés. Le gril de dessus de table Nexgrill peut être entreposé à l'intérieur si la bouteille de gaz PL est enlevée et entreposée à l'extérieur. La bouteille de gaz PL (non comprise) est filetée pour permettre un raccordement direct au régulateur de gaz fourni avec cet appareil. Visser la bouteille au régulateur avec soin pour engager les filets correctement afin de garantir une bonne connexion. Lors de la déconnexion ou de la connexion d'une bouteille de gaz, faire attention que le régulateur ne tombe pas sur le gril, le sol ou toute autre surface. Replacer le capuchon de protection sur la connexion de la bouteille filetée lorsqu'elle est enlevée du gril. En cas de difficulté pendant la connexion ou la déconnexion de la bouteille d'un régulateur, contacter le fournisseur de gaz local pour assistance.

Lors de la reconnexion de la bouteille de gaz PL au régulateur, bien serrer à la main jusqu'au blocage complet. Cette connexion doit être inspectée pour tout dommage et testée pour les fuites après chaque reconnexion.

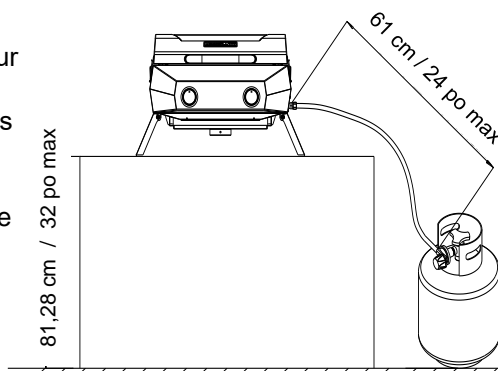
**Pour tester les fuites,** préparer une solution savonneuse moitié détergent liquide et moitié eau. Vous avez besoin d'un flacon pulvérisateur, d'une brosse ou d'un chiffon pour appliquer la solution sur le raccord. La présence de bulles confirme les fuites.



Avant chaque utilisation, vérifier tous les raccords d'alimentation de gaz pour détecter les fuites. Ne pas utiliser le gril sans avoir contrôlé tous les raccords et déterminé l'absence de fuites.

## AVERTISSEMENT

- Toujours utiliser le gril sur un dessus de table, à une hauteur de 81,28 cm / 32 po maximum.
- Placer le réservoir de propane au sol juste à côté du dessus de table, à une distance maximum de 61 cm / 24 po du gril.
- Le non-respect de ces consignes pourrait entraîner le surchauffement du réservoir de propane et le dégagement de propane qui pourrait s'enflammer et causer des blessures graves ou des dommages matériels ou les pieds pourraient se prendre dans le tuyau de gaz ou le réservoir de propane tirant sur le gril qui tomberait du dessus de table causant de sérieuses blessures ou des dommages matériels.



## PRÉPARATIFS

Avant de procéder à l'assemblage, l'installation ou l'utilisation du produit, assurez-vous que toutes les pièces sont présentes. Comparez les pièces avec la liste du contenu de l'emballage et le schéma ci-dessus. S'il manque une pièce ou si une pièce est endommagée, ne pas assembler le produit, l'installer ni l'utiliser. Contacter le service à la clientèle pour obtenir des pièces de remplacement.

- Votre gril de dessus de table Nexgrill est pré-assemblé. Le seul assemblage requis consiste à connecter les pieds pliables et placer les dispositifs de contrôle des flammes, la grille de cuisson et les boutons de commande dans le gril.
- Estimation de la durée pour l'assemblage : 5 minutes.



## **CONSIGNES D'INSTALLATION**

### **RACCORDEMENT AU GAZ**

Utilisez uniquement l'ensemble tuyau et régulateur de pression fourni avec le gril. L'ensemble de rechange tuyau et régulateur de pression doit être spécifié par le fabricant du gril. Ce gril est configuré du propane liquide. Ne pas utiliser de gaz naturel.

Consommation totale du gaz (à l'heure) pour tous les brûleurs réglés sur HI :

<u>Brûleurs principaux</u>	20 000 BTU / hr.
Total	20 000 BTU / hr.

L'installation de cet appareil doit être conforme aux codes locaux ou, en l'absence de ces derniers, à l'un des codes suivants : code national de gaz de combustion ANSI Z223.1 / NFPA 54, code national d'installation de propane CSA B149.1 ou code d'entreposage et de manutention de propane B149.2 ou aux normes pour caravanes ANSI A119.2 / NFPA 1192, et code pour caravanes CSA Z240 RV, selon le cas.

### **CONDITIONS APPLICABLES AUX BOUTEILLES DE PROPANE LIQUIDE**

#### **(Bouteille de 9.07 kg / 20 lb**

Une bouteille de propane liquide qui serait cabossée ou rouillée peut représenter un danger et doit être inspectée par votre fournisseur. N'utilisez jamais une bouteille dont la valve est endommagée. La bouteille de propane liquide doit être fabriquée et marquée conformément aux spécifications pour bouteilles de gaz PL par le Département des transports des États-Unis (DOT) ou la Norme nationale du Canada, CAN / CANB339, bouteilles, bouteilles sphériques et tubes utilisés pour le transport de marchandises dangereuses. La bouteille de **9.07 kg / 20 lb** doit disposer d'un robinet d'arrêt menant à un robinet spécifié, selon le cas, pour un raccord de type QCC1 selon la norme pour le raccordement à la sortie et l'entrée du robinet de bouteille de gaz comprimé ANSI / CGA-V-1.

L'entreposage intérieur d'un appareil de cuisson à gaz pour extérieur est autorisé uniquement si la bouteille est déconnectée et enlevée de l'appareil de cuisson à gaz pour extérieur. Le système de la bouteille doit être arrangé de manière à permettre l'évacuation de vapeur.

La bouteille doit inclure un collier pour la protection du robinet de la bouteille.

Pression du collecteur : (en marche) 27,94 cm / 11,2 po de la colonne d'eau (des toilettes), (à l'arrêt) 28,45 cm / 11,2 po de la colonne d'eau (des toilettes) .

La bouteille de propane liquide doit être munie avec un dispositif anti-débordement (ODP).

Enlevez le couvercle du robinet en plastique de la bouteille de propane liquide. Assurez-vous que les tuyaux de gaz du gril n'entrent pas en contact avec le plateau à graisse ou la chambre de cuisson lorsque la bouteille de PL est placée dans le chariot.

### **CONNEXION DE LA BOUTEILLE DE PROPANE LIQUIDE**

Pour raccorder la bouteille d'alimentation de propane liquide :

Le robinet de la bouteille doit se trouver en position d'arrêt (OFF). Si ce n'est pas le cas, tournez le robinet vers la droite jusqu'au blocage.

Assurez-vous que le robinet de la bouteille dispose des connexions filetées mâles externes de type 1 conformément à ANSI Z21.81.

Assurez-vous que les valves des brûleurs sont en position fermée (OFF).

Inspectez les connexions de l'ensemble régulateur, l'orifice ainsi que les connexions du robinet. Enlevez les débris et inspectez le tuyau confirmant qu'il n'est pas endommagé.

Lors du raccordement de l'ensemble du régulateur au robinet, utilisez votre main pour serrer l'écrou dans le sens horaire jusqu'au blocage.

N'utilisez pas de clé pour serrer l'écrou à raccord rapide, ce qui pourrait l'endommager et entraîner une situation dangereuse.

Ouvrez complètement le robinet de la bouteille en le tournant dans le sens anti-horaire.

Avant d'allumer le gril, utilisez une solution d'eau savonneuse pour vérifier l'absence de fuite aux connexions.

En cas de fuite, tournez le robinet de la bouteille sur arrêt (OFF) et n'utilisez pas votre gril tant que le revendeur local de propane liquide n'a pas réparé la fuite.

### **⚠ AVERTISSEMENT**

Ne jamais utiliser de matériel endommagé ou bouché. Consulter le revendeur local de propane liquide pour toute réparation.

## **CONSIGNES D'INSTALLATION**

### **DÉCONNEXION DE LA BOUTEILLE DE PROPANE LIQUIDE**

Mettez les valves des brûleurs du gril sur arrêt (OFF) et assurez-vous que le gril est froid.

Tournez le robinet de la bouteille de propane liquide sur OFF dans le sens horaire jusqu'au blocage.

Détachez l'ensemble du régulateur du robinet de la bouteille en tournant l'écrou à raccord rapide dans le sens anti-horaire.

Placez le bouchon anti-poussière sur la sortie du robinet de la bouteille en tout temps lorsque vous n'utilisez pas la bouteille. N'installez que le type de bouchon anti-poussière qui est fourni avec le robinet de la bouteille. Les autres types de bouchons peuvent entraîner des fuites de propane.

### **TEST DE FUITE**

#### **GÉNÉRALITÉS**

Bien que les connexions de gaz sur le gril aient été testées avant l'expédition, un test de fuite complet doit être effectué sur le site de l'installation. Avant chaque utilisation, vérifiez qu'il n'y a pas de fuites aux connexions de gaz en procédant selon les instructions ci-dessous.

Lorsque vous sentez une odeur de gaz, vous devez immédiatement inspecter le système en entier pour détecter les fuites potentielles.

#### **AVANT DE PROCÉDER AU TEST**

Assurez-vous que tous les matériaux d'emballage ont été enlevés du gril, y compris les sangles de fixation des brûleurs.

#### **AVERTISSEMENT**

Avant chaque utilisation, vérifiez tous les raccords d'alimentation de gaz pour détecter les fuites. Ne pas utiliser le gril sans avoir contrôlé tous les raccords et déterminé l'absence de fuites. Ne pas fumer pendant le test de fuite. Ne jamais tester les fuites avec une flamme nue.

Préparez une solution savonneuse moitié détergent liquide et moitié eau. Vous avez besoin d'un flacon pulvérisateur, d'une brosse ou d'un chiffon pour appliquer la solution sur le raccord. Lors du test de fuite initiale, assurez-vous que la bouteille de propane liquide est pleine.

#### **POUR TESTER**

1. Mettez les valves de brûleurs sur arrêt (OFF).
2. Tournez le robinet de la bouteille de liquide de propane dans le sens anti-horaire pour l'ouvrir.
3. Appliquez la solution savonneuse à tous les raccords de gaz. Des bulles de savon se formeront s'il y a une fuite.
4. Si une fuite est présente, tournez immédiatement l'alimentation du gaz sur arrêt (OFF) et resserrez les raccords ayant des fuites.
5. Remettez le gaz sur marche (ON) et effectuez un nouveau contrôle.
6. Si le gaz fuit toujours de l'un des raccords, tournez l'alimentation du gaz sur arrêt (OFF) et contactez le service clientèle au 1-866-984-7455 aux États-Unis et 1-800-648-5864 au Canada en anglais, espagnol, français. Du lundi au vendredi de 8 h à 17 h, HNP. [CostcoService@grillservices.com](mailto:CostcoService@grillservices.com).
7. En cas d'abrasion ou d'usure excessives ou si le tuyau est coupé, vous devez remplacer le tuyau avant d'utiliser l'appareil à gaz pour cuisson à l'extérieur.

Utilisez uniquement les pièces recommandées par le fabricant sur le gril. Toute substitution annulerait la garantie.

#### **AVERTISSEMENT**

Ne pas entreposer le gril à l'intérieur à moins d'avoir déconnecté la bouteille. Ne pas entreposer la bouteille dans un bâtiment, garage ou tout autre endroit fermé et toujours maintenir hors de la portée des enfants.

### **CONTRÔLE FINAL DE L'ASSEMBLEUR**

Maintenir l'espace spécifié de 61 cm / 24 po des matériaux combustibles et construction.

- Tout l'emballage interne doit être enlevé.
- Le tuyau et le régulateur doivent être connectés correctement à la bouteille de propane liquide.
- L'unité doit avoir été testée et confirmée sans fuite.
- L'emplacement du robinet d'arrêt du gaz a été déterminé.
- Tous les brûleurs sont installés.
- Maintenir le manuel d'instructions à disposition pour toute référence ultérieure

## ⚠ AVERTISSEMENT

1. Le gril et son robinet d'arrêt doivent être déconnectés de la tuyauterie d'alimentation du gaz pendant les tests de pression du système à une pression de test supérieure à 3,5 kPa.
2. L'appareil de gaz de cuisson pour l'extérieur doit être isolé de la tuyauterie d'alimentation de gaz en fermant son robinet d'arrêt pendant les tests de pression de la tuyauterie d'alimentation de gaz à une pression de test égale ou inférieure à 3,5 kPa.

## ⚠ AVERTISSEMENT

1. Ne pas entreposer de bouteille de propane liquide de réserve sous ou près de cet appareil.
2. Ne jamais remplir la bouteille à plus de 80 pour cent de sa capacité.
3. Si ces consignes des points 1 et 2 ne sont pas suivies à la lettre, un incendie peut se déclencher ce qui entraînerait des lésions corporelles graves voire la mort.

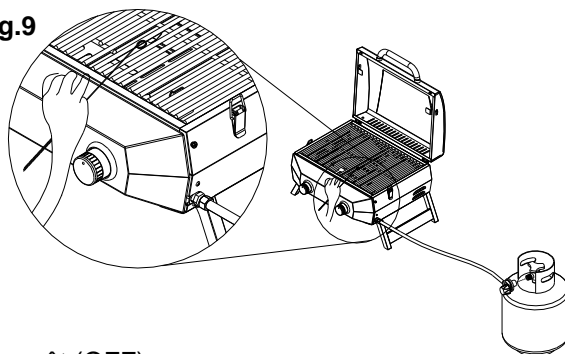
## CONSIGNES D'UTILISATION

### ALLUMAGE DU GRIL

1. Étendez les pieds (position verticale).
2. Assurez-vous que la bouteille de propane est bien engagée dans le régulateur (serrage à la main uniquement).
3. Soulevez le couvercle. Lors de l'allumage, vous devez toujours ouvrir le couvercle.
4. Poussez et tournez lentement le bouton du brûleur principal sur ÉLEVÉ(HIGH) (voir la Fig. 8), le brûleur devrait s'allumer immédiatement.
5. Si le brûleur ne s'allume pas dans les 3 à 5 secondes, tournez le bouton de commande sur OFF. Attendez 5 minutes avant de retenter l'allumage du gril. Si le gril ne s'allume toujours pas après la deuxième tentative, appelez le service clientèle au 1-866-984-7455 aux États-Unis et 1-800-648-5864 au Canada en anglais, espagnol, français. Du lundi au vendredi de 8 h à 17 h, HNP. [CostcoService@grillservices.com](mailto:CostcoService@grillservices.com). Une fois le brûleur allumé, fermez doucement le couvercle et laissez le gril chauffer pendant 20 à 30 minutes avant de l'utiliser.

**Remarque :** si le bouton ne produit pas d'étincelle pour l'allumage, introduisez une allumette dans le bâtonnet d'allumage (voir la Fig. 9). Frottez l'allumette et tendez-la vers le brûleur par les grilles de cuisson.

Fig.9

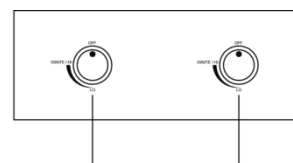


1. Tournez le bouton sur arrêt (OFF).
2. Tournez le bouton de commande de la bouteille de propane à la position d'arrêt (OFF).

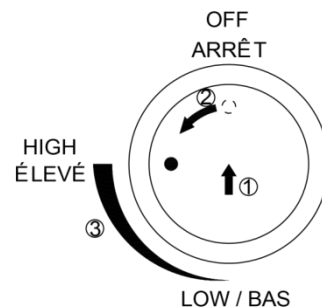
**Mise en garde :** ne pas rallumer le gril sans suivre les consignes d'allumage.

3. Attendez pendant 30 minutes que le corps du gril ait refroidi avant de le déplacer ou de le transporter.

Fig.8



Main Burners



1. Poussez
2. Tournez le bouton sur ÉLEVÉ(HIGH)
3. Réglez la flamme

## CONSIGNES D'UTILISATION

### CARACTÉRISTIQUES DES FLAMMES

Vérifiez que les caractéristiques des flammes des brûleurs sont appropriées. Les flammes des brûleurs doivent être bleues et stables sans bouts jaunes, bruit excessif ou soulèvement (voir la Fig. 10). Les étapes suivantes doivent être suivies pour la correction des caractéristiques de flamme.

Tournez les boutons de commande et les robinets de la bouteille de propane à la position d'arrêt (OFF).

Attendez que le gril et les brûleurs aient refroidi.

Si la flamme est jaune (manque d'oxygène), tournez la vis de réglage situé à l'avant du brûleur dans le sens anti-horaire.

Si la flamme est bruyante ou se soulève à l'écart du brûleur (oxygène excédentaire), tournez la vis de réglage dans le sens horaire.

Si ces réglages ne parviennent pas à rectifier le problème, contactez le service clientèle au 1-866-984-7455 aux États-Unis et 1-800-648-5864 au Canada en anglais, espagnol, français. Du lundi au vendredi de 8 h à 17 h, HNP. CostcoService@grillservices.com.

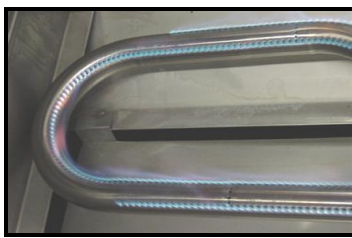


Fig. 10



Observez les flammes des brûleurs avant chaque utilisation. Elles doivent ressembler à celles de l'illustration; si ce n'est pas le cas, voir la section sur la maintenance des brûleurs dans ce manuel.

### UTILISATION DU GRIL

1. Localisez une surface à niveau pour poser le gril.
2. Attendez que le gril se soit réchauffé avec le couvercle fermé pendant 5 minutes avant la cuisson.
3. Vous pouvez cuire sur le gril par n'importe quel temps. Si la température est particulièrement froide ou chaude, les temps de cuisson peuvent être augmentés ou réduits légèrement. N'utilisez pas le gril quand le vent souffle très fort.
4. Les temps de cuisson ci-dessous sont indiqués à titre de référence. Ils peuvent varier en fonction de l'épaisseur des viandes et du degré de préparation souhaité.

### GRILLER

- Bifteck d'loyau – (T-Bone), tranche épaisse, cuit à point : griller 10 minutes de chaque côté à un réglage MED.
- Poulet – (quartiers), friteuse de taille moyenne : griller 30 minutes de chaque côté avec un réglage MED. Vérifier que la viande est bien cuite.
- Porc – (côtes / épaules) : griller entre 10 et 20 minutes de chaque côté avec un réglage MED. Vérifier que la viande est bien cuite.
- Poisson – griller entre 20 et 30 minutes avec un réglage LOW.
- Dinde - (poitrine) : griller 10 minutes / 500 g ou jusqu'à ce que la température atteigne les 77 ° C avec un réglage MED.

## NETTOYAGE ET ENTRETIEN

Ce gril nécessite peu de nettoyage et d'entretien. Le gril de dessus de table a été conçu et fabriqué avec des matériaux qui, dans des conditions d'utilisation normales, auront une longue vie. Lorsque vous respectez ces consignes, la vie et la qualité de cuisson sont également optimisées. Pour garantir une utilisation sécurisée de votre gril, l'aire de cuisson ne doit jamais comporter de matériaux combustibles d'aucune sorte, tels qu'essence ou autres vapeurs et liquides inflammables.

Pièces externes du gril – elles sont en acier inoxydable. Vous pouvez les nettoyer facilement avec de l'eau savonneuse chaude ou un produit spécialisé pour l'acier inoxydable.

Grille de cuisson et plateau à graisse – la grille de cuisson est en acier inoxydable. Vous devez la brosser avec une brosse en acier immédiatement après la cuisson pendant que la grille est encore chaude. Le plateau à graisse est également en acier inoxydable et vous pouvez le nettoyer avec un grattoir plat, tel qu'une spatule.

**Mise en garde** : le plateau à graisse doit toujours être propre et ne pas comporter d'accumulations qui empêcheraient le gril de fonctionner correctement et pourraient générer des flammes.

Brûleurs principaux de la grille – Prenez toutes les précautions nécessaires lorsque vous retirez un brûleur. Il doit être correctement centré sur l’orifice avant de rallumer le gril. La fréquence du nettoyage dépend des utilisations de votre gril.

Si vous ne placez pas correctement le brûleur sur l’orifice, un incendie peut se déclencher derrière et dessous le panneau du robinet, endommageant le gril et rendant son utilisation hasardeuse.

Avant de procéder au nettoyage, assurez-vous que l’alimentation de gaz et les boutons de commande sont en position d’arrêt (OFF) et que les brûleurs ont refroidi.

Pour enlever les brûleurs principaux pour les nettoyer :

1. Repérez la vis du brûleur à l’arrière de la chambre de cuisson.
2. Enlevez la vis et soulevez le brûleur pour le dégager de la chambre de cuisson.

Pour nettoyer les brûleurs du gril :

1. Nettoyez l’extérieur du brûleur avec une brosse métallique. Utilisez un grattoir métallique pour les tâches ou les débris plus tenaces.
2. Débloquez les ports bouchés avec un clip que vous dépliez. N’utilisez jamais de cure-dents en bois. Ils peuvent se briser et boucher l’orifice.
3. Inspectez et nettoyez les brûleurs / tubes de venturi afin de détecter la présence d’insectes et de nids d’insectes. Un tube bouché peut favoriser un feu en dessous et derrière le panneau de commande principale.

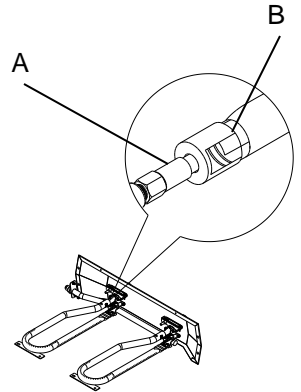


Fig.11

Pour réinstaller les brûleurs principaux :

1. Insérez le brûleur sur la valve de gaz du brûleur principal (réf. pièce 6 de la page 14).
2. Assurez-vous que l’ergot de l’orifice (A) est à l’intérieur du venturi du brûleur (voir la Fig. 11).
3. Alignez le trou de la vis du brûleur à celui de la chambre de cuisson, insérez la vis et serrez.

Chambre de cuisson – utilisez de l’eau savonneuse chaude pour nettoyer cette zone. Ne laissez pas la graisse s’accumuler.

Trou de vidange – ce trou ne doit jamais comporter de graisse ni de particules alimentaires pour garantir un égouttement approprié dans le plateau à graisse. Le bon fonctionnement du gril dépend du respect de cette consigne.

Généralités – ce gril, comme n’importe quel autre type d’équipement, sera en meilleure condition et durera plus longtemps si vous le protégez des intempéries quand il n’est pas utilisé.

**Mise en garde** : ne pas entreposer les bouteilles de propane dans des zones fermées. Lorsque vous utilisez un couvercle ou déplacer le gril, toujours attendre que le gril ait refroidi, 30 minutes au moins.

- Ne pas bloquer le flux de l’air de combustion ni celui de la ventilation.
- Un tube bouché peut favoriser un feu en dessous de l’appareil.

**La zone dans laquelle l’appareil sera installé ne doit jamais comporter de matériau combustible, essence et autres vapeurs et liquides inflammables.**

**Assurez-vous que toutes les ouvertures dans le corps du gril ne sont pas obstruées et ne comportent pas de débris non plus, qu’il n’y a pas d’objets ou de matériaux obstruant le flux de l’air de combustion et de la ventilation. Assurez-vous que les pieds sont dépliés (position verticale) lorsque vous utilisez le gril.**

**Inspectez les ouvertures d’entrée d’air des brûleurs (derrière le dispositif de protection d’entrée à l’extrême droite du corps du gril) et recherchez la présence de nids d’insecte ou de blocages.**

**Assurez-vous que les fentes dans le brûleur sont dégagées.**

**Lorsque le gril n’est pas utilisé, tournez le bouton de commande en position d’arrêt (OFF) et enlevez la bouteille de propane du régulateur. Enlevez le régulateur du brûleur.**

**Pour utilisation à l’extérieur uniquement, si l’entreposage est prévu à l’intérieur, enlevez la bouteille de propane que vous entreposez à l’extérieur. Les bouteilles de propane doivent être entreposées hors de la portée des enfants.**

### **Important**

**Première utilisation** : il est important que le gril soit allumé et puisse chauffer pendant au moins 30 minutes avant de placer des aliments sur la grille de cuisson. Il est normale que de la fumée se dégage du gril lors de la première utilisation. Après le chauffage initial, vous pouvez utiliser la grille. Vous pouvez utiliser un vaporisateur de cuisson sur les grilles de cuisson pour faciliter le nettoyage.

## NETTOYAGE ET ENTRETIEN

**CET APPAREIL DE CUISSON DOIT ÊTRE UTILISÉ À L'EXTÉRIEUR UNIQUEMENT ET NON DANS UN BATIMENT, GARAGE OU AUTRE ZONE ENFERMÉE.**

### CONSIGNES DE DÉPLACEMENT

**Mise en garde : ne jamais déplacer le gril avec un brûleur allumé.**

**Assurez-vous que le bouton de commande en position fermée (OFF). Déconnectez la bouteille de propane du régulateur.**

**Enlevez le régulateur de la grille. Assurez-vous que le gril a totalement refroidi pendant au moins 30 minutes.**

**Fermez le couvercle et sécurisez le loquet. Repliez les pieds. Utilisez la poignée pour porter le gril.**

**Remarque : il est recommandé de laisser le plateau à graisse attaché en bas du gril dans la mesure où de la graisse peut encore s'égoutter du trou de vidange pendant le transport.**

## DÉPANNAGE

**⚠ AVERTISSEMENT** : des araignées et des insectes peuvent faire leur nid à l'intérieur des brûleurs du gril, ce qui peut perturber l'écoulement des gaz. Il s'agit d'une situation très dangereuse qui pourrait déclencher un incendie derrière le panneau de la valve, endommageant le gril et rendant son utilisation hasardeuse. Inspectez le gril au moins deux fois par an.

### À quel moment faut-il rechercher les araignées

Vous devriez inspecter les brûleurs au moins deux fois par an ou immédiatement après l'une des situations suivantes :

1. L'odeur de gaz avec des flammes du brûleur jaunes.
2. Le gril n'atteint pas la température.
3. Le gril ne chauffe pas de manière uniforme.
4. Les brûleurs font des bruits d'éclat.

### AVANT D'APPELER LE SERVICE CLIENTÈLE

Problèmes	Ce qu'il faut faire
Le gril ne s'allume pas.	<ul style="list-style-type: none"><li>• Vérifiez si la bouteille de PL est vide.</li><li>• Vérifiez que les orifices des brûleurs ne sont pas obstrués. Utilisez une brosse métallique douce pour dégager les orifices obstrués.</li><li>• Vérifiez s'il y a une obstruction dans l'orifice de gaz du brûleur. Si l'orifice est bloqué, nettoyez avec une aiguille ou un fil fin. <b>NE JAMAIS UTILISER DE CURE-DENT EN BOIS.</b></li></ul>
La flamme du brûleur est jaune ou orangée, et il y a une odeur de gaz.	<ul style="list-style-type: none"><li>• Vérifiez la présence d'araignées et d'insectes</li><li>• Appelez le service clientèle au 1-866-984-7455 aux États-Unis et 1-800-648-5864 au Canada en anglais, espagnol, français. Du lundi au vendredi de 8 h à 17 h, HNP. <a href="mailto:CostcoService@grillservices.com">CostcoService@grillservices.com</a>.</li></ul>
Faible chaleur alors que le bouton est en position HI.	<ul style="list-style-type: none"><li>• Assurez-vous que la zone de la grille n'est pas poussiéreuse.</li><li>• Assurez-vous que le brûleur et l'orifice sont propres.</li><li>• Vérifiez la présence d'araignées et d'insectes</li><li>• Est-ce qu'une quantité adéquate de gaz est disponible ?</li><li>• Est-ce que le gril a été préchauffé pendant 15 minutes ?</li></ul>

**Si le gril ne fonctionne pas correctement, effectuez chaque vérification de la liste qui suit avant de contacter le service clientèle.**

## Garantie (N° MODÈLE 820-0007)

Le fabricant garantit au premier acheteur-consommateur seulement que ce produit (modèle n° 820-0007) ne présentera aucun défaut de matériaux ou de fabrication, suivant un assemblage approprié et dans des conditions d'utilisation domestique normale et raisonnable pour les périodes indiquées ci-dessous, en vigueur à la date d'achat. Le fabricant se réserve le droit d'exiger que vous lui envoyiez des photographies du produit défectueux ou que les pièces défectueuses lui soient retournées et / ou le port payé par le consommateur aux fins d'analyse et d'inspection.

**TUBES DE BRÛLEURS** : la perforation est sous une garantie *LIMITÉE* de 3 ans.

**GRILLES DE CUISSON et PROTECTEURS DE FLAMMES** : garantie *LIMITÉE* de 1 an; *ne couvre pas les égouttures, les effritements, les égratignures ou la surface endommagée.*

**PIÈCES EN ACIER INOXYDABLE** : la performance est sous garantie *LIMITÉE* de 1 an; *ne couvre pas l'aspect esthétique comme la corrosion sur la surface, les égratignures et la rouille.*

**TOUTES LES AUTRES PIÈCES** : garantie *LIMITÉE* de 1 an (y compris, sans toutefois s'y limiter, les vannes, le bâti, le boîtier, le chariot, le panneau de commande, l'allumeur, le régulateur et les tuyaux). \**Ne couvre pas les effritements, les égratignures, la corrosion sur une surface fendillée, les ébréchures ou la rouille.*

Dès réception de la preuve d'achat fournie par le consommateur, tel que susmentionnée, le fabricant réparera ou remplacera les pièces qui s'avèrent défectueuses pendant la période de garantie applicable. Les pièces requises pour effectuer de telles réparations ou remplacements seront gratuites à l'exception des frais de transport, en autant que l'acheteur n'a pas dépassé la période de garantie de la date d'achat d'origine. L'acheteur-consommateur initial est responsable de tous les frais de transport pour les pièces remplacées en vertu de la présente garantie limitée. La présente garantie limitée est applicable aux États-Unis et au Canada seulement et elle est offerte uniquement au propriétaire d'origine du produit et *n'est pas transférable*. Le fabricant exige une preuve de la date d'achat raisonnable. Vous devez donc conserver votre reçu ou votre facture. Si l'appareil est un cadeau, veuillez demander à la personne qui vous a offert le cadeau d'envoyer le reçu à l'adresse ci-dessous en indiquant votre nom. Les pièces défectueuses ou manquantes assujetties à la présente garantie limitée ne seront pas remplacées sans enregistrement ou preuve d'achat. La présente garantie limitée s'applique à la fonctionnalité du produit SEULEMENT et ne couvre pas les problèmes esthétiques comme les rayures, les bosses, la corrosion ou la décoloration produite par la chaleur, les produits nettoyants abrasifs ou chimiques ou l'utilisation de tout outil utilisé pour assembler ou installer l'appareil, la rouille de surface, ou la décoloration des surfaces en acier inoxydable. La rouille de surface, la corrosion ou l'effritement du revêtement en poudre sur les pièces en métal qui ne compromettent pas l'intégrité structurelle du produit n'est pas considéré un défaut de matériaux ou de fabrication et ne sera pas couvert en vertu de cette garantie. Dans le cadre de cette garantie limitée, vous ne serez pas remboursé pour des frais liés aux désagréments, à la perte d'aliments, aux blessures ou aux dommages de propriété. Si une pièce de rechange initiale n'est pas disponible, une pièce de rechange comparable sera expédiée. Vous serez responsable d'assumer tous les frais de transport pour les pièces remplacées en vertu de la présente garantie limitée.

### LE FABRICANT NE SERA PAS RESPONSABLE DES FRAIS SUIVANTS :

Les appels de service de votre domicile.

Les réparations lorsque le produit est utilisé à des fins autres que l'usage unifamilial ou domestique normal.

Les dommages imputables à : accident, modification, usage impropre, manque d'entretien ou de nettoyage, usage abusif, incendie, inondation, cas de force majeure, installation fautive ou installation non conforme aux codes d'électricité ou de plomberie, ou une utilisation incorrecte du produit.

Toute perte d'aliments due à une défaillance du produit.

Le coût des pièces de rechange ou de la main-d'œuvre pour les appareils utilisés hors des États-Unis ou du Canada.

Le ramassage et la livraison du produit.

Les frais de port ou de traitement pour des photographies envoyées à titre de documentation.

Les réparations de pièces ou de systèmes résultant de modifications non autorisées apportées à ce produit.

Le retrait ou la réinstallation du produit.

Les frais d'expédition, standard ou accélérée, pour les pièces de rechange avec ou sans garantie.

### CLAUSE D'EXONÉRATION DE RESPONSABILITÉ AU TITRE DES GARANTIES IMPLICITES: LIMITATION DES RECOURS

*La réparation ou le remplacement des pièces défectueuses* est votre seul recours en vertu des modalités de cette garantie limitée. Le fabricant ne sera pas responsable de dommages accessoires ou consécutifs provenant d'infraction de cette garantie ou de toute garantie applicable implicite ou pour les défauts ou dommages résultant de cas de force majeure, un entretien inadéquat, un feu de graisse, un accident, une modification du produit, un remplacement de pièces par des personnes autres que le fabricant, une utilisation impropre, un déplacement ou transport du produit inadéquat, un usage commercial, un usage abusif, un milieu hostile (intempéries, phénomènes naturels ou dommages causés par des animaux), une installation inadéquate ou une installation non conforme aux codes locaux ou aux directives imprimées du fabricant.

LA PRÉSENTE GARANTIE LIMITÉE EST LA SEULE GARANTIE EXPRESSE FOURNIE PAR LE FABRICANT. AUCUNE SPÉCIFICATION SUR LE RENDEMENT DU PRODUIT OU DESCRIPTION OÙ ELLE FIGURE N'EST GARANTIE PAR LE FABRICANT SAUF DANS LA MESURE STIPULÉE PAR LA PRÉSENTE GARANTIE LIMITÉE. TOUTE PROTECTION DE GARANTIE EN VERTU DES LÉGISLATIONS DE TOUT ÉTAT OU PROVINCE, Y COMPRIS LA GARANTIE IMPLICITE DE QUALITÉ MARCHANDE OU UN USAGE PARTICULIER, EST LIMITÉE À LA DURÉE DE LA PRÉSENTE GARANTIE.

Ni le détaillant ni le point de vente où ce produit est vendu ne sont autorisés à fournir toute garantie supplémentaire ou à promettre des recours au-delà de ceux susmentionnés ou incompatibles avec ceux-ci. Le montant maximal du fabricant, en aucun cas, ne doit pas dépasser le prix d'achat documenté du produit payé par le consommateur initial. Cette garantie ne s'applique qu'aux appareils achetés auprès d'un détaillant autorisé ou d'un revendeur. REMARQUE : certains États ou certaines provinces ne permettent pas l'exclusion ou la restriction des dommages accessoires ou consécutifs; certaines restrictions mentionnées ci-dessus peuvent donc ne pas s'appliquer dans votre cas; vous bénéficiez de droits particuliers en vertu de cette garantie limitée tels qu'établis dans la présente. Vous pouvez également bénéficier d'autres droits selon votre lieu de résidence.

Si vous désirez obtenir le rendement de toute obligation en vertu de cette garantie, écrivez à :

**Nexgrill Customer Relations  
14050 Laurelwood Place,  
Chino, CA 91710**

*Pour obtenir de l'aide sur tous les retours de consommateurs, les commandes de pièces, les questions d'ordre général et le dépannage, communiquez avec le service clientèle au 1-866-984-7455 aux États-Unis et 1-800-648-5864 au Canada en anglais, espagnol, français. Du lundi au vendredi de 8 h à 17 h, HNP. CostcoService@grillservices.com.*

Imported by / Importé par :  
Costco Wholesale Canada Ltd.\*  
415 W. Hunt Club Road  
Ottawa, Ontario  
K2E 1C5, Canada  
1-800-463-3783  
www.costco.ca

\* faisant affaire au Québec sous le nom Les Entrepôts Costco

Importado por:  
Importadora Primex S.A. de C.V.  
Blvd. Magnocentro No. 4  
San Fernando La Herradura  
Huixquilucan, Estado de México  
C.P. 52765  
RFC: IPR-930907-S70  
(55)-5246-5500  
www.costco.com.mx

Imported by:  
Costco Wholesale UK Ltd /  
Costco Online UK Ltd  
Hartspring Lane  
Watford, Herts  
WD25 8JS  
United Kingdom  
01923 213113  
www.costco.co.uk

Importado por:  
Costco Wholesale Spain S.L.U.  
Poligono Empresarial Los Gavilanes  
C/ Agustín de Betancourt, 17  
28906 Getafe (Madrid) España  
NIF: B86509460  
900 111 155  
www.costco.es

Distributed by:  
Costco Wholesale Iceland ehf.  
Kaupþún 3-7, 210 Gardabaer  
Iceland  
www.costco.is

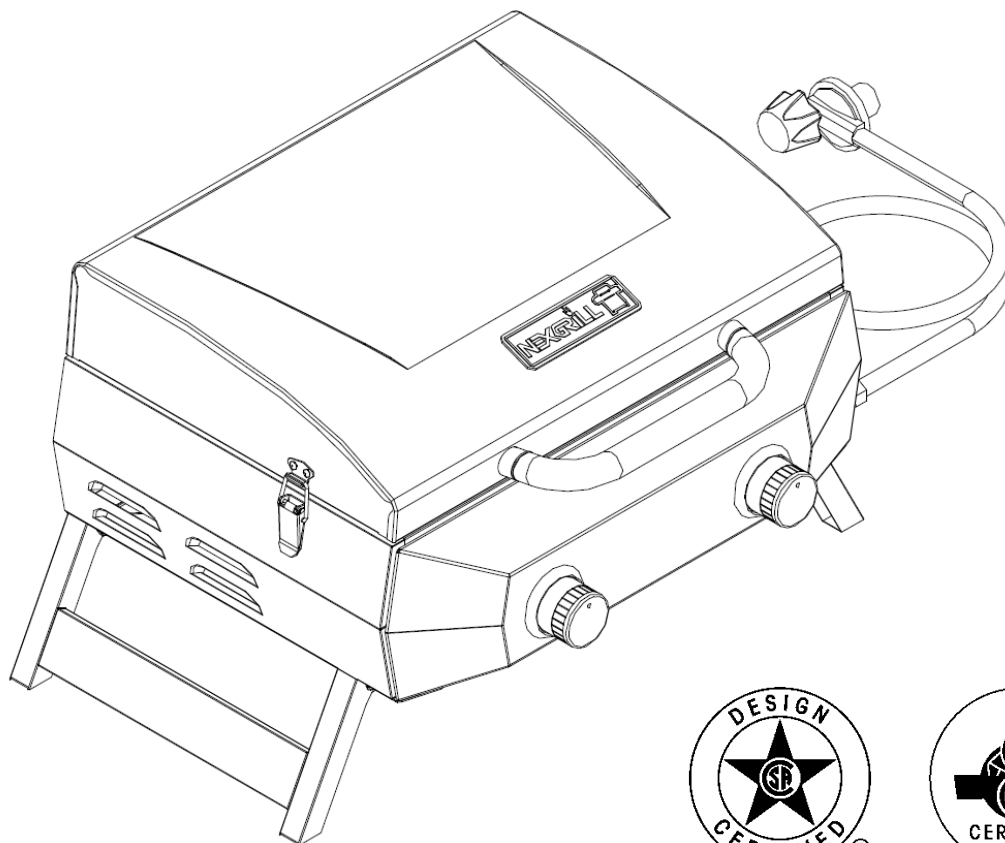
istribué par :  
Costco France  
1 avenue de Bréhat  
91140 Villebon-sur-Yvette  
France  
01 80 45 01 10  
www.costco.fr

Imported by / Manufactured for:  
Costco President Taiwan, Inc.  
No. 656 Chung-Hwa 5th Road  
Kaohsiung, Taiwan  
Company Tax ID: 96972798  
0800-885-889  
www.costco.com.tw





# Instrucciones de Uso



19000422A2

No. DE SERIE # \_\_\_\_\_ FECHA DE MANUF.: \_\_\_\_\_ FECHA DE COMPRA: \_\_\_\_\_

- **Este manual de instrucciones contiene información importante necesaria para el correcto montaje y el uso seguro del aparato .**
- **Lea y siga todas las advertencias e instrucciones antes de ensamblar y usar el aparato .**
- **Siga todas las advertencias e instrucciones cuando se utiliza el aparato.**
- **Conserve este manual para futuras referencias .**



**Preguntas, problemas, piezas faltantes?** Antes de volver a la tienda , llame al Departamento de Servicio al Cliente al (866) 984-7455 en los E.U. y (800) 648-5864 en Canada de 8 a.m.-5 p.m., PST. Lunes –Viernes. Idiomas hablados: Ingles, Español, y Frances. También puede comunicarse con nosotros por correo electrónico a: [CostcoService@grillservices.com](mailto:CostcoService@grillservices.com).

## ÍNDICE

Índice.....	34	Instrucciones de uso.....	40
Instrucciones de seguridad.....	35	Cuidado y mantenimiento .....	41
Preparación.....	37	Localización y resolución	
Instrucciones de instalación.....	38	de problemas.....	43
		Garantía limitada .....	44

### PELIGRO

Si usted siente olor a gas:

1. Cierre el suministro de gas al aparato.
2. Extinga cualquier llama que esté al descubierto.
3. Abra la tapa.
4. Si continúa el olor, manténgase lejos del aparato y llame inmediatamente a su proveedor de gas o al departamento de bomberos.

En caso de que estas instrucciones no se cumplieran, ello podría dar como resultado un incendio o una explosión que podría causar lesiones corporales graves, la muerte o daños a la propiedad.

### DANGER

1. Nunca opere este dispositivo sin prestarle atención.
2. Nunca opere este dispositivo dentro de una distancia de 10 pies (3,05 m) de cualquier tipo de estructura, material combustible u otro cilindro con gas.
3. Nunca opere este dispositivo dentro de una distancia de 25 pies (7,62 m) de cualquier tipo de líquido inflamable.
4. No llene el recipiente de cocción más allá de la línea de llenado máximo.
5. Los líquidos calentados mantienen la temperatura de hervor aun mucho después del proceso de cocción. No toque el dispositivo de cocción hasta que la temperatura de los líquidos haya bajado a 115°F (46°C) o menos.
6. Este dispositivo no está diseñado ni debe usarse para calentar.
7. En caso de incendio, manténgase alejado del dispositivo e inmediatamente llame al departamento de bomberos. No intente extinguir el fuego originado por grasa o aceite con agua.

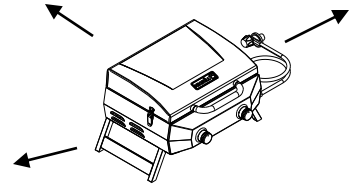
En caso de que estas instrucciones no se cumplieran, ello podría dar como resultado un incendio o una explosión que podría causar lesiones corporales graves, la muerte o daños a la propiedad.

## **INFORMACIÓN DE SEGURIDAD**

Lea las siguientes instrucciones con cuidado antes de ensamblar, instalar u operar el producto. El incumplimiento de estas instrucciones puede ocasionar lesiones graves y daños materiales. Para obtener un reemplazo del product. Porfavor, llame al Departamento de Servicio al Cliente al 1-866-984-7455 en los E.U. y 1-800-648-5864 en Canada. Lenguages ablados: Ingles, Espanol, y Frances de 8 a.m.-5 p.m., PST. Lunes –Viernes. CostcoService@grillservices.com.

El cilindro de suministro de gas LP debe estar construido y marcado según las especificaciones para los cilindros de gas LP del Departamento de Transporte de los Estados Unidos de América (DOT) o según la norma nacional de Canadá, CAN-B339, Cilindros, esferas y tubos para el transporte de artículos peligrosos.

1. La instalación debe apegarse a las normas locales o, a falta de éstas, a los códigos nacionales de gas combustible, al Código Nacional de Gas combustible ANSI Z223.1 / NFPA 54, Almacenamiento y manejo de gases de petróleo licuados, ANSI / NFPA 58, o la norma de vehículos recreativos ANSI A119.2 / NFPA 1192 y el código de vehículos recreativos CSA Z240 RV, según sea el caso.
2. La parrilla para mostradores se debe utilizar exclusivamente en lugares abiertos. La parrilla debe usarse en lugares bien ventilados. Nunca la use en espacios cerrados, como cocheras y edificios. La parrilla no debe instalarse en vehículos o barcos recreativos.
3. Los líquidos calentados mantienen la temperatura de hervor aun mucho después del proceso de cocción. No toque el dispositivo de cocción hasta que la temperatura de los líquidos haya bajado a 46° C / 115 °F o menos.
4. No la instale ni la use a menos de 91,44 cm / 36 in de distancia de materiales combustibles, contando de la parte trasera y de los lados de la parrilla. La parrilla no debe de colocarse debajo de superficies elevadas (cochera cerrada, cochera, porche, patio) que puedan arder.
5. Nunca trate de conectar esta parrilla al sistema autónomo de gas LP de un remolque o casa rodante.
6. Es responsabilidad del dueño y de quien la ensamble ensamblar, instalar y darle mantenimiento a la parrilla de gas. No deje que los niños operen la parrilla para mostradores ni que jueguen ellos y las mascotas cerca de ella. El incumplimiento de estas instrucciones puede ocasionar lesiones graves y daños materiales.
7. Quite la tapa antes de encender la parrilla. Cuando la parrilla no esté en uso, apague la perilla del cilindro de gas LP.
8. Siga cuidadosamente las instrucciones de esta manual para ensamblar debidamente la parrilla y detectar si tiene fugas. No use la parrilla hasta haber revisado si tiene fugas. Si detecta una fuga en cualquier momento, debe detenerla y corregirla antes de seguir usando la parrilla.
9. El área del aparato debe de mantenerse limpia y sin materiales combustibles, gasolina, gas embotellado en cualquier forma y otros vapores y líquidos inflamables. No obstruya el flujo de combustión y del aire de la ventilación.
10. ¡Nunca trate de encender la parrilla con la tapa cerrada! La acumulación de gases es muy peligrosa y puede causar una explosión.
11. Mantenga todos los cables eléctricos y la manguera de combustible alejados de superficies calientes.
12. El propano es un gas inflamable y su manejo incorrecto puede causar explosiones, incendios y otros accidentes y lesiones graves.
15. Este aparato será antes y después del uso. Use guantes aislados para horno u otro tipo de guantes para protegerse de las superficies calientes y las salpicaduras de los líquidos de cocción.
16. No descuide el asador mientras lo esté utilizando.
17. No lo use bajo los efectos de drogas o alcohol.
18. No guarde cilindros de repuesto de gas propano (LP), llenos o vacíos, abajo o cerca de la parrilla.
19. Este aparato no está destinado a usos comerciales ni para ser rentado.
20. Debe desconectar el cilindro cuando no utilice el aparato.



## **PELIGROS NATURALES • ARAÑAS**

DATO: A veces, las arañas y otros insectos pequeños trepan por el tubo del quemador. Las arañas tejen sus telas, construyen nidos y ponen huevos. Las telarañas y los nidos, aunque sean pequeños, son muy fuertes y pueden bloquear el flujo del gas. Limpie el quemador antes de usarlo después de haber estado guardado, al principio de la temporada de parrilladas o después de un mes de no haberlo usado.



## **! INFORMACIÓN DE SEGURIDAD**

### **El sistema de combustible**

Millones de personas usan las parrillas de gas sin peligro si siguen unas simples precauciones.

Los elementos del sistema de combustible están diseñados para funcionar con esta parrilla. No debe de reemplazarlos por ninguna otra marca. (Vea la lista de partes si necesita artículos de repuesto.)

**MECHERO DE GAS:** El mechero de gas está construido de acero inoxidable y no requiere más mantenimiento que la inspección para ver si hay insectos o nidos adentro de las ranuras de entrada del aire.

### **PRECAUCIÓN CON EL REGULADOR DE GAS LP**

Se debe usar el regulador de presión de gas que acompaña este dispositivo. Este regulador está equipado con el orificio requerido y está ajustado para la presión requerida de salida de este aparato. Esta combinación de especificaciones del tamaño del orificio y la regulación de la presión ofrece el desempeño en cocinado deseado para la parrilla para mostradores Nexgrill. Sustituir el regulador por cualquier otro dispositivo o por uno de otro fabricante es peligroso y puede causar lesiones graves.

### **MANGUERA DE SUMINISTRO DE COMBUSTIBLE**

La manguera conectada al regulador que viene con este aparato mide 91.44 cm / 3 pies de longitud. Mantenga la manguera de combustible alejada de cualquier superficie caliente.

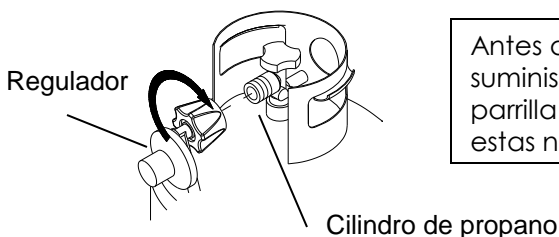
**COMBUSTIBLE PROPANO: Advertencia:** El propano es un gas inflamable. Su manejo incorrecto puede causar explosiones, incendios y otros accidentes y lesiones graves. La parrilla está diseñada para funcionar exclusivamente con gas propano (LP) y está equipada con el orificio indicado para gas propano.

**Precaución:** No conecte esta parrilla con ningún suministro de gas que no sea propano. El gas propano es más pesado que el aire y tiende a asentarse en las áreas bajas. Asegúrese de que haya una ventilación adecuada al usar la parrilla. Cuando no esté usando la parrilla puede guardar el cilindro de gas afuera, en un área bien ventilada y fuera del alcance de los niños

El cilindro de gas LP debe de usarse únicamente en exteriores y no en un edificio, una cochera o en otra área cerrada. La parrilla Nexgrill para mostradores puede guardarse en interiores si le quita el cilindro de gas LP y guarda éste en exteriores. El cilindro de gas LP (no incluido) tiene rosca para conectarse directamente con el regulador de gas suministrado con este aparato. Debe de tener cuidado al conectar el cilindro con el regulador para que las roscas se enganchen debidamente y se logre la conexión adecuada y deseada. Al conectar o desconectar el cilindro de gas, tenga cuidado de que el regulador no golpee la parrilla, el suelo nin ninguna otra superficie. Vuelva a poner la tapa de protección en la conexión de rosca del cilindro cuando lo retire de la parrilla. Si tiene cualquier dificultad al conectar o desconectar el cilindro del conjunto del regulador, comuníquese con su proveedor de gas para que lo ayude.

Al reconectar el cilindro de gas LP al regulador, apriete a mano hasta que esté bien ajustado. Después de cada reconexión, revise la conexión para ver si tiene daños o fugas.

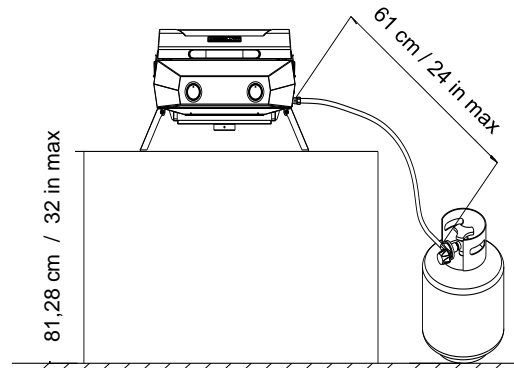
**Para detectar fugas** haga una solución jabonosa con una parte de detergente líquido y otra parte de agua. Necesita un rociador, un cepillo o un trapo para aplicar la solución en la junta. Si aparecen burbujas, esto indica que hay fugas.



Antes de utilizar la parrilla, verifique todos los accesorios de suministro de gas para buscar posibles fugas. No utilice la parrilla hasta no haber verificado todas las conexiones y que estas no pierdan.

## **!** ADVERTENCIA

- Siempre opere la parrilla en un mostrador que no tenga más de 81.28 cm / 32 in.
- Coloque el tanque de propano en el piso inmediatamente adyacente al mostrador, a no más de 61 cm / 24 in de distancia de la parrilla.
- No cumplir estas instrucciones puede hacer que el tanque de propano se sobrecaliente y ventile el propano, el cual podría encenderse ocasionando graves lesiones personales o daños materiales; además habría el riesgo de tropezarse con la manguera de gas o el tanque de propano, tirando la parrilla del mostrador lo que ocasionaría lesiones personales y daños materiales graves.



## **PREPARACIÓN**

Antes de iniciar el ensamblado, la instalación o la operación del producto revise que estén todas las piezas. Compare las piezas con el listado de contenidos del equipo y el diagrama anterior. Si cualquiera de las piezas falta o se encuentra dañada, no intente armar, instalar u operar el producto. Contacte al servicio al cliente para solicitar piezas de repuesto.

- La parrilla Nexgrill para mostradores ya viene ensamblada. El único ensamblado que se requiere es conectar las patas plegables y colocar los reguladores de flama, la parrilla de cocción y las perillas de control en el asador.
- Tiempo calculado de ensamblado: 5 minutos

## **INSTRUCCIONES DE INSTALACIÓN**

### **INSTALACIÓN DEL GAS**

Sólo debe utilizar el regulador de presión y el ensamble de la manguera que vienen con la parrilla. Todo reemplazo del regulador de presión y del ensamble de la manguera debe ser el que indica el fabricante de la parrilla. Esta parrilla está configurada para su uso con propano líquido. No utilice un suministro de gas natural.

El consumo total de gas (por hora) con todos los mecheros en la posición máxima (HI):

Mecheros principales	20,000 BTU / Hr.
Total	20,000 BTU / Hr.

La instalación de este aparato debe cumplir con los códigos locales o, en ausencia de ellos, con el código nacional de gas combustible ANSI Z223.1 / NFPA 54, el código nacional de instalación de gas propano, CSA B149.1, el código de almacenamiento y manejo de propano B149.2, o la norma de vehículos recreativos ANSI A119.2 / NFPA 1192 y CSA Z240 serie RV del código de vehículos recreativos, según corresponda.

### **REQUISITOS DEL CILINDRO DE PROPANO LÍQUIDO (Cilindro de 9.07 kg / 20 libras)**

Si el cilindro de propano líquido está abollado u oxidado puede resultar peligroso y su proveedor debe revisarlo. Jamás utilice un cilindro con una válvula dañada. El cilindro de propano líquido debe estar construido y comercializado según lo dispuesto para los cilindros de propano líquido por el Departamento de Transporte de los Estados Unidos de América (DOT) o según la norma nacional de Canadá CAN / CSA-B339 de la Comisión de Cilindros, Esferas y Tubos para el Transporte de Artículos Peligrosos.

El cilindro de 9 kg-20 libras debe tener una válvula de cierre con una terminal en una válvula de salida específica para conexiones tipo QCC1 según los estándares para salidas de válvulas de los cilindros para gas comprimido y las conexiones de entrada ANSI / CGA-V-1, según corresponda.

Podrá guardar el dispositivo de cocción a gas para espacios abiertos en un lugar cerrado sólo si desconecta el cilindro y lo quita del dispositivo. El sistema del cilindro debe estar adaptado para la salida de vapores. El cilindro debe contar con un aro que proteja a la válvula del cilindro.

Presión del colector: (en operación) columna de agua de 27.94 cm / 11 in (c.d.a.), (sin operar) columna de agua de 28.45 cm / 11.2 in (c.d.a.).

El cilindro de suministro de gas LP debe contar con un dispositivo de protección de sobrecarga.

Retire la cubierta de plástico de la válvula del cilindro de propano líquido. Revise que las mangueras de gas de la parrilla no entren en contacto con el depósito de grasa o el fogón al colocar el cilindro de propano líquido en el carro.

### **DESCONEXIÓN DEL CILINDRO DE PROPANO LÍQUIDO**

Para conectar el cilindro de suministro de gas propano líquido:

La válvula del cilindro debe estar en la posición de cerrado "OFF". Si no está así, gire la válvula en el sentido de las manecillas hasta que se detenga.

Revise que la válvula del cilindro tenga la conexión de rosca macho tipo 1 adecuadas, conforme la norma ANSI Z21.81.

Asegúrese de que todas válvulas de los mecheros estén en posición de apagado "OFF".

Revise las conexiones de las válvulas, los puertos y el ensamble del regulador. Quite los residuos e inspeccione si la manguera tiene daños.

Al conectar el ensamble del regulador a la válvula, ajuste la tuerca manualmente en el sentido de las agujas del reloj hasta que haga tope. Usar una llave de tuercas dañaría la tuerca de acoplado rápido y generaría una situación peligrosa.

Abra la válvula del cilindro por completo girando la válvula en el sentido contrario a al de las agujas del reloj. Antes de encender la parrilla, use una solución de agua jabonosa para revisar todas las conexiones a fin de detectar posibles fugas.

En caso de encontrar una fuga, gire la válvula del cilindro a la posición de cerrado "OFF" y no use la parrilla hasta que un proveedor local de propano líquido pueda realizar la reparación.

### **! ADVERTENCIA**

Jamás intente utilizar equipamiento dañado u obstruido. Póngase en contacto con su proveedor local de propano líquido para solicitar reparaciones.

## **INSTRUCCIONES DE INSTALACIÓN**

### **DESCONEXIÓN DEL CILINDRO PROPANO LÍQUIDO**

Gire las válvulas del mechero de la parrilla a la posición de apagado (OFF) y asegúrese de que la parrilla esté fría. Ponga la válvula del cilindro de propano líquido en posición de apagado (OFF) girándola en sentido de las agujas del reloj hasta que se detenga.

Desprenda el ensamble del regulador de la válvula del cilindro girando la tuerca de acoplado rápido en sentido contrario de las agujas del reloj.

Coloque la tapa anti-polvo sobre la salida de la válvula del cilindro siempre que el mismo no esté en uso. Solo instale la tapa anti-polvo

en la salida de la válvula del cilindro que se proporciona con ésta. Otros tipos de tapas o tapones pueden causar fugas de propano.

### **PRUEBA DE DETECCIÓN DE FUGAS**

#### **GENERALIDADES**

A pesar de que se ha realizado la prueba de detección de fugas en todas las conexiones de gas de la parrilla antes del envío, se debe realizar una prueba de detección de fugas completa en el lugar de instalación. Antes de cada uso, revise todas las conexiones de gas para detectar posibles fugas siguiendo los procedimientos detallados a continuación.

Si detecta olor a gas en cualquier momento, debe, de inmediato, verificar el sistema completo para hallar fugas.

#### **ANTES DE REALIZAR LAS PRUEBAS**

Asegúrese de haber quitado todos los envoltorios de la parrilla, incluso las correas utilizadas para atar el mechero.

#### **! ADVERTENCIA**

Antes de utilizar el asador revise si hay fugas en los accesorios de suministro de gas. No utilice la parrilla hasta no haber verificado que ninguna conexión tenga fugas. No fume mientras busca fugas de gas. Nunca busque fugas de gas cuando haya una llama encendida.

Haga una solución con la mitad de detergente líquido y la mitad de agua. Necesitará un rociador, un cepillo o un trapo para aplicar la solución sobre los accesorios. Cuando realice la primera prueba de detección de fugas revise que esté lleno el cilindro de propano líquido.

#### **PARA HACER LA PRUEBA**

1. Cierre las válvulas de los mecheros.
2. Gire la válvula del cilindro de propano líquido en el sentido contrario de las manecillas del reloj para abrir la válvula.
3. Aplique la solución jabonosa en todos los accesorios de gas. En caso de que haya alguna fuga, aparecerán burbujas de jabón.
4. En caso de que haya una fuga, cierre el suministro de gas de inmediato y ajuste los accesorios que tengan pérdidas.
5. Vuelva a abrir el paso de gas y verifique nuevamente.
6. Para obtener un reemplazo del product. Porfavor, llame al Departamento de Servicio al Cliente al 1-866-984-7455 en los E.U. y 1-800-648-5864 en Canada. Lenguages ablados: Ingles, Espanol, y Frances de 8 a.m.-5 p.m., PST. Lunes – Viernes. CostcoService@grillservices.com.
7. En caso de que exista abrasión o desgaste excesivo o si la manguera está cortada, esta debe reemplazarse antes de utilizar el dispositivo de cocción a gas para espacios abiertos.

Sólo deben utilizarse en la parrilla aquellas partes que recomienda el fabricante. El reemplazo de cualquier parte dejará sin efecto la garantía.

#### **! ADVERTENCIA**

No guarde la parrilla en un ambiente cerrado a menos que el cilindro esté desconectado. No guarde el cilindro en un edificio, cochera u otra área cerrada y manténgalo fuera del alcance de los niños en todo momento.

#### **VERIFICACIÓN FINAL DEL INSTALADOR**

Mantener la distancia especificada de 60 cm (24") con respecto de los materiales combustibles y la construcción.

- Se han quitado todos los envoltorios internos.
- La manguera y el regulador se han conectado adecuadamente al cilindro de propano líquido.
- Se ha realizado la prueba en la unidad y no se han detectado fugas.
- Se ha localizado la válvula de cierre del suministro de gas.
- Todos los mecheros están instalados.
- Conserve este instructivo para consultas futuras.

### ! ADVERTENCIA

1. La parrilla y su válvula individual de apagado deben desconectarse del sistema de tuberías de suministro de gas cuando se realice una prueba de presión del sistema a presiones mayores de ½ LPPC (3 kPa).
2. Se debe aislar el dispositivo de cocción para exteriores del sistema de tuberías de suministro de gas cerrando la válvula individual de cerrado manual durante la realización de cualquier prueba de presión del sistema de tuberías de suministro de gas cuando las presiones sean iguales o menores de ½ LPPC (3.5 kPa).

### ! ADVERTENCIA

1. No guarde los cilindros de propano líquido de repuesto debajo de o cerca de este aparato.
2. Nunca llene el cilindro a más del 80 por ciento de su capacidad.
3. Si no se cumplen exactamente las instrucciones de los puntos 1 y 2 puede ocurrir un incendio o explosión que provoque muertes o lesiones graves.

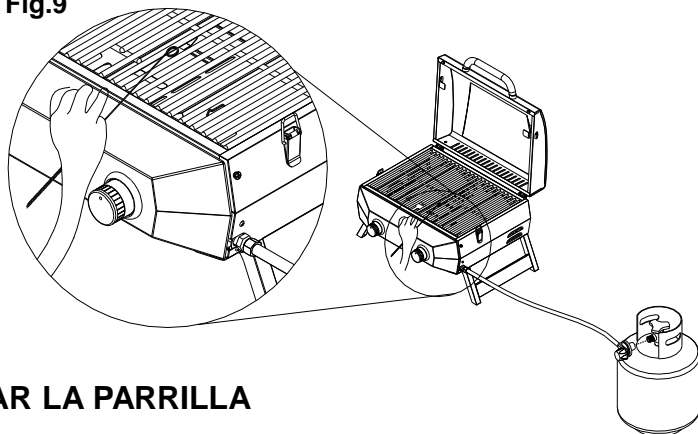
## INSTRUCCIONES DE USO

### CÓMO ENCENDER LA PARRILLA

1. Coloque las patas en posición vertical.
  2. Revise que el cilindro de propano estén bien enroscado al regulador (apretado solo a mano).
  3. Abra la tapa. Siempre abra la tapa al encenderla.
  4. Presione y lentamente gire la perilla del mechero principal a la posición IGNITE / HIGH (ENCENDER / MÁXIMO), como se muestra en la figura 8. El mechero debe encenderse de inmediato.
  5. Si no enciende en 3 a 5 segundos, gire la perilla de control a "OFF". Espere 5 minutos para volver a tratar de encender la parrilla. Para obtener un reemplazo del product. Porfavor, llame al Departamento de Servicio al Cliente al 1-866-984-7455 en los E.U. y 1-800-648-5864 en Canada. Lenguages ablados: Ingles, Espanol, y Frances de 8 a.m.-5 p.m., PST. Lunes –Viernes. CostcoService@grillservices.com.
- Con el mechero encendido, cierre la tapa suavemente y espere de 20 a 30 minutos para que se caliente la parrilla antes de usarla.

Nota: Si la perilla no saca chispa, inserte el cerillo en la varilla de encendido como se muestra en la figura 9. Encienda el cerillo e insértelo a través de las rejillas de cocción hacia el mechero.

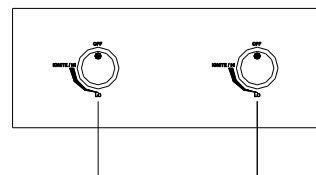
Fig.9



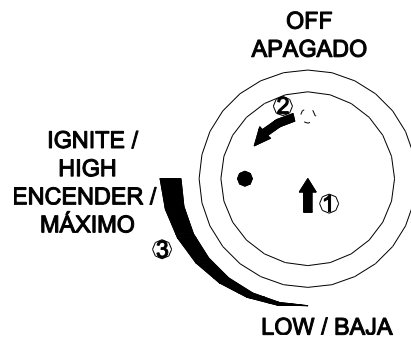
### CÓMO APAGAR LA PARRILLA

1. Gire la perilla a la posición de apagado (OFF).
  2. Gire la perillas de control del cilindro de propano a la posición de apagado (OFF).
- Precaución:** No trate de volver a encender la parrilla sin seguir todas las instrucciones de encendido.
3. Espere por lo menos 30 minutos a que la parrilla se enfríe antes de moverla o transportarla.

Fig.8



Mecheros Principales



1. Empujar
2. Gire la perilla a IGNITE / HIGH (ENCENDER / MÁXIMO).
3. Ajustar flama



## INSTRUCCIONES DE USO

### CARACTERÍSTICAS DE LA LLAMA

Controle que la llama del mechero tenga las características adecuadas. Las llamas del mechero deben ser de color azul y estables, no deben tener puntas amarillas, ni levantarse como se muestra en la figura 10. Se deben seguir los siguientes pasos para corregir las características de la llama:

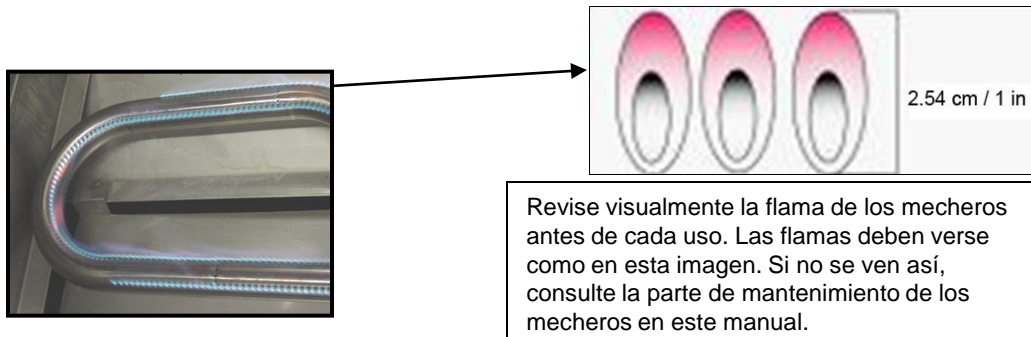
Ponga las perillas de control y las válvulas del cilindro de propano líquido en la posición "OFF".

Deje enfriar la parrilla y los mecheros.

Si la llama es amarilla (sin suficiente aire), gire el tornillo de ajuste que se encuentra en la parte delantera del mechero en el sentido contrario a las manecillas.

Si la llama hace ruido o se eleva fuera del mechero (demasiado aire), gire el tornillo de ajuste en el sentido de las agujas del reloj.

Para obtener un reemplazo del producto. Por favor, llame al Departamento de Servicio al Cliente al 1-866-984-7455 en los E.U. y 1-800-648-5864 en Canada. Lenguajes hablados: Inglés, Español, y Francés de 8 a.m.-5 p.m., PST. Lunes -Viernes. CostcoService@grillservices.com.



### CÓMO UTILIZAR LA PARRILLA

1. Encuentre una superficie plana para asar.
2. Deje que la parrilla se caliente con la tapa cerrada unos 5 minutos antes de empezar a cocinar.
3. Se puede cocinar en la parrilla en cualquier clima. Si la temperatura es en extremo fría o caliente, el tiempo de cocción puede aumentar o reducirse ligeramente. Mantenga la parrilla lejos de corrientes de aire al usarla.
4. Los tiempos de cocción que se indican a continuación son solo sugerencias. El tiempo de cocción varía con el grosor de la carne y el grado deseado de cocción.

### ASADOS

- Bistec (T-Bone), corte grueso, término medio: asar 10 minutos cada lado con la flama en MED.
- Pollo (cuartos), tamaño promedio: asar 30 minutos por lado con flama en MED. Revise el término.
- Puerco (costillas, chuletas): Asar 10-20 minutos por lado con flama en MED. Revise el término.
- Pescado: Asar 20-30 minutos con flama en LOW.
- Pavo (pechuga): Asar 10 minutos por libra (454 gr) o hasta que la temperatura alcance los 170 °F (76 °C) con flama en MED.

## CUIDADO Y MANTENIMIENTO

Es muy poco el cuidado y el mantenimiento que se necesita. La parrilla para mostradores está diseñada y fabricada con materiales que duran muchos años con uso normal. Siga estas instrucciones para prolongar la duración de la parrilla y aumentar la calidad de su cocina. Para asegurar el funcionamiento de la parrilla, el área de cocción siempre debe estar libre de materiales combustibles de cualquier tipo, como gasolina y otros vapores y líquidos inflamables.

Las partes externas de la parrilla son de acero inoxidable. Pueden limpiarse fácilmente con agua jabonosa tibia o cualquier limpiador de acero inoxidable.

Rejilla de cocción y depósito de grasa. La rejilla de cocción está hecha de acero inoxidable. La rejilla de cocción debe cepillarse con un cepillo de acero inmediatamente después de cocinar mientras aún esté caliente. El depósito de grasa también es de acero inoxidable y puede limpiarse con un raspador plano, como una espátula. **Precaución:** El depósito de grasa debe mantenerse limpio y libre de residuos acumulados para que la parrilla funcione debidamente y se eliminen las llamaradas.

## CUIDADO Y MANTENIMIENTO

**Mecheros principales de la parrilla.** Debe tenerse mucho cuidado al retirar los mecheros. Deben estar centrados correctamente en los orificios antes de volver a encender la parrilla. La frecuencia de limpieza dependerá de cuán a menudo utilice la parrilla.

Si no logra colocar correctamente el mechero sobre el orificio podría provocar un incendio detrás o debajo del panel de válvulas y por lo tanto, se podría dañar la parrilla y su utilización no sería del todo segura.

Antes de limpiar la parrilla, asegúrese de que el suministro de gas y las perillas de control estén en la posición de apagado "OFF" y de que los mecheros se hayan enfriado.

Cómo remover los mecheros principales para su limpieza:

1. Localice el tornillo del mechero en la parte trasera del fogón.
2. Retire el tornillo y levante el mechero para sacarlo del fogón.

Cómo limpiar los mecheros de la parrilla:

1. Limpie la parte externa del mechero con un cepillo de alambre. Use una espátula de metal para sacar los residuos o las manchas difíciles.
2. Limpie los puertos obstruidos con un clip estirado. Nunca use un palillo de madera ya que podría romperse y obstruir el puerto.
3. Inspeccione y limpie los tubos de los mecheros y el difusor en caso de que haya insectos o nidos de insectos. Un tubo obstruido puede provocar un fuego por debajo de los mecheros y el difusor y por detrás del panel de control principal.

Cómo reinstalar los mecheros principales:

1. Inserte el mechero sobre la válvula de gas del mechero principal.
2. Asegúrese de que el pasador del orificio (A) se encuentre dentro del difusor del mechero (B) como se muestra en la figura 11.
3. Alinee el agujero del tornillo del mechero con el agujero del fogón, inserte el tornillo y apriete.

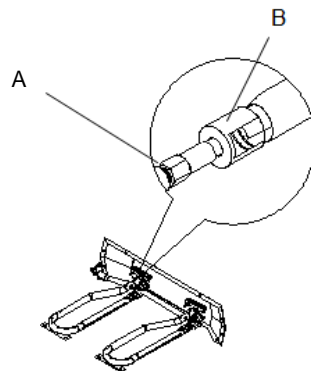


Fig. 11

**Fogón.** Use agua jabonosa tibia para limpiar esta área. No permita que se acumule la grasa.

**Hoyo de drenaje.** Debe mantener libre de grasa y partículas de comida al hoyo de drenaje para permitir que el goteo se drene debidamente hacia el depósito de grasa. Debe de hacer esto para mantener el funcionamiento correcto de la parrilla.

**General.** Esta parrilla y todo su equipo se verá mejor y durará más tiempo si la guarda cuando no la esté usando.

**Precaución:** No guarde cilindros de gas propano en áreas cerradas. Cuando vaya a ponerle una cubierta o a moverla, espere que la parrilla se enfríe por lo menos durante 30 minutos.

- No obstruya el flujo de combustión y del aire de la ventilación.
- Un tubo obstruido puede ocasionar un incendio debajo del aparato.

**Esta unidad debe conservarse en un área libre de materiales combustibles, gasolina y otros vapores y líquidos inflamables.**

**Revise que todas las aperturas del cuerpo de la parrilla estén libres de bloqueos o desechos y que no haya objetos o materiales que bloqueen el flujo del combustible o de la ventilación. Revise que las patas estén en posición vertical al utilizar la parrilla.**

**Revise que en las aperturas de toma de aire de los mecheros (detrás de la guarda de entrada en el extremo derecho del cuerpo de la parrilla) no haya nidos de insectos ni otras obstrucciones. Revise que estén despejadas las ranuras del tubo del mechero.**

**Cuando la parrilla no esté en uso, ponga la perilla de control en la posición "OFF" y quite el cilindro de propano del regulador. Quite el regulador del mechero.**

**Para uso exclusivamente en exteriores. Si la guarda en interiores, desconecte el cilindro de propano y guarde éste en exteriores. Los cilindros de propano deben de guardarse lejos del alcance de los niños.**

### **Importante**

**Al usarla la primera vez: Es importante que la parrilla esté encendida y se deje calentar por lo menos 30 minutos antes de poner los alimentos en la rejilla de cocción. Es normal que haya algo de humo durante la operación inicial de la parrilla. Después del calentamiento inicial, la parrilla está lista para usarse. Puede usar un rocío de cocina en las rejillas de cocción para facilitar la limpieza posterior.**

## Localización y resolución de problemas

**ESTE DISPOSITIVO DE COCCIÓN ES PARA USO EXCLUSIVO EN EXTERIORES Y NO DEBE DE USARSE EN EDIFICIOS, COCHERAS O CUALQUIER OTRA ÁREA CERRADA.**

### **INSTRUCCIONES PARA TRASLADARLO**

**Precaución: Nunca mueva la parrilla con los mecheros encendidos.**

**Revise que la perilla de control esté en la posición de apagado "OFF". Desconecte el cilindro de propano del regulador.**

**Quite el regulador de la parrilla. Asegúrese de que la parrilla se haya enfriado por completo durante 30 minutos por lo menos.**

**Cierre la tapa y fije el pestillo. Coloque las patas en posición hacia abajo. Use el asa para trasladar la parrilla.**

**Nota: Es mejor dejar la charola de grasa fijada a la parte inferior de la parrilla; durante el traslado puede seguir goteando algo de grasa por el agujero de drenaje.**

### **ADVERTENCIA SOBRE INSECTOS**

Las arañas y los insectos pueden anidarse en los mecheros de esta o de cualquier otra parrilla y esto hará que el gas no fluya correctamente. Este es un cuadro muy peligroso ya que puede provocar un incendio detrás o debajo del panel de válvulas y por lo tanto, se podría dañar la parrilla y su utilización no sería del todo segura. Inspeccione la parrilla al menos dos veces por año.

### **CUÁNDO INSPECCIONAR EN BÚSQUEDA DE ARAÑAS**

Debe inspeccionar los mecheros una vez al año o inmediatamente después de que ocurra cualquiera de las siguientes situaciones:

1. Olor a gas junto con llamas amarillas en los mecheros.
2. La parrilla no toma temperatura.
3. La parrilla no se calienta de manera uniforme.
4. Los mecheros hacen ruido como si reventaran.

PROBLEMA	ACCION CORRECTIVA
La parrilla no enciende	<ol style="list-style-type: none"><li>1. Revise para ver si el cilindro de propano líquido está vacío.</li><li>2. Revise los puertos del quemador para verificar si hay bloqueos. Use un cepillo de alambre suave para despejar los puertos obstruidos.</li><li>3. Revise el orificio del gas en el quemador para verificar si hay una obstrucción. Si el orificio está bloqueado, limpie con una aguja o un alambre fino.</li></ol> <p><b>NUNCA USE UN MONDADIENTES DE MADERA.</b></p>
La llama del quemador es amarilla o naranja y hay olor a gas.	<ol style="list-style-type: none"><li>1. Revise si hay arañas o insectos.</li><li>2. Llame al Servicio al Cliente al 1-866-984-7455 en los E.U. y 1-800-648-5864 en Canadá. Lenguajes hablados: Inglés, Español, y Francés de 8 a.m.-5 p.m., PST. Lunes –Viernes. CostcoService@grillservices.com.</li></ol>
Poco calor con la perilla de control en la posición "HIGH".	<ol style="list-style-type: none"><li>1. Asegúrese de que el área de la parrilla esté libre de polvo.</li><li>2. Asegúrese de que el quemador y el orificio estén limpios.</li><li>3. Revise si hay arañas o insectos.</li><li>4. ¿Hay un suministro de gas suficiente?</li><li>5. ¿Se precalentó la parrilla durante 15 minutos?</li></ol>

Debe inspeccionar los mecheros una vez al año o inmediatamente después de que ocurra cualquiera de las siguientes situaciones.

## **Garantía limitada (Modelo # 820-0007)**

Nexgrill garantiza solamente al consumidor-comprador original de este producto (Modelo N° 820-0007 que el mismo estará libre de defectos en los materiales y la mano de obra después del ensamblaje correcto y bajo uso normal y razonable en el hogar, durante los períodos indicados a continuación, a partir de la fecha de compra. El fabricante se reserva el derecho de exigir evidencia fotográfica del daño o la devolución de las piezas defectuosas con los gastos por envío y / o flete prepagados por el consumidor, para su revisión y examen.

**Quemadores:** Garantía LIMITADA de 3 años contra perforaciones,

**Regulador de flama:** Garantía LIMITADA de 1 años contra perforaciones,

**Rejillas y parrillas:** Garantía LIMITADA de 1 años; no cubre caídas, desportilladuras, rayones ni daños en la superficie.

**Piezas de acero inoxidable:** Garantía LIMITADA de 3 años contra perforaciones; no cubre problemas estéticos tales como corrosión en la superficie, rayones ni óxido.

**Todas las otras piezas:** Garantía LIMITADA de 1 año (incluye, pero sin limitación, válvulas, marco, alojamiento, carro, panel de control, encendedor, regulador, mangueras); no cubre desportilladuras, corrosión en la superficie agrietada, rayones ni óxido.

Una vez que el consumidor provea la prueba de compra como se indica en la presente, el Fabricante reparará o reemplazará las piezas que hayan probado ser defectuosas durante el período cubierto por la garantía. Las piezas necesarias para completar la reparación o el reemplazo se proveerán gratuitamente, excepto por los costos de envío, siempre y cuando el comprador esté dentro del período de la garantía a partir de la fecha de compra original. El comprador-consumidor original será responsable por todos los cargos por envío de las piezas reemplazadas bajo los términos de esta garantía limitada. Esta garantía limitada es aplicable solamente en los Estados Unidos, está disponible solamente para el dueño original del producto y no es transferible. El fabricante requiere una prueba razonable de la fecha de compra. Por lo tanto, usted deberá conservar su recibo de compra y / o la factura. Si la unidad fue recibida como regalo, solicite a la persona que le hizo el regalo que envíe el recibo en su nombre a la dirección que aparece debajo. Las piezas defectuosas o faltantes que estén cubiertas por esta garantía limitada no serán reemplazadas sin el registro o la prueba de compra. Esta garantía limitada se aplica SOLAMENTE a la funcionalidad del producto y no cubre problemas estéticos tales como rayones, abolladuras, corrosión o decoloración ocasionada por el calor, los limpiadores abrasivos y químicos o cualquier herramienta usada en el ensamblaje o la instalación del aparato, óxido de la superficie o decoloración de las superficies de acero inoxidable. El óxido, la corrosión o las desportilladuras de la pintura en polvo de la superficie en las piezas de metal que no afecten la integridad estructural del producto no se considera un defecto en la mano de obra ni en los materiales, y por lo tanto no están cubiertos bajo esta garantía. Bajo esta garantía limitada, usted no recibirá un reembolso por el costo de cualquier inconveniencia, alimento, herida personal o daño a la propiedad. Si no existe una pieza original de repuesto, se le enviará una pieza de repuesto equivalente. Usted será responsable por todos los cargos por envío de las piezas reemplazadas bajo los términos de esta garantía limitada.

### EL FABRICANTE NO PAGARÁ POR LOS SIGUIENTES ARTÍCULOS:

- Visitas de servicio a su hogar.
- Reparaciones cuando su producto se use de un modo diferente al doméstico o residencial normal de una familia.
- Daños causados por accidente, alteración, uso indebido, falta de mantenimiento / limpieza, abuso, incendio, inundación, actos fortuitos, instalación incorrecta, instalación que no esté de acuerdo con los códigos eléctricos o de plomería, o el empleo de productos no aprobados por el fabricante.
- Cualquier pérdida de comida debida a la falla del producto.
- Costos de piezas de repuesto o gastos de reparación para unidades que se empleen fuera de los Estados Unidos o Canadá.
- Recogida y entrega de su producto.
- Cargos por envío o cargos por procesamiento de fotos enviadas como documentación.
- Reparaciones de piezas o sistemas como resultado de modificaciones no autorizadas que se hayan efectuado en el producto.
- La remoción y / o reinstalación del producto.
- Costos por transporte, común o acelerado, para las piezas de repuesto bajo garantía o sin garantía.

### **■ EXCLUSIÓN DE GARANTÍAS IMPLÍCITAS; LIMITACIÓN DE RECURSOS**

■ La reparación o el reemplazo de las piezas defectuosas será su único recurso bajo los términos de esta garantía limitada. El fabricante no será responsable por cualquier daño consecuente o incidental que surja del incumplimiento de esta garantía limitada o de cualquier garantía implícita que sea aplicable, ni por la falla o daños ocasionados por actos fortuitos, el cuidado y mantenimiento inadecuados, incendios ocasionados por grasa, accidentes, alteraciones, el reemplazo de piezas por parte de alguien que no sea el Fabricante, uso indebido, transporte, uso comercial, abuso, medioambientes hostiles (inclemencias del tiempo, catástrofes naturales, manipulación por parte de animales), instalación incorrecta o instalación que no esté de acuerdo con los códigos locales o las instrucciones impresas por el fabricante.

ESTA GARANTÍA LIMITADA SERÁ LA ÚNICA GARANTÍA EXPRESA OTORGADA POR EL FABRICANTE. NO EXISTIRÁ NINGUNA OTRA GARANTÍA POR PARTE DEL FABRICANTE CON RESPECTO AL DESEMPEÑO SEGÚN LA ESPECIFICACIÓN O LA DESCRIPCIÓN DEL PRODUCTO, EN DONDE SEA QUE APAREZCA, EXCEPTO EN LA MEDIDA EN QUE SE HA INDICADO EN ESTA GARANTÍA LIMITADA. TODA PROTECCIÓN POR GARANTÍAS IMPLÍCITAS QUE SURJA BAJO LAS LEYES DE CUALQUIER ESTADO. INCLUIDAS LAS GARANTÍAS IMPLÍCITAS DE COMERCIABILIDAD O DE CAPACIDAD PARA UN PROPÓSITO O USO EN PARTICULAR, ESTARÁ LIMITADA EN SU DURACIÓN A LA DURACIÓN DE ESTA GARANTÍA LIMITADA.

Ni los distribuidores, ni el establecimiento minorista que venda este producto, tendrán ninguna autoridad para hacer garantías adicionales o para prometer recursos adicionales a los establecidos anteriormente o en contra de los mismos. En todo caso, la máxima responsabilidad del fabricante no excederá del precio documentado por la compra del producto pagado por el consumidor original. Esta garantía se aplica solamente para las unidades compradas a un minorista o revendedor autorizado.

NOTA: Algunos estados no permiten la exclusión o limitación de daños incidentales o consecuentes, de modo que las limitaciones o exclusiones indicadas anteriormente pueden no aplicarse en su caso; esta garantía limitada le otorga derechos legales específicos según se indica en la presente. Es posible que usted tenga también otros derechos que varían de un estado a otro.

Si usted desea llevar a cabo una acción por cualquier obligación bajo esta garantía limitada, deberá escribir a:

**Nexgrill Customer Relations  
14050 Laurelwood Place,**

Para obtener un reemplazo del product. Porfavor, llame al Departamento de Servicio al Cliente al 1-866-984-7455 en los E.U. y 1-800-648-5864 en Canada. Lenguages ablados: Ingles, Espanol, y Frances de 8 a.m.-5 p.m., PST. Lunes Viernes. CostcoService@grillservices.com.

Imported by / Importé par :  
Costco Wholesale Canada Ltd.\*  
415 W. Hunt Club Road  
Ottawa, Ontario  
K2E 1C5, Canada  
1-800-463-3783  
www.costco.ca

\* faisant affaire au Québec sous le nom Les Entrepôts Costco

Importado por:  
Importadora Primex S.A. de C.V.  
Blvd. Magnocentro No. 4  
San Fernando La Herradura  
Huixquilucan, Estado de México  
C.P. 52765  
RFC: IPR-930907-S70  
(55)-5246-5500  
www.costco.com.mx

Imported by:  
Costco Wholesale UK Ltd /  
Costco Online UK Ltd  
Hartspring Lane  
Watford, Herts  
WD25 8JS  
United Kingdom  
01923 213113  
www.costco.co.uk

Importado por:  
Costco Wholesale Spain S.L.U.  
Poligono Empresarial Los Gavilanes  
C/ Agustín de Betancourt, 17  
28906 Getafe (Madrid) España  
NIF: B86509460  
900 111 155  
www.costco.es

Distributed by:  
Costco Wholesale Iceland ehf.  
Kaupþún 3-7, 210 Gardabaer  
Iceland  
www.costco.is

istribué par :  
Costco France  
1 avenue de Bréhat  
91140 Villebon-sur-Yvette  
France  
01 80 45 01 10  
www.costco.fr

Imported by / Manufactured for:  
Costco President Taiwan, Inc.  
No. 656 Chung-Hwa 5th Road  
Kaohsiung, Taiwan  
Company Tax ID: 96972798  
0800-885-889  
www.costco.com.tw