



# OUTDOOR TABLE TOP GAS GRILL

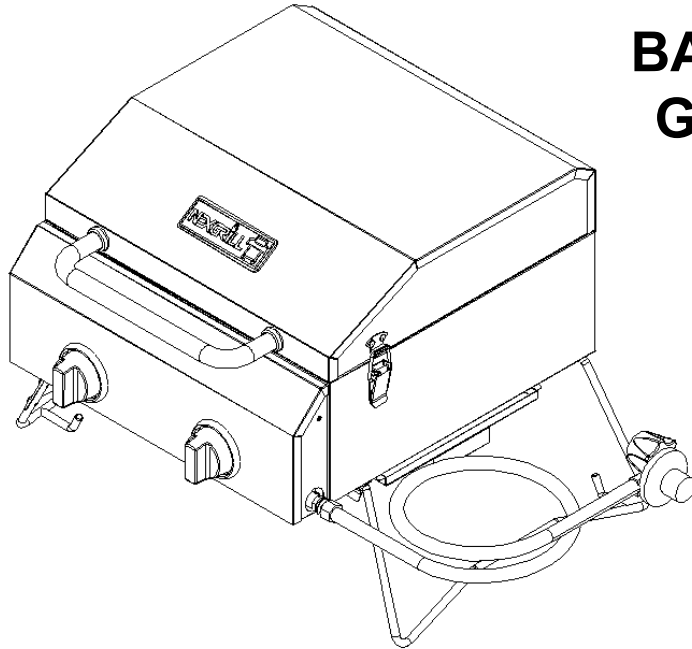
MODEL #820-0033 Pages 2 - 20

## PARRILLA A GAS DE MESA PARA EXTERIORES

MODELO #820-0033 Páginas 21-39

## BARBECUE DE TABLE AU GAZ POUR L'EXTÉRIEUR

MODÈLE #820-0033 Pages 40-58



19000577A3

**⚠ CALIFORNIA RESIDENTS ONLY - WARNING:** This product and the fuels used to operate this product (liquid propane), and the products of combustion of such fuels, can expose you to chemicals including benzene, which is known to the State of California to cause cancer and reproductive harm. *For more information go to: [www.P65Warnings.ca.gov](http://www.P65Warnings.ca.gov).*

In the State of Massachusetts, the following installation instructions apply:

- Installations and repairs must be performed by a qualified or licensed contractor, plumber, or gasfitter qualified or licensed by the State of Massachusetts.
- If using a ball valve, it shall be a T-handle type.
- A flexible gas connector, when used, must not exceed 3 feet.

SERIAL # \_\_\_\_\_ MFG. DATE \_\_\_\_\_ PURCHASE DATE: \_\_\_\_\_

NÚM. DE SERIE \_\_\_\_\_ FECHA DE MANUFACTURA \_\_\_\_\_ FECHA DE COMPRA \_\_\_\_\_

NUMÉRO DE SÉRIE \_\_\_\_\_ DATE DE FABRICATION \_\_\_\_\_ DATE D'ACHAT \_\_\_\_\_

- This instructions manual contains important information necessary for the proper assembly and safe use of the appliance.
- Read and follow all warnings and instructions before assembling and using the appliance.
- Keep this manual for future reference.



**Questions, problems, missing parts?** Before returning to your retailer, call our customer service department at U.S.A: 1-800-913-8999, 8 a.m.-5 p.m., PST, Monday-Friday.

- **El presente manual de instrucciones contiene información importante que lo ayudará a armar el dispositivo correctamente y a utilizarlo de manera segura.**
- **Antes de armar y utilizar el dispositivo, lea y siga todas las advertencias e instrucciones.**
- **Conserve el presente manual para consultas futuras.**



**Des questions, des problèmes, des pièces manquantes?** Avant de retourner l'article au détaillant, communiquez avec le service à la clientèle au U.S.A:1-800-913-8999, entre 8 h et 17 h HNP, du lundi au vendredi et entre 8 h et 12 h, le samedi. Assurez-vous d'avoir votre numéro de série en main. Ce numéro se situe à l'intérieur de la porte avant de votre barbecue.

- **Ce manuel d'instructions contient d'importantes informations essentielles à un assemblage approprié et sécuritaire de l'appareil.**
- **Lire et respecter tous les avertissements et toutes les instructions avant l'assemblage et l'utilisation de l'appareil.**
- **Conserver ce manuel à titre de référence ultérieure.**

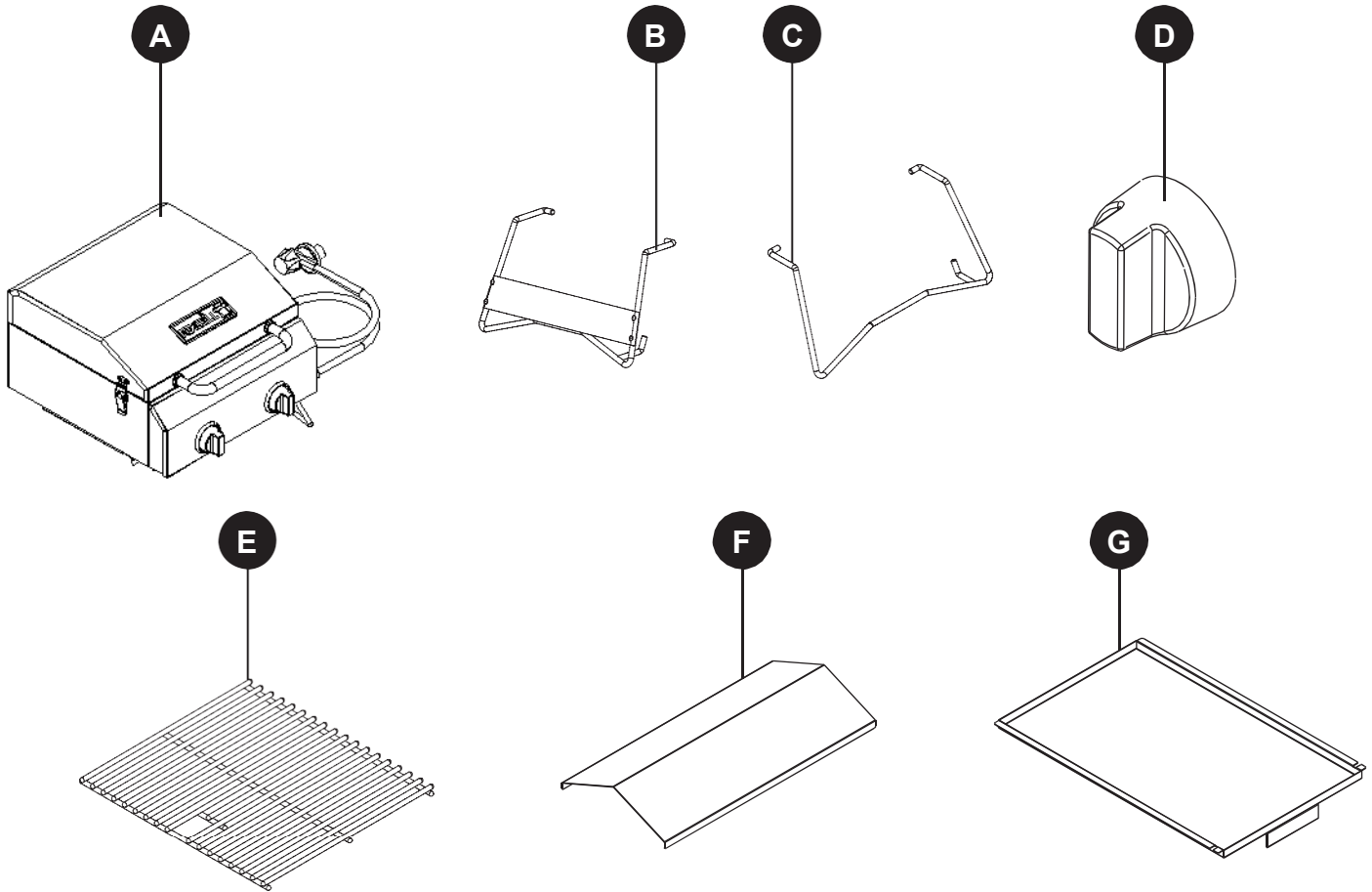


**¿Consultas, problemas, piezas que faltan?** Antes de regresar al vendedor, comuníquese con nuestro departamento de Servicio al Cliente llamando al U.S.A:1-800-913-8999, de 8 a.m. a 5 p.m. de lunes a viernes; y de 8 a.m. a 12 p. m. los sábados. Asegúrese de tener disponible el número de serie, que se encuentra en la parte interna de la puerta frontal de su parrilla.

## Table of Contents

Package Contents . . . . .	<b>3</b>	Operating Instructions . . . . .	<b>13</b>
Safety Information . . . . .	<b>3</b>	Care and Maintenance . . . . .	<b>15</b>
Preparation . . . . .	<b>7</b>	Troubleshooting . . . . .	<b>17</b>
Assembly Instructions . . . . .	<b>7</b>	Warranty . . . . .	<b>18</b>
Installation Instructions . . . . .	<b>10</b>	Replacement Parts List . . . . .	<b>20</b>

## PACKAGE CONTENTS



PART	DESCRIPTION	QUANTITY
A	Grill	1
B	Left leg	1
C	Right leg	1
D	Knob	2

PART	DESCRIPTION	QUANTITY
E	Cooking grid	1
F	Flame tamer	2
G	Grease tray	1

## SAFETY INFORMATION

Please read and understand this entire manual before attempting to assemble, operate or install the product.

### DANGER

If you smell gas:

1. Shut off gas to the appliance.
2. Extinguish any open flame.
3. Open lid.
4. If odor continues, keep away from the appliance and immediately call your gas supplier or local fire department.

## SAFETY INFORMATION

---

Failure to follow these instructions could result in fire or explosion, which could cause property damage, personal injury or death.

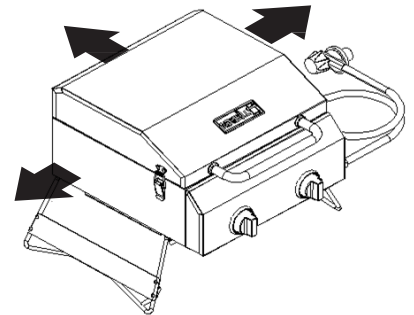
### DANGER

- **NEVER** operate this appliance unattended.
- **NEVER** operate this appliance within 10 ft. (3 m) of any structure, combustible material or other gas cylinder.
- **NEVER** operate this appliance within 25 ft. (7.5 m) of any flammable liquid.
- **DO NOT** fill cooking vessel beyond maximum fill line.
- This appliance is not intended for and should never be used as a heater.
- If a fire should occur, keep away from the appliance and immediately call your fire department.  
**DO NOT** attempt to extinguish an oil or grease fire with water.

LP- gas supply cylinder to be used must be constructed and marked in accordance with the specifications for LP-gas cylinders of the U.S. Department of Transportation (DOT) or the National Standard of Canada, CANB339, Cylinders, Spheres and Tubes for the Transportation of Dangerous Goods.

### DANGER

- The installation must conform with local codes or, in the absence of local codes, with the National Fuel Gas Codes, with the National Fuel Gas Code, ANSI Z223.1/NFPA 54, Storage and Handling of Liquefied Petroleum Gases, ANSI/NFPA 58, or the Standard for Recreational Vehicles, ANSI A119.2/ NFPA 1192, and the Recreational Vehicle Code, CSA Z240 RV, as applicable.
- This table top grill is for outdoor use only. The grill should be operated in a well-ventilated space. **NEVER** operate in an enclosed space, garage or building. Your grill is not intended to be installed in or on recreational vehicles and/or boats.
- Heated liquids remain at scalding temperatures long after the cooking process. **DO NOT** touch the cooking appliance until liquids have cooled to 115°F (45°C) or less.
- **DO NOT** install or use grill within 36 inches (92 cm) of combustible materials from back and sides of grill. Grill shall not be located under overhead surfaces (closed carport, garage, porch, patio) that can catch fire.
- **NEVER** attempt to attach this grill to the self-contained LP gas system of a camper trailer or motor home.
- It is the responsibility of the assembler/owner to assemble, install and maintain the gas grill. **DO NOT** let children and pets operate or play near your table top grill. Failure to follow these instructions could result in serious personal injury and/or property damage.
- Remove lid before lighting grill. When grill is not in use, turn off control knob on LP gas cylinder.
- Carefully follow instructions in this manual for proper assembly and leak testing of your grill.  
**DO NOT** use grill until leak checked. If a leak is detected at any time, it must be stopped and corrected before using grill further.
- Appliance area should be kept clear and free from combustible materials, gasoline, bottled gas in any form and other flammable vapors and liquids. **DO NOT** obstruct flow of combustion and ventilation air.
- **NEVER** try to light grill with lid closed! Buildup of gases is very dangerous and could cause an explosion.
- Keep any electrical cord or fuel supply hose away from any heated surfaces.



## SAFETY INFORMATION

---

- Propane is a flammable gas and improper handling may result in explosion and/or fire and serious accident or injury.
- This appliance will be hot during and after use. Use insulated oven mitts or gloves for protection from hot surfaces or splatter from cooking liquids.
- **DO NOT** leave your grill unattended while in operation.
- **DO NOT** use while under the influence of drugs or alcohol.
- **DO NOT** store any spare LP (propane) cylinder, full or empty, under or near your grill.
- This appliance is not intended for commercial use or rental.
- The cylinder must be disconnected when the appliance is not in use.

Sometimes spiders and other small insects climb into the burner tube. The spiders spin webs, build nests and lay eggs. The webs or nests can be very small, but they are very strong and can block the flow of gas. Clean burner prior to use after storing, at the beginning of grilling season or after a period of one month not being used.

### THE FUEL SYSTEM

The items in the fuel system are designed for operation with this grill. They must not be replaced with any other brand. (See parts list for replacement items.)

**GAS BURNER:** The gas burner is constructed of stainless steel and should not require maintenance other than inspection for insects/nests inside the air intake slots.

### CAUTION

The gas pressure regulator provided with this appliance must be used. This regulator is equipped with the required orifice and is set for the required outlet pressure for this appliance. This combination of orifice size and pressure regulation specifications provides the cooking performance intended by the manufacturer. Substitution of regulator for any other device is dangerous and could result in serious injury.

### FUEL SUPPLY HOSE

The hose connected regulator provided with this appliance is 3 ft. long. Keep the fuel hose away from any heated surface(s).

### WARNING

**PROPANE FUEL:** Propane is a flammable gas. Improper handling may result in an explosion and/or fire and serious accident or injury. This grill is designed to operate with propane (LP) gas only and is equipped with the proper orifice for propane gas.

### CAUTION

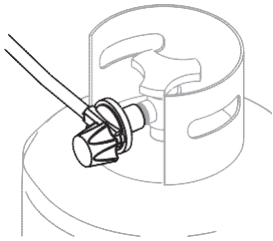
**DO NOT** connect this grill with any gas supply other than propane. Propane gas is heavier than air and settles in lower areas. Make certain adequate ventilation is available when using the grill. The gas cylinder may be stored outside in a well-ventilated area out of the reach of children when the grill is not in use.

## SAFETY INFORMATION

The LP gas cylinder shall be used only outdoors in a well-ventilated space and not in a building, garage, or any other enclosed area. The table top grill may be stored indoors if the LP gas cylinder is removed and stored outdoors. The LP gas cylinder (not included) is threaded for connection directly to the gas regulator supplied with this appliance. Care should be taken when threading the cylinder to the regulator to engage threads correctly to achieve the proper and intended connection. When disconnecting or connecting the gas cylinder, be careful that the regulator does not strike the grill, the ground, or any other surfaces. Replace the protective cap over the threaded cylinder connection when removed from grill. If any difficulty occurs when connecting or disconnecting the cylinder to the regulator assembly, contact your local gas supplier for assistance.

When re-connecting the LP gas cylinder to the regulator, be sure to hand-tighten until snug. This connection should be inspected for damage and leak tested after each re-connection.

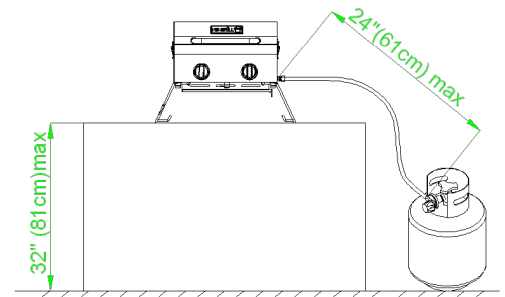
To do a leak test, make a soap solution of one part liquid detergent and one part water. You will need a spray bottle, brush, or rag to apply the solution to the fitting. Bubbles indicate leaks.



Check all gas supply fittings for leaks before each use. **DO NOT** use the grill until all connections have been checked and do not leak.

## WARNING

- **ALWAYS** operate the grill on a tabletop, no higher than 32 in.
- Place the propane tank on the ground immediately adjacent to the tabletop, no further than 24 in. from the grill.
- Failure to follow these instructions could cause the propane tank to overheat and vent propane which could ignite, causing serious personal injuries or property damage; and/or create a tripping hazard with the gas hose or propane tank which could lead to the grill being pulled off the tabletop, causing serious personal injuries or property damage.



**KEEP THESE INSTRUCTIONS FOR FUTURE REFERENCE.**

## PREPARATION

---

Before beginning assembly of product, make sure all parts are present. Compare parts with package contents list. If any part is missing or damaged, do not attempt to assemble the product.

- Remove all the packing materials from the grill.

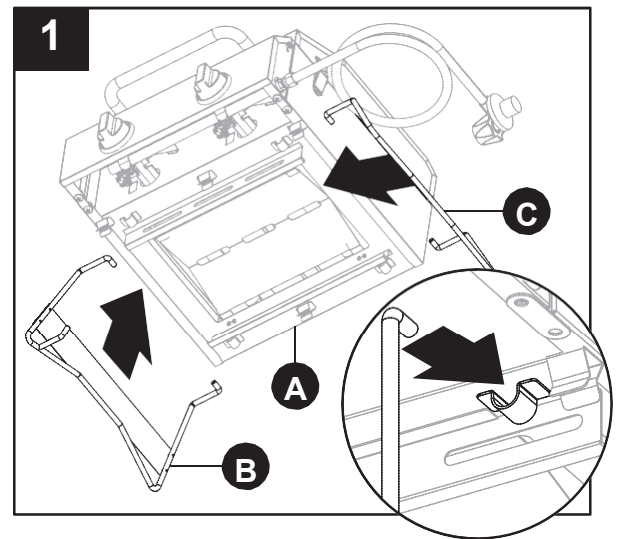
**Estimated Assembly Time:** 5 minutes

## ASSEMBLY INSTRUCTIONS

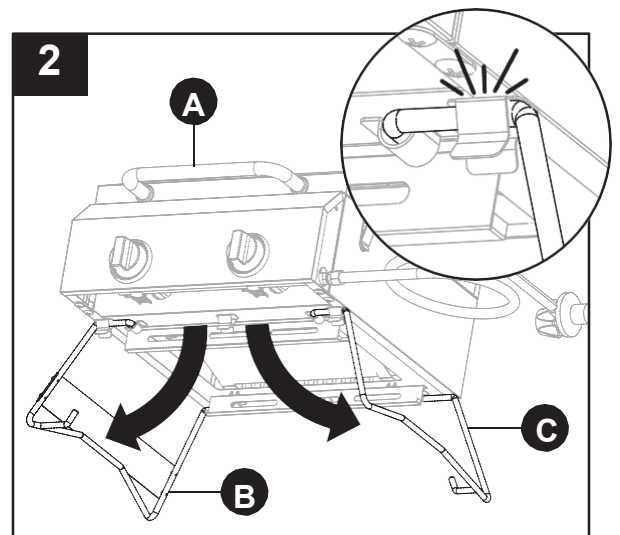
---

1. Insert the left leg (B) and the right leg (C) into the brackets on the bottom of the grill (A) as shown.

**Note:** With two hands, expand the foldable legs to allow them to slide into the brackets.



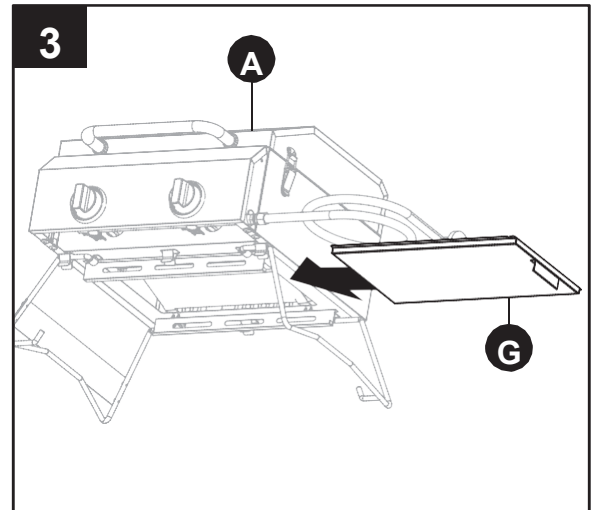
2. Unfold the left leg (B) and right leg (C) to lock them into place.



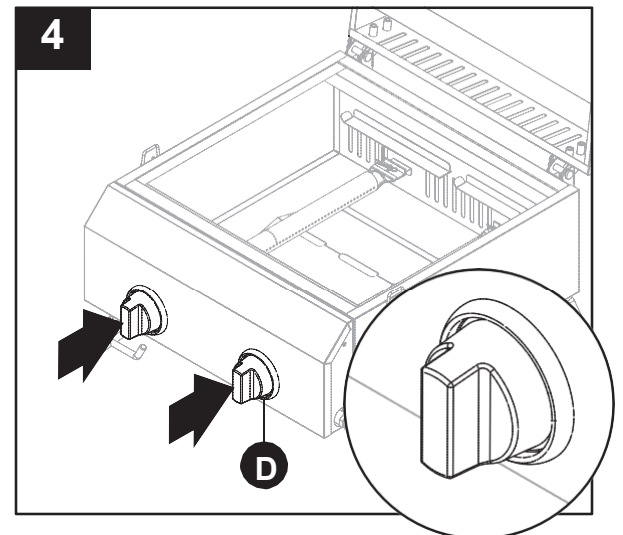


## ASSEMBLY INSTRUCTIONS

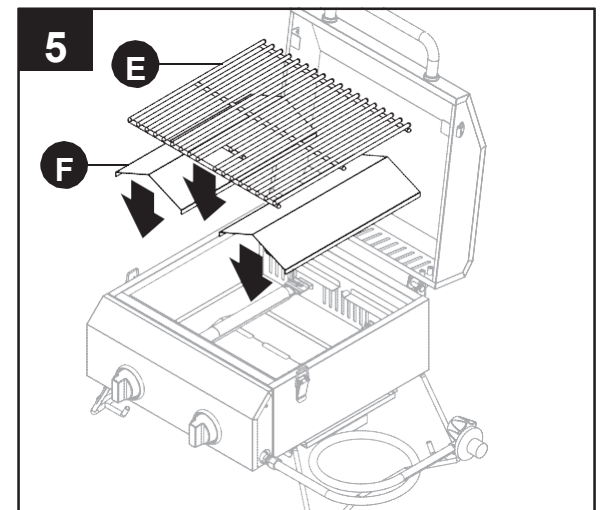
3. Insert the grease tray (G) into the bottom of the grill (A).



4. Attach the control knobs (D) to the front of grill. Push and turn the knob and check for sparks.



5. Place the flame tamers (F) and cooking grid (E) inside the firebox.

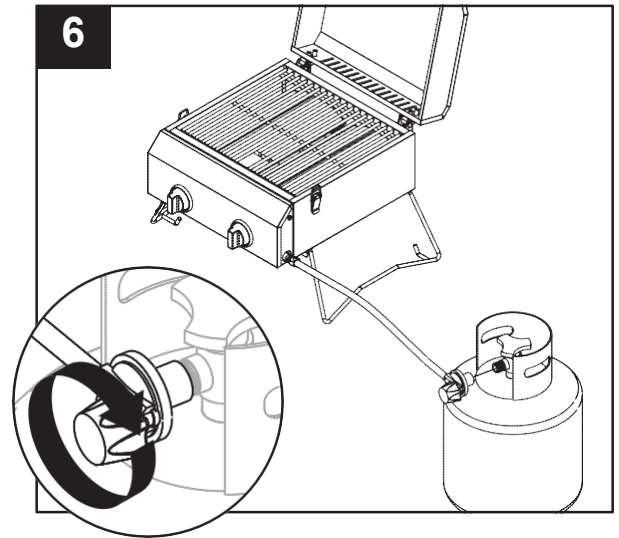




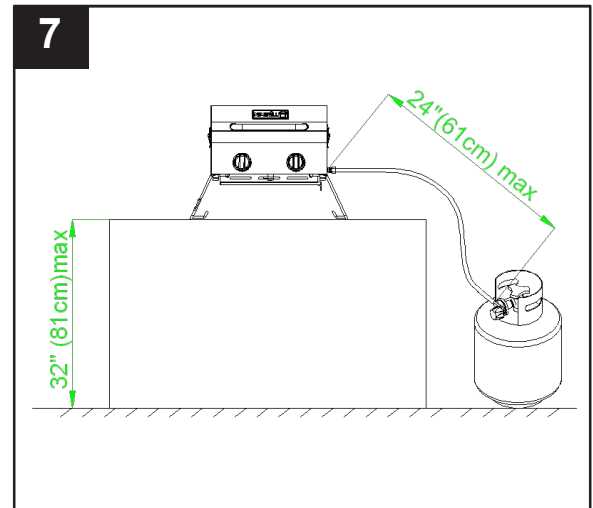
## ASSEMBLY INSTRUCTIONS

6. Attach the regulator found on the end of the hose to the propane cylinder (not included) by turning the regulator handle clockwise. If the grill is not in use, the gas must be turned "OFF" at the liquid propane cylinder.

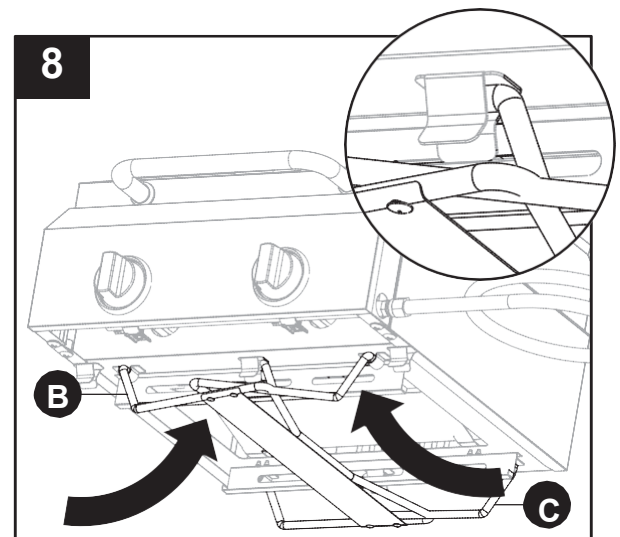
Check all gas supply fittings for leaks before each use. **DO NOT** use the grill until all connections have been checked and do not leak (see "Leak Testing" instructions on pages 11 and 12).



7. It is recommended to use this grill on a table 32 in. high with the liquid propane cylinder no more than 24 in. away.



8. When the grill is not in use, fold the left leg (B) and the right leg (C) and lock them into the brackets on the bottom of the grill for storage.



## INSTALLATION INSTRUCTIONS

---

### GAS HOOK-UP

Only the pressure regulator and hose assembly supplied with the grill should be used. Any replacement pressure regulator and hose assembly must be specified by the grill manufacturer. This grill is configured for liquid propane. **DO NOT** use a natural gas supply.

Total gas consumption (per hour) with all burners set on "HIGH"	
Main burners	16,000 BTU/Hr.
Total	16,000 BTU/Hr.

The installation of this appliance must conform with local codes or, in the absence of local codes, with either the National Fuel Gas Code, ANSI Z223.1/NFPA 54, National Gas Propane Installation Code, CSA B149.1, or Propane Storage and Handling Code, B149.2, or the Standard for Recreation Vehicles, ANSI A119.2/NFPA 1192, and CSA Z240 RV Series, Recreation Vehicle Code, as applicable.

### LIQUID PROPANE CYLINDER REQUIREMENTS (20-lb cylinder)

- A dented or rusty liquid propane cylinder may be hazardous and should be checked by your supplier.
- **NEVER** use a cylinder with a damaged valve.
- The liquid propane cylinder must be constructed and marked in accordance with the specifications for liquid propane cylinders by the United States Department of Transportation (DOT) or the National Standard of Canada, CAN/CSA-B339, Cylinders, Spheres and Tubes for Transportation of Dangerous Goods Commission.
- The 20-lb cylinder must have a shut off valve terminating in a valve outlet specified, as applicable, for connection type QCC1 in the standard for compressed gas cylinder valve outlet and inlet connection ANSI/CGA-V-1.
- Storage of an outdoor cooking gas appliance indoor is permissible only if the cylinder is disconnected and removed from the outdoor cooking gas appliance.
- The cylinder system must be arranged for vapor withdrawal.
- The cylinder must include a collar to protect the cylinder valve.
- Manifold pressure: (operating) 11 inches water column (W.C.), (non-operating) 11.2 inches water column. (W.C.).
- The liquid propane cylinder must be fitted with an Overfill Protection Device (OPD).
- Remove the plastic valve cover from the liquid propane cylinder.
- Make sure the grill gas hoses do not contact the grease pan or grill firebox when the liquid propane cylinder is placed into the cart.

## **INSTALLATION INSTRUCTIONS**

---

### **CONNECTING THE LIQUID PROPANE CYLINDER**

To connect the liquid propane gas supply cylinder:

1. The cylinder valve should be in the “OFF” position. If not, turn the valve clockwise until it stops.
2. Make sure the cylinder valve has the proper type-1 external male thread connections per ANSI Z21.81.
3. Make sure the burner valves are in the “OFF” position.
4. Inspect the valve connections, port and regulator assembly. Remove debris and inspect the hose for damage.
5. When connecting the regulator assembly to the valve, use your hand to tighten the nut clockwise until it stops.
6. Use of a wrench could damage the quick coupling nut and result in a hazardous situation.
7. Open the cylinder valve fully by turning the valve counterclockwise.
8. Before lighting the grill, use a soap and water solution to check all the connections for leaks.
9. If a leak is found, turn the cylinder valve “OFF” and **DO NOT** use the grill until a local liquid propane dealer can make repairs.



### **WARNING**

**NEVER** attempt to use damaged or obstructed equipment. See your local liquid propane dealer for repair.

### **DISCONNECTING THE LIQUID PROPANE CYLINDER**

1. Turn the grill burner valves “OFF” and make sure the grill is cool.
2. Turn the liquid propane cylinder valve “OFF” by turning clockwise until it stops.
3. Detach the regulator assembly from the cylinder valve by turning the quick coupling nut counterclockwise.
4. Place dust cap on cylinder valve outlet whenever the cylinder is not in use. Only install the type of dust cap on the cylinder valve outlet that is provided with the cylinder valve. Other types of caps or plugs may result in leakage of propane.

### **LEAK TESTING**

Although gas connections on the grill are leak tested prior to shipment, a complete leak test must be performed at the installation site. Before each use, check all gas connections for leaks using the procedures listed below. If the smell of gas is detected at any time, you should immediately check the entire system for leaks.

### **BEFORE TESTING**

Make sure all packing materials have been removed from the grill, including the burner tie-down straps.

## INSTALLATION INSTRUCTIONS

---

### WARNING

Check all gas supply fittings for leaks before each use. **DO NOT** use the grill until all connections have been checked and do not leak. **DO NOT** smoke while leak testing. **NEVER** leak test with an open flame. Make a solution of one part liquid detergent and one part water. You will need a spray bottle, brush, or rag to apply the solution to the fittings. For the initial leak test, make sure the liquid propane cylinder is full.

### TO TEST

1. Turn the burner valves off.
2. Turn the liquid propane cylinder valve counterclockwise to open the valve.
3. Apply the soap solution to all gas fittings. Soap bubbles will appear where a leak is present.
4. If a leak is present, immediately turn the gas supply “OFF” and tighten leaky fittings.
5. Turn the gas back “ON” and recheck.
6. Should the gas continue to leak from any of the fittings, turn the gas supply “OFF” and contact customer service at 1-800-913-8999.
7. If there is evidence of excessive abrasion or wear, or the hose is cut, it must be replaced prior to the outdoor cooking gas appliance being put into operation.

- Only those parts recommended by the manufacturer should be used on the grill. Substitutions will void the warranty.

### WARNING

**DO NOT** store grill indoors unless the cylinder is disconnected. **DO NOT** store cylinder in a building, garage, or any other enclosed area, and keep out of reach of children at all times.

### INSTALLER FINAL CHECK

Maintain specified clearance of 36 inches (92 cm) from combustible materials and construction.

- All internal packaging has been removed.
- The hose and regulator are properly connected to the liquid propane cylinder.
- The unit has been tested and is free of leaks.
- The gas supply shutoff valve has been located.
- All burners are installed.
- Keep the instruction manual for future reference.

### WARNING

- The grill and its individual shutoff valve must be disconnected from the gas supply piping system during any pressure testing of that system at test pressure in excess of 1/2-in. PSI (3.5 kpa).
- The outdoor cooking gas appliance must be isolated from the gas supply piping system by closing its individual manual shutoff valve during any pressure testing of the gas supply piping system at test pressure equal to or less than 1/2-in. PSI (3.5 kpa).
- **DO NOT** store spare liquid propane cylinders under or near this appliance to avoid the risk of fire which could cause death or serious injury.
- **NEVER** fill the cylinder beyond 80 percent capacity. Failure to do so could result in a fire causing death or serious injury.

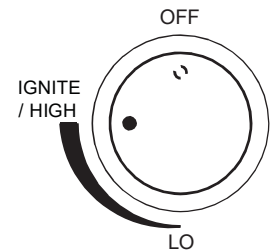
## OPERATING INSTRUCTIONS

### LIGHTING THE GRILL

1. Place the legs in up position.
2. Make sure the propane cylinder is tightly threaded into the regulator (hand tighten only).
3. Open lid. **ALWAYS** open lid when lighting.
4. Push and turn main burner knob slowly to IGNITE/HIGH; burner should light immediately.
5. If ignition does not occur in 3-5 seconds, turn the control knob "OFF". Wait 5 minutes before attempting to re-light the grill. If the grill fails to ignite after the second attempt, call customer service at 1-800-913-8999 for assistance.



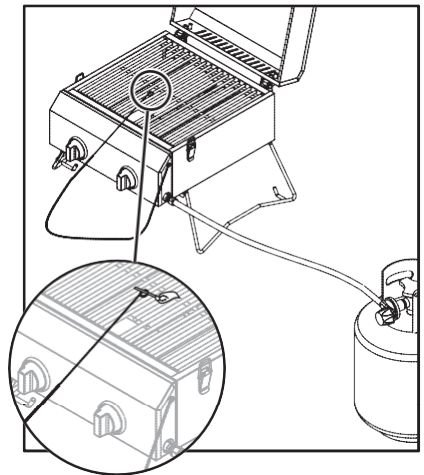
Main Burners



**Note:** If the knob can't spark insert the match into the lighting rod. Ignite the match and insert through the cooking grids to the burner.

### TURNING THE GRILL OFF

1. Turn knob to "OFF" position.
2. Turn the propane cylinder control knob to the "OFF" position.  
**CAUTION: DO NOT** attempt to re-light the grill without following all the lighting instructions.
3. Allow the grill body to cool at least 30 minutes before attempting to move or transport.



### FLAME CHARACTERISTICS

Check for proper burner flame characteristics. Burner flames should be blue and stable with no yellow tips, excessive noise, or lifting. The following steps should be followed for correcting the flame characteristics:

- Turn the control knobs and liquid propane cylinder valves "OFF."
- Allow the grill and burners to cool.
- If the flame is yellow (not enough air), turn the adjustment screw found at the front of the burner counterclockwise.
- If the flame is noisy or lifts away from the burner (too much air), turn the adjustment screw clockwise.
- If these adjustments do not correct the problem, contact customer service at 1-800-913-8999.



## **OPERATING INSTRUCTIONS**

---

### **USING THE GRILL**

1. Find a level surface for the grill.
2. Allow the grill to warm up with the lid closed for 5 minutes prior to cooking.
3. You may cook on the grill in any weather. If the temperature is extremely cold or hot, the cooking times will be slightly increased or decreased. Keep the grill out of excessive winds when operating.

## CARE AND MAINTENANCE

---

To ensure safe operation of your grill, the area of cooking should always be kept free of combustible materials of any type, such as gasoline or other flammable vapors or liquids.

**External Grill Parts** - These are stainless steel. These can be cleaned easily with warm soapy water or any stainless steel cleaner.

**Cooking Grid and Grease Tray** – The cooking grid is made of stainless steel. The cooking grid should be brushed with a steel brush immediately after cooking while the grill is still warm. The grease tray is also stainless steel and can be cleaned with a flat scraper such as a putty knife.

### CAUTION

The grease tray must be kept clean and free of heavy buildup for the grill to perform properly and to eliminate flare-ups.

**Grill Main Burners** - Extreme care should be taken when removing a burner. It must be correctly centered on the orifice before any attempt is made to relight the grill. Frequency of cleaning will depend on how often you use the grill.

- Failure to properly place the burner over the orifice could cause a fire to occur behind and beneath the valve panel, thereby damaging the grill and making it unsafe to operate.
- Before cleaning, make sure the gas supply and control knobs are in the “OFF” position and the burners have cooled.

### To remove the main burners for cleaning:

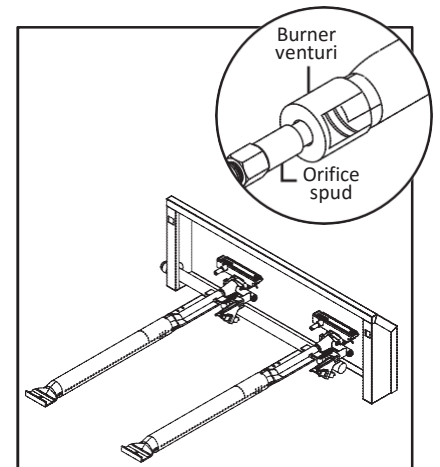
1. Locate the burner screw at the rear of the firebox.
2. Remove the screw and lift the burner out of the firebox.

### To clean the grill burners:

1. Clean the exterior of the burner with a wire brush. Use a metal scraper for stubborn stains or debris.
2. Clear clogged ports with a straightened paper clip. Never use a wooden toothpick as it may break off and clog the port.
3. Check and clean burners/venturi tubes for insects and insect nests. A clogged tube can lead to a fire beneath and behind the main control panel.

### To reinstall the main burners:

1. Insert the burner over the main burner gas valve.
2. Make sure the orifice spud is inside the burner venturi as shown.
3. Align the burner screw hole with the firebox hole, insert screw and tighten.





## CARE AND MAINTENANCE

---

**Firebox** - Use warm soapy water to clean this area. **DO NOT** allow grease to build up.

**Drain Hole** – The drain hole must be kept clear of grease and food particles to allow drippings to drain properly into the grease tray. This must be done to maintain proper operation of your grill.

**General** - This grill, like all equipment, will look better and last longer if kept out of the weather when not in use.



### CAUTION

**DO NOT** store propane cylinders in enclosed areas. When using a cover or moving the grill, always wait until the grill has cooled for at least 30 minutes.

- Not obstructing the flow of combustion and ventilation air.
- A clogged tube can lead to a fire beneath the appliance.
- This unit must be kept in an area free from combustible materials, gasoline and other flammable vapors and liquids.
- Make sure all openings into the grill body are free of blockages or debris and there are no objects or materials blocking the flow of combustion or ventilation. Make sure the legs are in the up position when using the grill.
- Check burner air inlet openings (behind the inlet guard on the right end of the grill body) for insect nests or blockages. Make sure the slots in the burner tube are clear.
- When the grill is not in use, turn the control knob to the “OFF” position and remove the propane cylinder from the regulator. Remove the regulator from the burner.
- For outdoor use only, if stored indoors, detach propane cylinder and store outdoors. Propane cylinders must be stored out of reach of children.

### IMPORTANT

**First-time use:** It is important that the grill be lit and allowed to heat up for at least 30 minutes before any food is placed on the cooking grid. It is normal for some smoke to appear during the initial operation of the grill. After initial heating, the grill is ready for use. A cooking spray can be used on the cooking grids to allow easier clean up.

**THIS COOKING APPLIANCE IS FOR OUTDOOR USE ONLY AND SHALL NOT BE USED IN A BUILDING, GARAGE OR ANY OTHER ENCLOSED AREA.**

### MOVING INSTRUCTIONS



### CAUTION

**NEVER** move the grill with burner lit.

Make sure control knob is in the “OFF” position. Disconnect the propane cylinder from the regulator. Remove the regulator from the grill. Be sure the grill has completely cooled for at least 30 minutes. Close the lid and secure the latch. Place the legs in the down position. Use the handle to carry the grill.

**Note:** It is best to leave the grease tray in place attached to the bottom of the grill-some grease may continue to drip from drain hole during transport.

## TROUBLESHOOTING

---

If you have any questions regarding the product, please call customer service at 1-800-913-8999, 8 a.m. - 5 p.m., PST, Monday - Friday.

### **WARNING**

Spiders and insects can nest inside the burners of the grill and disrupt gas flow. This very dangerous condition could cause a fire behind the valve panel, thereby damaging the grill and making it unsafe for operation. Inspect the grill at least twice a year or immediately after any of the following conditions occur:

1. The smell of gas in conjunction with burner flames appearing yellow.
2. The grill does not reach temperature.
3. The grill heats unevenly.
4. The burners make popping noises.

**If the grill does not function properly, use the following checklist before contacting your dealer for service.**

<b>PROBLEM</b>	<b>CORRECTIVE ACTION</b>
The grill will not light.	<ol style="list-style-type: none"><li>1. Check to see if the liquid propane cylinder is empty.</li><li>2. Check burner ports for any blockage. Use a soft wire brush to clear plugged ports.</li><li>3. Check the gas orifice on the burner for an obstruction. If orifice is blocked, clean with a needle or thin wire. <b>NEVER USE A WOODEN TOOTHPICK.</b></li></ol>
Burner flame is yellow or orange in conjunction with gas odor.	<ol style="list-style-type: none"><li>1. Check for spiders and insects.</li><li>2. Call customer service at 1-800-913-8999.</li></ol>
Low heat with the control knob on the "HIGH" setting.	<ol style="list-style-type: none"><li>1. Make sure the grill area is clear of dust.</li><li>2. Make sure the burner and orifice are clean.</li><li>3. Check for spiders and insects.</li><li>4. Is there adequate gas supply available?</li><li>5. Is the grill being preheated for 15 minutes?</li></ol>

## WARRANTY

---

Manufacturer warrants to the original consumer-purchaser only that this product (Model #820-0033) shall be free from defects in workmanship and materials after correct assembly and under normal and reasonable home use for the periods indicated below beginning on the date of purchase. The manufacturer reserves the right to require photographic evidence of damage, or that defective parts be returned, postage and or freight pre-paid by the consumer, for review and examination.

- **MAIN BURNERS:** 3 year LIMITED warranty against perforation.
- **CART:** 1 Year LIMITED warranty against perforation; does not cover cosmetic issues like surface corrosion, scratches and rust.
- **PARTS:** 1 Year LIMITED warranty (Includes, but not limited to, valves, frame, housing, control panel, igniter, regulator, hoses) \*Does not cover chipping, scratching, cracking surface corrosion, scratches or rust.

Upon consumer supplying proof of purchase as provided herein, Manufacturer will repair or replace the parts which are proven defective during the applicable warranty period. Parts required to complete such repair or replacement shall be free of charge to you except for shipping costs, as long as the purchaser is within the warranty period from the original date of purchase. The original consumer-purchaser will be responsible for all shipping charges of parts replaced under the terms of this limited warranty. This limited warranty is applicable in the United States only, is only available to the original owner of the product and is not transferable. Manufacturer requires reasonable proof of your date of purchase. Therefore, you should retain your sales receipt and/or invoice. If the unit was received as a gift, please ask the giftgiver to send in the receipt on your behalf, to the below address. Defective or missing parts subject to this limited warranty will not be replaced without registration or proof of purchase. This limited warranty applies to the functionality of the product ONLY and does not cover cosmetic issues such as scratches, dents, corruptions or discoloring by heat, abrasive and chemical cleaners or any tools used in the assembly or installation of the appliance, surface rust, or the discoloration of stainless steel surfaces. Surface rust, corrosion, or powder paint chipping on metal parts that does not affect the structural integrity of the product is not considered a defect in workmanship or material and is not covered by this warranty. This limited warranty will not reimburse you for the cost of any inconvenience, food, personal injury or property damage. If an original replacement part is not available, a comparable replacement part will be sent. You will be responsible for all shipping charges of parts replaced under the terms of this limited warranty.

### ITEMS MANUFACTURER WILL NOT PAY FOR:

- Service calls to your home.
- Repairs when your product is used for other than normal, single-family household or residential use.
- Damage resulting from accident, alteration, misuse, lack of maintenance/cleaning, abuse, fire, flood, acts of God, improper installation, and installation not in accordance with electrical or plumbing codes or use of products not approved by the manufacturer.
- Any food loss due to product failures.
- Replacement parts or repair labor costs for units operated outside the United States or Canada.

## **WARRANTY**

---

- Pickup and delivery of your product.
- Postage fees or photo processing fees for photos sent in as documentation.
- Repairs to parts or systems resulting from unauthorized modifications made to the product.
- The removal and/or reinstallation of your product.
- Shipping cost, standard or expedited, for warranty/non warranty and replacement parts.

### **DISCLAIMER OF IMPLIED WARRANTIES; LIMITATION OF REMEDIES**

Repair or replacement of defective parts is your exclusive remedy under the terms of this limited warranty. Manufacturer will not be responsible for any consequential or incidental damages arising from the breach of either this limited warranty or any applicable implied warranty, or for failure or damage resulting from acts of God, improper care and maintenance, grease fire, accident, alteration, replacement of parts by anyone other than Manufacturer, misuse, transportation, commercial use, abuse, hostile environments (inclement weather, acts of nature, animal tampering), improper installation or installation not in accordance with local codes or printed manufacturer instructions.

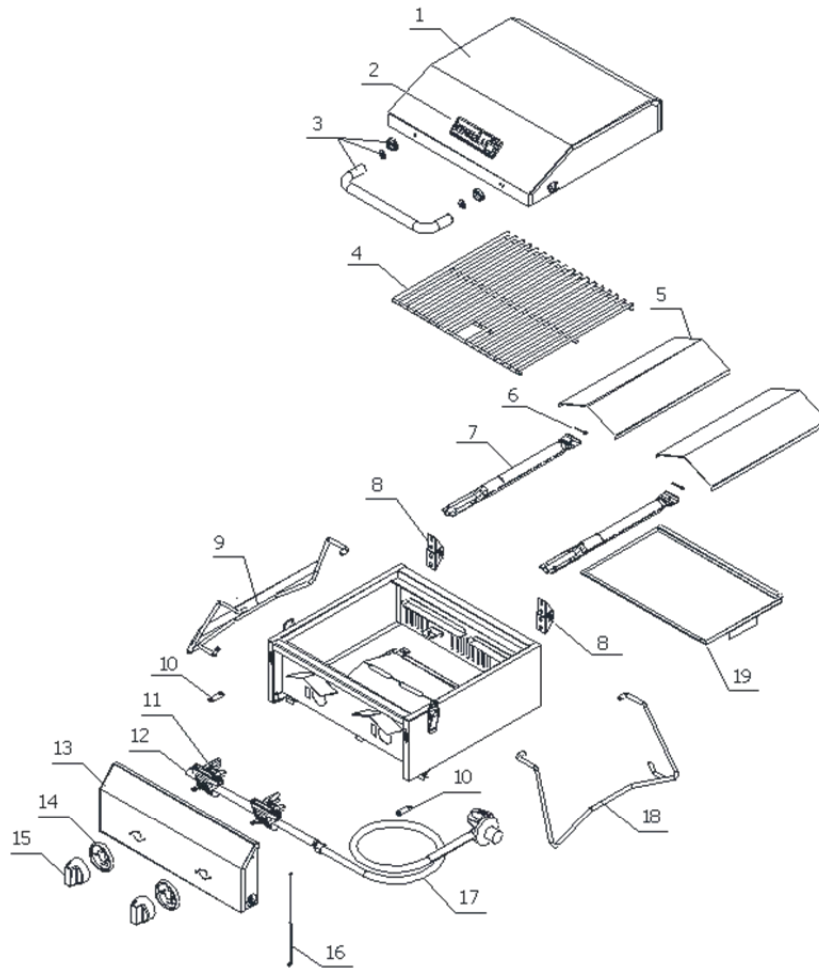
**THIS LIMITED WARRANTY IS THE SOLE EXPRESS WARRANTY GIVEN BY THE MANUFACTURER. NO PRODUCT PERFORMANCE SPECIFICATION OR DESCRIPTION WHEREVER APPEARING IS WARRANTED BY MANUFACTURER EXCEPT TO THE EXTENT SET FORTH IN THIS LIMITED WARRANTY. ANY IMPLIED WARRANTY PROTECTION ARISING UNDER THE LAWS OF ANY STATE, INCLUDING IMPLIED WARRANTY OF MERCHANTABILITY OR FITNESS FOR A PARTICULAR PURPOSE OR USE, IS HEREBY LIMITED IN DURATION TO THE DURATION OF THIS LIMITED WARRANTY.**

Neither dealers nor the retail establishment selling this product has any authority to make any additional warranties or to promise remedies in addition to or inconsistent with those stated above. Manufacturer's maximum liability, in any event, shall not exceed the documented purchase price of the product paid by the original consumer. This warranty only applies to units purchased from an authorized retailer and or re-seller. NOTE: Some states do not allow an exclusion or limitation of incidental or consequential damages, so some of the above limitations or exclusions may not apply to you; this limited warranty gives you specific legal rights as set for herein. You may also have other rights which vary from state to state.

All consumer returns, parts orders, general questions, and troubleshooting assistance can be acquired by calling 1-800-913-8999, 8 a.m. - 5 p.m., PST, Monday – Friday.

## REPLACEMENT PARTS LIST

For replacement parts, call our customer service department at 1-800-913-8999, 8 a.m. - 5 p.m., PST, Monday – Friday.



PART	DESCRIPTION	PART #
1	Main Lid	820-0033-01
2	Logo	820-0033-02
3	Main Lid Handle Assembly	820-0033-03
4	Cooking Grid with Hole	820-0033-04
5	Flame Tamer	820-0033-05
6	Burner Pin Assembly	820-0033-06
7	Main Burner	820-0033-07
8	Main Lid Hinge	820-0033-08
9	Left Leg	820-0033-10
10	Control Panel Connector	820-0033-11

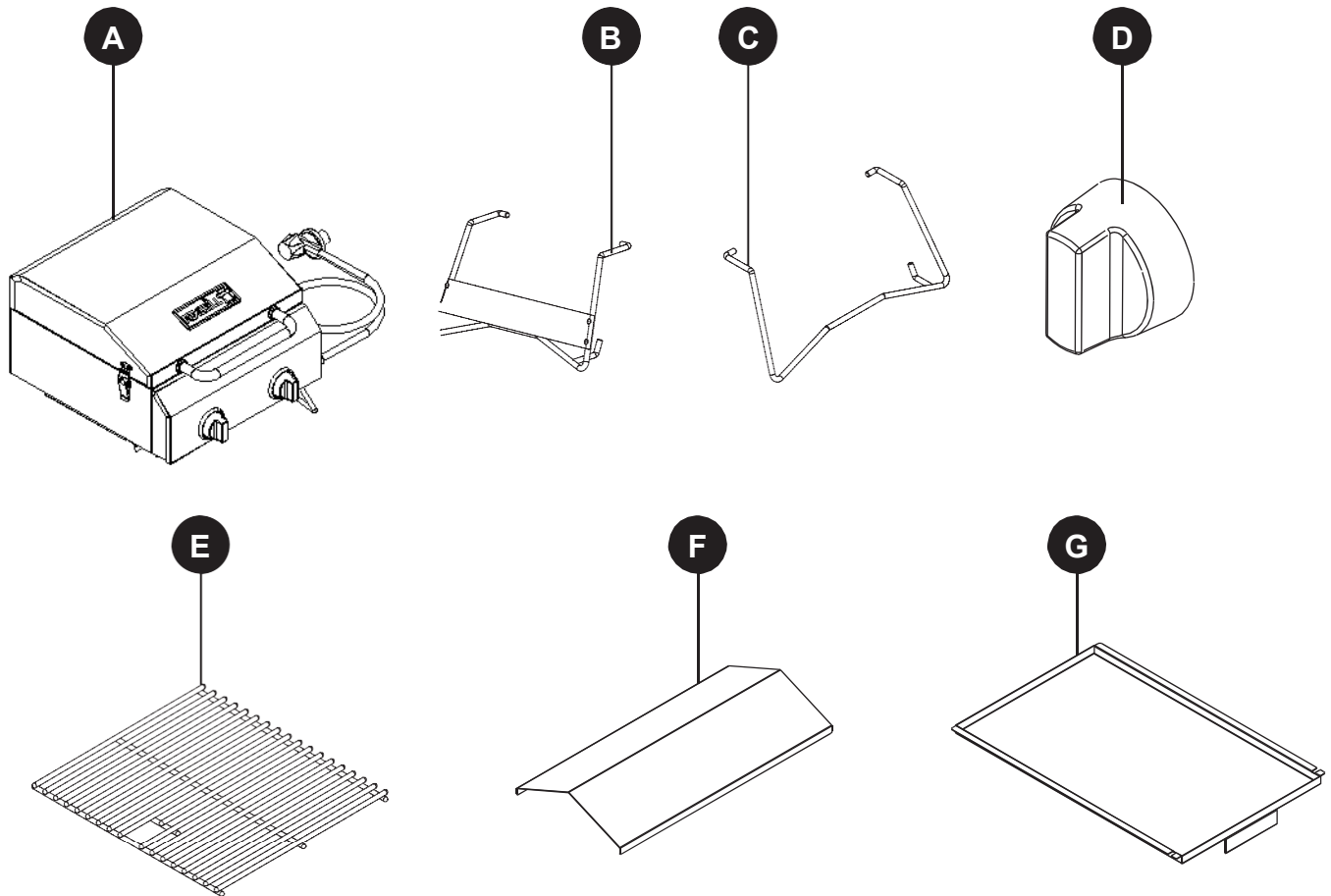
PART	DESCRIPTION	PART #
11	Gas Valve	820-0033-12
12	Main Manifold	820-0033-13
13	Main Control Panel	820-0033-14
14	Control Knob Bezel	820-0033-15
15	Control Knob	820-0033-16
16	Lighting Rod	820-0033-17
17	Regulator, LP	820-0033-18
18	Right Leg	820-0033-19
19	Grease Tray	820-0033-20

Contenu de l'emballage . . . . .	<b>22</b>	Mode d'emploi . . . . .	<b>32</b>
Consignes de sécurité . . . . .	<b>22</b>	Soins et d'entretien . . . . .	<b>34</b>
Préparation . . . . .	<b>26</b>	Dépannage . . . . .	<b>36</b>
Instructions pour l'assemblage . . . . .	<b>26</b>	Garantie . . . . .	<b>37</b>
Instructions pour l'installation . . . . .	<b>29</b>	Liste des pièces de rechange . . . . .	<b>39</b>

**⚠ RESIDENTES DE CALIFORNIA SOLAMENTE - ADVERTENCIA:** Este producto y los combustibles usados para operar este producto (propano líquido), y los productos de la combustión de tales combustibles, pueden exponerle a los productos químicos incluyendo el benceno, que es conocido por el Estado de California para causar cáncer y daño reproductivo. *Para más información, visite [www.P65Warnings.ca.gov](http://www.P65Warnings.ca.gov)*

- En el estado de Massachusetts se aplican las siguientes instrucciones de instalación:**
- Las instalaciones y reparaciones se deben efectuar por un contratista, plomero o gasista calificado o licenciado por el estado de Massachusetts.
  - Si se usa una válvula de bola, debe ser un tipo de manigueta T.
  - Si se usa un conector de gas flexible no debe exceder de 3 pies.

## CONTENU DE L'EMBALLAGE



PIÈCE	DESCRIPTION	QUANTITÉ
A	Barbecue	1
B	Pied gauche	1
C	Pied droit	1
D	Bouton	2

PIÈCE	DESCRIPTION	QUANTITÉ
E	Grille de cuisson	1
F	Protecteur de flamme	2
G	Plateau à graisse	1

## CONSIGNES DE SÉCURITÉ

Assurez-vous de lire et de comprendre l'intégralité du présent manuel avant de tenter d'assembler, d'utiliser ou d'installer le produit.

### DANGER

Si vous détectez une odeur de gaz :

1. Coupez l'alimentation en gaz de l'appareil.
2. Éteignez toute flamme nue.
3. Ouvrez le couvercle.
4. Si l'odeur persiste, tenez-vous loin de l'appareil et appelez immédiatement votre fournisseur de gaz ou le service d'incendie de votre quartier.



## **CONSIGNES DE SÉCURITÉ**

**Le non-respect de ces instructions peut entraîner un incendie ou une explosion et causer des dommages matériels, des blessures ou la mort.**

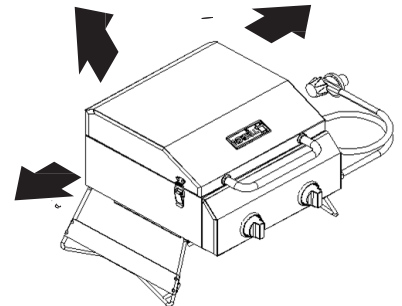
### **DANGER**

- **NE LAISSEZ** jamais cet appareil fonctionner sans surveillance.
- **N'UTILISEZ** jamais cet appareil à moins de 3,05 m (10 pi) de toute structure, matière combustible ou autre bouteille de gaz.
- **N'UTILISEZ** jamais cet appareil à moins de 7,62 m (25 pi) de tout liquide inflammable.
- **NE REMPLISSEZ** pas le récipient de cuisson au-delà de la ligne de remplissage maximal.
- Cet appareil ne doit pas être utilisé comme appareil de chauffage et n'est pas conçu pour le devenir.
- Si un feu se déclenche, restez à l'écart de l'appareil et appelez immédiatement le service d'incendie de votre quartier. **NE TENTEZ** pas d'éteindre un feu d'huile ou de graisse avec de l'eau.

La bouteille de gaz de pétrole liquéfié (GPL) utilisée doit être fabriquée et identifiée conformément aux normes du U.S. Department of Transportation (DOT) pour de telles bouteilles ou à la norme nationale du Canada, CAN/CSA-B339 « Bouteilles et tubes utilisés pour le transport des marchandises dangereuses ».

### **DANGER**

- L'installation doit être conforme aux codes locaux ou, en l'absence de codes locaux, aux codes nationaux de gaz naturel, à la norme relative à l'entreposage et la manipulation des gaz de pétrole liquéfié (Storage and Handling of Liquefied Petroleum Gases) ANSI Z223.1/NFPA 54 du National Fuel Gas Code ou à la norme ANSI/NFPA 58, ou encore à la norme relative aux véhicules récréatifs ANSI A 119.2/NFPA 1192 (Standard for Recreational Vehicles) ainsi qu'au code CSA Z240 VC relatif aux véhicules récréatifs, selon le cas.
- Ce barbecue de table est conçu pour une utilisation extérieure seulement, dans un endroit bien aéré. **NE L'UTILISEZ** jamais dans un bâtiment, un garage, ni tout autre espace clos. Il n'est pas conçu pour être installé sur un véhicule récréatif ou un bateau.
- Les liquides chauffés restent bouillants bien après la fin de la cuisson. **NE** touchez **JAMAIS** un appareil de cuisson avant que les liquides se soient refroidis et qu'ils soient à une température de 46,11 °C (115 °F) ou moins.
- **MAINTENEZ** un dégagement minimal de 92 cm entre les côtés et l'arrière du barbecue et toute construction combustible. N'utilisez pas le barbecue dans des endroits couverts combustibles (abri d'auto fermé, garage, porche ou terrasse recouverte).
- **NE TENTEZ** jamais de raccorder ce barbecue au système autonome d'alimentation en gaz de pétrole liquéfié d'une caravane ou d'une autocaravane.
- Il incombe au propriétaire (ou à l'installateur) d'assembler, d'installer et d'entretenir le barbecue. **NE** laissez **PAS** les enfants utiliser le barbecue de table. Ne laissez pas les enfants ni les animaux jouer près de celui-ci. Le non-respect de ces instructions peut causer des blessures graves ou des dommages matériels.
- Ouvrez le couvercle avant d'allumer le barbecue. Si vous n'utilisez pas le barbecue, fermez le robinet de la bouteille de GPL.
- Lisez attentivement les instructions de ce guide pour assembler l'appareil correctement et vérifier les fuites. **N'UTILISEZ** pas ce barbecue avant d'en avoir vérifié l'étanchéité. Si vous détectez une fuite, arrêtez-la et corrigez la situation avant d'utiliser de nouveau le barbecue.
- La zone autour du barbecue doit être exempte de tout matériau combustible, d'essence, de n'importe quel gaz embouteillé et d'autres vapeurs et liquides inflammables. **N'ENTRAVEZ** pas le flux d'air de combustion et de ventilation.



## **CONSIGNES DE SÉCURITÉ**

---

- **NE TENTEZ** jamais d'allumer le barbecue lorsque le couvercle est fermé. L'accumulation de gaz est très dangereuse et peut causer une explosion.
- Gardez tout cordon électrique ou tuyau d'alimentation en gaz à distance des surfaces chauffées.
- Le propane est un gaz inflammable; une mauvaise manipulation peut causer une explosion, un incendie et un accident ou des blessures graves.
- Cet appareil dégage de la chaleur pendant et après son utilisation. Utilisez des gants de cuisine ou des gants isolants pour vous protéger des surfaces chaudes et des éclaboussures de liquides de cuisson.
- **NE** laissez **PAS** le barbecue sans surveillance lorsqu'il fonctionne.
- **N'UTILISEZ PAS** le barbecue sous l'effet de la drogue ou de l'alcool.
- **NE** placez **PAS** de bouteille de propane de recharge, pleine ou vide, sous le barbecue ou à proximité de celui-ci.
- Cet appareil n'est pas conçu pour un usage commercial ni locatif.
- Débranchez la bouteille lorsque l'appareil n'est pas utilisé.

Parfois, des araignées et d'autres petits insectes grimpent dans le tube du brûleur. Les araignées y tissent des toiles, font des nids et déposent des œufs. Les toiles et les nids sont souvent très petits, mais très résistants et peuvent obstruer le flux de gaz. Après l'entreposage, nettoyez le brûleur avant de l'utiliser, que ce soit au début de la saison des grillades ou après un mois d'inutilisation.

### **SYSTÈME D'ALIMENTATION**

Les pièces du système d'alimentation sont conçues pour ce barbecue. Elles ne doivent pas être remplacées par des pièces d'une autre marque. Consultez la liste des pièces de rechange ci-dessous.

**BRÛLEUR À GAZ** : le brûleur à gaz est fait d'acier inoxydable et ne devrait pas nécessiter d'entretien. Vérifiez toutefois si des insectes ou des nids se trouvent dans les orifices d'aération.

### **ATTENTION**

N'utilisez que le régulateur de pression du gaz propane fourni avec cet appareil. Ce régulateur est muni d'un orifice conçu et réglé pour une pression de sortie propre à votre appareil. La taille de l'orifice et les indications de régulation de la pression sont prévues par le fabricant pour offrir une excellente cuisson. Le remplacement du régulateur par tout autre dispositif est dangereux et peut entraîner des blessures graves.

### **TUYAU D'ALIMENTATION EN GAZ**

Le tuyau raccordé au régulateur fourni avec l'appareil mesure 0,91 m. Gardez le tuyau d'alimentation en gaz à distance des surfaces chauffées.

### **AVERTISSEMENT**

**PROPANE** : le propane est un gaz inflammable. Une mauvaise manipulation peut causer une explosion, un incendie et un accident ou des blessures graves. Ce barbecue est conçu pour être utilisé avec du propane (PL) seulement et son orifice est prévu à cette fin.

### **ATTENTION**

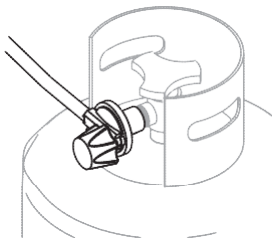
**NE** raccordez **PAS** ce barbecue à une bouteille contenant un autre gaz que du propane. Le propane est plus lourd que l'air et se concentre près du sol. Assurez-vous qu'il y a une bonne ventilation pendant son utilisation. La bouteille de propane peut être rangée à l'extérieur, dans un espace bien aéré. Gardez-la hors de la portée des enfants lorsque vous n'utilisez pas le barbecue.

## CONSIGNES DE SÉCURITÉ

La bouteille de propane doit être utilisée à l'extérieur seulement, dans un espace bien aéré et non dans un bâtiment, un garage ou tout autre espace clos. Le barbecue de table peut être rangé à l'intérieur si la bouteille n'y est plus raccordée et est entreposée à l'extérieur. La bouteille de propane (non incluse) est conçue pour être raccordée directement au régulateur de gaz fourni avec l'appareil. Prenez soin de bien fixer le raccord fileté de la bouteille au régulateur afin d'obtenir le branchement adéquat et prévu. Lorsque vous débranchez ou raccordez la bouteille de propane, assurez-vous que le régulateur ne frappe pas le barbecue, le sol ou toute autre surface. Remplacez le capuchon protecteur sur le raccord fileté de la bouteille après avoir retiré ce dernier du barbecue. Si vous avez de la difficulté à raccorder la bouteille à l'ensemble du régulateur ou à la débrancher, demandez de l'aide à votre fournisseur de gaz local.

Si vous raccordez de nouveau la bouteille de propane au régulateur, assurez-vous de bien serrer le tout à la main. Vous devriez examiner le raccord après chaque nouveau branchement pour vérifier s'il y a des dommages ou une fuite.

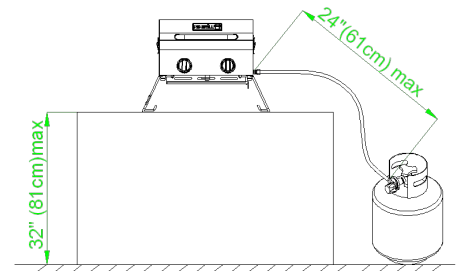
Pour ce faire, préparez une solution savonneuse composée d'une part de détergent liquide et une part d'eau. Appliquez la solution savonneuse sur le raccord en vous servant d'un flacon pulvérisateur, d'une brosse ou d'un linge. La formation de bulles indique des fuites.



Vérifiez la présence de fuites sur tous les raccords d'alimentation en gaz avant chaque utilisation. **N'utilisez PAS** le barbecue avant d'avoir vérifié tous les raccords et vous être assuré qu'il n'y a pas de fuite.

## AVERTISSEMENT

- **UTILISEZ** toujours le barbecue sur une table d'une hauteur maximale de 81,28 cm.
- Placez la bouteille de propane sur le sol, directement à côté de la table, à une distance maximale de 60,96 cm du barbecue.
- Le non-respect de ces instructions peut entraîner la surchauffe de la bouteille, la libération et l'inflammation du propane, le trébuchement sur le tuyau d'alimentation en gaz ou encore la chute de la bouteille, ce qui risque de causer des blessures graves et des dommages matériels.



**VEUILLEZ CONSERVER CES INSTRUCTIONS POUR VOUS Y RÉFÉRER ULTÉRIEUREMENT.**

## PRÉPARATION

Avant de commencer l'assemblage de l'appareil, assurez-vous d'avoir toutes les pièces. Comparez le contenu de l'emballage avec la liste des pièces. S'il y a des pièces manquantes ou endommagées, ne tentez pas d'assembler le produit.

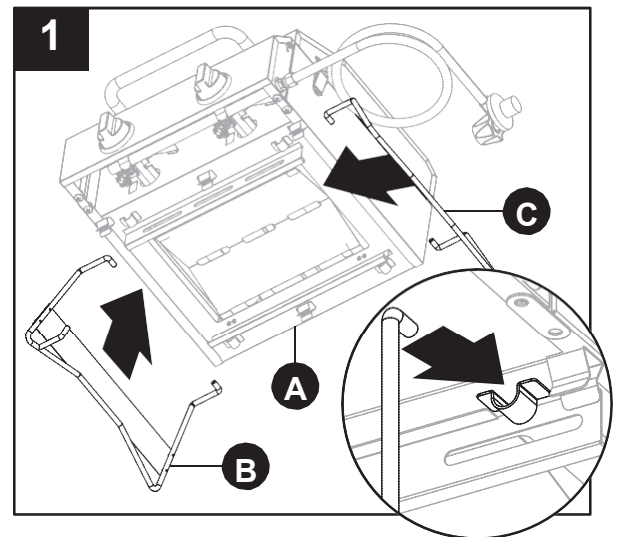
- Retirez du barbecue tous les matériaux d'emballage.

**Temps d'assemblage approximatif : 5 minutes.**

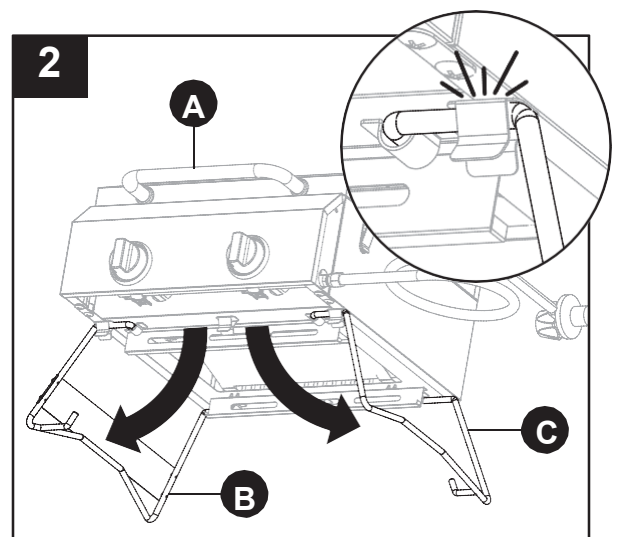
## INSTRUCTIONS POUR L'ASSEMBLAGE

1. Insérez les pieds gauche (B) et droit (C) dans les supports sous le barbecue (A), comme le montre l'illustration.

**Remarque :** Avec vos deux mains, étirez les pieds pliants afin qu'ils puissent glisser dans les supports.

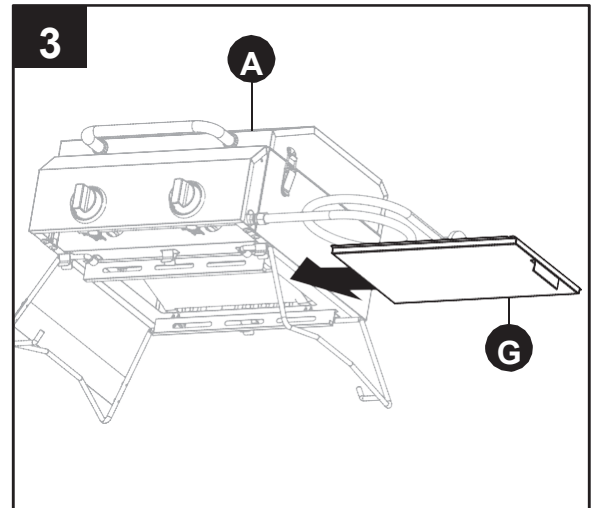


2. Dépliez les pieds gauche (B) et droit (C) pour les fixer en place.

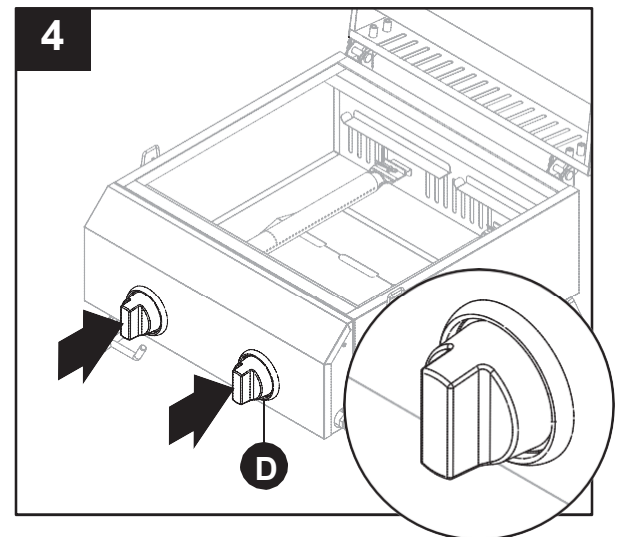


## INSTRUCTIONS POUR L'ASSEMBLAGE

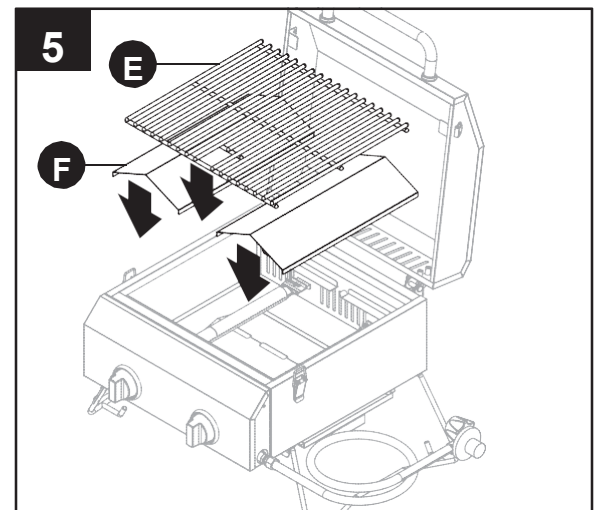
3. Insérez le plateau à graisse (G) au bas du barbecue (A).



4. Fixez les boutons de commande (D) à l'avant du barbecue. Appuyez sur le bouton en le tournant et vérifiez s'il y a des étincelles dans le foyer.



5. Placez les protecteurs de flamme (F) et la grille de cuisson (E)

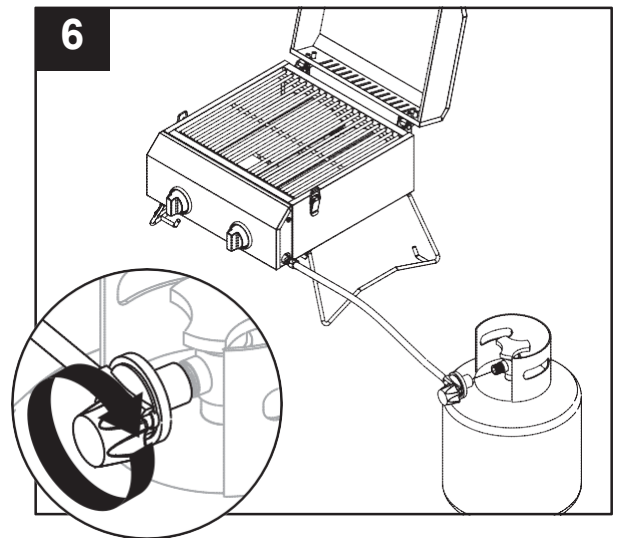


## INSTRUCTIONS POUR L'ASSEMBLAGE

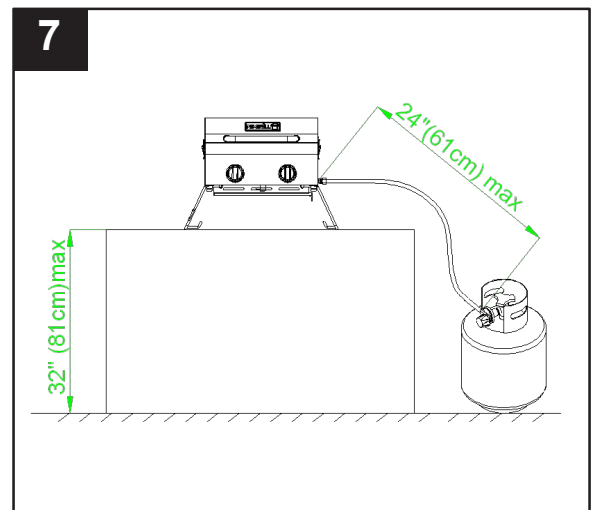
6. Vissez le régulateur à l'extrémité du tuyau de la bouteille de propane (non incluse) en tournant la poignée du régulateur dans le sens des aiguilles d'une montre. Si le barbecue n'est pas en marche, l'alimentation en gaz doit être COUPÉE.

Vérifiez la présence de fuites sur tous les raccords d'alimentation en gaz avant chaque utilisation.

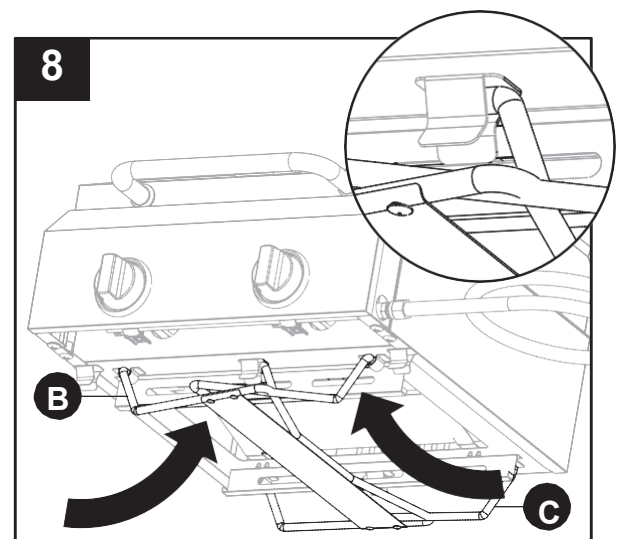
**Utilisez** uniquement le barbecue une fois que tous les raccords ont été vérifiés et qu'aucune fuite n'a été détectée (consultez les instructions « Vérification des fuites » à la page 31).



7. Il est recommandé d'utiliser ce barbecue sur une table d'une hauteur de 81,28 cm et de placer la bouteille de propane à une distance maximale de 60,96 cm.



8. Si vous n'utilisez pas le barbecue, pliez les pieds gauche (B) et droit (C), puis fixez-les dans les supports sous le barbecue et rangez l'appareil.





## INSTRUCTIONS POUR L'INSTALLATION

### RACCORDEMENT AU GAZ

Utilisez seulement l'ensemble régulateur de pression et tuyau fourni avec le barbecue. Tout remplacement de l'ensemble régulateur de pression et tuyau doit être indiqué par le fabricant du barbecue. Ce barbecue est conçu pour le propane. **N'utilisez PAS** une alimentation au gaz naturel.

Consommation totale de gaz (par heure) avec tous les brûleurs réglés à la position « HI » (élevée).	
Brûleurs principaux	16 000 BTU/h
Total	16 000 BTU/h

L'installation de cet appareil doit être conforme aux codes locaux ou, en l'absence de codes locaux, à la norme ANSI Z223.1/NFPA 54 du National Fuel Gas Code, ou au Code d'installation du gaz naturel et du propane CSA B149.1, au Code sur le stockage et la manipulation du propane CSA B149.2, ou encore à la norme relative aux véhicules récréatifs ANSI A 119.2/NFPA 1192 (Standard for Recreational Vehicles) ainsi qu'au code CSA Z240 VC pour les véhicules récréatifs, selon le cas.

### EXIGENCES CONCERNANT LA BOUTEILLE DE PROPANE (9,07 kg)

- Une bouteille de propane abîmée ou rouillée peut être dangereuse et doit être vérifiée par votre fournisseur.
- **N'UTILISEZ** jamais une bouteille dont le robinet est endommagé. La bouteille de propane doit être fabriquée et identifiée conformément aux normes du U.S. Department of Transportation (DOT) pour de telles bouteilles ou à la norme nationale du Canada, CAN/CSA-B339 « Bouteilles et tubes utilisés pour le transport des marchandises dangereuses ».
- La bouteille de 9,07 kg doit être munie d'un robinet d'arrêt se terminant par la sortie de robinet précisé, s'il y a lieu, pour raccord de type QCC1 dans la norme pour les raccords d'entrée et de sortie pour robinet à gaz comprimé ANSI/CGA-V-1.
- Vous pouvez entreposer à l'intérieur un appareil de cuisson extérieur au gaz seulement si la bouteille est débranchée et retirée de l'appareil.
- Le système de la bouteille doit être placé de façon à pouvoir évacuer les émanations gazeuses.
- Le robinet de la bouteille doit comporter un collet protecteur.
- Pression d'admission : (en fonctionnement) colonne d'eau de 27,94 cm, (en arrêt) colonne d'eau de 28,45 cm.
- La bouteille de propane doit être équipée d'un dispositif de protection contre les débordements.
- Retirez le capuchon en plastique de la bouteille de propane.
- Assurez-vous que les tuyaux d'alimentation du barbecue ne touchent pas le plateau à graisse ou le foyer du barbecue lorsque la bouteille est placée dans le chariot.



## **INSTRUCTIONS POUR L'INSTALLATION**

---

### **RACCORDEMENT DE LA BOUTEILLE DE PROPANE**

Pour raccorder la bouteille de propane :

1. Assurez-vous que le robinet de la bouteille est à la position « OFF » (arrêt). Sinon, tournez le robinet dans le sens des aiguilles d'une montre jusqu'à ce qu'il s'arrête.
2. Assurez-vous que le robinet de la bouteille possède le raccord fileté mâle externe de type 1, norme ANSI Z21.81.
3. Assurez-vous que les boutons de commande des brûleurs sont à la position « OFF » (arrêt).
4. Vérifiez les raccords du robinet, l'orifice et l'ensemble du régulateur. Retirez les débris et vérifiez si le tuyau est endommagé.
5. Lorsque vous raccordez l'ensemble du régulateur au robinet, serrez à la main l'écrou dans le sens des aiguilles d'une montre jusqu'à ce qu'il s'arrête.
6. L'utilisation d'une clé peut endommager l'écrou d'accouplement rapide et entraîner une situation dangereuse.
7. Ouvrez complètement le robinet de la bouteille en le tournant dans le sens contraire des aiguilles d'une montre.
8. Avant d'allumer le barbecue, utilisez de l'eau savonneuse pour vérifier si les raccords fuient.
9. Si vous détectez une fuite, tournez le robinet de la bouteille à la position « OFF » (arrêt) et **N'utilisez PAS** le barbecue jusqu'à ce qu'un détaillant de propane local puisse faire les réparations.



### **AVERTISSEMENT**

**N'UTILISEZ** jamais un article endommagé ou obstrué. Consultez votre détaillant de propane local pour les réparations.

### **RETRAIT DE LA BOUTEILLE DE PROPANE**

1. Assurez-vous que les boutons de commande des brûleurs sont à la position « OFF » (arrêt) et que le barbecue est refroidi.
2. Fermez le robinet de la bouteille en le tournant dans le sens des aiguilles d'une montre jusqu'à la position « OFF » (arrêt).
3. Enlevez l'ensemble du régulateur de la bouteille en tournant l'écrou d'accouplement rapide dans le sens contraire des aiguilles d'une montre.
4. Mettez le capuchon protecteur sur le tuyau de sortie du robinet de la bouteille lorsque celle-ci n'est pas utilisée. Utilisez uniquement des capuchons protecteurs du même type que celui fourni avec le robinet de la bouteille. D'autres types de capuchon ou de bouchon peuvent laisser fuir le propane.

### **VÉRIFICATION DES FUITES**

Bien que les raccords de gaz soient vérifiés avant l'expédition, un test complet pour les fuites doit être effectué sur le site de l'installation. Vérifiez la présence de fuites sur tous les raccords de gaz avant chaque utilisation, selon les instructions ci-dessous. Aussitôt que vous sentez une odeur de gaz, vérifiez immédiatement le système en entier pour repérer les fuites.

### **AVANT DE TESTER**

Assurez-vous que tous les matériaux d'emballage ont été retirés du barbecue, y compris les sangles de retenue des brûleurs.

## INSTRUCTIONS POUR L'INSTALLATION

---

### AVERTISSEMENT

Vérifiez la présence de fuites sur tous les raccords d'alimentation en gaz avant chaque utilisation. **N'UTILISEZ** pas le barbecue avant d'avoir vérifié tous les raccords et vous être assuré qu'il n'y a pas de fuite. **NE FUMEZ PAS** lorsque vous vérifiez la présence de fuites. **N'EFFECTUEZ** jamais un test de fuites en présence d'une flamme nue. Préparez une solution composée d'une part de détergent liquide et d'une part d'eau. Appliquez la solution savonneuse sur les raccords en vous servant d'un flacon pulvérisateur, d'une brosse ou d'un linge. Assurez-vous que la bouteille de propane est pleine pour effectuer le premier test de fuites.

### EFFECTUER LE TEST

1. Fermez les boutons de commande des brûleurs.
2. Tournez le robinet de la bouteille de propane dans le sens contraire des aiguilles d'une montre pour l'ouvrir.
3. Appliquez l'eau savonneuse sur tous les raccords de gaz. Des bulles de savon se formeront s'il y a une fuite.
4. Si une fuite est détectée, fermez immédiatement l'alimentation en gaz et serrez les raccords qui présentent une fuite.
5. Rétablissez l'alimentation en gaz et faites une nouvelle vérification.
6. Si les raccords fuient toujours, fermez l'alimentation en gaz et téléphonez au service à la clientèle au 1 800 913-8999.
7. Si vous constatez de l'usure ou de l'abrasion excessive, ou si le tuyau est coupé, vous devez remplacer le tuyau avant d'utiliser l'appareil de cuisson au gaz extérieur.

- Utilisez seulement les pièces recommandées par le fabricant pour le barbecue. Toute substitution annulera la garantie.

### AVERTISSEMENT

**NE** rangez **PAS** le barbecue à l'intérieur à moins que la bouteille ne soit débranchée. **N'entreposez PAS** la bouteille dans un bâtiment, un garage, ni tout autre endroit clos et conservez-la hors de la portée des enfants en tout temps.

### VÉRIFICATION FINALE DE L'INSTALLATION

Le dégagement indiqué de 92 cm de tout matériau combustible et de toute construction a été respecté.

- Tout le matériel d'emballage a été retiré.
- Le tuyau et le régulateur ont été raccordés correctement à la bouteille de propane.
- Le test pour les fuites a été effectué sur le barbecue et aucune fuite n'a été détectée.
- Le robinet d'alimentation en gaz a été localisé.
- Tous les brûleurs sont installés.
- Le présent guide est conservé pour référence ultérieure.

### AVERTISSEMENT

- Le barbecue et son robinet doivent être débranchés du système d'alimentation en gaz avant tout test de pression du système, pour des pressions d'essai excédant 3,5 kPa (0,51 lb/po2).
- L'appareil de cuisson extérieur doit être isolé du système d'alimentation en gaz par la fermeture manuelle de son robinet, pendant tout essai de pression du système, pour des pressions d'essai égales ou inférieures à 3,5 kPa (0,51 lb/po2).

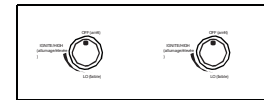
## INSTRUCTIONS POUR L'INSTALLATION

- Pour éviter un incendie, qui pourrait causer des blessures graves ou mortelles, **NE PLACEZ PAS** de bouteilles de gaz propane de recharge à l'intérieur ou près de cet appareil.
- **NE REMPLISSEZ** jamais la bouteille à plus de 80 % de sa capacité. Le non-respect de cette instruction pourrait entraîner un incendie et causer la mort ou des blessures graves.

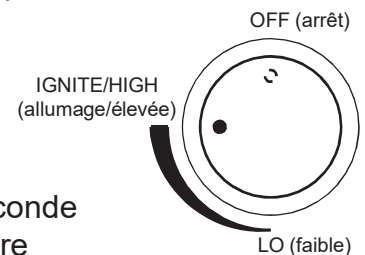
## MODE D'EMPLOI

### ALLUMAGE DU BARBECUE

1. Ouvrez les pieds du barbecue.
2. Assurez-vous que la bouteille de propane est fermement raccordée au régulateur (serrez à la main seulement).
3. Ouvrez le couvercle. Il doit toujours être ouvert lorsque vous allumez l'appareil.
4. Poussez sur le bouton de brûleur principal, puis tournez-le à la position « IGNITE/HI » (allumage/élevée); le brûleur devrait s'allumer immédiatement.
5. S'il ne s'allume pas dans les 3 à 5 secondes suivantes, tournez immédiatement le bouton de commande à la position « OFF » (arrêt). Attendez 5 minutes avant de tenter de rallumer le barbecue. Après la seconde tentative, si le barbecue ne s'allume pas, veuillez communiquer avec notre service à la clientèle au 1 800 913-8999.



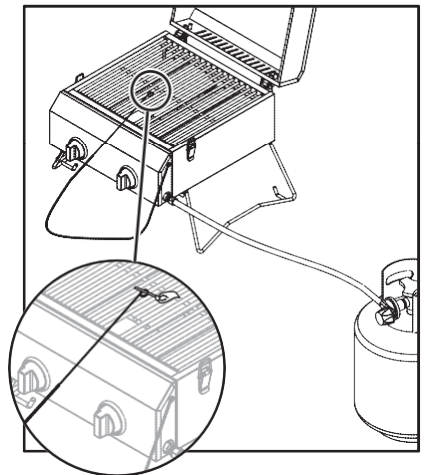
Brûleurs principaux



**Remarque :** Si le bouton ne fonctionne pas, insérez une allumette dans la tige d'allumage. Allumez l'allumette et insérez-la à travers les grilles de cuisson jusqu'au brûleur.

### ARRÊT DU BARBECUE

1. Tournez le bouton à la position « OFF » (arrêt).
2. Tournez le robinet de la bouteille de propane à la position « OFF » (arrêt).  
**ATTENTION : NE TENTEZ PAS** de rallumer le barbecue sans suivre toutes les instructions d'allumage.
3. Laissez refroidir le barbecue pendant au moins 30 minutes avant de le déplacer ou de le transporter.



### CARACTÉRISTIQUES DE LA FLAMME

Vérifiez que les caractéristiques de la flamme du brûleur sont adéquates. La flamme du brûleur doit être bleue et stable sans pointe jaune, bruit excessif, ni élévation. Suivez les étapes ci-dessous pour corriger les caractéristiques de la flamme :



- Tournez les boutons de commande et le robinet de la bouteille de propane à la position « OFF » (arrêt).
- Attendez que le barbecue et les brûleurs se soient refroidis.
- Si la flamme est jaune (manque d'air), tournez la vis de réglage située à l'avant du brûleur dans le sens contraire des aiguilles d'une montre.
- Si la flamme est bruyante ou s'éloigne du brûleur (trop d'air), tournez la vis de réglage dans le sens des aiguilles d'une montre.
- Si ces réglages ne corrigent pas le problème, communiquez avec le service à la clientèle au 1 800 913-8999.

### **UTILISATION DU BARBECUE**

1. Trouvez une surface plane pour le barbecue.
2. Préchauffez le barbecue pendant 5 minutes, le couvercle fermé, avant de l'utiliser.
3. Vous pouvez utiliser le barbecue, quelles que soient les conditions météorologiques. Dans les cas de chaleur ou de froid extrême, le temps de cuisson peut augmenter ou diminuer légèrement. Mettez le barbecue à l'abri, si vous l'utilisez par vents forts.

## ENTRETIEN

Pour une utilisation en toute sécurité de votre barbecue, la surface de cuisson toujours doit être exempte de toute matière combustible, comme de l'essence et d'autres vapeurs ou liquides inflammables.

**Pièces externes du barbecue** – ces pièces sont en acier inoxydable. Elles sont faciles à nettoyer avec de l'eau savonneuse ou un nettoyeur pour acier inoxydable.

**Grille de cuisson et plateau à graisse** – la grille de cuisson est en acier inoxydable. La grille doit être nettoyée dès que la cuisson est terminée, alors qu'elle est encore chaude. Le plateau à graisse est également en acier inoxydable et peut être nettoyé à l'aide d'un grattoir plat, comme un couteau à mastiquer.

### AVERTISSEMENT

Le plateau à graisse doit toujours être propre et exempt d'accumulations importantes pour que le barbecue fonctionne correctement et pour éviter les montées de flamme.

**Brûleurs principaux du barbecue** – soyez très vigilant lorsque vous retirez un brûleur. Il doit être correctement centré dans l'orifice avant de tenter d'allumer de nouveau le barbecue. La fréquence du nettoyage varie selon la fréquence d'utilisation du barbecue.

- Le brûleur doit être adéquatement installé sur l'orifice. Une installation inadéquate peut causer un incendie derrière et sous le panneau de robinet, endommageant le barbecue et rendant son utilisation dangereuse.
- Avant le nettoyage, assurez-vous que les boutons d'alimentation en gaz et de commande sont à la position « OFF » (arrêt) et que les brûleurs ont refroidi.

### **Pour retirer les brûleurs principaux pour le nettoyage :**

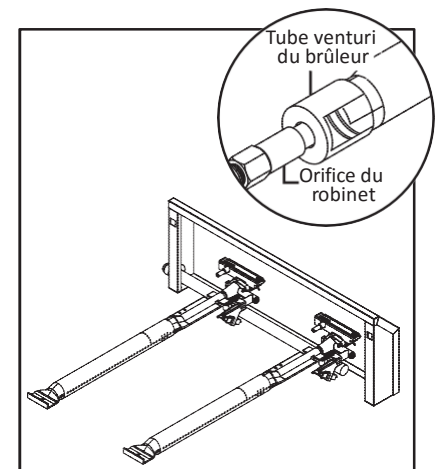
1. Repérez la vis du brûleur à l'arrière du foyer.
2. Retirez la vis du brûleur et soulevez le brûleur hors du foyer.

### **Pour nettoyer les brûleurs du barbecue :**

1. Nettoyez l'extérieur du brûleur avec une brosse métallique. Utilisez un grattoir métallique pour les taches récalcitrantes ou les débris.
2. Nettoyez les trous bouchés à l'aide d'un trombone déplié. N'utilisez jamais un cure-dent en bois, car il pourrait se briser et obstruer le trou.
3. Vérifiez et nettoyez les brûleurs et les tubes de venturi pour enlever les insectes et les nids d'insectes. Un tube obstrué peut activer un feu sous l'appareil et derrière le panneau de commande principal.

### **Pour réinstaller les brûleurs principaux :**

1. Insérez le brûleur sur le robinet principal de gaz du brûleur.
2. Assurez-vous que l'orifice du robinet se trouve dans le tube venturi du brûleur, comme le montre l'illustration.
3. Alignez le trou de vis du brûleur au trou du foyer, insérez la vis, puis serrez-la.



## ENTRETIEN

---

**Foyer** – utilisez de l'eau savonneuse tiède pour le nettoyer. **NE** laissez **PAS** s'accumuler de graisse.

**Trou de drainage** – le trou de drainage doit être exempt de graisse et de morceaux de nourriture afin d'assurer le drainage des résidus vers le plateau à graisse. Le drainage doit être fait pour le bon fonctionnement du barbecue.

**Généralité** – ce barbecue, comme tout autre appareil, aura meilleure apparence et durera plus longtemps si vous le rangez lorsque vous ne l'utilisez pas.

### **ATTENTION**

N'entreposez **PAS** les bouteilles de propane dans des espaces clos. Avant de recouvrir le barbecue ou de le déplacer, attendez toujours qu'il refroidisse (au moins 30 minutes).

- N'entravez pas le flux d'air de combustion et de ventilation.
- Un tube obstrué peut causer un feu sous l'appareil.
- Cet appareil doit être dans un endroit exempt de matières combustibles, d'essence et d'autres vapeurs ou de liquides inflammables.
- Assurez-vous qu'aucun débris n'obstrue les ouvertures du barbecue et qu'aucun objet ou produit ne bloque le flux d'air de combustion ou de ventilation. Assurez-vous que les pieds du barbecue sont ouverts lorsque vous l'utilisez.
- Vérifiez s'il y a des nids d'insectes ou des matières qui bloquent les sorties d'air du brûleur (derrière la grille de l'entrée d'air du côté droit du barbecue). Assurez-vous que les fentes dans le tube du brûleur sont dégagées.
- Si vous n'utilisez pas le barbecue, tournez le bouton de commande à la position « OFF » (arrêt) et retirez la bouteille de propane du régulateur. Retirez le régulateur du brûleur.
- Pour usage à l'extérieur seulement. Si vous rangez cet appareil à l'intérieur, débranchez la bouteille de propane et laissez-la à l'extérieur. Les bouteilles de propane doivent être rangées à l'extérieur, hors de la portée des enfants.

### **IMPORTANT**

**Première utilisation** : il est important d'allumer le barbecue et de le préchauffer pendant 30 minutes avant de déposer des aliments sur sa grille de cuisson. Il est normal qu'à la première utilisation du barbecue un peu de fumée se dégage. Après le préchauffage, le barbecue peut être utilisé. Vous pouvez vaporiser un aérosol de cuisson sur les grilles de cuisson pour faciliter le nettoyage.

**CET APPAREIL DE CUISSON DOIT SERVIR À L'EXTÉRIEUR SEULEMENT ET NE DOIT PAS ÊTRE UTILISÉ DANS UN BÂTIMENT, UN GARAGE, NI TOUT AUTRE ESPACE CLOS.**

### **INSTRUCTIONS RELATIVES AU TRANSPORT**

#### **ATTENTION**

**NE DÉPLACEZ** jamais un barbecue allumé.

Assurez-vous que le bouton de commande est à la position « OFF » (arrêt). Débranchez la bouteille de propane du régulateur. Retirez le régulateur du barbecue. Assurez-vous de laisser refroidir le barbecue pendant au moins 30 minutes. Fermez le couvercle et enclenchez le verrou. Fermez les pieds du barbecue. Servez-vous de la poignée pour transporter le barbecue.

**Remarque** : Il est préférable de laisser le plateau à graisse en place, fixé au bas du barbecue; la graisse peut ainsi s'égoutter par le drain durant le transport.

## DÉPANNAGE

Si vous avez des questions concernant ce produit, veuillez téléphoner au service à la clientèle au 1 800 913-8999, entre 8 h et 5 h (HNP), du lundi au vendredi.



### AVERTISSEMENT

Les araignées et les insectes peuvent faire leur nid à l'intérieur des brûleurs du barbecue et perturber l'arrivée de gaz. Cela peut activer un feu derrière le panneau de robinet, ce qui endommagerait le barbecue et rendrait son utilisation non sécuritaire. Inspectez le barbecue au moins deux fois par année ou immédiatement si ce qui suit survient :

1. Une odeur de gaz se dégage et les flammes du brûleur sont jaunes.
2. Le barbecue n'atteint pas la température souhaitée.
3. La chaleur n'est pas répartie uniformément.
4. Les brûleurs émettent des bruits de craquement.

**Si le barbecue fonctionne mal, vérifiez les points de la liste suivante avant de joindre le service à la clientèle de votre détaillant.**

PROBLÈME	MESURE CORRECTIVE
Le barbecue ne s'allume pas.	<ol style="list-style-type: none"><li>1. Vérifiez si la bouteille de propane est vide.</li><li>2. Vérifiez si les orifices du brûleur sont obstrués. Utilisez une brosse métallique souple pour nettoyer les orifices obstrués.</li><li>3. Vérifiez si l'orifice d'admission du gaz du brûleur est obstrué. Si tel est le cas, nettoyez-le avec une aiguille ou un fil de fer mince.</li></ol> <b>N'UTILISEZ JAMAIS UN CURE-DENT EN BOIS.</b>
La flamme du brûleur est jaune ou orange et une odeur de gaz se dégage.	<ol style="list-style-type: none"><li>1. Vérifiez s'il y a des araignées et des insectes.</li><li>2. Communiquez avec le service à la clientèle au 1 800 913-8999.</li></ol>
La chaleur demeure faible lorsque le bouton de commande est réglé à la position « HIGH » (élevée).	<ol style="list-style-type: none"><li>1. Veillez à ce que la surface de cuisson soit exempte de poussière.</li><li>2. Veillez à ce que le brûleur et l'orifice soient propres.</li><li>3. Vérifiez s'il y a des araignées et des insectes.</li><li>4. L'alimentation en gaz est-elle adéquate?</li><li>5. Le barbecue a-t-il été préchauffé pendant 15 minutes?</li></ol>



## **GARANTIE**

---

Le fabricant garantit uniquement au consommateur (acheteur) initial que le produit (modèle #820-0033) ne présentera aucun défaut de fabrication ou de matériaux, s'il est assemblé correctement et utilisé à des fins domestiques dans des conditions normales et raisonnables, pour les périodes indiquées ci-après, à partir de la date d'achat. Le fabricant se réserve le droit d'exiger des photographies du produit endommagé ou le retour des pièces défectueuses, fret ou port prépayé par le consommateur, aux fins d'inspection et d'examen.

- **BRÛLEURS PRINCIPAUX** : garantie LIMITÉE de 3 ans contre les perforations.
- **CHARIOT** : garantie LIMITÉE de 1 an contre les perforations ne couvrant pas les problèmes esthétiques comme la corrosion en surface, les égratignures et la rouille.
- **PIÈCES** : garantie LIMITÉE de 1 an (y compris, sans y être limité, les robinets, le cadre, le boîtier, le panneau de commande, l'allumeur, le régulateur, les tuyaux). \*Ne couvre pas les éclats, les rayures ou le craquement à cause de la corrosion, des égratignures ou de la rouille de la surface.

Une fois que le consommateur aura fourni une preuve d'achat, comme stipulé dans la présente, le fabricant réparera ou remplacera les pièces jugées défectueuses durant la période de garantie applicable. Les pièces nécessaires à la réparation ou au remplacement seront envoyées sans frais (à l'exception des frais d'expédition) si l'acheteur en fait la demande dans la période de garantie, à partir de la date d'achat initiale. Le consommateur (acheteur) initial est responsable des frais d'expédition des pièces remplacées selon les conditions de la présente garantie limitée. Cette garantie limitée est en vigueur aux États-Unis et au Canada seulement, elle est offerte uniquement à la personne à laquelle l'appareil a été vendu à l'origine et n'est pas transférable. Le fabricant exige une preuve raisonnable de la date d'achat. Il faut par conséquent conserver le reçu ou la facture. Si l'appareil est un cadeau, vous devez demander à la personne vous ayant offert cet article d'envoyer le reçu en votre nom, à l'adresse ci-dessous. Les pièces défectueuses ou manquantes assujetties à cette garantie limitée ne seront pas remplacées sans inscription ou preuve d'achat. Cette garantie limitée s'applique à la fonctionnalité du produit SEULEMENT et ne couvre pas les problèmes esthétiques comme les rayures, les bosses, la corrosion ou la décoloration par la chaleur, les nettoyants abrasifs ou chimiques ou tout autre outil utilisé durant l'assemblage ou l'installation de l'appareil, la rouille en surface ou la décoloration des surfaces en acier inoxydable. La rouille en surface, la corrosion ou les éclats de peinture pulvérisée sur les pièces métalliques ne compromettent pas l'intégrité structurelle du produit et ne sont pas considérés comme un défaut de fabrication ou de matériaux et ne sont pas couverts par cette garantie. Cette garantie limitée ne rembourse pas le coût associé à tout désagrément, à toute nourriture, à toute blessure ou à tout dommage à la propriété. Si une pièce de rechange originale n'est pas disponible, une pièce de rechange similaire sera envoyée. Vous êtes responsable des frais d'expédition des pièces remplacées selon les conditions de la présente garantie limitée.

### **ÉLÉMENTS NON PAYÉS PAR LE FABRICANT :**

- Appels de service à votre domicile.
- Réparations lorsque le produit sert à d'autres fins qu'une utilisation normale familiale ou résidentielle.
- Dommages résultant d'un accident, d'une modification, d'un usage inapproprié ou abusif, d'un manque d'entretien ou de nettoyage, d'un incendie, d'une inondation, d'un cas de force majeure, d'une installation inadéquate ou non conforme aux codes de l'électricité ou de la plomberie, ou l'utilisation du produit d'une manière non prescrite par le fabricant.
- Toute perte de nourriture liée aux pannes du produit.

## **GARANTIE**

---

- Pièces de rechange ou coût de la main-d'œuvre de réparation pour un appareil utilisé à l'extérieur des États-Unis ou du Canada.
- Ramassage et livraison du produit.
- Frais de poste ou frais de développement des photos envoyées comme preuves.
- Réparations de pièces ou de systèmes résultant de modifications non autorisées sur l'appareil.
- Retrait ou réinstallation du produit.
- Frais d'expédition, standard ou accélérée, des pièces garanties, non garanties ou de rechange.

### **CLAUSE DE NON-RESPONSABILITÉ DES GARANTIES IMPLICITES; LIMITES DES RECOURS**

La réparation ou le remplacement des pièces défectueuses est votre seul recours selon les conditions de la présente garantie limitée. Le fabricant n'est pas responsable des dommages consécutifs ou accessoires découlant d'un manquement à la présente garantie limitée ou à toute autre garantie implicite applicable, ni des défaillances ou des dommages résultant des cas de force majeure, d'un entretien inadéquat, d'un feu de graisse, d'un accident, d'une modification, du remplacement de pièces par quiconque autre que le fabricant, d'un usage inapproprié, du transport, d'un usage commercial ou abusif, d'un milieu hostile (température inclémente, phénomènes naturels, dommages causés par les animaux) ou d'une installation inadéquate ou non conforme aux codes locaux ou aux instructions imprimées du fabricant.

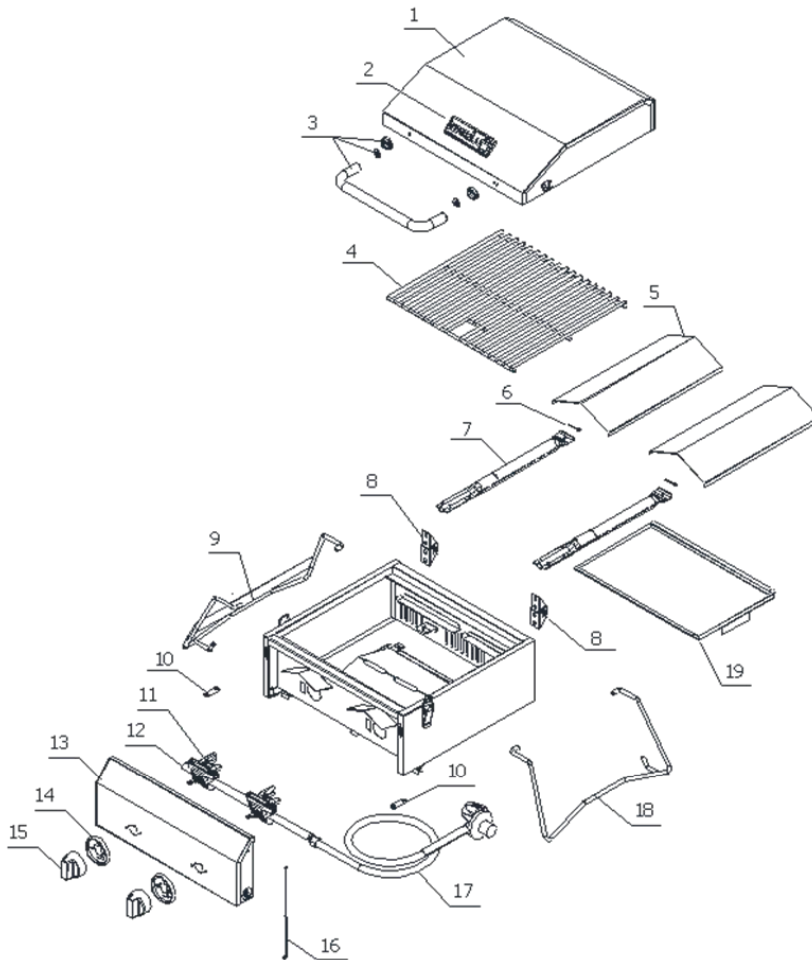
**CETTE GARANTIE LIMITÉE EST LA SEULE GARANTIE EXPRESSE OFFERTE PAR LE FABRICANT. AUCUNE SPÉCIFICATION DE RENDEMENT DU PRODUIT OU DESCRIPTION, PEU IMPORTE OÙ ELLE FIGURE, N'EST GARANTIE PAR LE FABRICANT SAUF CELLE PRÉVUE DANS LA PRÉSENTE GARANTIE LIMITÉE. TOUTE PROTECTION IMPLICITE ACCORDÉE PAR LES LOIS DE TOUT ÉTAT OU PROVINCE, Y COMPRIS LA GARANTIE IMPLICITE DE QUALITÉ MARCHANDE OU D'ADAPTATION À UN USAGE PARTICULIER SE LIMITE À LA DURÉE DE LA PRÉSENTE GARANTIE.**

Ni les détaillants ni les commerces de détail vendant ce produit ne sont autorisés à offrir une garantie supplémentaire ou des recours supplémentaires ou contradictoires à ceux mentionnés précédemment. La responsabilité maximale du fabricant ne doit, en aucun cas, dépasser le prix d'achat consigné pour le produit payé par le consommateur initial. Cette garantie ne s'applique qu'aux appareils achetés d'un détaillant ou d'un revendeur autorisé. **REMARQUE** : Certains États ou certaines provinces ne permettent pas la limitation ou l'exclusion des dommages accessoires ou consécutifs, de sorte que les limitations et exclusions mentionnées ci-dessus peuvent ne pas s'appliquer à vous. Cette garantie vous confère des droits précis tels qu'ils sont énoncés dans la présente. Il est possible que vous disposiez également d'autres droits qui varient d'un État ou d'une province à l'autre.

Si vous avez des questions générales ou des questions concernant les retours, les commandes de pièces et le dépannage, veuillez téléphoner au 1 800 913-8999, entre 8 h et 5 h (HNP), du lundi au vendredi.

## LISTE DES PIÈCES DE RECHANGE

Pour obtenir des pièces de rechange, communiquez avec notre service à la clientèle au 1 800 913-8999, entre 8 h et 5 h (HNP), du lundi au vendredi.



PIÈCE	DESCRIPTION	N° DE PIÈCE
1	Couvercle principal	820-0033-01
2	Logo	820-0033-02
3	Ensemble de la poignée du couvercle principal	820-0033-03
4	Grille de cuisson avec trou	820-0033-04
5	Protecteur de flamme	820-0033-05
6	Goupille du brûleur	820-0033-06
7	Brûleur principal	820-0033-07
8	Charnière du couvercle principal	820-0033-08
9	Pied gauche	820-0033-10
10	Raccord du panneau de commande	820-0033-11
11	Robinet de gaz	820-0033-12

PIÈCE	DESCRIPTION	N° DE PIÈCE
12	Collecteur principal	820-0033-13
13	Panneau de commande principal	820-0033-14
14	Collerette de bouton de commande	820-0033-15
15	Bouton de commande	820-0033-16
16	Tige d'allumage	820-0033-17
17	Régulateur pour propane	820-0033-18
18	Pied droit	820-0033-19
19	Plateau à graisse	820-0033-20

Imprimé in Chine

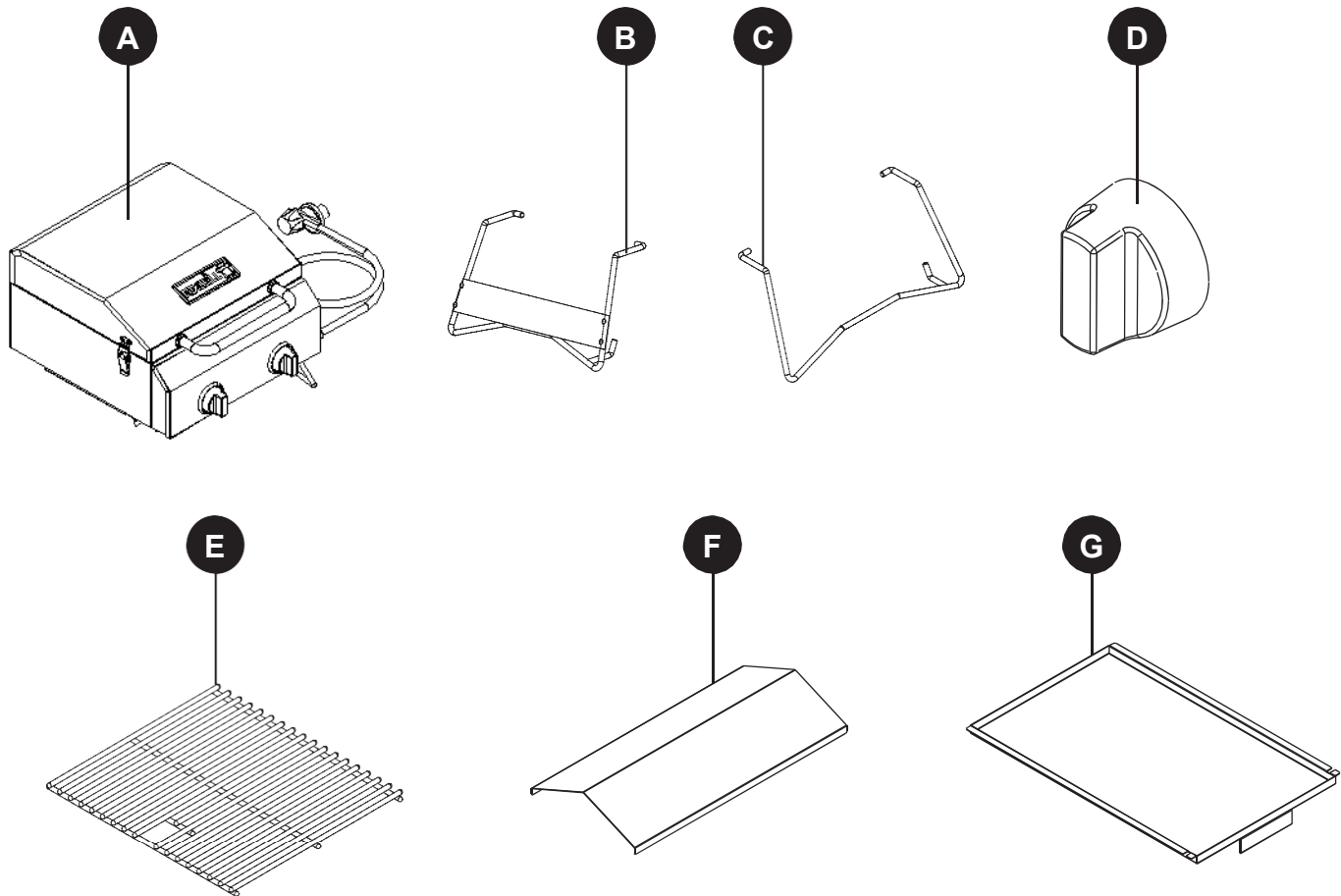
Contenido del paquete . . . . .	41	Instrucciones de funcionamiento . . . . .	51
Información de seguridad . . . . .	41	Cuidado y mantenimiento . . . . .	53
Preparación . . . . .	45	Solución de problemas . . . . .	55
Instrucciones de ensamblaje . . . . .	45	Garantía . . . . .	56
Instrucciones de instalación . . . . .	48	Lista de piezas de repuesto . . . . .	58

**⚠ RÉSIDENTS DE CALIFORNIE SEULEMENT - AVERTISSEMENT:** Ce produit et les combustibles qui sont utilisés pour son fonctionnement sous (propane liquide) et les produits de combustion comme le fioul peuvent vous exposer à des produits chimiques, tels que le benzène, qui est connu par l'État de Californie de causer le cancer et de produire des danger possible à la reproduction. *Pour plus d'informations, visitez [www.P65Warnings.ca.gov](http://www.P65Warnings.ca.gov).*

**Dans l'État du Massachusetts, les instructions d'installation suivantes sont applicables :**

- Les travaux d'installation et réparation doivent être exécutés par un plombier ou tuyauteur qualifié ou licencié, ou par le personnel qualifié d'une entreprise licenciée par l'État du Massachusetts.
- Si une vanne à boisseau sphérique est utilisée, elle doit comporter une manette "T".
- Si un conduit de raccordement flexible est utilisé, sa longueur ne doit pas dépasser 3 pi.

## CONTENIDO DEL PAQUETE



PIEZA	DESCRIPCIÓN	CANTIDAD
A	Parrilla	1
B	Pata izquierda	1
C	Pata derecha	1
D	Perilla	2

PIEZA	DESCRIPCIÓN	CANTIDAD
E	Rejilla de cocción	1
F	Difusor de llama	2
G	Bandeja de recolección de grasa	1

## INFORMACIÓN DE SEGURIDAD

Lea y comprenda completamente este manual antes de intentar ensamblar, usar o instalar el producto.

### PELIGRO

Si percibe olor a gas:

1. Cierre el suministro de gas hacia el electrodoméstico.
2. Apague cualquier llama expuesta.
3. Abra la tapa.
4. Si el olor persiste, manténgase alejado del electrodoméstico y llame de inmediato a su proveedor de gas o al Departamento de Bomberos local.

## INFORMACIÓN DE SEGURIDAD

Si no sigue estas instrucciones, podría provocar un incendio o una explosión que ocasione daños a la propiedad, lesiones personales o la muerte.

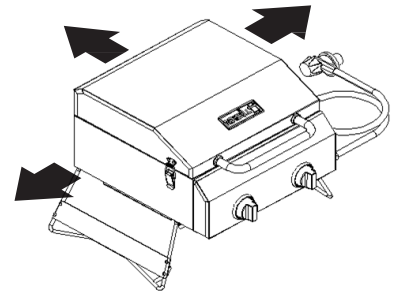
### PELIGRO

- **NUNCA** deje este electrodoméstico sin supervisión.
- **NUNCA** use este electrodoméstico a menos de 3,05 metros (10 pies) de cualquier estructura, material combustible u otro cilindro de gas.
- **NUNCA** use este electrodoméstico a menos de 7,62 metros (25 pies) de líquidos inflamables.
- **NO LLENE** el recipiente de cocción más allá de la línea de llenado máximo.
- Este electrodoméstico no está diseñado para usarse como calentador y nunca debe utilizarse como tal.
- Si se produce un incendio, manténgase alejado del electrodoméstico y llame de inmediato al Departamento de Bomberos. **NO UTILICE** agua para intentar extinguir un fuego provocado por aceite o grasa.

La instalación debe cumplir con los códigos locales o, en su ausencia, con los Códigos nacionales de gas combustible, el Código nacional de gas combustible ANSI Z223.1/NFPA 54, la Norma ANSI/NFPA 58 para el almacenaje y manipulación de gas licuado de petróleo o la Norma para vehículos recreacionales, ANSI A119.2/NFPA 1192 y el Código de vehículos recreacionales CSA Z240 RV, según corresponda.

### PELIGRO

- El cilindro de suministro de gas propano líquido debe estar fabricado y marcado según las especificaciones para este tipo de cilindros del Departamento de Transporte de EE.UU. (DOT, por sus siglas en inglés) o la Ley Nacional de Canadá, CANB339, para "Cilindros, esferas y tubos para el transporte de mercancías peligrosas".
- Esta parrilla de mesa está destinada solo para uso en exteriores. La parrilla debe hacerse funcionar en un espacio con buena ventilación. **NUNCA** la use en espacios cerrados, garajes ni edificios. La parrilla no está diseñada para instalarse en vehículos de recreación ni botes.
- Los líquidos calentados se mantienen a altas temperaturas por mucho tiempo después de haber terminado el proceso de cocción. **NO TOQUE** el electrodoméstico de cocción hasta que los líquidos se hayan enfriado hasta llegar a 46,1 °C o menos.
- **NO INSTALE** ni use la parrilla si hay materiales combustibles a menos de 92 cm de la parte posterior y los costados de esta. La parrilla no se debe colocar debajo de superficies superiores (entrada para automóviles cerrada, garaje, porche, patio) que puedan incendiarse.
- **NUNCA** intente conectar esta parrilla al sistema de gas PL autocontenido de un remolque para camping o casa rodante.
- El ensamblaje, la instalación y el mantenimiento de la parrilla a gas son de responsabilidad de quien la ensambla. **NO PERMITA** que niños ni mascotas operen o jueguen cerca de la parrilla de mesa. No seguir estas instrucciones podría provocar lesiones personales graves o daños a la propiedad.
- Retire la tapa antes de encender la parrilla. Cuando la parrilla no está en uso, cierre la perilla de control del cilindro de gas PL.
- Siga atentamente las instrucciones de este manual para realizar un ensamblaje y una prueba de fugas correctos a la parrilla. **NO USE** la parrilla hasta que haya realizado la prueba de fugas. Si se detecta una fuga en cualquier momento, se debe detener y corregir antes de continuar usando la parrilla.
- El área del electrodoméstico se debe mantener libre de materiales combustibles, gasolina, gas embotellado en cualquier forma y otros vapores y líquidos inflamables. **NO OBSTRUYA** el flujo del aire de combustión ni de ventilación.



## **INFORMACIÓN DE SEGURIDAD**

---

- **¡NUNCA** intente encender la parrilla con la tapa cerrada! La acumulación de gases es muy peligrosa y puede causar una explosión.
- Mantenga todos los cables eléctricos o la manguera de suministro de combustible alejados de cualquier superficie caliente.
- El propano es un gas inflamable y si se manipula de manera inadecuada puede provocar una explosión o un incendio y un accidente o lesión grave.
- Este electrodoméstico estará caliente durante el uso y después del mismo. Utilice guantes o guantes para horno aislantes para protegerse de las superficies calientes o las salpicaduras de los líquidos de cocción.
- **NO DEJE** la parrilla sin supervisión mientras está en uso.
- **NO USE** la parrilla bajo los efectos de drogas o alcohol.
- **NO ALMACENE** cilindros de PL (propano), llenos o vacíos, debajo ni cerca de la parrilla.
- Este electrodoméstico no está destinado para usos comerciales o alquiler.
- Debe desconectar el cilindro cuando el electrodoméstico no esté en uso.

Algunas veces, arañas y otros insectos pequeños ingresan al tubo del quemador. Las arañas tejen telarañas, construyen nidos y ponen huevos. Las telarañas o los nidos pueden ser muy pequeños, pero son muy resistentes y pueden bloquear el flujo de gas. Limpie el quemador antes de usarlo luego del almacenaje, al comienzo de la temporada de asados o después de un período de un mes sin utilizarse.

### **SISTEMA DE COMBUSTIBLE**

Los elementos del sistema de combustible están diseñados para funcionar con esta parrilla. No deben reemplazarse con ninguna otra marca. (Consulte la lista de piezas para conocer los artículos de repuesto.)

**QUEMADOR DE GAS:** El quemador de gas está fabricado de acero inoxidable y no debería requerir mayor mantenimiento que la inspección en busca de insectos o nidos dentro de las ranuras de entrada de aire.

### **PRECAUCIÓN**

Se debe usar solamente el regulador de presión de gas incluido con este electrodoméstico. Este regulador está equipado con el orificio requerido y está ajustado para la presión de salida necesaria para este electrodoméstico. Esta combinación de especificaciones de tamaño del orificio y regulador la presión proporcionan el rendimiento de cocción previstos por el fabricante. Sustituir el regulador con cualquier otro dispositivo es peligroso y podría provocar lesiones graves.

### **MANGUERA DE SUMINISTRO DE COMBUSTIBLE**

La manguera conectada al regulador que se proporciona con este electrodoméstico tiene 0,91 metros de largo. Mantenga la manguera de combustible alejada de superficies calientes.

### **ADVERTENCIA**

**COMBUSTIBLE PROPANO:** El propano es un gas inflamable. Si se manipula de forma inadecuada puede provocar una explosión o un incendio y un accidente o lesiones graves. Esta parrilla está diseñada para funcionar con gas propano (PL) solamente y está equipada con el orificio adecuado para este gas.

### **PRECAUCIÓN**

**NO CONECTE** esta parrilla a ningún suministro de gas que no sea propano. El gas propano es más pesado que el aire y se deposita en áreas más bajas. Asegúrese de disponer de la ventilación suficiente cuando use la parrilla. El cilindro de gas puede almacenarse en exteriores en un área bien ventilada fuera del alcance de los niños cuando la parrilla no está en uso.

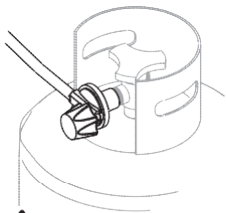


## INFORMACIÓN DE SEGURIDAD

El cilindro de gas PL solo se debe usar en exteriores en un espacio bien ventilado y no en edificios, garajes ni otras áreas cerradas. La parrilla de mesa puede almacenarse en interiores si el cilindro de gas se retira y se almacena en exteriores. El cilindro de gas PL (no se incluye) es roscado para conectarse directamente al regulador de gas que se proporciona con este electrodoméstico. Se debe tener cuidado al enroscar el cilindro al regulador a fin de conectar las roscas de forma correcta para lograr la conexión adecuada y prevista. Cuando desconecte o conecte el cilindro de gas, tenga cuidado de que el regulador no golpee la parrilla, el gas ni ninguna otra superficie. Cuando retire el cilindro de la parrilla, vuelva a colocar la tapa de protección sobre la conexión roscada de este. Si tiene alguna dificultad al conectar o desconectar el cilindro a la estructura del regulador, póngase en contacto con el proveedor de gas local para obtener ayuda.

Cuando vuelva a conectar el cilindro de gas PL al regulador, asegúrese de apretarlo con la mano hasta que quede ajustado. Se debe inspeccionar esta conexión para detectar daños y se le debe realizar la prueba de fugas después de cada reconexión.

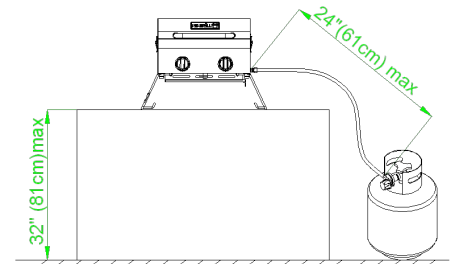
Para hacer una prueba de fugas, prepare una solución de jabón de detergente líquido y agua en partes iguales. Necesitará un rociador, pincel o paño para aplicar la solución en la conexión. La formación de burbujas indica que hay fugas.



Revise todos los conectores del suministro de gas para detectar fugas antes de cada uso. NO utilice la parrilla hasta que haya revisado todas las conexiones y comprobado que no hay fugas.

### ADVERTENCIA

- **SIEMPRE** haga funcionar la parrilla sobre una mesa, de no más de 81,28 cm.
- Coloque el tanque de propano en el suelo inmediatamente junto a la cubierta de la mesa, a no más de 60,96 cm de distancia de la parrilla.
- Si no sigue estas instrucciones, el tanque de propano se podría sobrecalentar y ventilar propano, lo que se podría encender y provocar lesiones personales graves o daños a la propiedad, o crear un peligro de tropiezo con la manguera de gas o el tanque de propano, lo que podría hacer que la parrilla se caiga de la mesa y provocar lesiones personales graves o daños a la propiedad.



**GUARDE ESTAS INSTRUCCIONES PARA REFERENCIA FUTURA.**

## PREPARACIÓN

Antes de comenzar a ensamblar el producto, asegúrese de tener todas las piezas. Compare las piezas con la lista del contenido del paquete. No intente ensamblar el producto si falta alguna pieza o si estas están dañadas.

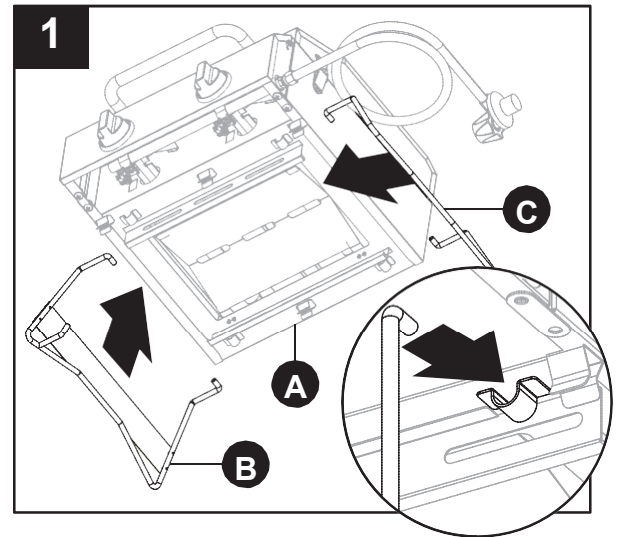
- Retire todo el material de empaque de la parrilla.

**Tiempo estimado de ensamblaje:** 5 minutos

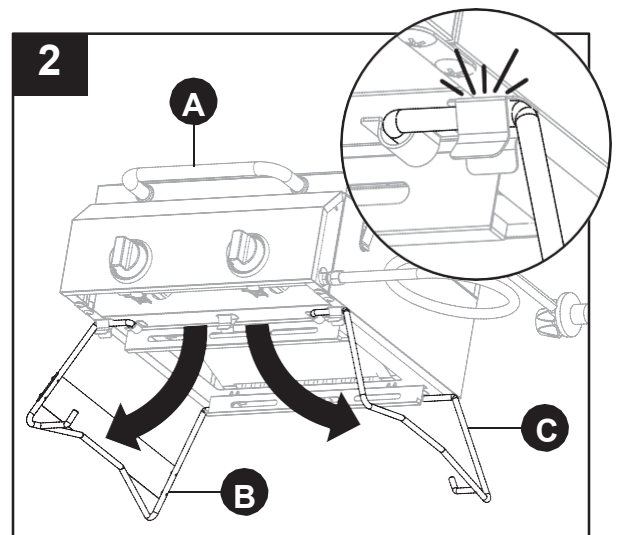
## INSTRUCCIONES DE ENSAMBLAJE

1. Inserte la pata izquierda (B) y la pata derecha (C) en las abrazaderas en la parte inferior de la parrilla (A) como se muestra.

**Nota:** Con dos manos, extienda las patas plegables para permitir que se deslicen dentro de las abrazaderas.

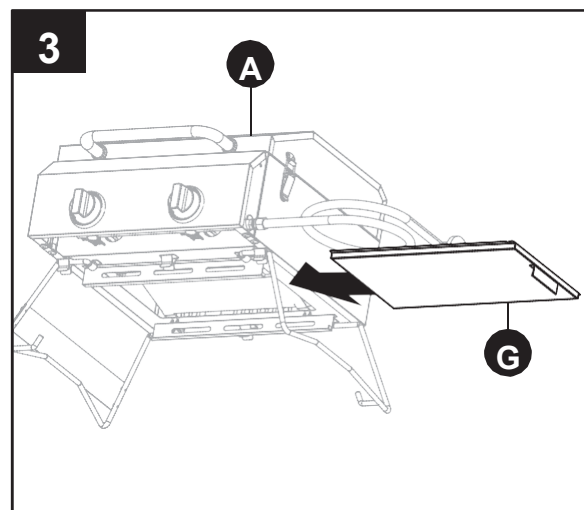


2. Despliegue la pierna izquierda (B) y la pierna derecha (C) para asegurarlas en su lugar.

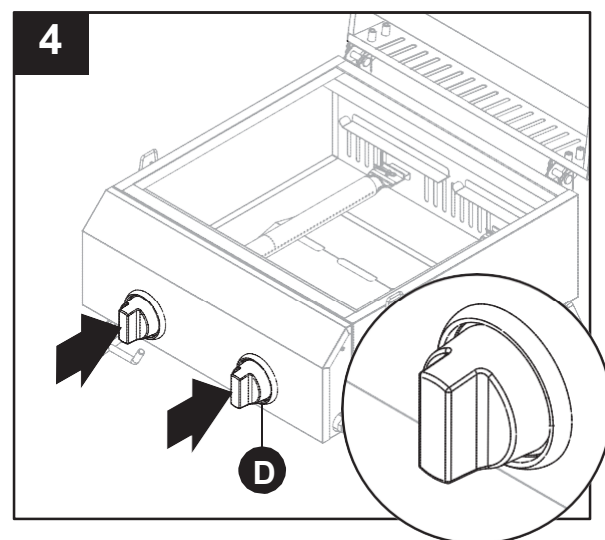


## INSTRUCCIONES DE ENSAMBLAJE

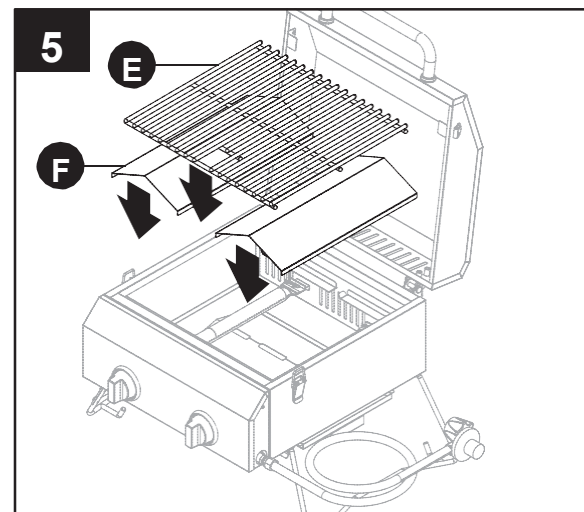
3. Inserte la bandeja de recolección de grasa (G) en la parte inferior de la parrilla (A).



4. Fije las perillas de control (D) a la parte frontal de la parrilla. Presione y gire la perilla, y revise si hay chispas.



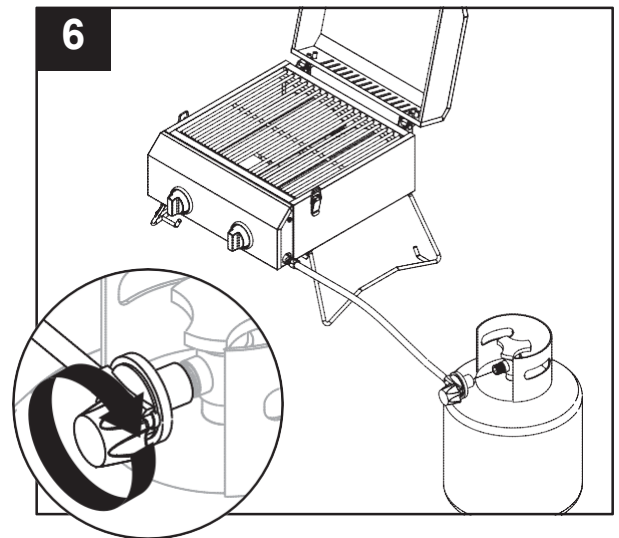
5. Coloque el difusor de llama (F) y la rejilla de cocción (E) dentro de la cámara de combustión.



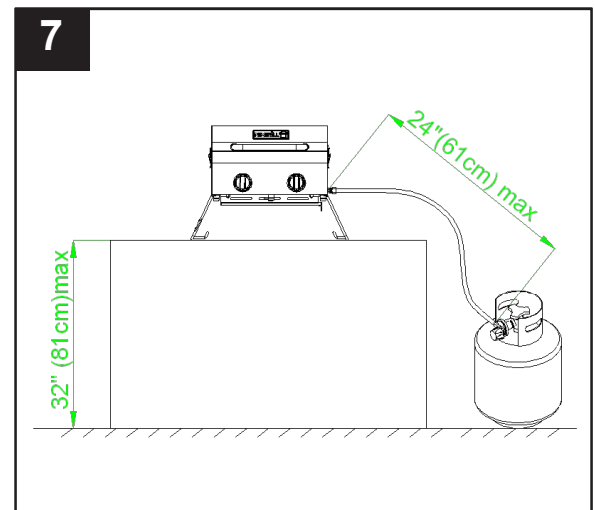
## INSTRUCCIONES DE ENSAMBLAJE

6. Fije el regulador que se encuentra en el extremo de la manguera al cilindro de propano (no se incluye) girando la manija del regulador en dirección de las manecillas del reloj. Si la parrilla no está en uso se debe colocar el paso de gas en la posición "OFF" (APAGADO) desde el cilindro de propano.

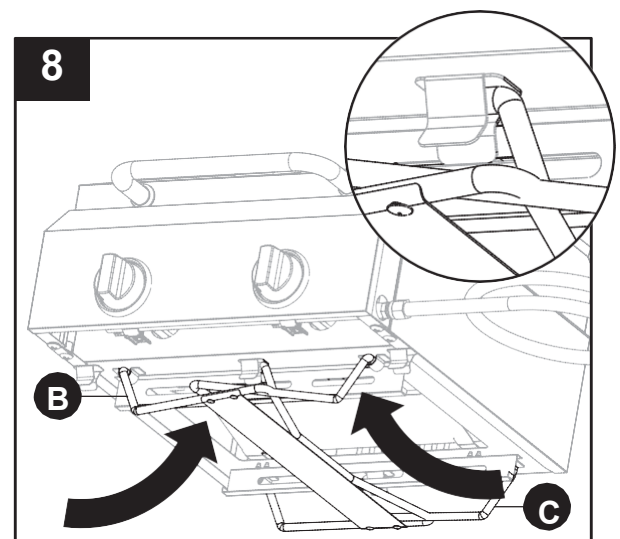
Revise todos los conectores del suministro de gas para detectar fugas antes de cada uso. No use la parrilla hasta que haya revisado todas las conexiones y comprobado que no hay fugas. (Consulte las instrucciones "Prueba de fugas" de la página 51).



7. Se recomienda usar esta parrilla sobre una mesa de 81,28 cm de alto con el cilindro de propano líquido a no más de 60,96 cm de distancia.



8. Cuando la parrilla no esté en uso, doble la pata izquierda (B) y la pata derecha (C) y fíjelas en las abrazaderas de la parte inferior de la parrilla para almacenarla.



## INSTRUCCIONES DE INSTALACIÓN

### CONEXIÓN AL GAS

Se debe usar solo el ensamble del regulador de presión y manguera incluido con la parrilla. El reemplazo de cualquiera de estos accesorios debe estar especificado por el fabricante de la parrilla. Esta parrilla está configurada para usarse con gas propano líquido. **NO** use un suministro de gas natural.

Consumo total de gas (por hora) con todos los quemadores establecidos en "HIGH" (ALTO).	
Quemadores principales	16.000 BTU/Hr.
Total	16.000 BTU/Hr.

La instalación de este electrodoméstico debe cumplir con los códigos locales o, en su ausencia, con el Código nacional de gas combustible, ANSI Z223.1/NFPA 54, el Código nacional de instalación de gas propano y natural, CSA B149.1, o el Código de manipulación y almacenaje de propano, B149.2, o la Norma para vehículos recreacionales, ANSI A119.2/NFPA 1192 y el Código de vehículos recreacionales CSA Z240 serie RV, según corresponda.

### REQUISITOS DEL CILINDRO DE PROPANO LÍQUIDO (cilindro de 9,07 kg)

- Los cilindros de propano líquido abollados u oxidados pueden ser peligrosos y deben ser revisados por el proveedor.
- **NUNCA** use un cilindro con la válvula dañada.
- El cilindro de propano líquido debe estar fabricado y marcado según las especificaciones para cilindros de gas propano del Departamento de transporte de los EE. UU. (DOT) o la Ley Nacional de Canadá CAN/CSA-B339, "Cilindros, esferas y tubos para el transporte de mercancías peligrosas".
- El cilindro de 9,07 kg debe tener una válvula de cierre que termine en una válvula de salida especificada, según corresponda, para la conexión tipo QCC1 de la norma para la conexión de entrada y salida de válvula del cilindro de gas comprimido ANSI/CGA-V-1.
- Está permitido el almacenaje de un electrodoméstico de cocción a gas para exteriores solo si se desconecta y retira el cilindro del electrodoméstico de cocción a gas.
- Se debe adaptar el sistema del cilindro para la extracción de vapores.
- El cilindro debe incluir un anillo para proteger su válvula.
- Presión del tubo colector\_ (en funcionamiento) 279,4 mm de columna de agua (mm c.a.); (sin funcionar) 284,48 mm de columna de agua (mm c.a.).
- El cilindro de propano líquido debe contar con un dispositivo de protección contra sobrellenado (OPD, por sus siglas en inglés).
- Retire la cubierta plástica de la válvula del cilindro de propano líquido.
- Asegúrese de que las mangueras del gas de la parrilla no estén en contacto con la bandeja de grasa o la cámara de combustión de la parrilla en el momento de colocar el cilindro de propano líquido en el carrito.

## **INSTRUCCIONES DE INSTALACIÓN**

---

### **CONEXIÓN DEL CILINDRO DE PROPANO LÍQUIDO**

Para conectar el cilindro de suministro de gas propano líquido:

1. La válvula del cilindro debe estar en la posición "OFF". De no ser así, gire la válvula en dirección de las manecillas del reloj hasta que se detenga.
2. Asegúrese de que la válvula del cilindro tenga las conexiones roscadas macho externas tipo 1 adecuadas según ANSI Z21.81.
3. Asegúrese de que las válvulas del quemador estén en la posición "OFF".
4. Revise las conexiones de la válvula, el orificio y el ensamble del regulador. Elimine la suciedad y revise que la manguera no presente daños.
5. Cuando conecte el ensamble del regulador a la válvula, use la mano para apretar la tuerca en dirección de las manecillas del reloj hasta que se detenga.
6. El uso de una llave inglesa podría dañar la tuerca de acoplamiento rápido y crear una situación de riesgo.
7. Abra totalmente la válvula del cilindro girándola en dirección contraria a las manecillas del reloj.
8. Antes de encender la parrilla, use una solución de agua y jabón para revisar todas las conexiones para detectar fugas.
9. Si se descubre una fuga, lleve la válvula del cilindro a la posición "OFF" y **NO USE** la parrilla hasta que un distribuidor de propano líquido local haya hecho las reparaciones.



### **ADVERTENCIA**

**NUNCA** intente utilizar un equipo dañado u obstruido. Consulte con un distribuidor local de propano líquido para la reparación.

### **DESCONEXIÓN DEL CILINDRO DE PROPANO LÍQUIDO**

1. Gire las válvulas del quemador de la parrilla hasta la posición "OFF" y asegúrese de que la parrilla esté fría.
2. Gire la válvula del cilindro de propano líquido hasta la posición "OFF" en dirección de las manecillas del reloj hasta que se detenga.
3. Separe el ensamble del regulador de la válvula del cilindro girando la tuerca de acoplamiento rápido en dirección contraria a las manecillas del reloj.
4. Coloque la tapa en la salida de la válvula del cilindro cuando no esté en uso. Solo instale el tipo de tapa para polvo que se proporciona con la válvula del cilindro en la salida de la válvula del cilindro. Otros tipos de tapas o tapones pueden causar una fuga de propano.

### **PRUEBA DE FUGAS**

Si bien las conexiones de gas de la parrilla han sido probadas para verificar que no existan fugas antes de su traslado, se debe realizar una prueba de fugas completa en el lugar de instalación. Antes de cada uso, revise todas las conexiones de gas para detectar fugas mediante los procedimientos que se enumeran a continuación. Si en algún momento percibe olor a gas, verifique inmediatamente todo el sistema para detectar fugas.

### **ANTES DE LA PRUEBA**

Asegúrese de que se hayan retirado todos los materiales de embalaje de la parrilla, incluidas las correas de sujeción de los quemadores.

## INSTRUCCIONES DE INSTALACIÓN

---

### ADVERTENCIA

Revise todos los conectores del suministro de gas para detectar fugas antes de cada uso. **NO UTILICE** la parrilla hasta que haya revisado todas las conexiones y comprobado que no hay fugas. **NO FUME** durante las pruebas de fugas. **NUNCA** realice una prueba de fugas con una llama expuesta. Prepare una solución de detergente líquido y agua en partes iguales. Necesitará un rociador, pincel o paño para aplicar la solución en los conectores. Para la prueba de fugas inicial, asegúrese de que el cilindro de propano líquido esté lleno.

### PARA HACER LA PRUEBA

1. Cierre las válvulas de los quemadores.
2. Gire la válvula del cilindro de propano líquido en dirección contraria a las manecillas del reloj para abrirla.
3. Aplique la solución jabonosa en todos los conectores del suministro de gas. En el lugar donde haya una fuga se formarán burbujas de jabón.
4. Si se ha detectado una fuga, coloque el suministro de gas en la posición "OFF" (APAGADO) y apriete todos los conectores que tengan fugas.
5. Coloque el suministro de gas en la posición "ON" (ENCENDIDO) y vuelva a revisar.
6. En caso de que alguno de los conectores tuviera fugas, coloque el suministro de gas en la posición "OFF" y póngase en contacto con el Servicio al Cliente al 1-800-963-0211.
7. Si hay pruebas de abrasión o desgaste excesivos o si la manguera está cortada, deberá reemplazarla antes de poner el electrodoméstico en funcionamiento

- Solo se deben usar en la parrilla las piezas recomendados por el fabricante. Las sustituciones anularán la garantía.

### ADVERTENCIA

**NO ALMACENE** la parrilla en interiores a menos que el cilindro se encuentre desconectado. **NO ALMACENE** el cilindro en un edificio, garaje o en cualquier otra área cerrada, y manténgalo siempre fuera del alcance de los niños.

### VERIFICACIÓN FINAL DEL INSTALADOR

Mantenga una distancia precisa de 92 centímetros de materiales y estructuras inflamables.

- Se retiraron todos los envoltorios internos.
- La manguera y el regulador están debidamente conectados al cilindro de propano líquido.
- La unidad se ha probado y no existen fugas.
- Se ha ubicado la válvula de cierre del suministro de gas.
- Se instalaron todos los quemadores.
- Conserve el manual de instrucciones para referencia futura.

### ADVERTENCIA

- Esta parrilla y su válvula de cierre individual deben desconectarse del sistema de tuberías de suministro de gas durante las pruebas de presión de ese sistema a presiones superiores a 1/2 PSI (3,5 kPa).
- El electrodoméstico de cocción a gas para exteriores debe desconectarse del sistema de tuberías de suministro de gas cerrando manualmente la válvula de cierre individual durante cualquier prueba de presión de dicho sistema que se realice a una presión inferior o equivalente a 1/2 PSI (3,5 kPa).



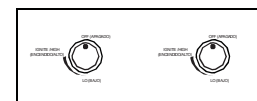
## INSTRUCCIONES DE INSTALACIÓN

- **NO ALMACENE** cilindros de propano líquido de repuesto debajo ni cerca de este electrodoméstico para evitar el riesgo de incendio, que podría provocar la muerte o lesiones graves.
- **NUNCA** llene el cilindro a más del 80% de su capacidad. Si lo hace, puede provocar un incendio que cause la muerte o lesiones graves.

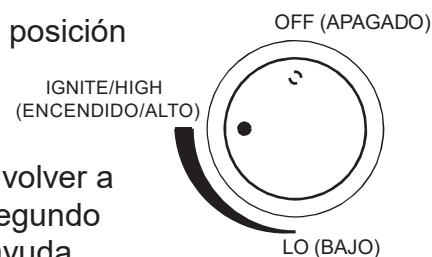
## INSTRUCCIONES DE FUNCIONAMIENTO

### ENCENDIDO DE LA PARRILLA

1. Coloque las patas en la posición vertical.
2. Asegúrese de que el cilindro de propano esté roscado firmemente en el regulador (solo apretado a mano).
3. Abra la tapa. **SIEMPRE** abra la tapa para encender la parrilla.
4. Presione y gire lentamente la perilla del quemador principal hasta la posición "IGNITE/HIGH" (ENCENDER/ALTO); el quemador debe encenderse de inmediato.
5. Si no se enciende dentro de 3 a 5 segundos, gire la perilla de control a la posición "OFF" (APAGADO). Espere 5 minutos antes de volver a intentar encender la parrilla. Si la parrilla no se enciende luego del segundo intento, llame a Servicio al Cliente al 1-800-913-8999 para obtener ayuda.



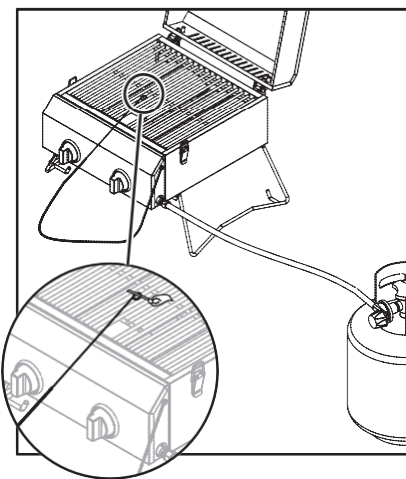
Quemadores principales



**Nota:** Si la perilla no genera chispas, inserte el fósforo en la varilla de encendido. Encienda el fósforo e introdúzcalo a través de las rejillas de cocción en el quemador.

### PARA APAGAR LA PARRILLA

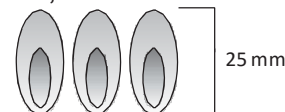
1. Gire la perilla a la posición "OFF".
2. Gire la perilla de control del cilindro de propano a la posición "OFF".  
**PRECAUCIÓN: NO INTENTE** volver a encender la parrilla sin seguir todas las instrucciones de encendido.
3. Deje que el cuerpo de la parrilla se enfríe durante al menos 30 minutos antes de moverla o transportarla.



### CARACTERÍSTICAS DE LA LLAMA

Verifique que las características de la llama del quemador sean las correctas. Las llamas del quemador deben ser azules y estables sin puntas amarillas, ruido excesivo ni movimientos. Para corregir las características de la llama, se deben seguir los siguientes pasos:

- Gire las perillas de control y las válvulas del cilindro de propano líquido hasta la posición "OFF".
- Deje enfriar la parrilla y los quemadores.
- Si la llama es amarilla (sin suficiente aire) gire en el tornillo regulador que está en la parte frontal del quemador en dirección contraria a las manecillas del reloj.
- Si la llama es ruidosa o si se eleva demasiado del quemador (demasiado aire), gire el tornillo regulador en dirección de las manecillas del reloj.
- Si estos ajustes no corrigen el problema, póngase en contacto con el Servicio al Cliente al 1-800-913-8999.



## **INSTRUCCIONES DE FUNCIONAMIENTO**

---

### **CÓMO USAR LA PARRILLA**

1. Encuentre una superficie nivelada para la parrilla.
2. Antes de cocinar, permita que la parrilla se caliente con la tapa cerrada durante 5 minutos.
3. Puede cocinar en la parrilla con cualquier clima. Si la temperatura es extremadamente baja o alta, los tiempos de cocción aumentarán o disminuirán ligeramente. Mantenga la parrilla alejada de vientos excesivos cuando la use.

## CUIDADO Y MANTENIMIENTO

Para garantizar una operación segura de la parrilla, el área de cocción debe mantenerse siempre libre de cualquier tipo de materiales combustibles, como gasolina u otros vapores o líquidos inflamables.

**Piezas externas de la parrilla** – Son de acero inoxidable. Pueden limpiarse fácilmente con agua jabonosa tibia o cualquier limpiador para acero inoxidable.

**Rejilla de cocción y bandeja de recolección de grasa** – La rejilla de cocción está hecha de acero inoxidable. La rejilla de cocción se debe cepillar con un cepillo de acero inmediatamente después de cocinar mientras la parrilla aún está tibia. La bandeja de recolección de grasa también es de acero inoxidable y se puede limpiar con un raspador plano, como una espátula.

### ADVERTENCIA

La bandeja de recolección de grasa debe mantenerse limpia y libre de acumulaciones excesivas para que la parrilla funcione correctamente y evitar las llamaradas.

**Quemadores principales de la parrilla** – Se debe tener extremo cuidado al retirar un quemador. Deberá estar debidamente centrado en el orificio antes de intentar encender nuevamente la parrilla. La frecuencia de limpieza dependerá de la frecuencia con que use la parrilla.

- Si no se coloca correctamente el quemador sobre el orificio, se podría ocasionar un incendio por detrás y debajo del panel de la válvula que dañaría la parrilla y sería inseguro hacerla funcionar.
- Antes de limpiar la parrilla, asegúrese de que las perillas del suministro de gas y de control estén en la posición “OFF” y de que los quemadores se hayan enfriado.

### **Para retirar los quemadores principales y limpiarlos:**

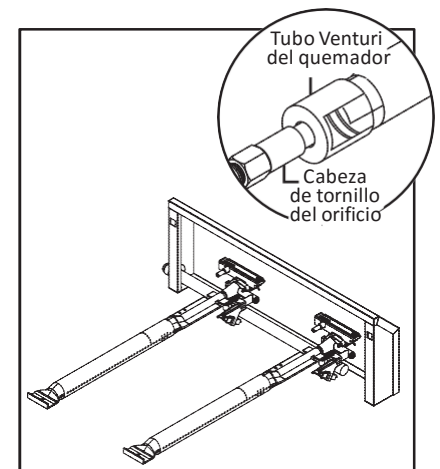
1. Ubique el tornillo del quemador en la parte posterior de la cámara de combustión.
2. Extraiga el tornillo y retire el quemador de la cámara de combustión.

### **Para limpiar los quemadores de la parrilla:**

1. Limpie el exterior del quemador con un cepillo de alambre. Utilice un raspador metálico para quitar manchas o suciedad difíciles.
2. Limpie los orificios del quemador obstruidos con un sujetapapeles enderezado. Nunca utilice un mondadientes de madera, ya que podría partirse y obstruir el orificio.
3. Verifique que no haya nidos de insectos ni insectos en los quemadores o en los tubos Venturi. Un tubo obstruido puede ocasionar un incendio debajo del panel de control principal o detrás de este.

### **Para volver a colocar los quemadores principales:**

1. Inserte el quemador sobre la válvula de gas del quemador principal.
2. Asegúrese de que la cabeza del tornillo del orificio esté adentro del tubo Venturi del quemador, como se muestra.
3. Alinee el orificio del tornillo del quemador con el orificio de la cámara de combustión, coloque el tornillo y apriételo.



## CUIDADO Y MANTENIMIENTO

---

**Cámara de combustión** – Use agua tibia jabonosa para limpiar esta área. No permita que la grasa se acumule.

**Orificio de drenaje** – El orificio de drenaje debe mantenerse libre de grasa y partículas de alimentos para permitir que los goteos escurran correctamente hasta la bandeja de recolección de grasa. Esto se debe hacer para mantener el funcionamiento adecuado de la parrilla.

**General** – Esta parrilla, como todos los equipos, se verá mejor y durará por más tiempo si se mantiene a salvo de las condiciones climáticas cuando no está en uso.



### PRECAUCIÓN

**NO** almacene cilindros de propano en áreas cerradas. Cuando use una cubierta o vaya a mover la parrilla, siempre espere alrededor de 30 minutos hasta que la parrilla se haya enfriado.

- No obstruya el flujo del aire de combustión ni de ventilación.
- Un tubo obstruido puede ocasionar un incendio debajo del electrodoméstico.
- Esta unidad debe guardarse en un área libre de materiales combustibles, gasolina y otros vapores o líquidos inflamables.
- Asegúrese de que todas las aperturas en el cuerpo de la parrilla estén libres de bloqueos o residuos y que no haya objetos o materiales bloqueando el flujo de combustión o ventilación. Asegúrese de que las patas estén en la posición erguida cuando use la parrilla.
- Revise las aberturas de entrada de aire del quemador (detrás del protector de la entrada en el extremo derecho del cuerpo de la parrilla) para detectar nidos de insectos o bloqueos. Asegúrese de que las ranuras del tubo del quemador estén despejadas.
- Cuando la parrilla no esté en uso, gire la perilla de control a la posición "OFF" y retire el cilindro de propano del regulador. Retire el regulador del quemador. Solo para uso en exteriores, si se almacena en interiores, retire el cilindro de propano y almacénelo en exteriores. Los cilindros de propano se deben almacenar en el exterior y fuera del alcance de los niños.

### IMPORTANTE

**Primer uso** – Es importante que se encienda la parrilla y se deje calentar durante al menos 30 minutos antes de colocar los alimentos en la rejilla de cocción. Es normal que aparezca algo de humo durante el primer uso de la parrilla. Luego del calentamiento inicial, la parrilla está lista para usarse. Se puede usar un aceite en aerosol para cocinar en las rejillas de cocción y así poder limpiarla con mayor facilidad.

**ESTE ELECTRODOMÉSTICO DE COCINA ES SOLO PARA USO EN EXTERIORES Y NO SE DEBE USAR EN EDIFICIOS, GARAJES NI OTRAS ÁREAS CERRADAS**

### INSTRUCCIONES PARA MOVERLA



### PRECAUCIÓN

**NUNCA** mueva la parrilla cuando el quemador está encendido.

Asegúrese de que la perilla de control esté en la posición "OFF". Desconecte el cilindro de propano del regulador. Retire el regulador de la parrilla. Asegúrese de que la parrilla se haya enfriado completamente durante al menos 30 minutos. Cierre la tapa y asegure el pestillo. Coloque las patas en la posición hacia abajo. Use la manija para transportar la parrilla.

**Nota:** Se recomienda dejar la bandeja de recolección de grasa en su lugar fijada a la parte inferior de la parrilla, ya que durante el transporte podría seguir goteando algo de grasa desde el orificio de drenaje.

## SOLUCIÓN DE PROBLEMAS

Si tiene preguntas relacionadas con el producto, llame al Servicio al Cliente al: 1-800-913-8999, de lunes a viernes de 8 a.m. a 5 p.m.



### ADVERTENCIA

Arañas e insectos pueden anidar dentro de los quemadores de la parrilla y alterar el flujo de gas. Esta condición, muy peligrosa, podría ocasionar un incendio detrás del panel de la válvula, que podría dañar la parrilla y hacer que su funcionamiento fuera inseguro. Inspeccione la parrilla al menos dos veces al año o inmediatamente después de que ocurran las siguientes condiciones:

1. Se percibe olor a gas y las llamas del quemador son amarillas.
2. La parrilla no levanta temperatura.
3. La parrilla no calienta de manera uniforme.
4. Los quemadores producen estallidos.

**Si la parrilla no funciona correctamente, use la siguiente lista de verificación antes de ponerse en contacto con el distribuidor para obtener servicio.**

PROBLEMA	ACCIÓN CORRECTIVA
La parrilla no enciende.	<ol style="list-style-type: none"><li>1. Revise para ver si el cilindro de propano líquido está vacío.</li><li>2. Revise los puertos del quemador para verificar si hay bloqueos. Use un cepillo de alambre suave para despejar los puertos obstruidos.</li><li>3. Revise el orificio del gas en el quemador para verificar si hay una obstrucción. Si el orificio está bloqueado, limpie con una aguja o un alambre fino.</li></ol> <p><b>NUNCA USE UN MONDADIENTES DE MADERA.</b></p>
La llama del quemador es amarilla o naranja y hay olor a gas.	<ol style="list-style-type: none"><li>1. Revise si hay arañas o insectos.</li><li>2. Llame al Servicio al Cliente al 1-800-913-8999.</li></ol>
Poco calor con la perilla de control en la posición "HIGH".	<ol style="list-style-type: none"><li>1. Asegúrese de que el área de la parrilla esté libre de polvo.</li><li>2. Asegúrese de que el quemador y el orificio estén limpios.</li><li>3. Revise si hay arañas o insectos.</li><li>4. ¿Hay un suministro de gas suficiente?</li><li>5. ¿Se precalentó la parrilla durante 15 minutos?</li></ol>

## **GARANTÍA**

---

El fabricante garantiza solamente al propietario/comprador original que este producto (Modelo N.º 820-0033) no tendrá defectos de mano de obra ni materiales después de realizar un ensamblaje correcto y en condiciones de uso doméstico normal y razonable durante los períodos que se indican a continuación y a partir de la fecha de compra. El fabricante se reserva el derecho de exigir pruebas fotográficas del daño, o de exigir la devolución de las piezas defectuosas mediante envío postal prepagado por parte del cliente para que su revisión y examinación.

- **QUEMADORES PRINCIPALES:** 3 años de garantía LIMITADA contra perforaciones.
- **CARRITO:** 1 año de garantía LIMITADA contra perforaciones; no cubre problemas estéticos, como corrosión de la superficie, rayones y óxido.
- **PIEZAS:** 1 año de garantía LIMITADA (incluye, entre otros, válvulas, estructura, carcasa, panel de control, encendedor, regulador y mangueras). \*No cubre desportilladuras, rayones, quebraduras, corrosión u oxidación de la superficie.

Una vez que el cliente haya presentado el comprobante de compra como se indica aquí, el Fabricante reparará o reemplazará las piezas que se ha demostrado que estaban defectuosas dentro del período de la garantía aplicable. Las piezas necesarias para realizar dicha reparación o reemplazo no tendrán costo para usted, a excepción de los gastos de envío, siempre y cuando el propietario se encuentre dentro del período de garantía a partir de la fecha de compra original. El cliente/comprador original será responsable de todos los cargos de envío de las piezas reemplazadas en virtud de los términos de esta garantía limitada. Esta garantía se aplica solo en Estados Unidos, solo está disponible para el propietario original del producto y no es transferible. El fabricante exige un comprobante razonable de la fecha de compra. Por lo tanto, debe conservar su recibo y/o factura de venta. Si la unidad se obtuvo como un presente, pídale a quién la adquirió que envíe el recibo en su nombre a la dirección indicada a continuación. Las piezas defectuosas o faltantes que están sujetas a esta garantía limitada no se reemplazarán si no se tiene un comprobante de compra o registro. Esta garantía limitada se aplica a la funcionalidad del producto SOLAMENTE y no cubre problemas estéticos como rayones, hendiduras, corrosiones o decoloraciones provocadas por el calor, limpiadores abrasivos y químicos, o por herramientas utilizadas durante el ensamblaje o la instalación del electrodoméstico, oxidación de la superficie o la decoloración de las superficies de acero inoxidable. La oxidación y corrosión de la superficie o el desportillado de la pintura en polvo sobre piezas de metal que no afectan la integridad estructural del producto no se consideran defectos de mano de obra ni en los materiales y no están cubiertos por esta garantía. Esta garantía limitada reembolsará costos debido a inconvenientes, de alimentos, por lesiones personales o daño a la propiedad. Si no hay una pieza de repuesto original disponible, se enviará una pieza de repuesto comparable. Usted será responsable de todos los cargos de envío de las piezas reemplazadas en virtud de los términos de esta garantía limitada.

### **CONCEPTOS POR LOS QUE EL FABRICANTE NO PAGARÁ:**

- Las llamadas de servicio a su domicilio.
- Las reparaciones cuando el producto se utiliza para fines que no son los normales de un hogar o residencia de una familia.
- Daños producto de accidentes, alteraciones, uso indebido, falta de mantenimiento o limpieza, maltrato, incendio, inundación, desastres naturales, instalación incorrecta e instalación que no cumpla con los códigos eléctricos o de plomería, o el uso de productos no aprobados por el fabricante.
- Toda pérdida de alimentos que se deba a fallas del producto.

## **GARANTÍA**

---

- Piezas de repuesto o costos de mano de obra de reparación para unidades que funcionan fuera de Estados Unidos o Canadá.
- Retiro y entrega del producto.
- Costos de franqueo o de procesamiento de fotografías enviadas como documentación.
- Reparaciones de piezas o sistemas como consecuencia de modificaciones sin autorización que se hayan hecho al producto.
- Retiro o reinstalación del producto.
- Costos de envío, estándar o rápido, de piezas con o sin garantía y de repuesto.

### **EXENCIÓN DE GARANTÍAS LIMITADAS; LIMITACIÓN DE SOLUCIONES**

La reparación o el reemplazo de las piezas defectuosas es la única solución en virtud de los términos de esta garantía limitada. El fabricante no será responsable de ningún daño accidental o resultante que surja del incumplimiento de esta garantía limitada o cualquier garantía implícita aplicable, o por fallas o daños provocados por desastres naturales, cuidados y mantenimientos inadecuados, incendios por grasa, accidentes, alteraciones, reemplazo de piezas realizado por personas ajenas al fabricante, mal uso, transporte, uso comercial, maltrato, entornos hostiles (inclemencias del tiempo, catástrofes naturales, alteraciones ocasionadas por animales), instalación inapropiada o que no cumpla con los códigos locales o las instrucciones impresas del fabricante.

**ESTA GARANTÍA LIMITADA ES LA ÚNICA GARANTÍA EXPRESA ENTREGADA POR EL FABRICANTE. EL FABRICANTE NO GARANTIZA NINGUNA ESPECIFICACIÓN O DESCRIPCIÓN DEL RENDIMIENTO DEL PRODUCTO SIN IMPORTAR DÓNDE APAREZCAN A EXCEPCIÓN DE LO QUE SE ESTABLECE EN ESTA GARANTÍA LIMITADA. CUALQUIER PROTECCIÓN DE LA GARANTÍA IMPLÍCITA QUE SURJA SEGÚN LAS LEYES DE CUALQUIER ESTADO, INCLUIDA LA GARANTÍA DE COMERCIABILIDAD O DE IDONEIDAD PARA UN FIN O USO PARTICULAR ESTÁ, POR LO TANTO, LIMITADA EN DURACIÓN A LA DURACIÓN DE ESTA GARANTÍA LIMITADA.**

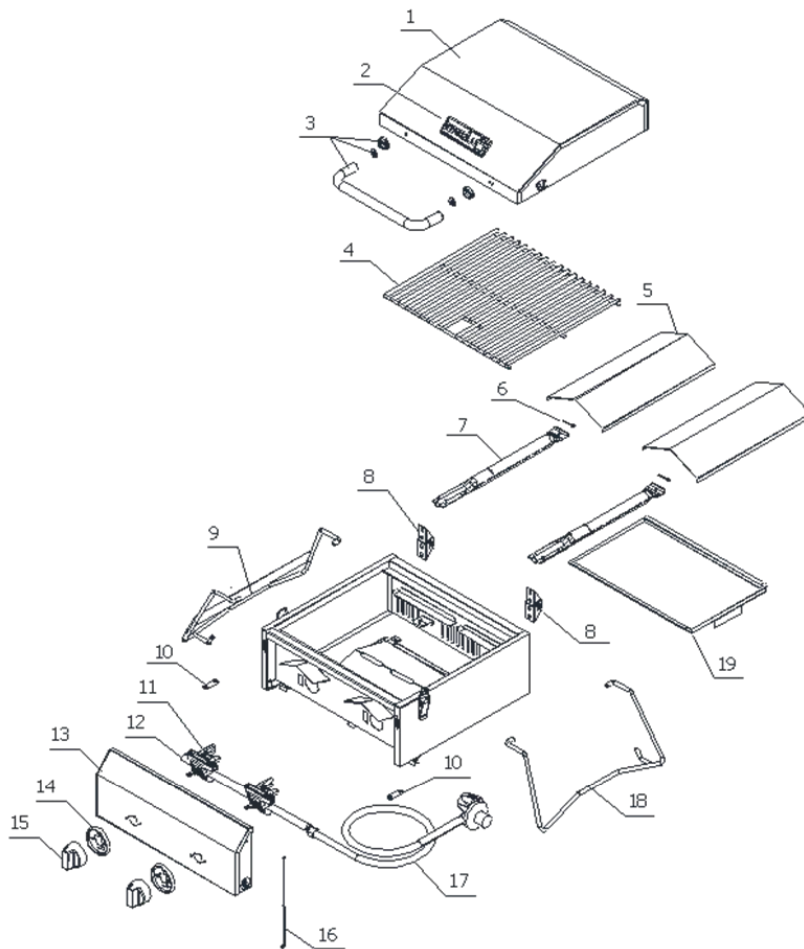
Ni los distribuidores ni el establecimiento que ofrece este producto tienen autoridad alguna para otorgar garantías adicionales o prometer otras soluciones adicionales o contrarias a las establecidas anteriormente. La responsabilidad máxima del fabricante, en todos los casos, no superará el precio de compra documentado del producto que el cliente original pagó. Esta garantía se aplica solo a unidades compradas a un vendedor minorista o revendedor autorizado. NOTA: Algunos estados no permiten la exclusión o limitación de los daños accidentales o resultantes, de modo que es posible que las limitaciones o exclusiones anteriores no se apliquen en su caso; esta garantía limitada le otorga derechos legales específicos tal como se establece aquí, pero podría tener también otros derechos que varían según el estado.

Todas las devoluciones del cliente, los pedidos de piezas, las preguntas generales y la ayuda con la solución de problemas se pueden obtener llamando al 1-800-913-8999, de lunes a viernes de 8 a.m. a 5 p.m., hora estándar del Este.



## LISTA DE PIEZAS DE REPUESTO

Para obtener piezas de repuesto, llame a nuestro Departamento de Servicio al Cliente all 1-800-913-8999, de lunes a viernes de 8 a.m. a 5 p.m.



PIEZA	DESCRIPCIÓN	PIEZA #
1	Tapa principal	820-0033-01
2	Logotipo	820-0033-02
3	Ensamble de la manija de la tapa principal	820-0033-03
4	Rejilla de cocción con orificio	820-0033-04
5	Difusor de llama	820-0033-05
6	Ensamble del pasador del quemador	820-0033-06
7	Quemador principal	820-0033-07
8	Bisagra de la tapa principal	820-0033-08
9	Pata izquierda	820-0033-10
10	Conector del panel de control	820-0033-11

PIEZA	DESCRIPCIÓN	PIEZA #
11	Válvula de gas	820-0033-12
12	Tubo colector principal	820-0033-13
13	Panel de control principal	820-0033-14
14	Bisel de la perilla de control	820-0033-15
15	Perilla de control	820-0033-16
16	Varilla de encendido	820-0033-17
17	Regulador, PL	820-0033-18
18	Pata derecha	820-0033-19
19	Bandeja de recolección de grasa	820-0033-20

Impreso en China